



US00D787061S

(12) **United States Design Patent** (10) **Patent No.:** **US D787,061 S**
Jo et al. (45) **Date of Patent:** **** *May 16, 2017**

(54) **SCAN BODY FOR DENTAL IMPLANT PROCEDURES**

(71) Applicant: **DENTSPLY International Inc.**, York, PA (US)

(72) Inventors: **Jeremy E Jo**, Somerville, MA (US); **Jeffrey Miles Ragazzini**, Medford, MA (US); **James G Hannoosh**, West Barnstable, MA (US); **Terry G Lorber, II**, Swampscott, MA (US)

(73) Assignee: **Dentsply International, Inc.**, York, PA (US)

(*) Notice: This patent is subject to a terminal disclaimer.

(**) Term: **14 Years**

(21) Appl. No.: **29/493,588**

(22) Filed: **Jun. 11, 2014**

Related U.S. Application Data

(63) Continuation-in-part of application No. 14/228,373, filed on Mar. 28, 2014, now abandoned.

(51) **LOC (10) Cl.** **24-02**

(52) **U.S. Cl.**
USPC **D24/156**

(58) **Field of Classification Search**
USPC D24/155-157; 433/159, 166, 173, 174, 433/220, 221, 225; 439/271
See application file for complete search history.

(56) **References Cited**

U.S. PATENT DOCUMENTS

4,290,755 A * 9/1981 Scott 433/173
D273,984 S * 5/1984 Vlock D24/156

4,519,662 A * 5/1985 Riley et al. 439/271
4,820,159 A * 4/1989 Weissman 433/225
4,854,871 A * 8/1989 Weissman 433/166
D321,560 S * 11/1991 Miller D24/156
D342,314 S * 12/1993 Miller D24/156
D358,212 S * 5/1995 Sullivan D24/156
D366,115 S * 1/1996 Sullivan D24/156
5,669,772 A * 9/1997 Musikant et al. 433/221
5,775,910 A * 7/1998 Orrico 433/221
6,450,815 B1 * 9/2002 Weisman 433/220
7,306,461 B2 * 12/2007 Bell 433/159
D567,378 S * 4/2008 Nordahl et al. D24/156
D652,929 S * 1/2012 Sibhatu et al. D24/156
2003/0113691 A1 * 6/2003 Ben-Yaakov et al. 433/220

(Continued)

Primary Examiner — Charles Hanson

(74) *Attorney, Agent, or Firm* — McNeese Wallace & Nurick LLC

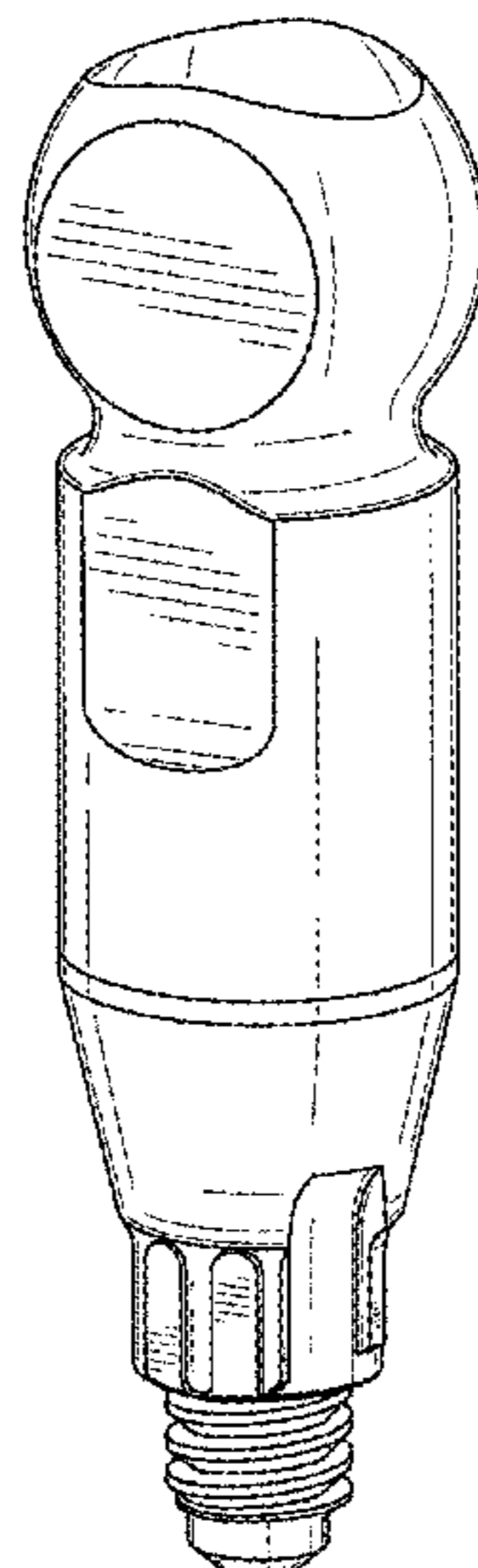
(57) **CLAIM**

The ornamental design for a scan body for dental implant procedures, as shown and described.

DESCRIPTION

FIG. 1 is a front perspective view of a scan body, showing our new design;
FIG. 2 is a front elevational view of the scan body of FIG. 1;
FIG. 3 is a rear elevational view of the scan body of FIG. 1;
FIG. 4 is a side elevational view of the scan body of FIG. 1;
FIG. 5 is a side elevational view of the scan body of FIG. 1 and showing the side opposite that of FIG. 4;
FIG. 6 is a top plan view of the scan body of FIG. 1; and,
FIG. 7 is a bottom plan view of the scan body of FIG. 1.
The broken line showing is included for the purpose of illustrating unclaimed subject matter and forms no part of the claimed design.

1 Claim, 4 Drawing Sheets



(56)

References Cited

U.S. PATENT DOCUMENTS

2003/0219700	A1 *	11/2003	Lax	433/221
2003/0235805	A1 *	12/2003	Lax	433/220
2013/0071814	A1 *	3/2013	Boehner et al.	433/220
2013/0089835	A1 *	4/2013	Jensen	433/174
2013/0108984	A1 *	5/2013	Zipprich	433/173
2014/0295374	A1	10/2014	Jo et al.	

* cited by examiner

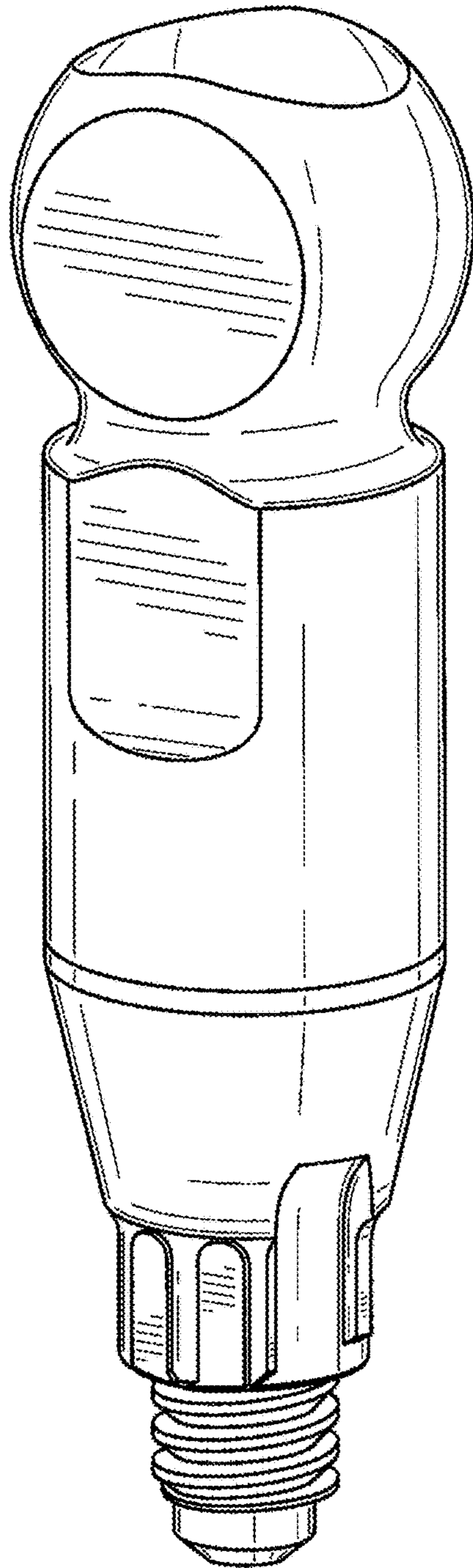


FIG. 1

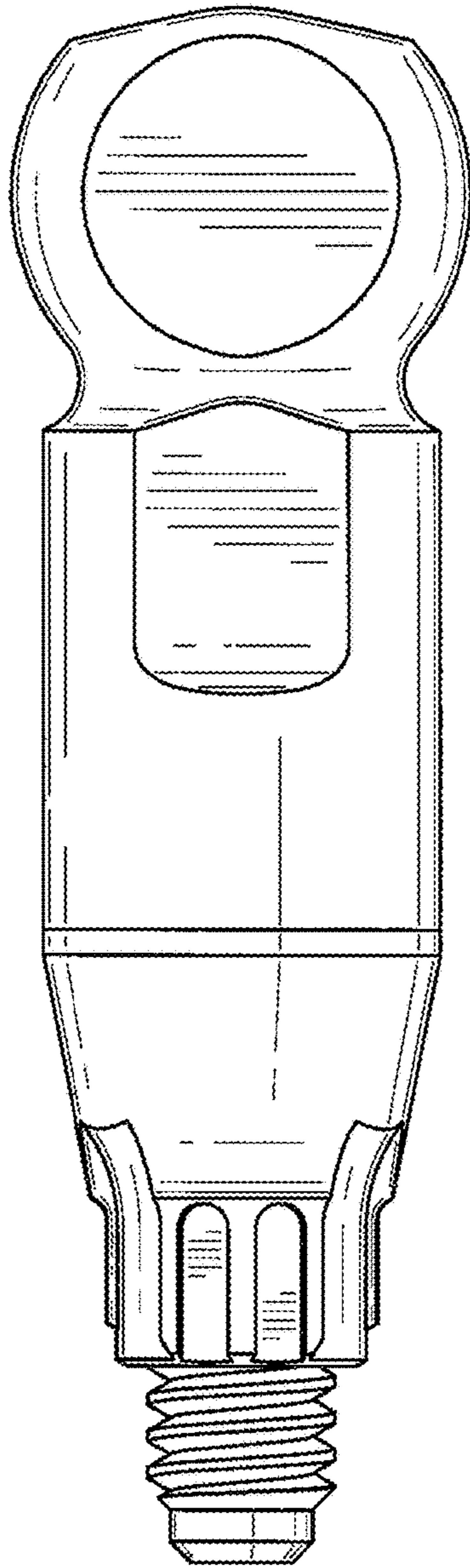


FIG. 2

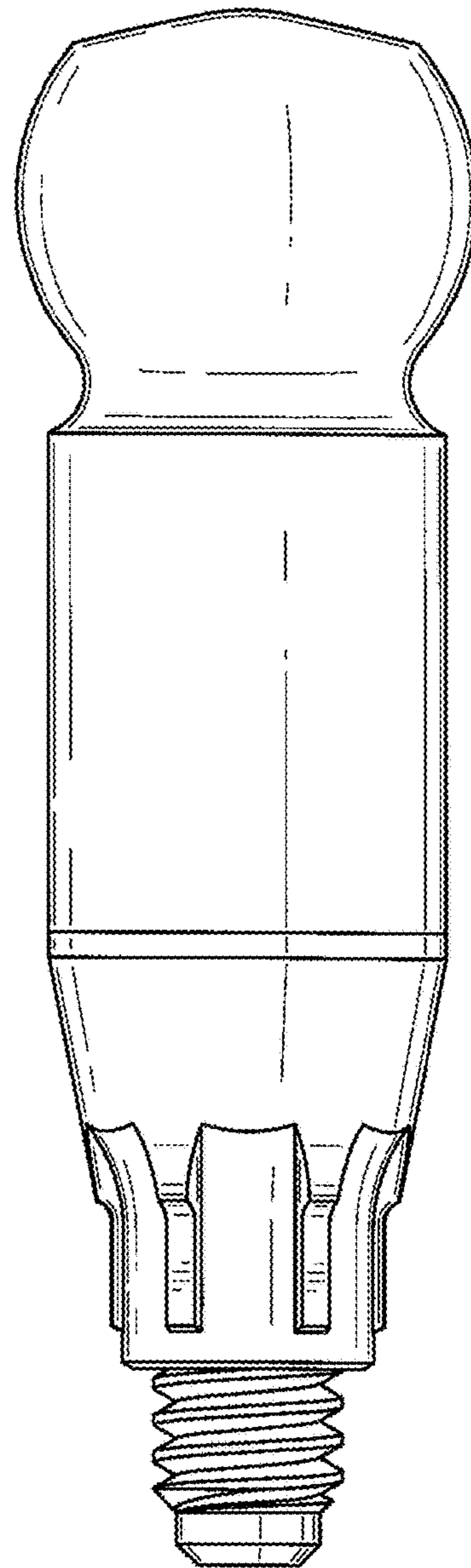


FIG. 3

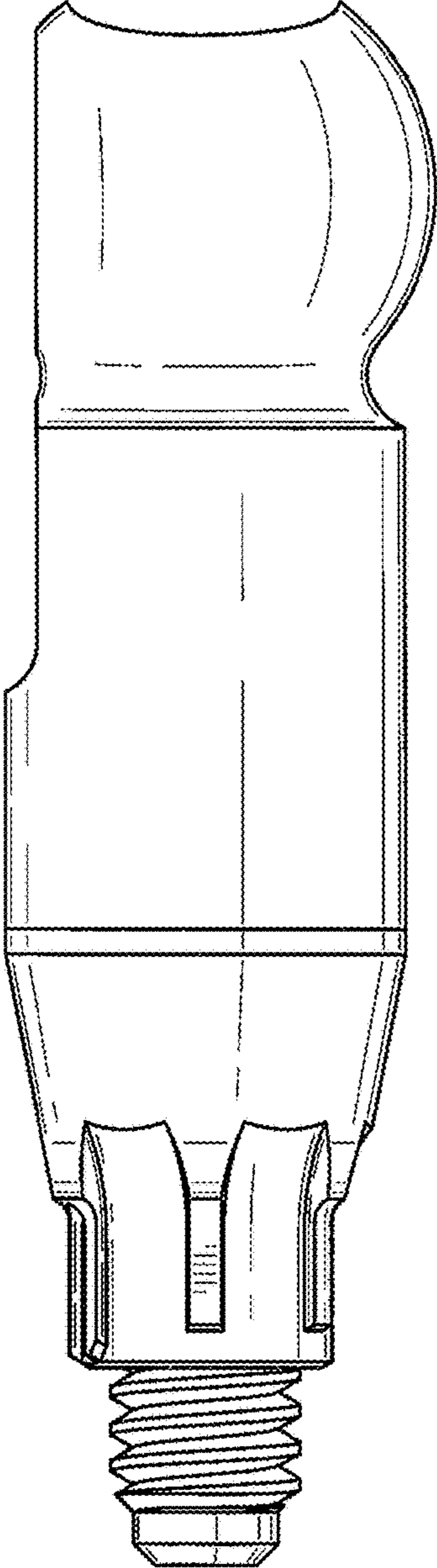


FIG. 4

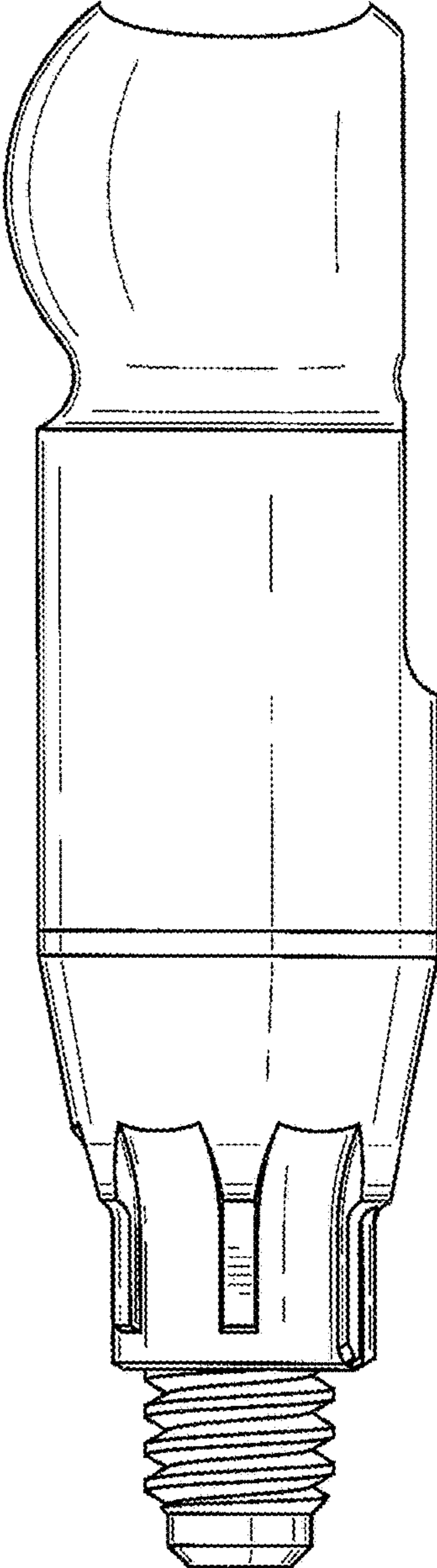


FIG. 5

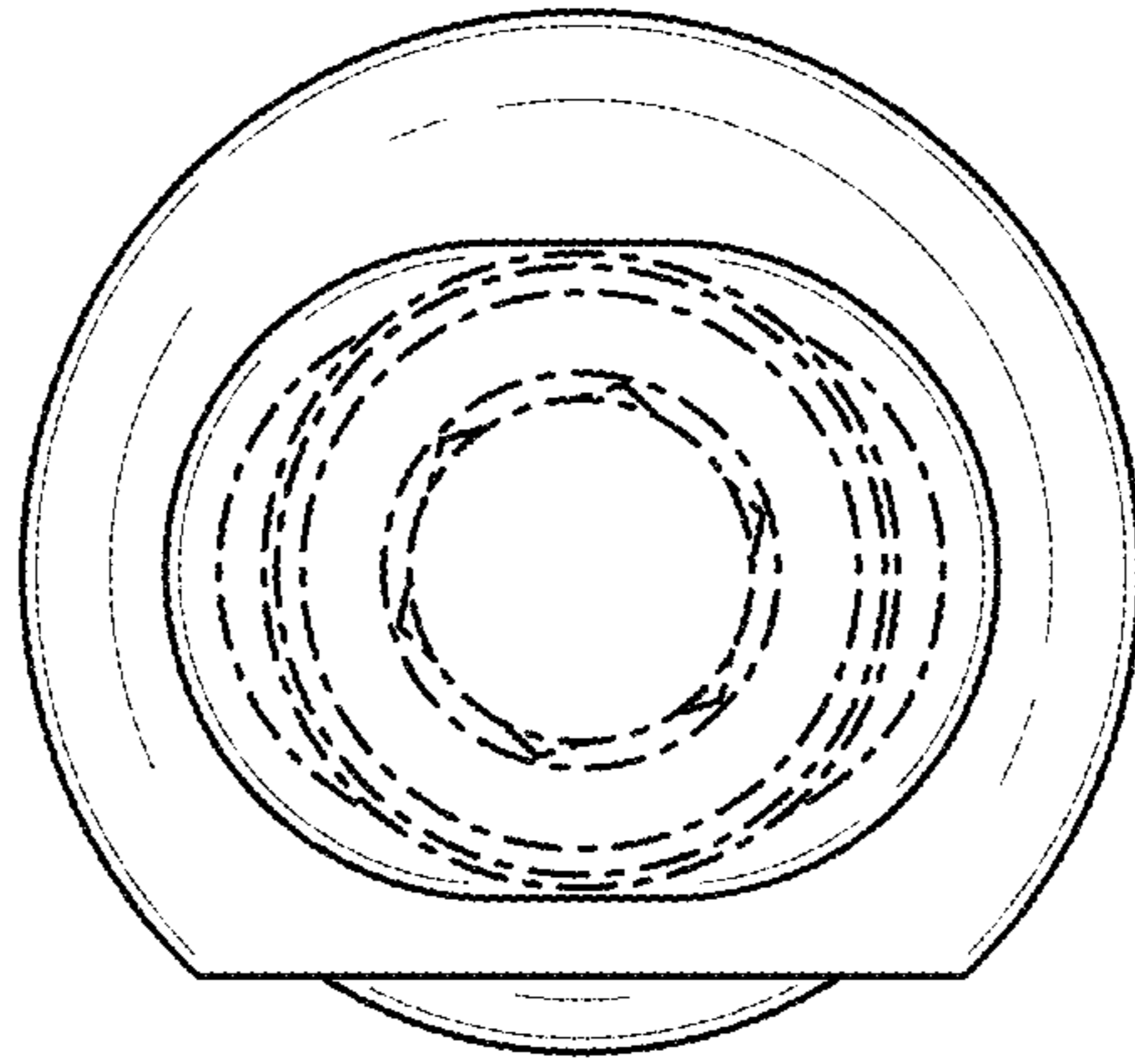


FIG. 6

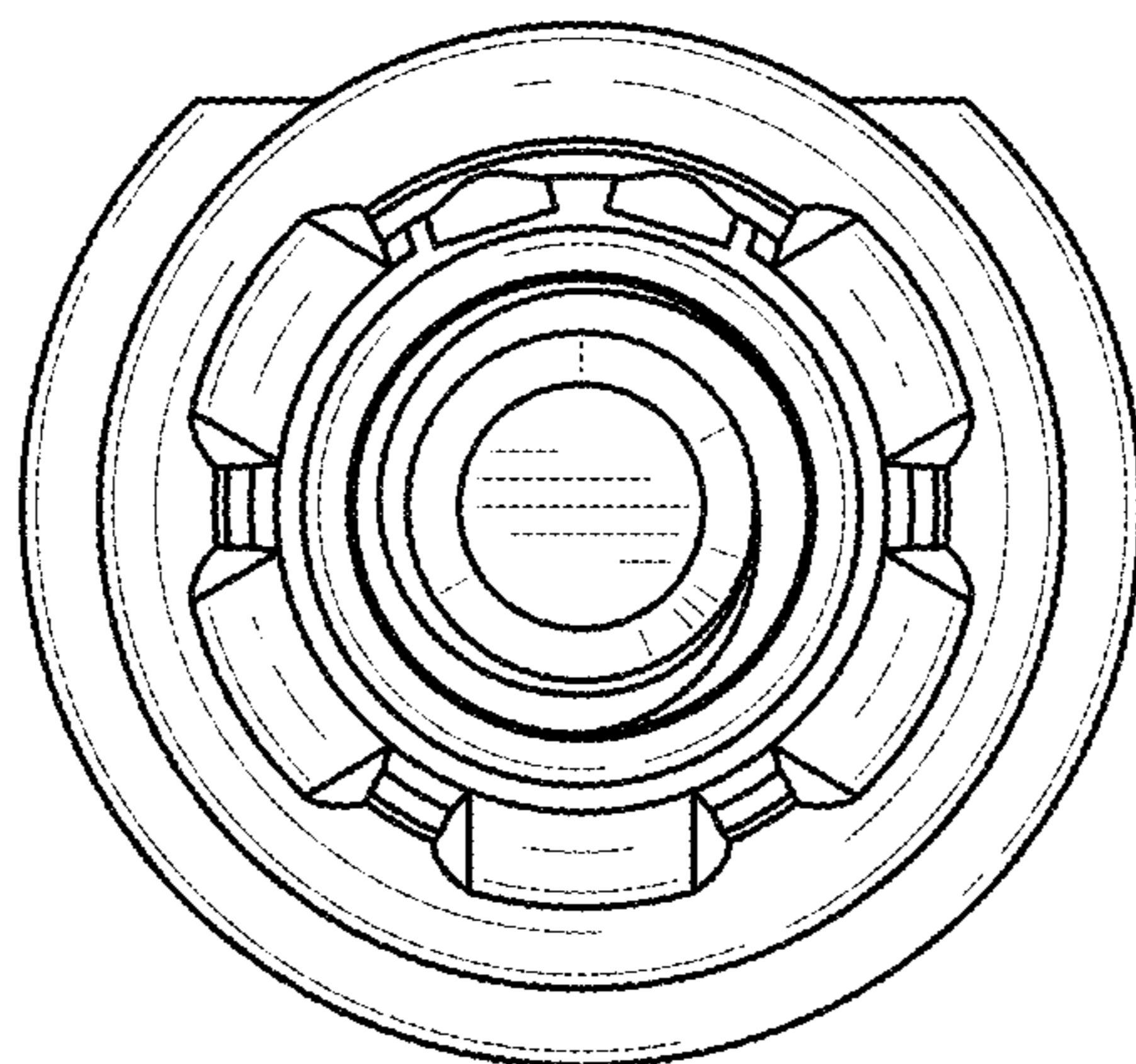


FIG. 7