



US00D787055S

(12) **United States Design Patent** (10) **Patent No.:** **US D787,055 S**
Ingman et al. (45) **Date of Patent:** **** May 16, 2017**

(54) **SCALP-TREATMENT APPARATUS**

D719,651 S * 12/2014 Hoffmann D24/133
D724,726 S * 3/2015 Prokop D24/133

(71) Applicant: **PILOGICS L.P.**, Haifa (IL)

* cited by examiner

(72) Inventors: **Dov Ingman**, Haifa (IL); **Erez Manor**, Herzlia (IL)

Primary Examiner — Ian Simmons

Assistant Examiner — Samantha Q Lawrence

(73) Assignee: **PILOGICS L.P.**, Haifa (IL)

(74) *Attorney, Agent, or Firm* — Marc Van Dyke; Fourth Dimension IP

(**) Term: **14 Years**

(57) **CLAIM**

The ornamental design for a scalp-treatment apparatus, as shown and described.

(21) Appl. No.: **29/493,657**

DESCRIPTION

(22) Filed: **Jun. 12, 2014**

(51) **LOC (10) Cl.** **24-02**

(52) **U.S. Cl.**

USPC **D24/133**

(58) **Field of Classification Search**

USPC D24/133, 134, 138, 144, 188; 604/21; 424/401; 607/139

See application file for complete search history.

FIG. 1 is a front view of a first embodiment of a scalp-treatment apparatus;
FIG. 2 is a back view thereof;
FIG. 3 is a right view thereof;
FIG. 4 is a left view thereof;
FIG. 5 is a top view thereof;
FIG. 6 is a bottom view thereof;
FIG. 7 is a perspective view thereof;
FIG. 8 is an enlarged view taken along the lines shown in FIG. 3; and,
FIG. 9 is an enlarged view taken along the lines shown in FIG. 6.

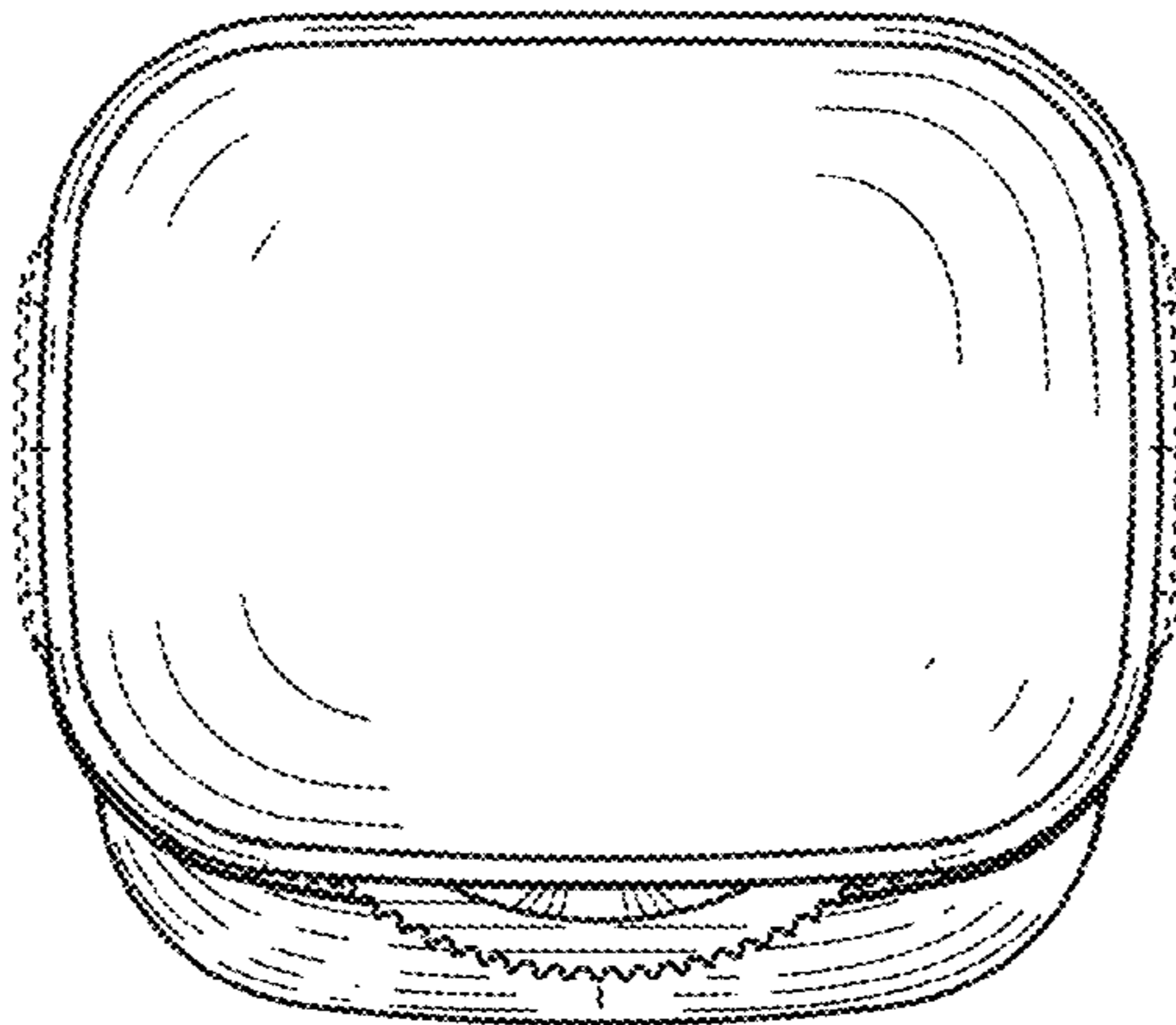
The broken lines shown in FIGS. 2-9 immediately adjacent to the shaded areas, represent the bounds of the claimed design, the bold dash-dot lines in a rectangular configuration represent the boundaries of the close-up sectional views in FIGS. 8-9 and all other broken lines shown in FIGS. 1-9 illustrate scalp-treatment apparatus that form no part of the claimed design.

(56) **References Cited**

U.S. PATENT DOCUMENTS

- D500,854 S * 1/2005 Eichel D24/133
- 7,194,316 B2 * 3/2007 Bousfield A61N 1/322
433/29
- D568,473 S * 5/2008 Ashiwa D24/133
- D645,204 S * 9/2011 Platek D28/44.1
- D664,295 S * 7/2012 Grabes D24/133
- D665,128 S * 8/2012 Kling D24/133
- D678,614 S * 3/2013 Yiu D24/133
- D678,783 S * 3/2013 Wilcox D24/119
- D686,370 S * 7/2013 Yiu D24/133
- D696,778 S * 12/2013 Liao D24/133

1 Claim, 9 Drawing Sheets



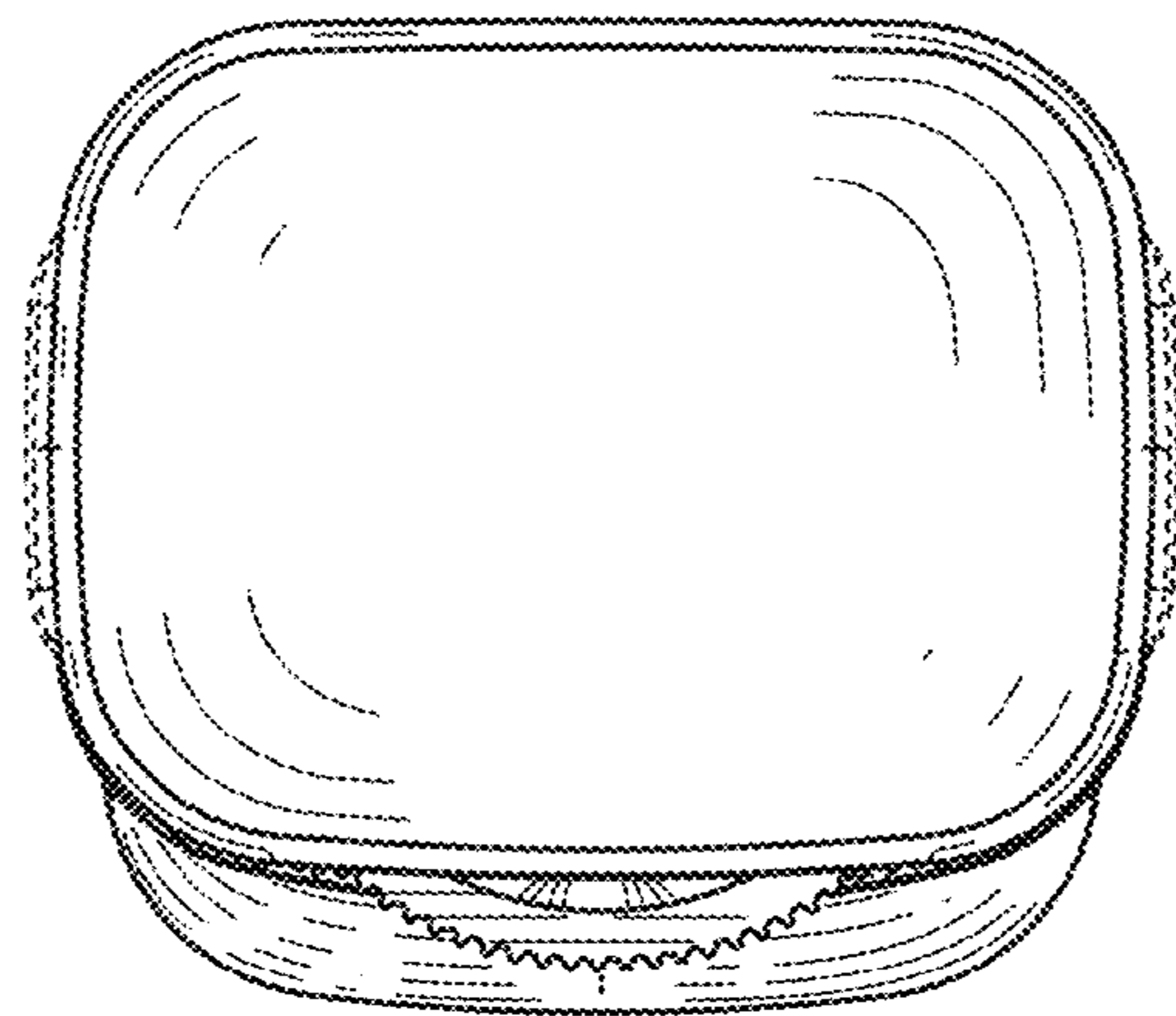


FIGURE 1

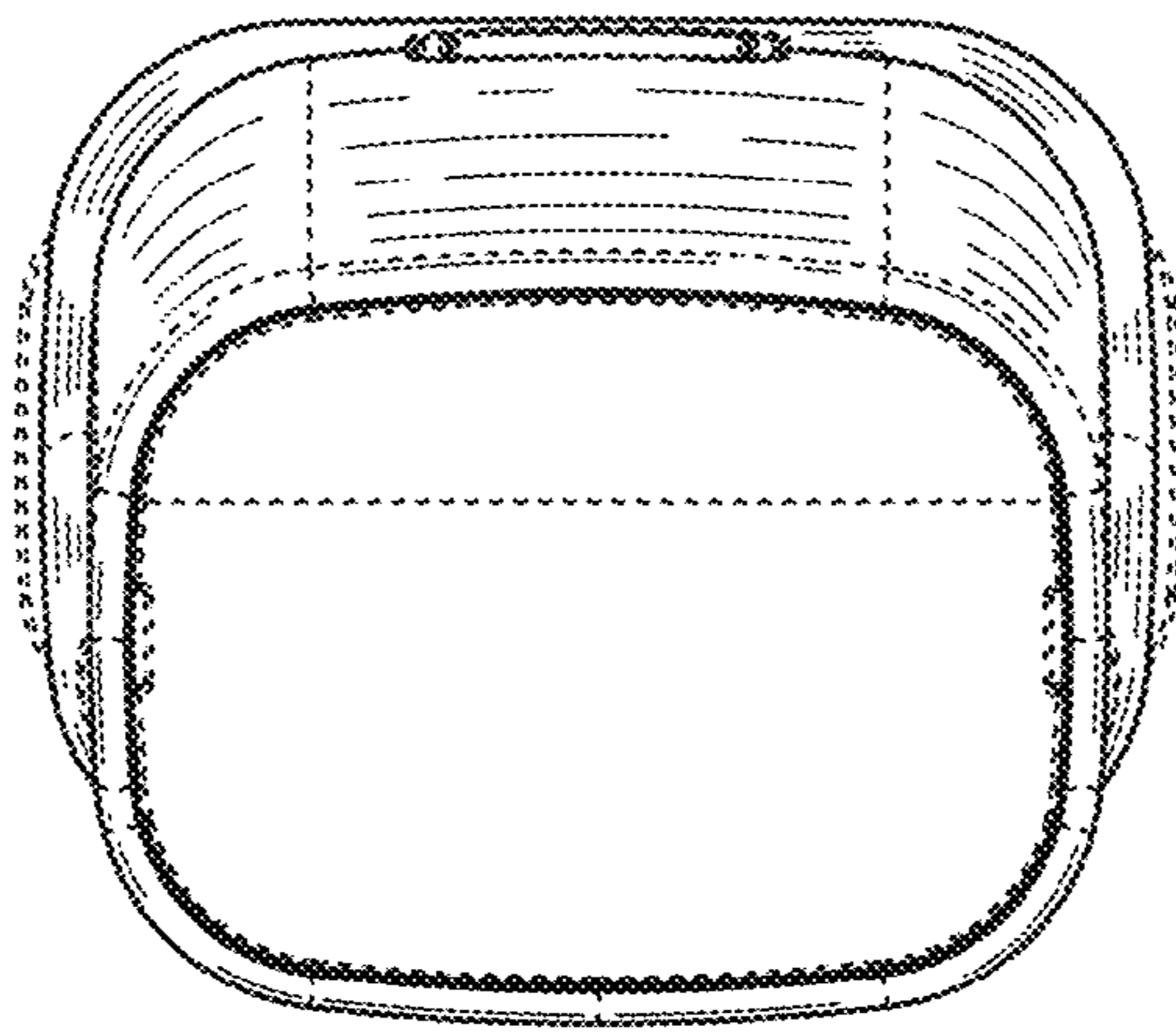


FIGURE 2

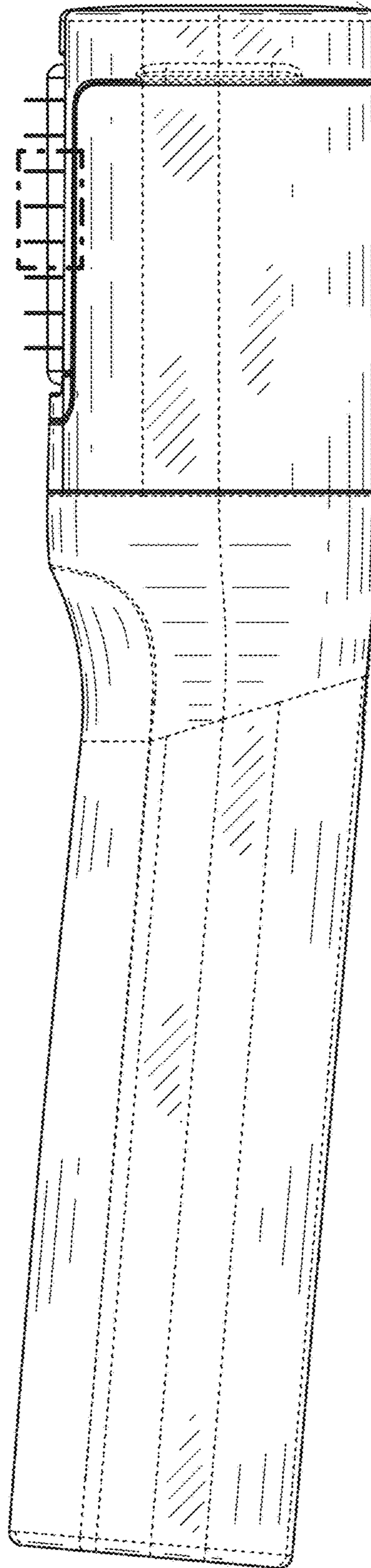


FIGURE 3

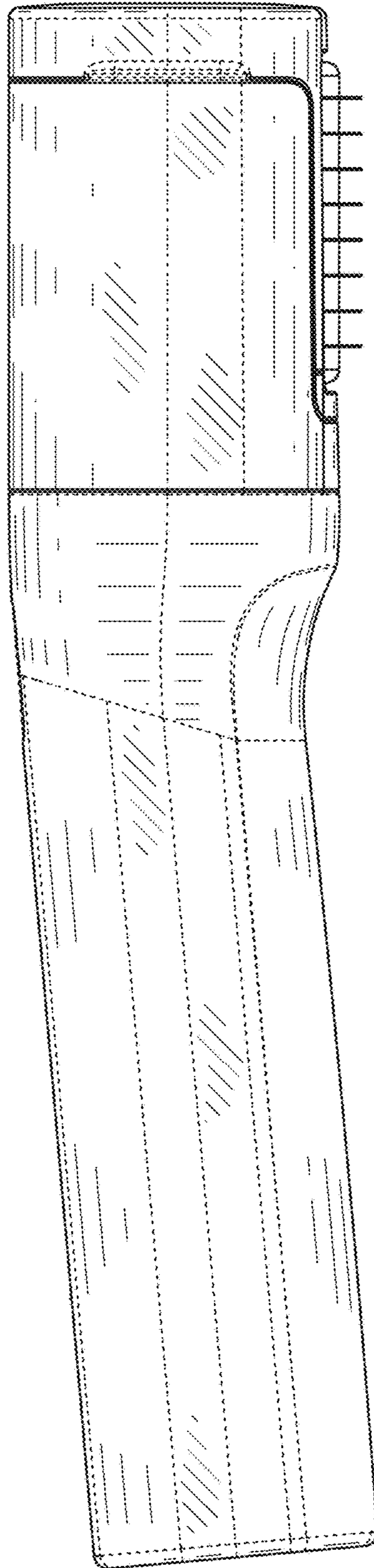


FIGURE 4

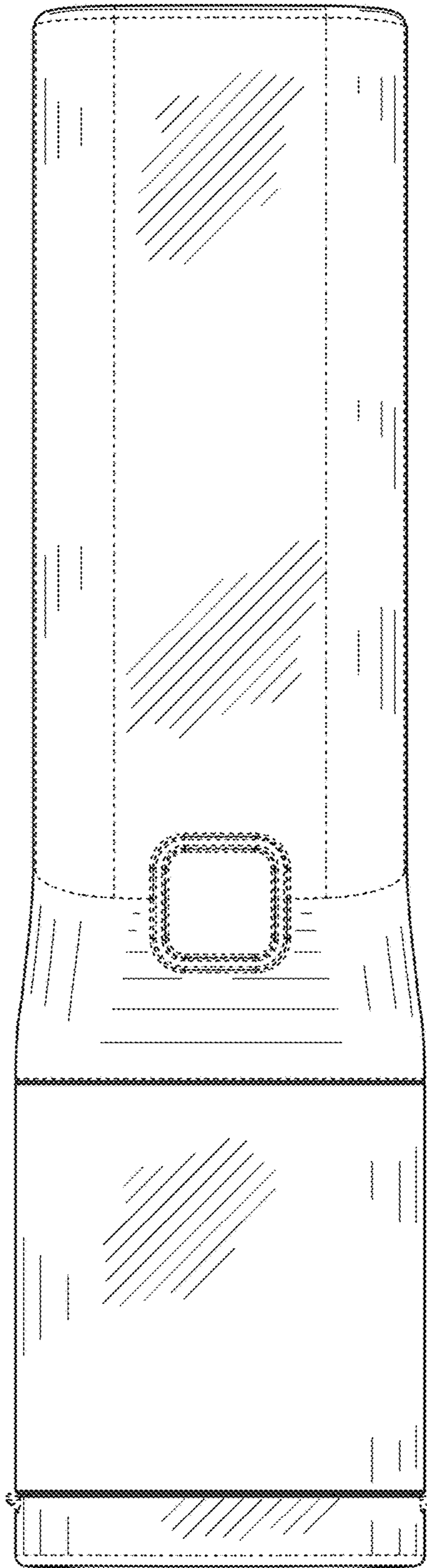


FIGURE 5

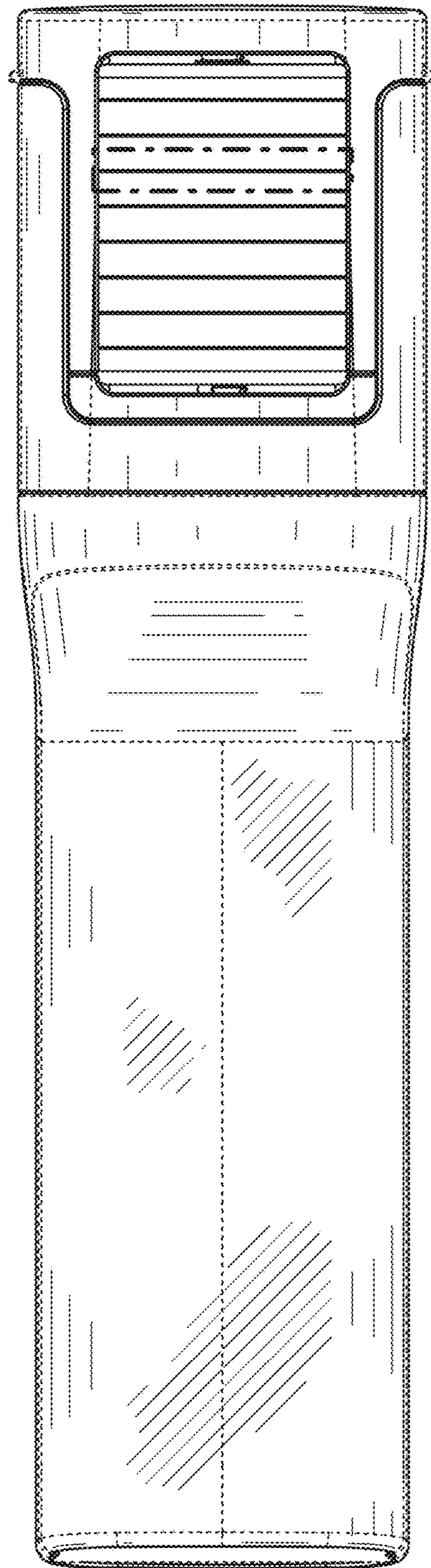


FIGURE 6

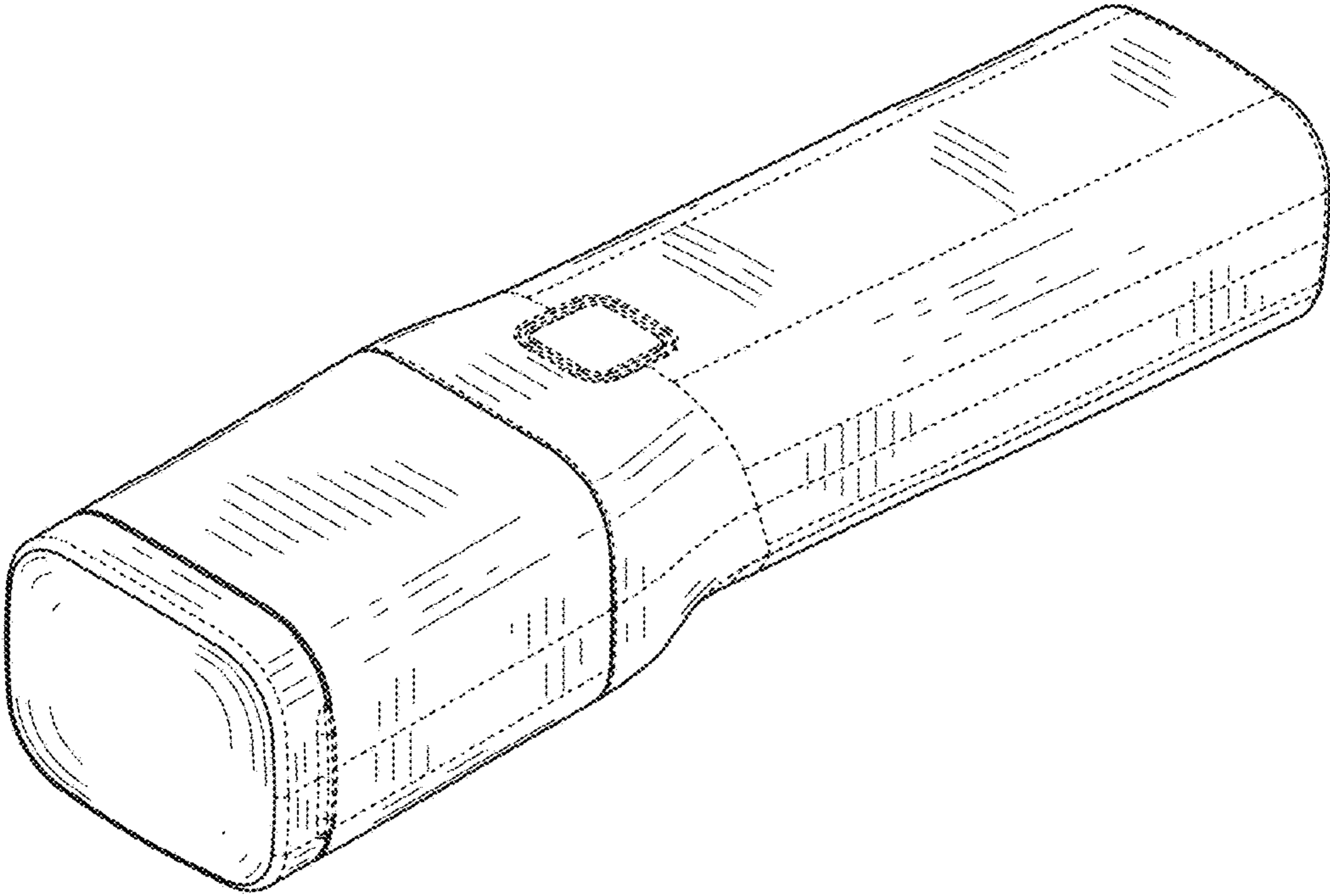


FIGURE 7

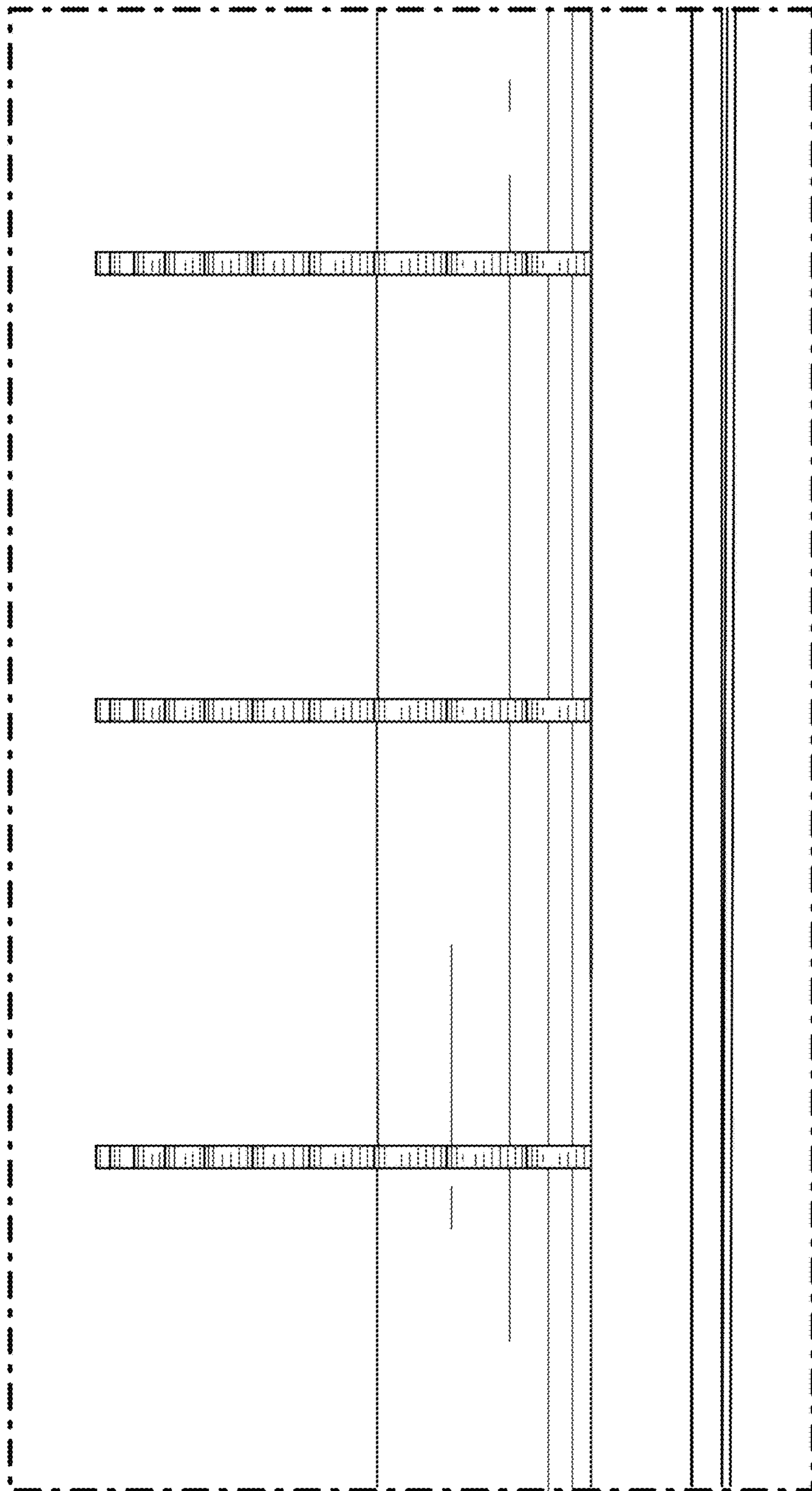


FIGURE 8

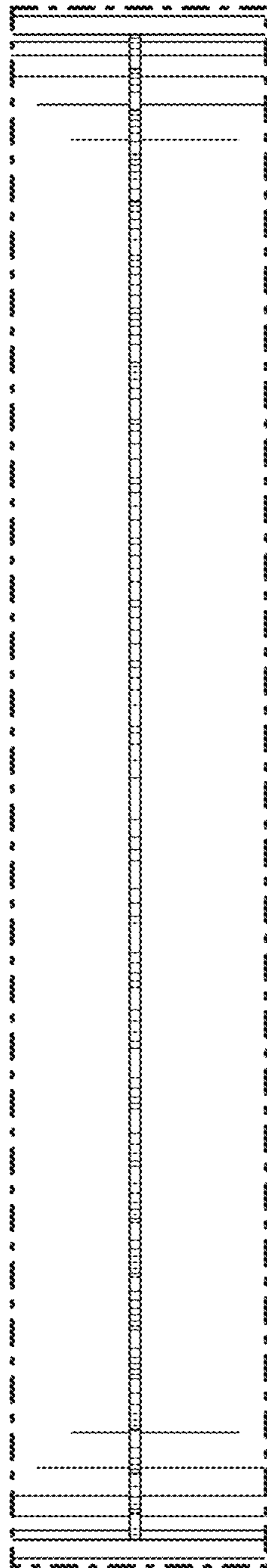


FIGURE 9