



US00D787054S

(12) **United States Design Patent**
Rini et al.

(10) **Patent No.:** **US D787,054 S**

(45) **Date of Patent:** **** May 16, 2017**

(54) **PEN NEEDLE HUB**

D406,643 S * 3/1999 Niedospial, Jr. D24/112
5,941,857 A 8/1999 Nguyen et al.
5,951,530 A 9/1999 Smedegaard et al.

(71) Applicant: **Becton, Dickinson and Company**,
Franklin Lakes, NJ (US)

(Continued)

(72) Inventors: **Christopher Rini**, Raleigh, NC (US);
Richard Klug, Roxboro, NC (US);
Ronald Pettis, Cary, NC (US); **David Huang**,
Hayward, CA (US); **Shresta Marigowda**,
Morton, PA (US); **Todd Sack**, Dover, DE (US);
Mark Bowen, Stow, MA (US); **David Schiff**,
Highland Park, NJ (US)

FOREIGN PATENT DOCUMENTS

WO WO 2009/089638 7/2009
WO WO 2010/090733 8/2010

(Continued)

(73) Assignee: **Becton, Dickinson and Company**,
Franklin Lakes, NJ (US)

OTHER PUBLICATIONS

Clickfine Pen Needles, <http://myclickfine.com/default.aspx> Downloaded Jun. 30, 2015.

(Continued)

(**) Term: **15 Years**

Primary Examiner — David Muller

(74) *Attorney, Agent, or Firm* — Dickinson Wright PLLC

(21) Appl. No.: **29/561,314**

(22) Filed: **Apr. 14, 2016**

(51) **LOC (10) Cl.** **24-02**

(52) **U.S. Cl.**
USPC **D24/130**

(58) **Field of Classification Search**
USPC D24/127–131, 112–114, 133, 186;
606/181, 185; 604/264, 523–528, 272,
604/187, 158, 164.01–164.11, 181, 184,
604/227; 600/101, 139, 143;
128/200.24, 207.14, 207.15
CPC A61M 25/00; A61M 39/00; A61M 27/00;
A61M 25/0043; A61M 25/0067; A61M
25/0097; A61F 2/958

See application file for complete search history.

(56) **References Cited**

U.S. PATENT DOCUMENTS

3,987,930 A * 10/1976 Fuson A61M 39/20
138/89

D347,894 S 6/1994 Hansen et al.
5,611,786 A 3/1997 Kirchofer et al.

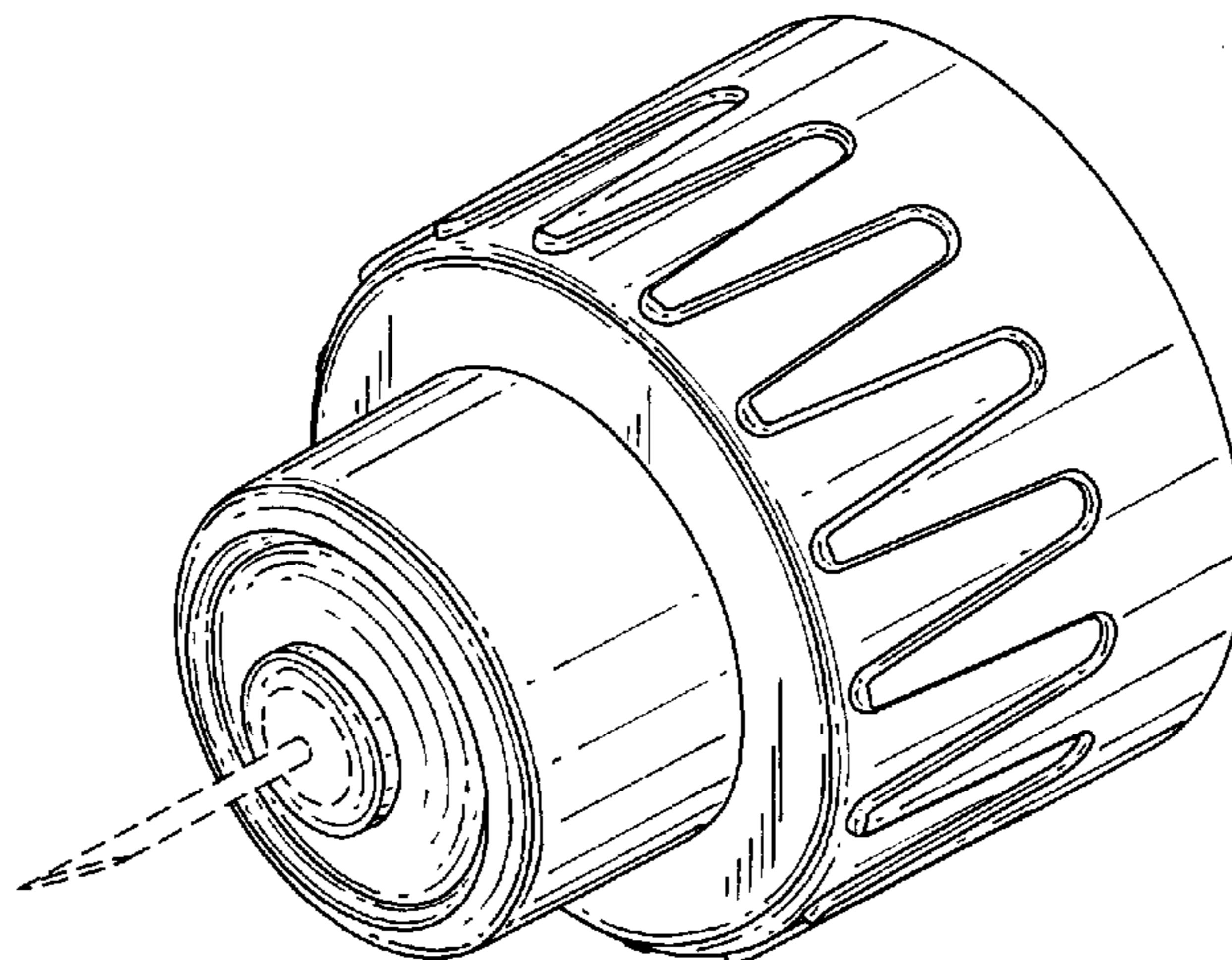
(57) **CLAIM**

The ornamental design for a pen needle hub, as shown and described.

DESCRIPTION

FIG. 1 is a bottom perspective view of a pen needle hub embodying our new design;
FIG. 2 is a top perspective view of the pen needle hub shown in FIG. 1;
FIG. 3 is a top view of the pen needle hub shown in FIGS. 1 and 2;
FIG. 4 is a side view of the pen needle hub shown in FIGS. 1-3;
FIG. 5 is a bottom view of pen needle hub shown in FIGS. 1-4; and,
FIG. 6 is a side cross-sectional view, taken along the line 6-6 in FIG. 3, of the pen needle hub shown in FIGS. 1-5.
The dashed broken lines in the drawings represent portions of the pen needle hub that form no part of the claimed design.

1 Claim, 3 Drawing Sheets



(56)

References Cited

U.S. PATENT DOCUMENTS

5,968,021 A 10/1999 Ejlersen
 5,971,966 A 10/1999 Lav
 D435,652 S * 12/2000 Nazarifar D23/262
 6,491,681 B1 * 12/2002 Kunis A61M 25/0138
 604/164.13
 D472,630 S * 4/2003 Douglas D24/108
 6,544,238 B1 4/2003 Smedegaard et al.
 D474,839 S * 5/2003 Francavilla D24/129
 6,843,783 B2 1/2005 Ooyauchi
 7,556,615 B2 7/2009 Pettis et al.
 7,632,253 B2 12/2009 Ooyauchi
 7,654,986 B2 2/2010 Klint et al.
 7,665,605 B2 2/2010 Erickson
 7,871,397 B2 1/2011 Schraga
 8,133,202 B2 3/2012 Marsh
 8,137,325 B2 3/2012 Klint et al.
 8,241,257 B2 8/2012 Wei
 8,287,492 B2 10/2012 Schraga
 D674,088 S * 1/2013 Lev D24/129
 D675,316 S 1/2013 Klint et al.
 8,529,518 B2 9/2013 Larsen et al.
 D691,261 S * 10/2013 Kawamura D24/130
 8,579,869 B2 11/2013 Klint et al.
 8,608,710 B2 * 12/2013 Zhao A61M 5/329
 604/115
 8,672,902 B2 3/2014 Ruan et al.
 8,715,248 B2 * 5/2014 McKinnon A61M 39/045
 422/50
 8,834,415 B2 9/2014 Schraga

D714,935 S * 10/2014 Nishioka D24/130
 8,858,507 B2 10/2014 Nielsen et al.
 8,900,186 B2 12/2014 Pettis et al.
 D736,914 S * 8/2015 Schultz D24/129
 D745,668 S 12/2015 Shiraishi et al.
 D750,775 S * 3/2016 Carrel D24/130
 2002/0128610 A1 9/2002 Owades
 2003/0050602 A1 3/2003 Pettis et al.
 2004/0111067 A1 6/2004 Kirchhofer
 2009/0069755 A1 3/2009 Horvath
 2012/0029440 A1 2/2012 Boyd et al.
 2012/0071835 A1 3/2012 Marshall et al.
 2015/0011974 A1 1/2015 Schraga
 2015/0051582 A1 2/2015 Pettis et al.
 2015/0297837 A1 10/2015 Schraga
 2015/0320941 A1 11/2015 Horvath

FOREIGN PATENT DOCUMENTS

WO WO 2014/167340 10/2014
 WO WO 2015/079219 6/2015
 WO WO 2015/085031 6/2015
 WO WO 2016/020655 2/2016
 WO WO 2016/024085 2/2016
 WO WO 2016/123494 8/2016

OTHER PUBLICATIONS

Meet NovoFine® Plus: The 32G 4 mm pen needle that makes injections a little friendlier, Dec. 2013.

* cited by examiner

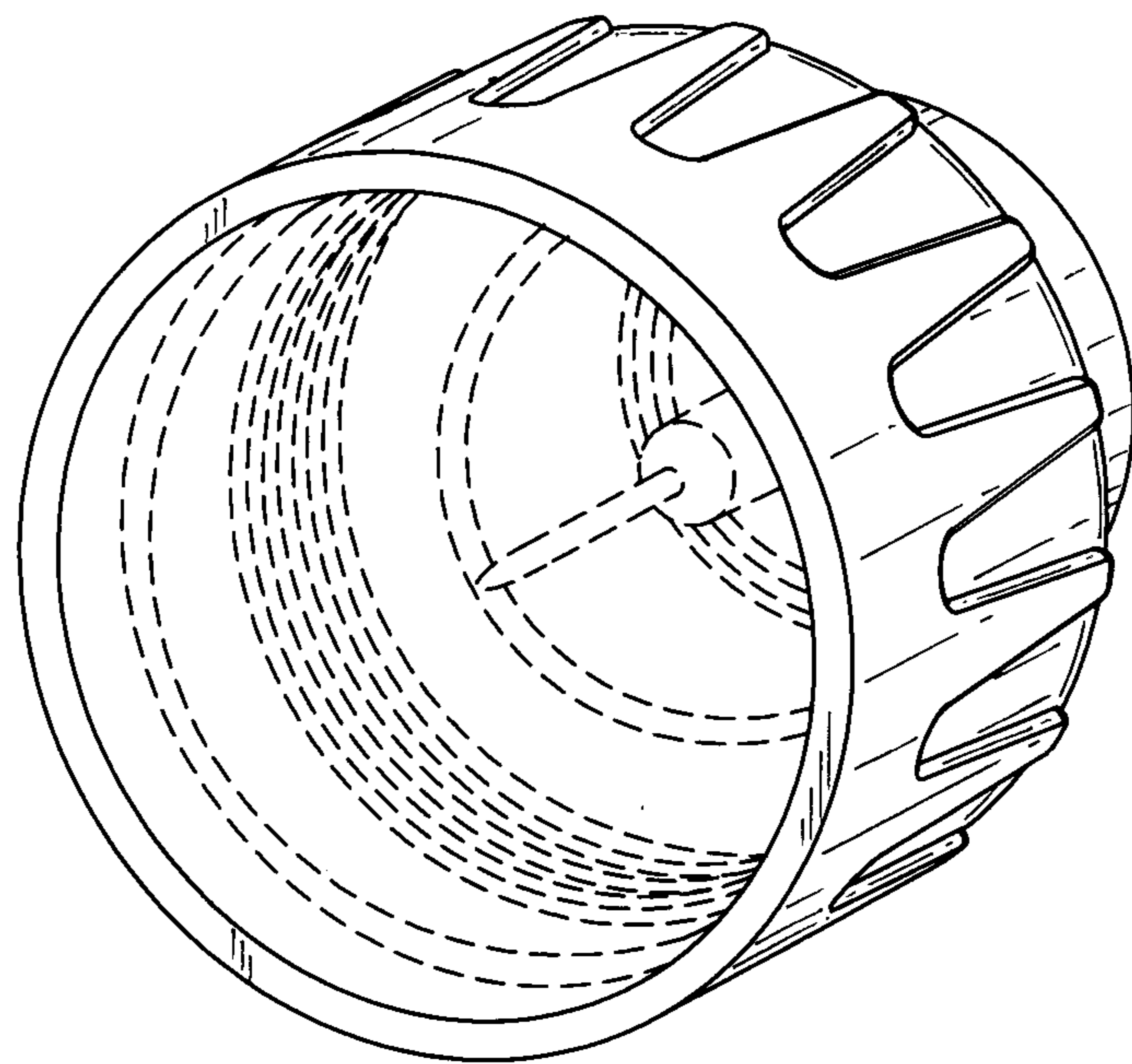


FIG. 1

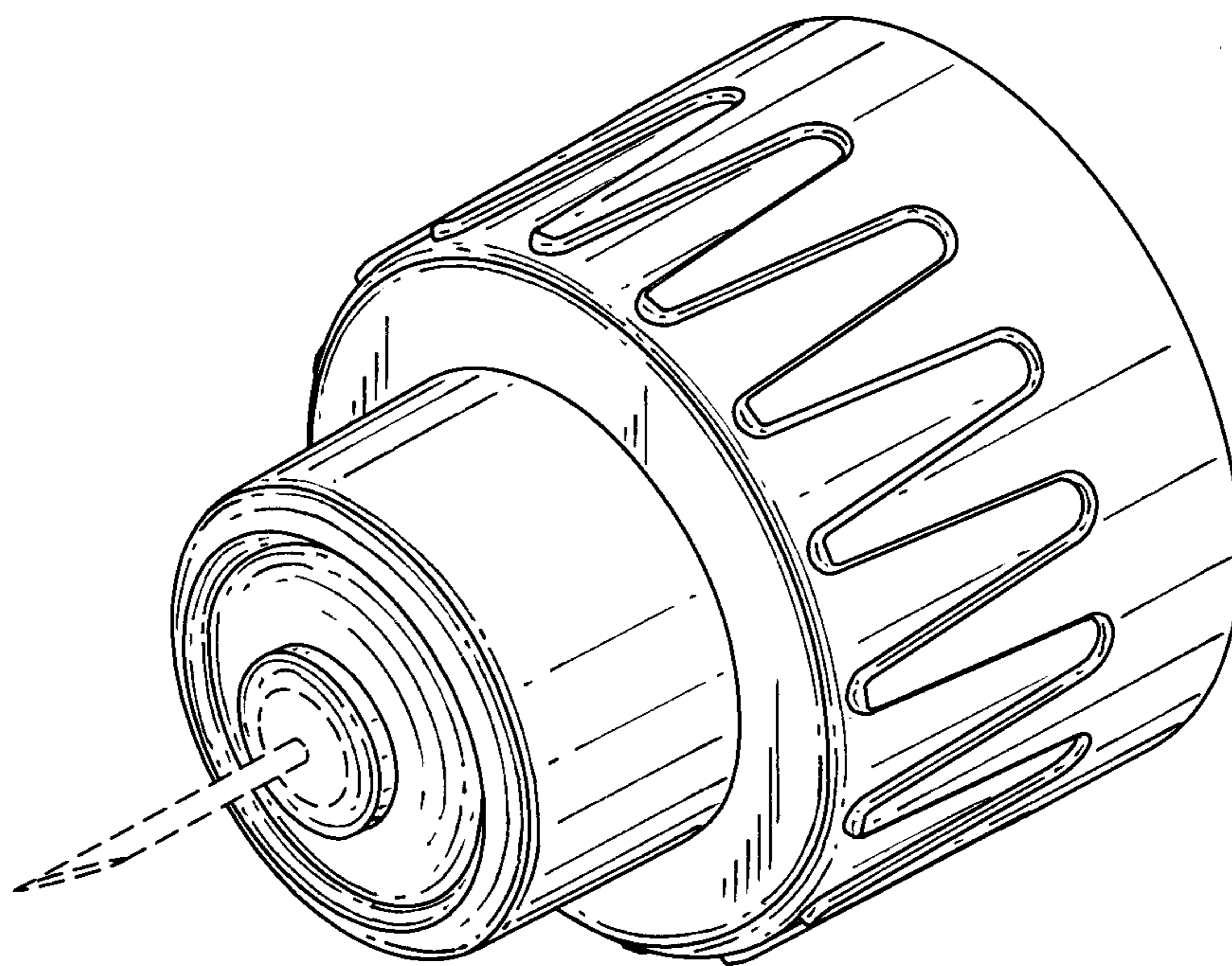


FIG. 2

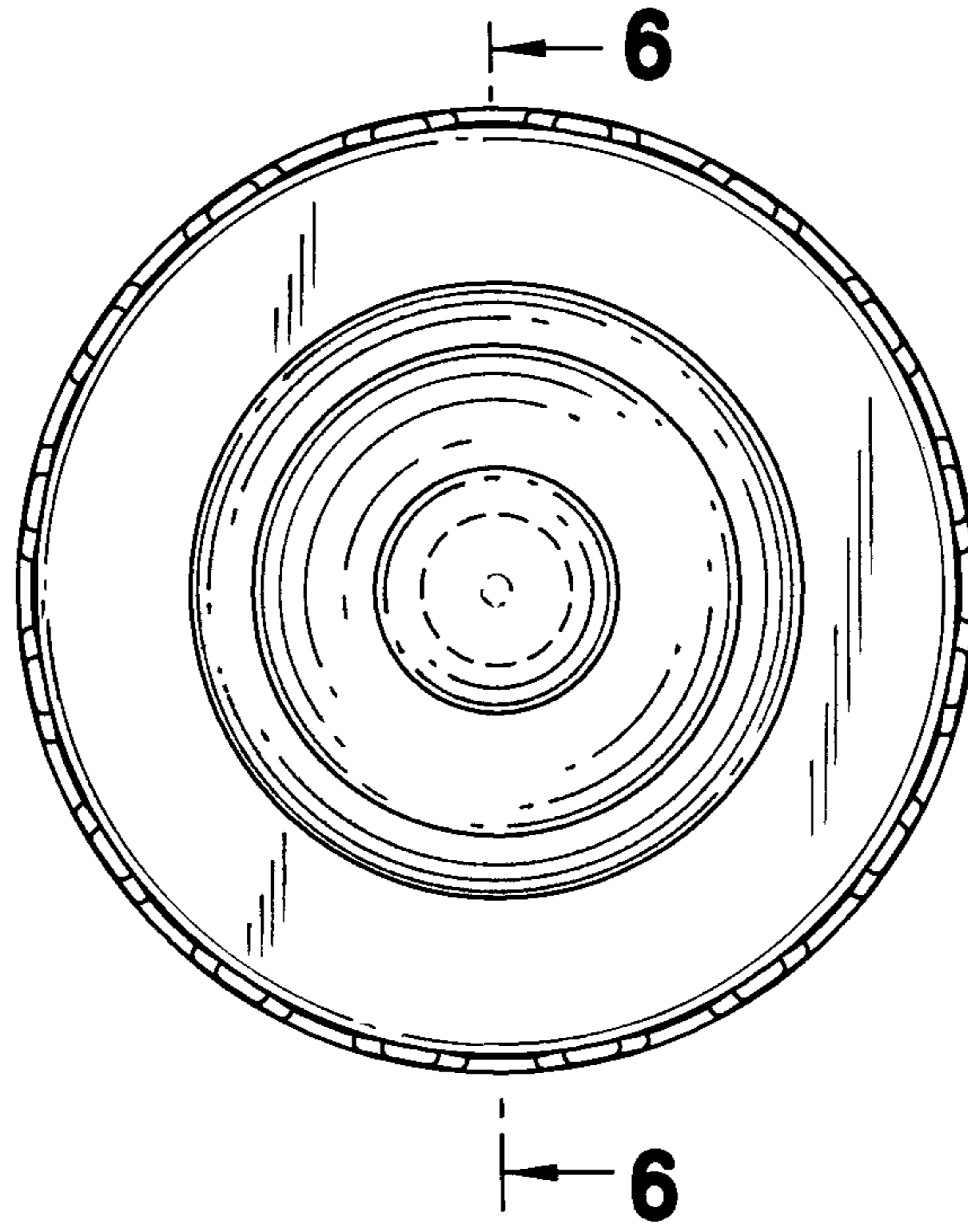


FIG. 3

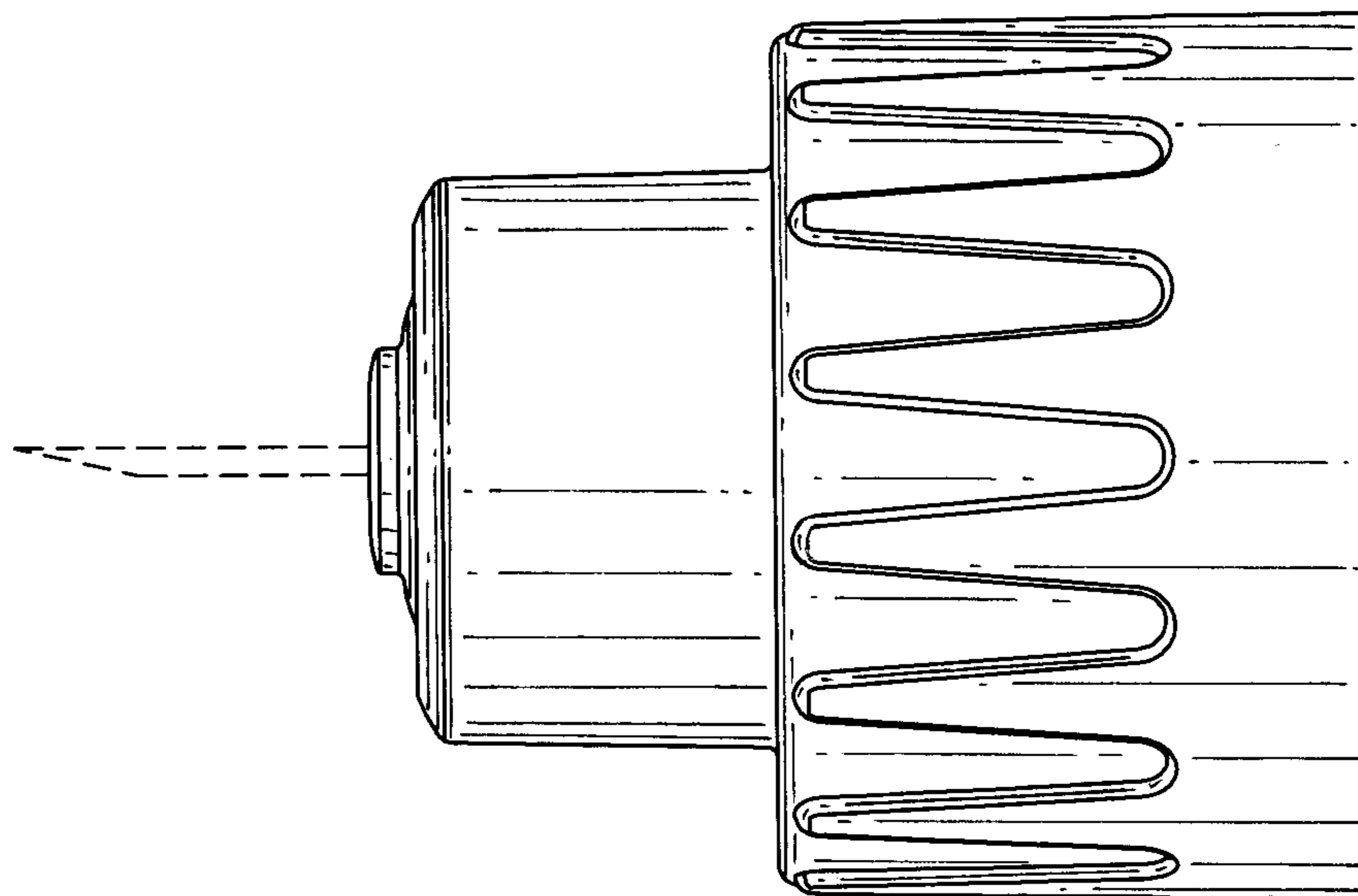


FIG. 4

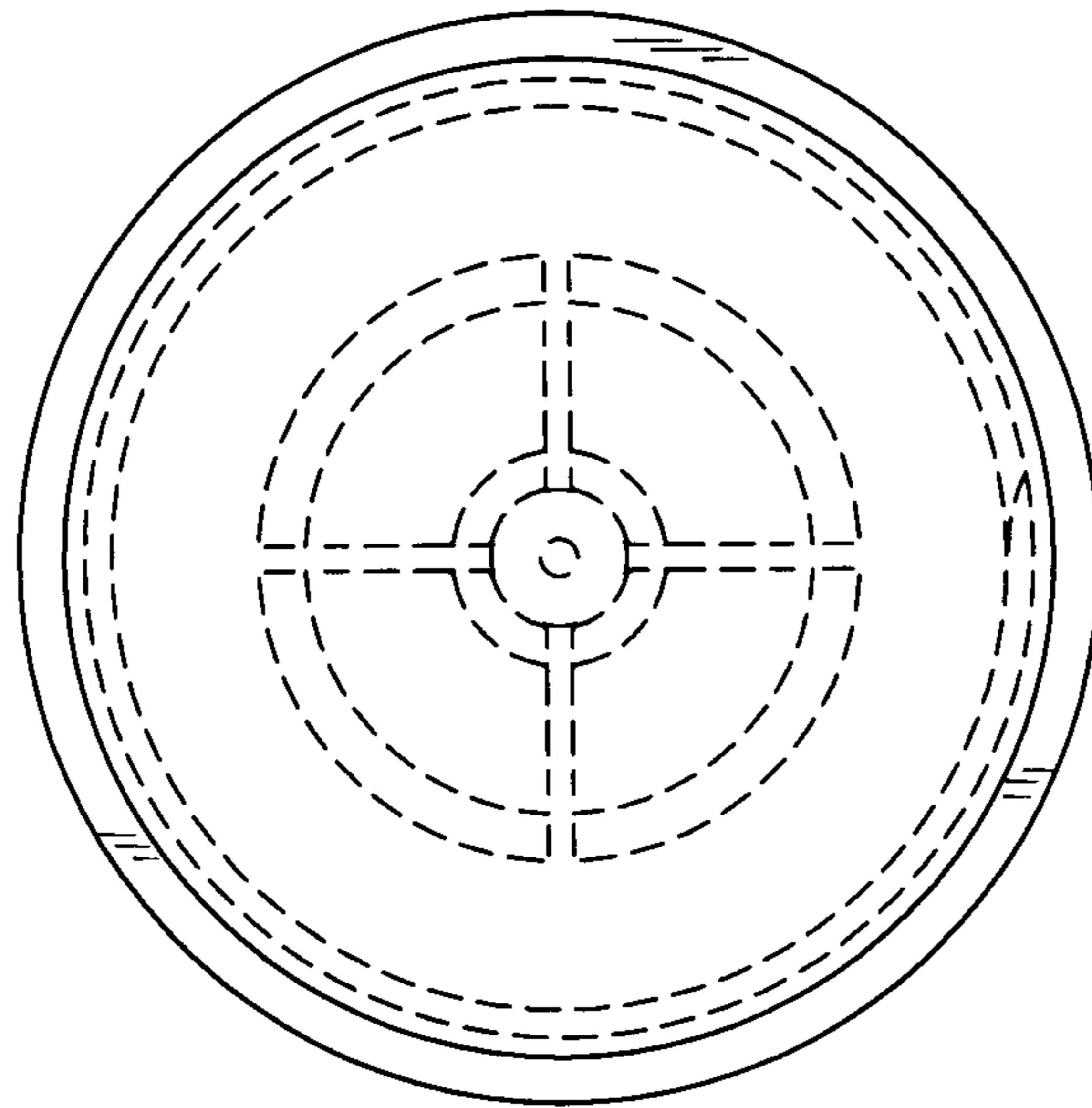


FIG. 5

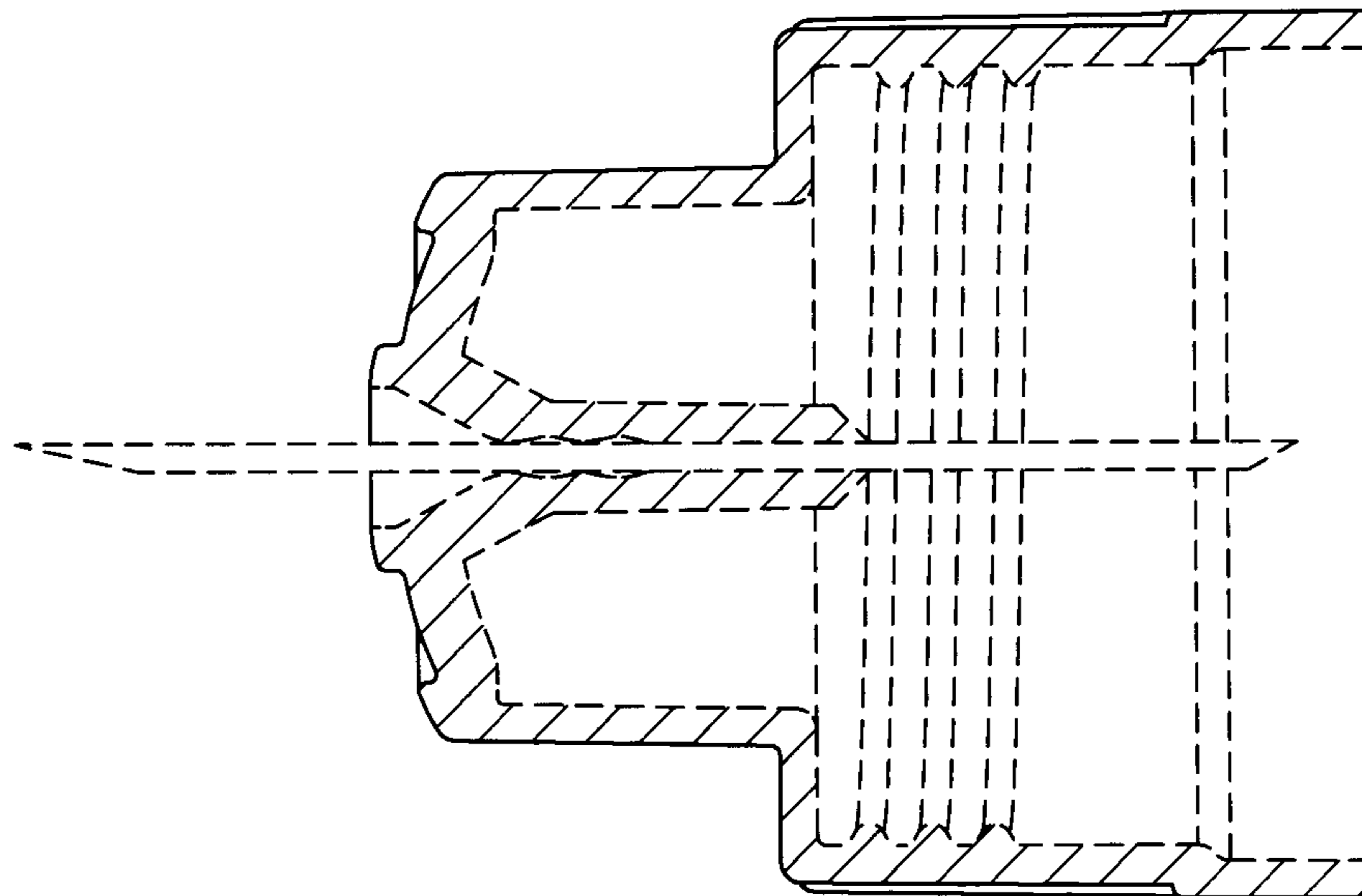


FIG. 6