



US00D787053S

(12) **United States Design Patent** (10) **Patent No.:** **US D787,053 S**
Huang et al. (45) **Date of Patent:** **** May 16, 2017**

(54) **PEN NEEDLE INNER SHIELD**

D369,409 S * 4/1996 Salter D24/129
D369,857 S * 5/1996 Booth D24/112
5,941,857 A 8/1999 Nguyen et al.
5,968,021 A 10/1999 Ejlersen
(Continued)

(71) Applicant: **Becton, Dickinson and Company,**
Franklin Lakes, NJ (US)

(72) Inventors: **David Huang,** Hayward, CA (US);
Todd Sack, Dover, DE (US); **Matthew
Zuschlag,** Randolph, NJ (US); **Mark
Bowen,** Stow, MA (US); **Shresta
Marigowda,** Morton, PA (US); **David
Schiff,** Highland Park, NJ (US)

FOREIGN PATENT DOCUMENTS

WO WO 2009/089638 7/2009
WO WO 2010/090733 8/2010
(Continued)

(73) Assignee: **Becton, Dickinson and Company,**
Franklin Lakes, NJ (US)

Clickfine Pen Needles, <http://myclickfine.com/default.aspx> Down-
loaded Jun. 30, 2015.

(**) Term: **15 Years**

(Continued)

(21) Appl. No.: **29/561,311**

Primary Examiner — David Muller

(22) Filed: **Apr. 14, 2016**

(74) *Attorney, Agent, or Firm* — Dickinson Wright PLLC

(51) **LOC (10) Cl.** **24-02**

(52) **U.S. Cl.**
USPC **D24/130**

(57) **CLAIM**

The ornamental design for a pen needle inner shield, as
shown and described.

(58) **Field of Classification Search**

USPC D24/127–131, 112–114, 133, 186;
606/181, 185; 604/264, 523–528, 272,
604/187, 158, 164.01–164.11, 181, 184,
604/227; 600/101, 139, 143;
128/200.24, 207.14, 207.15
CPC A61M 25/00; A61M 39/00; A61M 27/00;
A61M 25/0043; A61M 25/0067; A61M
25/0097; A61F 2/958

DESCRIPTION

See application file for complete search history.

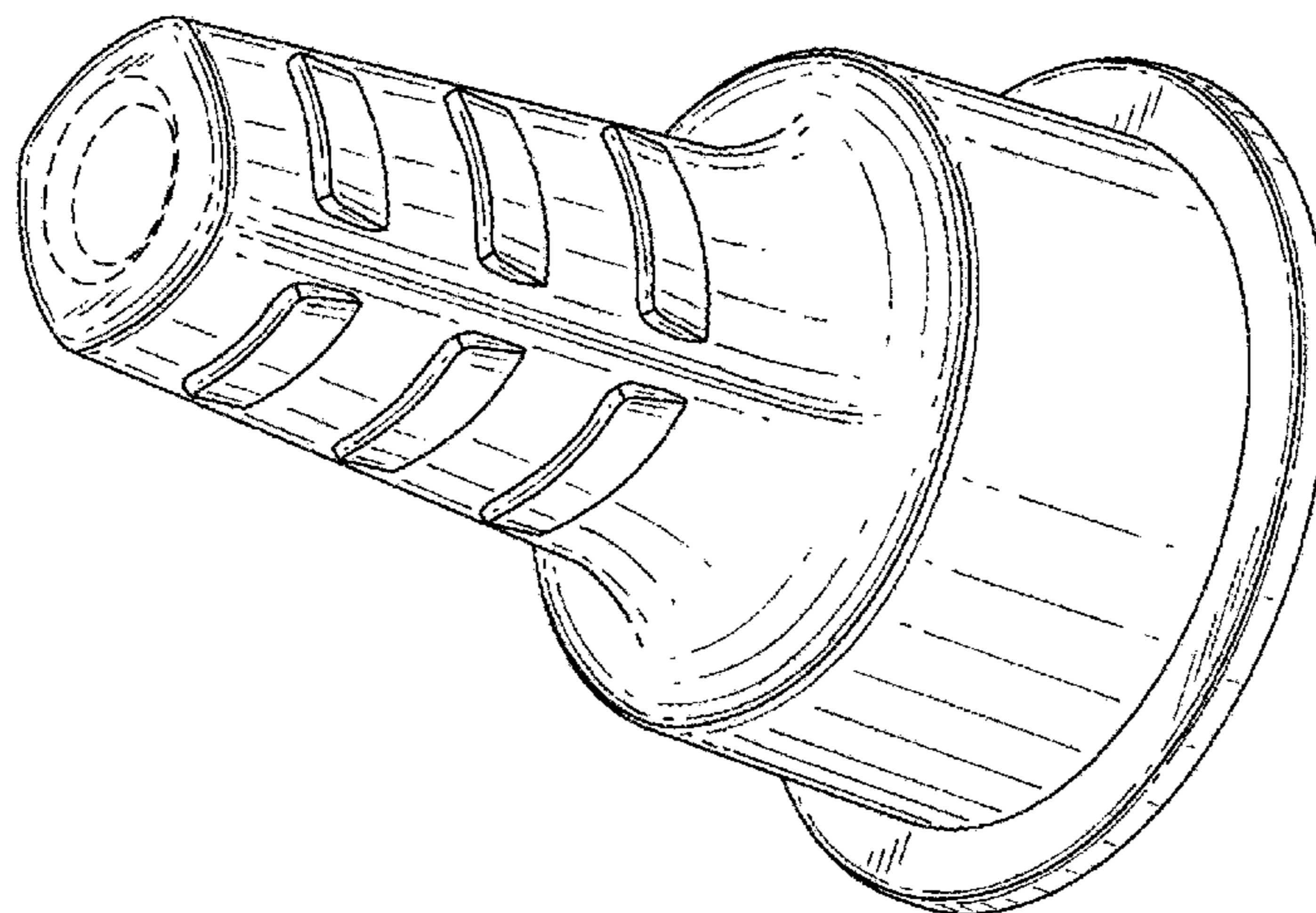
FIG. 1 is a bottom perspective view of a pen needle inner
shield embodying our new design;
FIG. 2 is a top perspective view of the pen needle inner
shield shown in FIG. 1;
FIG. 3 is a bottom view of the pen needle inner shield shown
in FIGS. 1 and 2;
FIG. 4 is a side view of the pen needle inner shield shown
in FIGS. 1-3;
FIG. 5 is a top view of pen needle inner shield shown in
FIGS. 1-4; and,
FIG. 6 is a side cross-sectional view, taken along the line 6-6
in FIG. 3, of the pen needle inner shield shown in FIGS. 1-5.
The dashed broken lines in the drawings represent portions
of the pen needle inner shield that form no part of the
claimed design.

(56) **References Cited**

U.S. PATENT DOCUMENTS

D323,710 S * 2/1992 Kasai D24/130
D326,322 S * 5/1992 Clegg D24/112
D332,490 S * 1/1993 Brown D24/130
D338,955 S * 8/1993 Gresl D24/112

1 Claim, 3 Drawing Sheets



(56)

References Cited

U.S. PATENT DOCUMENTS

5,971,966 A 10/1999 Lav
 D461,244 S * 8/2002 Niermann D24/130
 D494,677 S * 8/2004 Garvin D24/130
 D581,049 S * 11/2008 Sudo D24/130
 7,665,605 B2 2/2010 Erickson et al.
 D612,493 S * 3/2010 Claessens D24/130
 7,871,397 B2 1/2011 Schraga
 8,133,202 B2 3/2012 Marsh
 D667,951 S * 9/2012 Marshall D24/130
 D669,579 S 10/2012 Marshall et al.
 8,287,492 B2 10/2012 Schraga
 8,529,518 B2 9/2013 Larsen et al.
 8,672,902 B2 3/2014 Ruan et al.
 D713,029 S * 9/2014 Shiraishi D24/130
 D713,958 S 9/2014 Srinivasan et al.
 8,834,415 B2 9/2014 Schraga
 8,858,507 B2 10/2014 Nielsen et al.
 D737,963 S 9/2015 Srinivasan et al.
 D745,668 S 12/2015 Shiraishi et al.

D751,192 S * 3/2016 She D24/127
 2004/0111067 A1 6/2004 Kirchhofer
 2009/0069755 A1 3/2009 Horvath
 2012/0029440 A1 2/2012 Boyd et al.
 2012/0071835 A1 3/2012 Marshall et al.
 2015/0011974 A1 1/2015 Schraga
 2015/0297837 A1 10/2015 Schraga
 2015/0320941 A1 11/2015 Horvath

FOREIGN PATENT DOCUMENTS

WO WO 2014/167340 10/2014
 WO WO 2015/078870 6/2015
 WO WO 2015/085031 6/2015
 WO WO 2016/123494 8/2016

OTHER PUBLICATIONS

Meet NovoFine® Plus: The 32G 4 mm pen needle that makes injections a little friendlier, Dec. 2013.

* cited by examiner

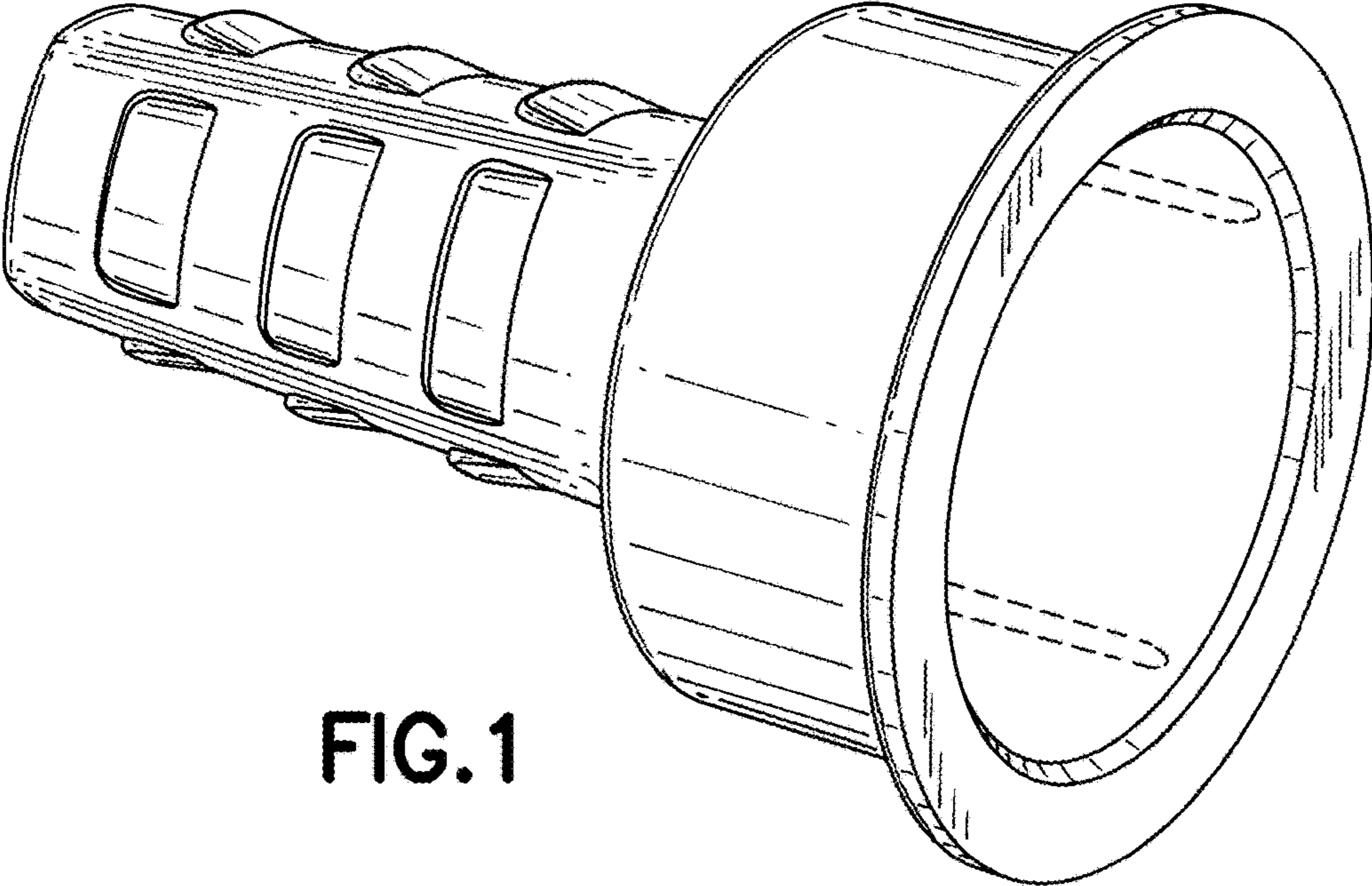


FIG. 1

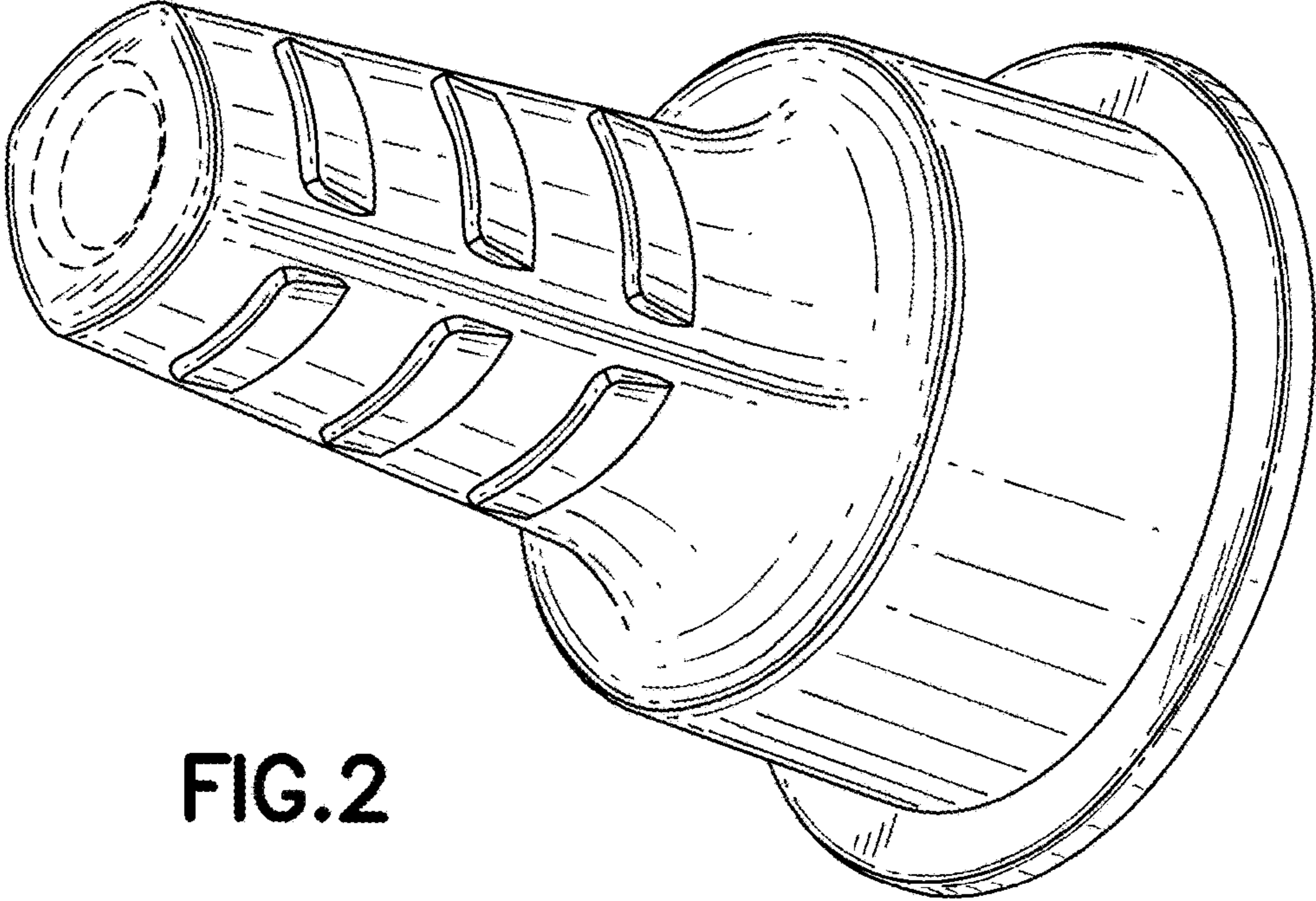


FIG. 2

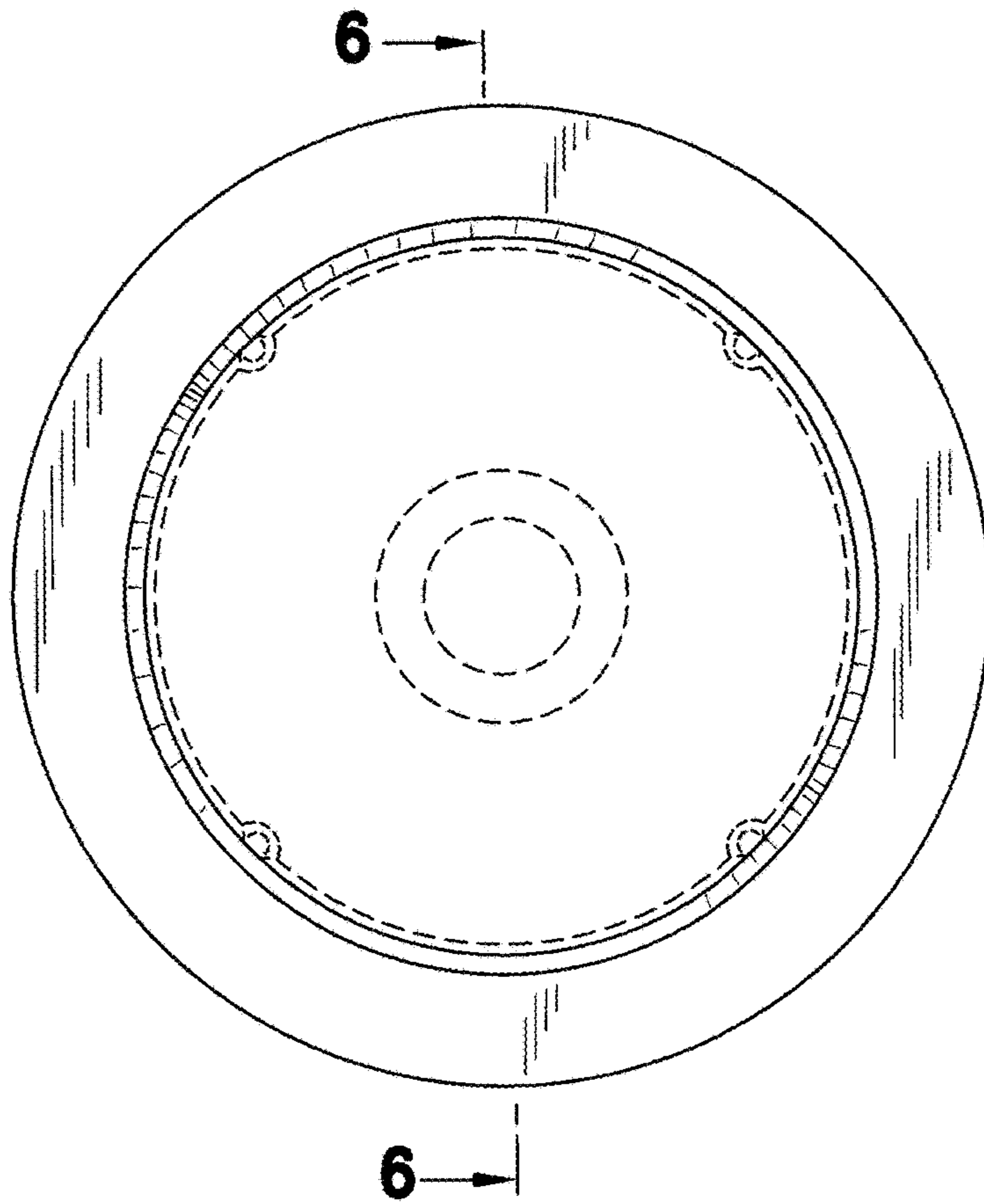


FIG. 3

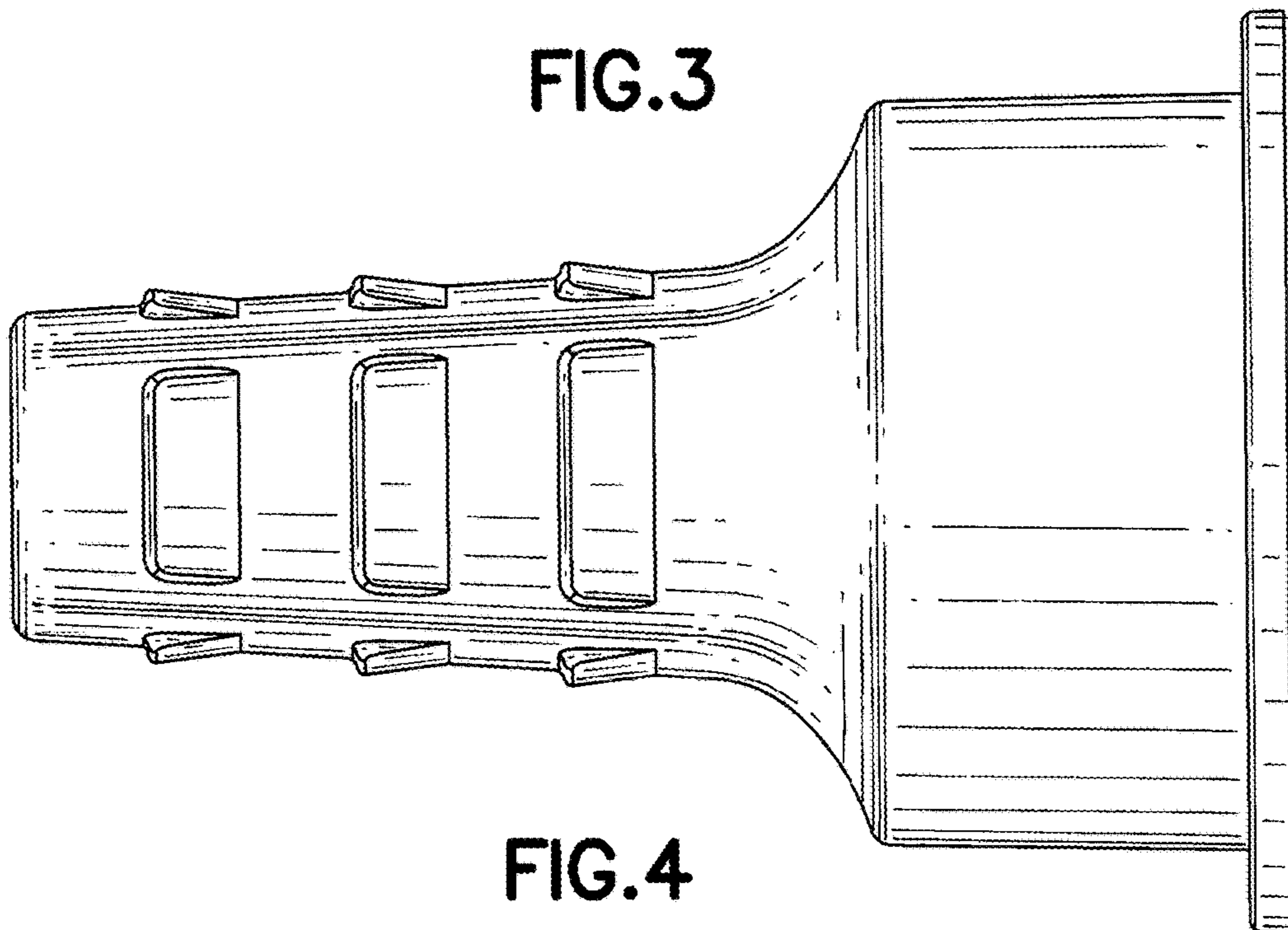


FIG. 4

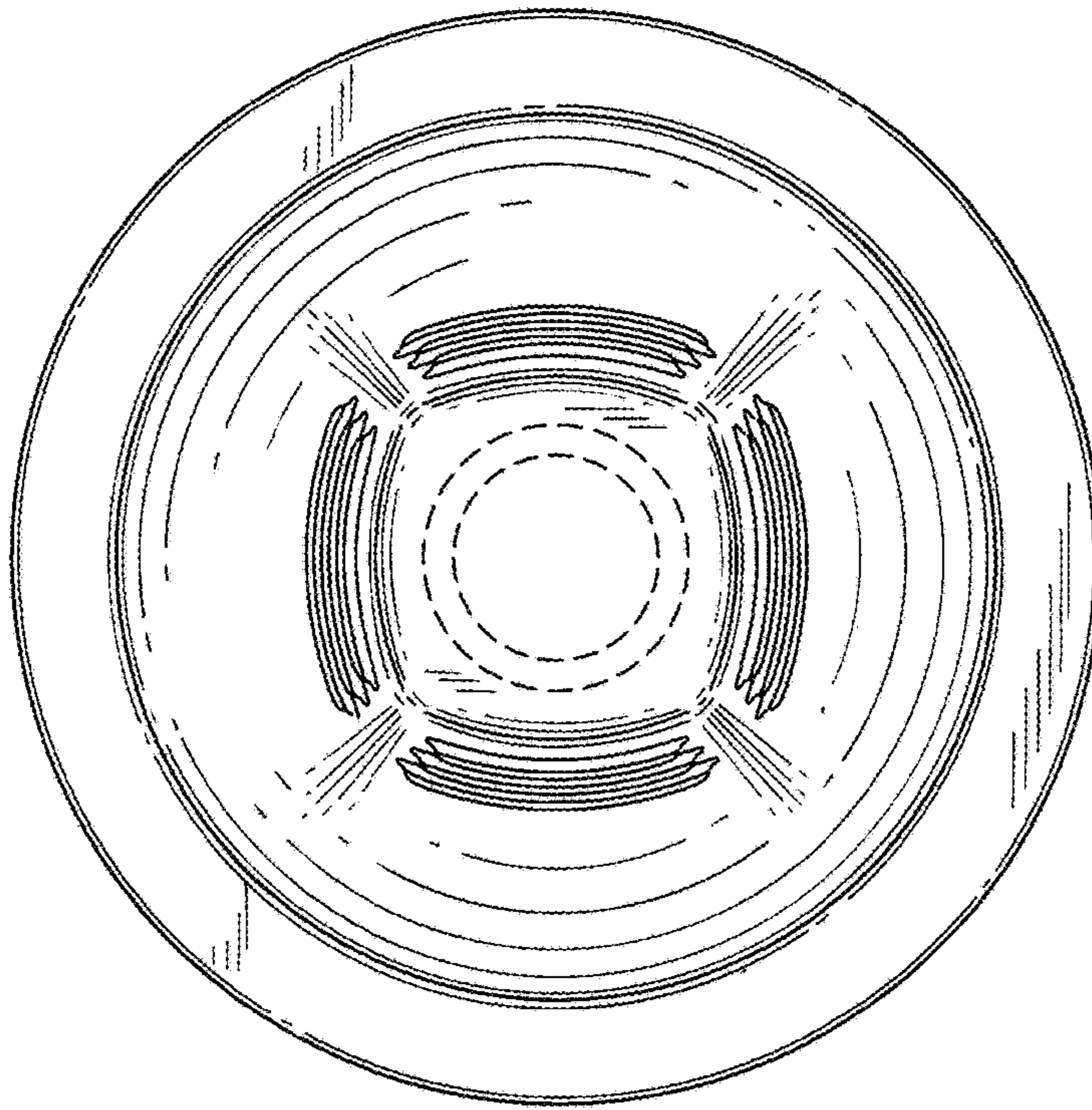


FIG. 5

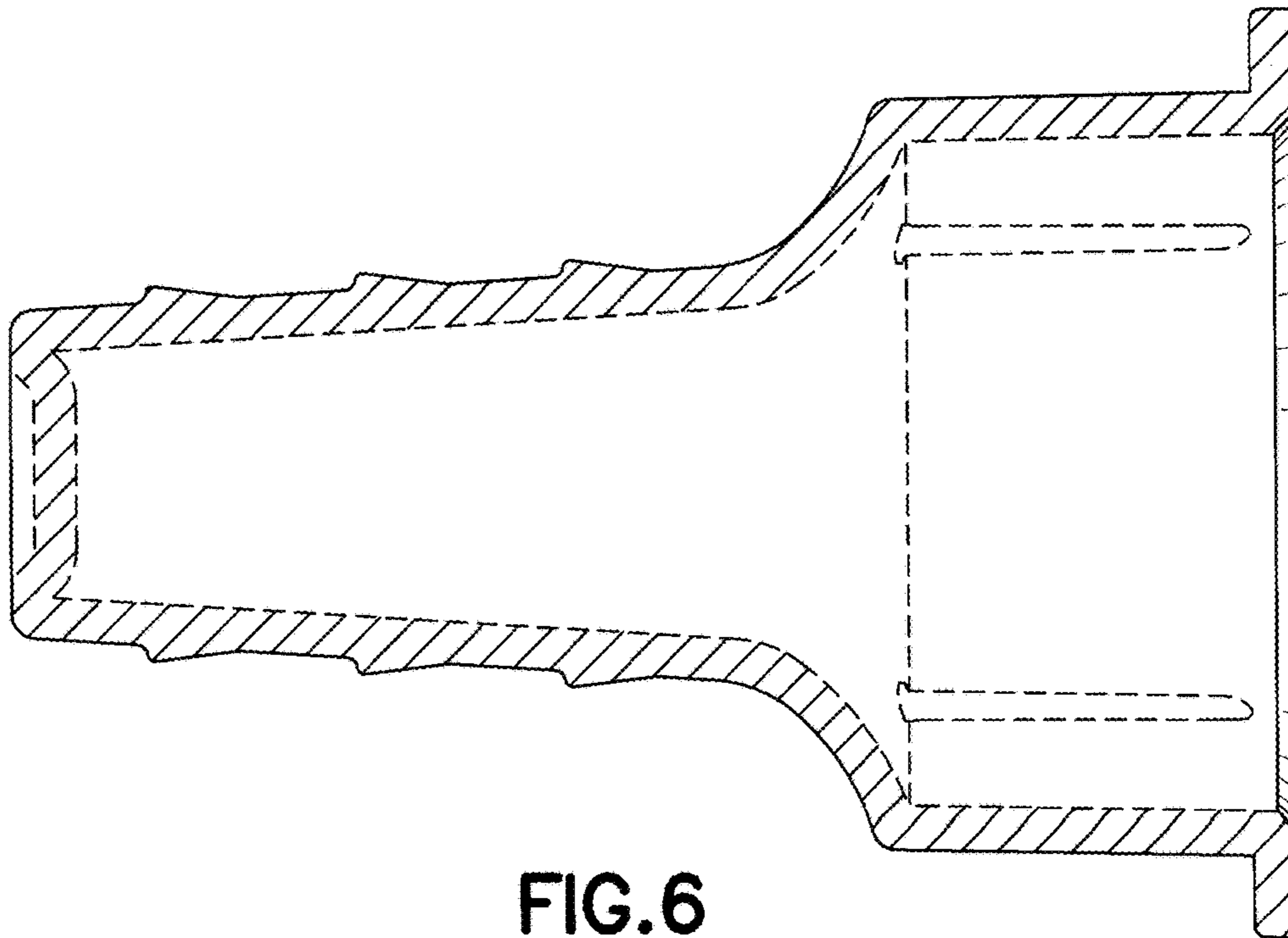


FIG. 6