



US00D787051S

(12) **United States Design Patent**
Gaston et al.

(10) **Patent No.:** **US D787,051 S**
(45) **Date of Patent:** **** May 16, 2017**

(54) **INCONTINENCE GARMENT**
(71) Applicant: **Attends Healthcare Products, Inc.**,
Greenville, SC (US)
(72) Inventors: **Bill Gaston**, Greenville, NC (US); **Rick**
Finlayson, Raleigh, NC (US); **Anne**
Parker Jones, Winterville, NC (US);
Brenda Roberson-Brown, Greenville,
NC (US)

2,331,355 A * 10/1943 Strongson A61F 13/47227
604/365
4,838,886 A * 6/1989 Kent A61F 13/49004
2/111
D365,194 S * 12/1995 Vargo D2/712
5,733,275 A * 3/1998 Davis A61F 13/64
604/387
D395,735 S * 7/1998 Paramore D2/711
D449,885 S * 10/2001 Popp D24/126
(Continued)

(73) Assignee: **ATTENDS HEALTHCARE**
PRODUCTS, INC., Greenville, NC
(US)

OTHER PUBLICATIONS
Attends Adjustable 10—<http://www.attends.se/products/view.aspx?pr=998&c=1&s=3&ru=%2fproducts%2flist.aspx%3fc%3d1%26s%3d3%26ru%3d%252fproducts%252fmen%252fdefault.aspx> (Accessed Sep. 11, 2015).
(Continued)

(**) Term: **14 Years**

(21) Appl. No.: **29/490,647**

(22) Filed: **May 12, 2014**

(51) **LOC (10) Cl.** **25-04**

(52) **U.S. Cl.**
USPC **D24/126**

(58) **Field of Classification Search**
USPC D2/700, 701, 711–714; D24/124, 125,
D24/126; 206/440; 604/385.03, 385.04,
604/387, 389
CPC A61F 13/15; A61F 13/64; A61F 13/476;
A61F 13/5611; A61F 13/5633; A61F
2013/16; A61F 2013/4708
See application file for complete search history.

Primary Examiner — Manpreet Matharu
Assistant Examiner — Lisa A Grabenstetter
(74) *Attorney, Agent, or Firm* — Norton Rose Fulbright
US LLP

(57) **CLAIM**

The ornamental design for an incontinence garment, as shown and described.

DESCRIPTION

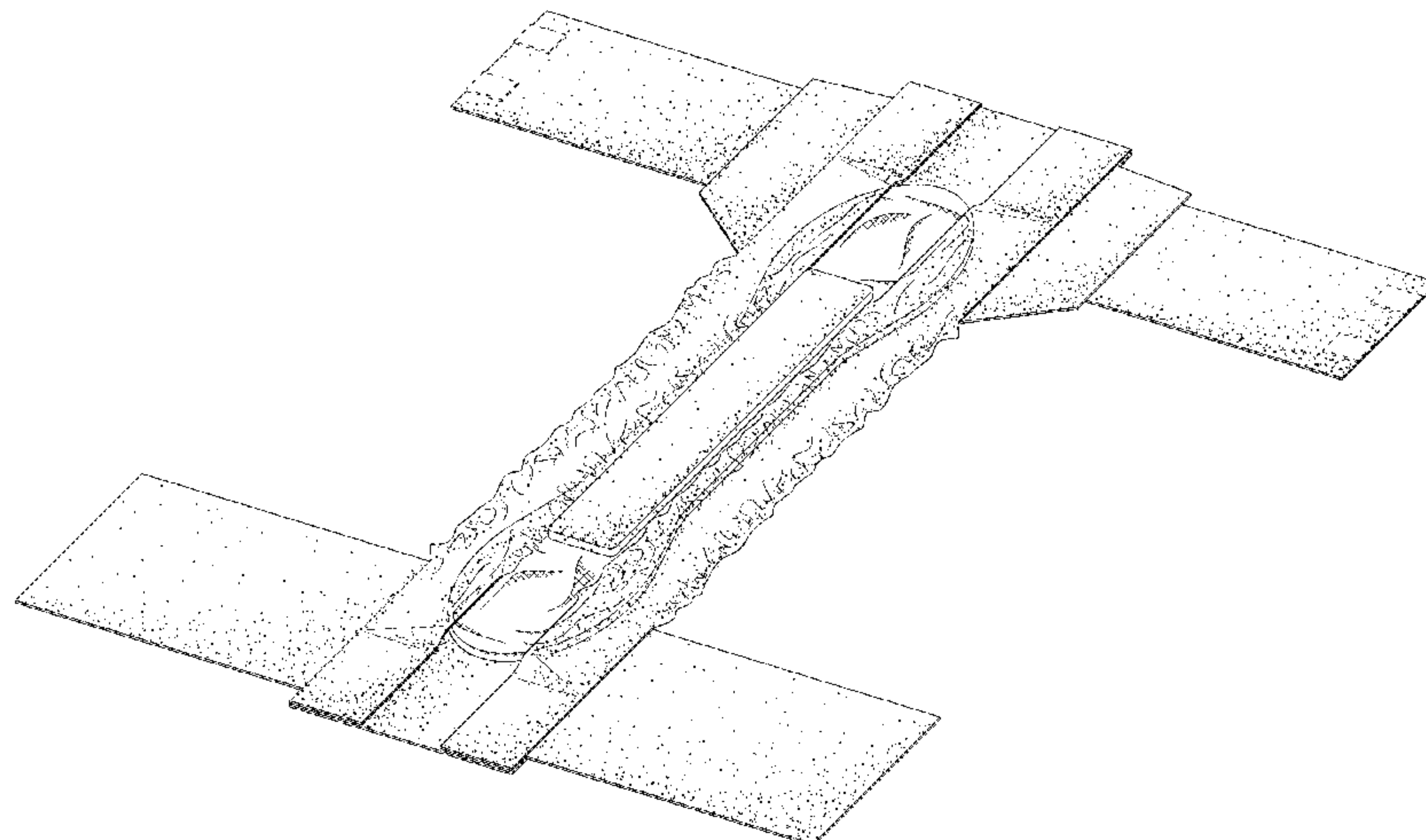
FIG. 1 is a top perspective view of an incontinence garment showing our new design;
FIG. 2 is a front view thereof;
FIG. 3 is a back view thereof;
FIG. 4 is an enlarged left side view thereof;
FIG. 5 is an enlarged right side view thereof;
FIG. 6 is a top plan view thereof;
FIG. 7 is a bottom plan view thereof; and,
FIG. 8 is another top perspective view thereof, shown in an assembled condition.
The broken line portions show unclaimed subject matter only and form no part of the claimed design.

(56) **References Cited**

U.S. PATENT DOCUMENTS

174,540 A * 3/1876 Knabe A61F 13/64
604/398
438,537 A * 10/1890 Fuller A61F 13/64
24/709.9
909,349 A * 1/1909 Treber et al. A61F 13/64
604/398
1,912,783 A * 6/1933 Meyer A61F 13/64
604/359

1 Claim, 6 Drawing Sheets



(56)

References Cited

U.S. PATENT DOCUMENTS

6,302,871 B1 * 10/2001 Nakao A61F 13/496
604/385.13
6,369,291 B1 * 4/2002 Uchimoto A61F 13/496
604/367
6,478,785 B1 * 11/2002 Ashton A61F 13/49011
604/385.01
D571,462 S * 6/2008 Qureshi D24/124
2002/0151858 A1 * 10/2002 Karami A61F 13/49
604/385.3
2005/0143709 A1 * 6/2005 Lindstrom A61F 13/64
604/391
2010/0021512 A1 * 1/2010 Arron A61K 33/38
424/404
2012/0035576 A1 * 2/2012 Ichikawa A61F 13/49001
604/385.24

OTHER PUBLICATIONS

Attends Adjustable—<http://attends.co.uk/products/view.aspx?pr=1032&c=1&s=3&ru=%2fproducts%2flist.aspx%3fs%3d3%26c%3d1> (Accessed Sep. 11,2015).

* cited by examiner

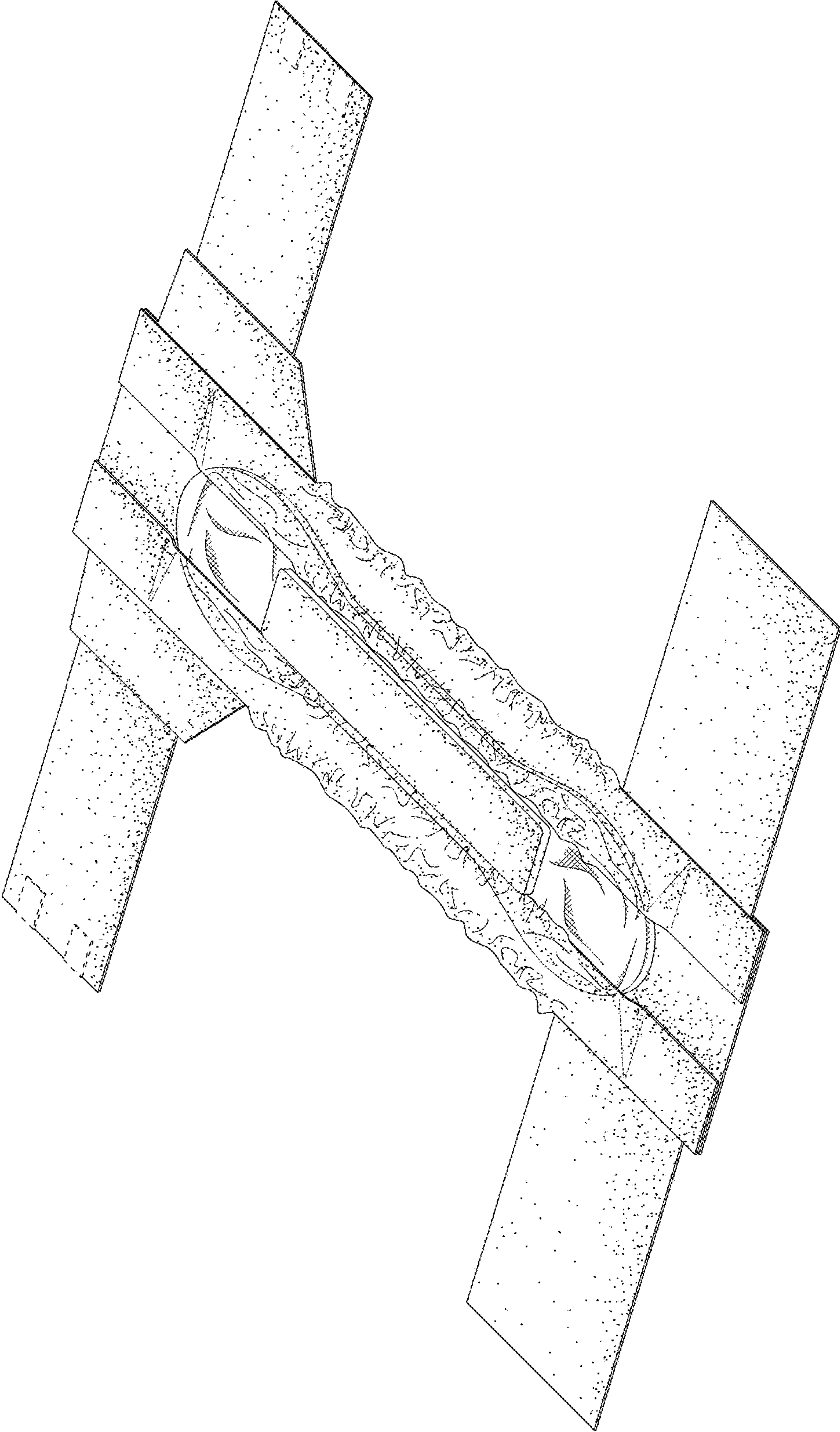


FIG. 1

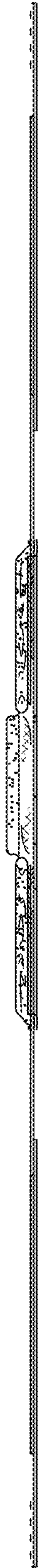


FIG. 2

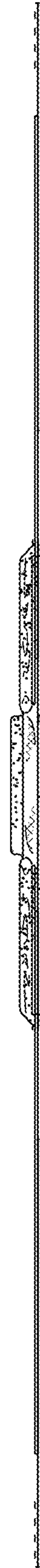


FIG. 3



FIG. 4



FIG. 5

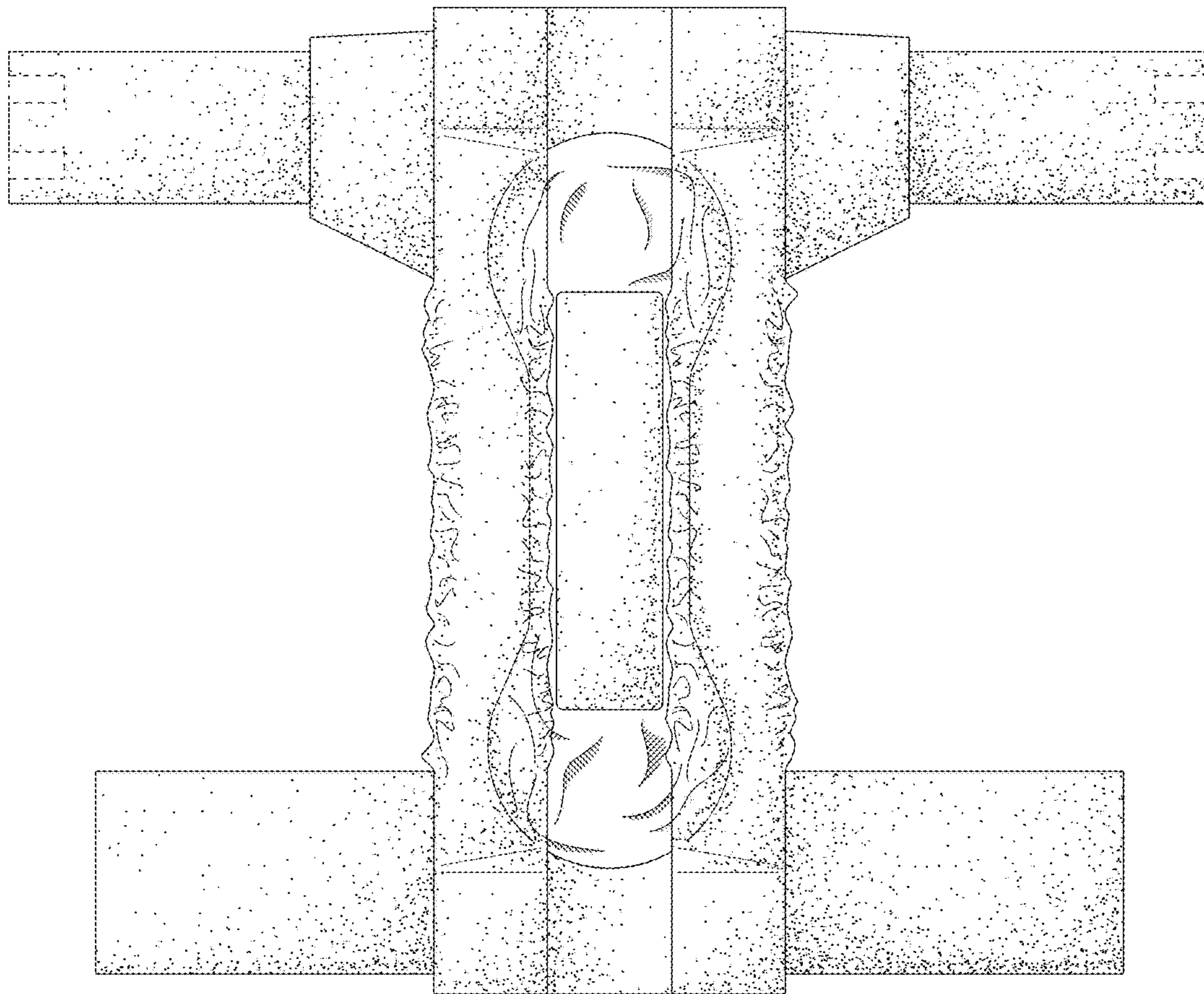


FIG. 6

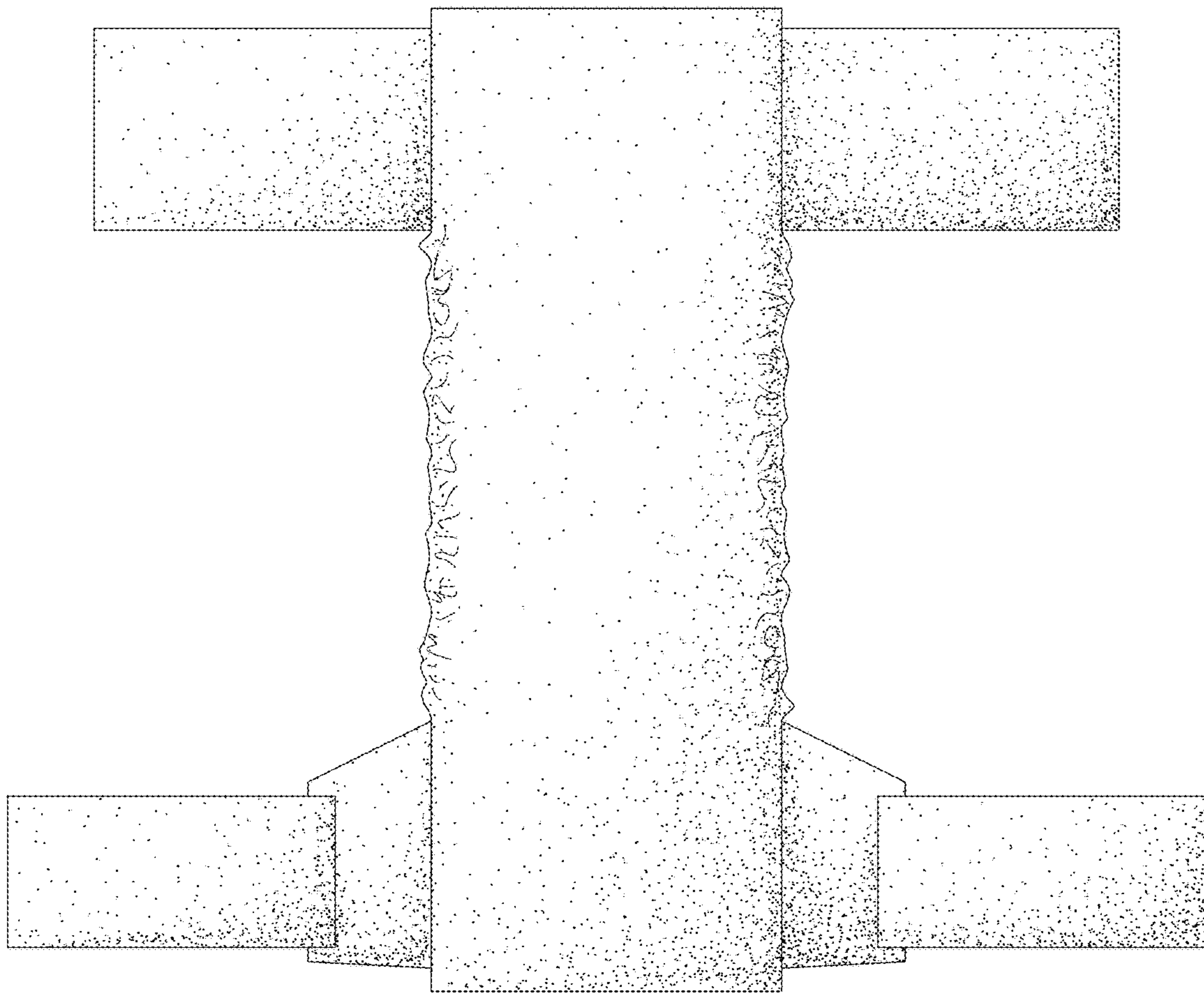


FIG. 7

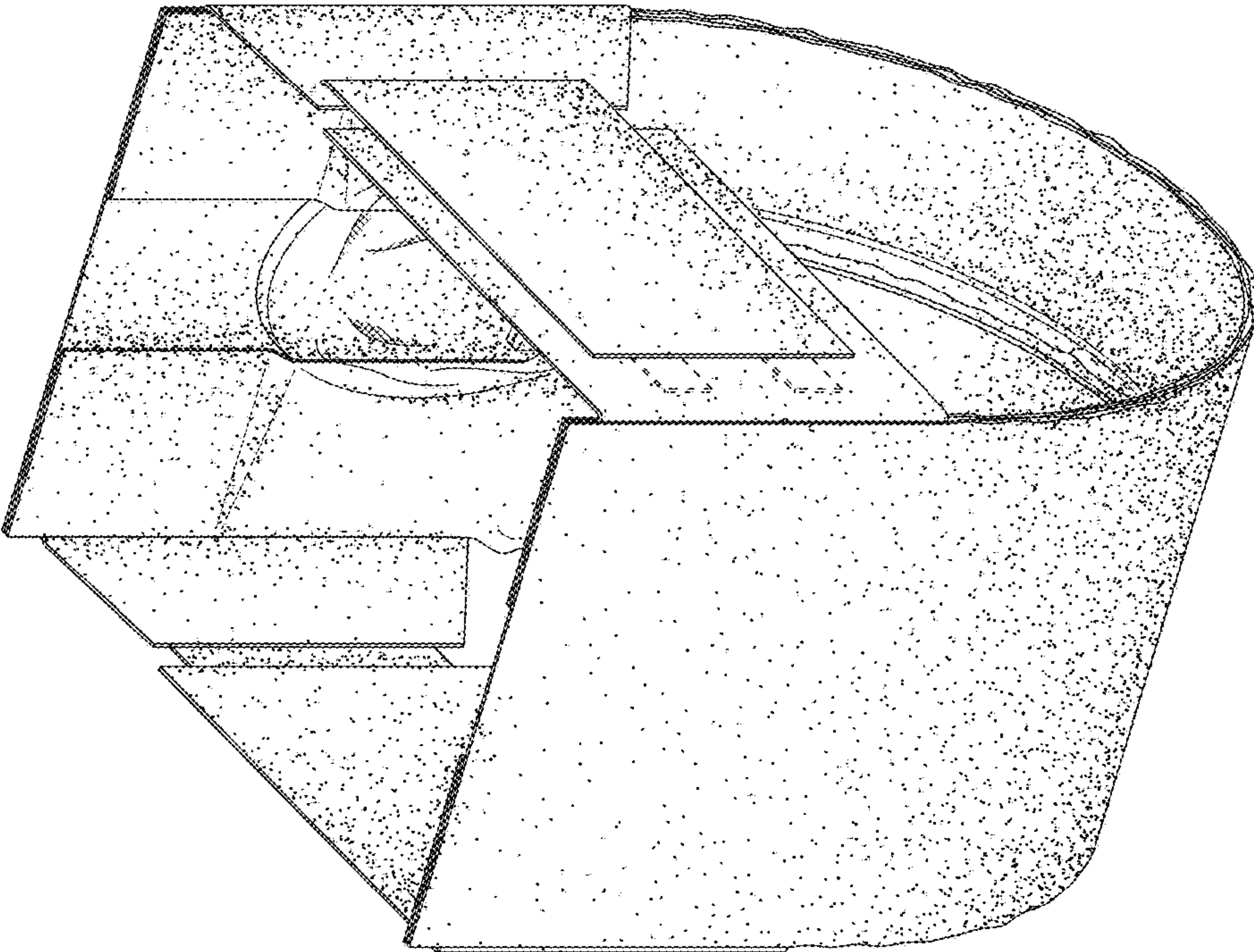


FIG. 8

UNITED STATES PATENT AND TRADEMARK OFFICE
CERTIFICATE OF CORRECTION

PATENT NO. : D787,051 S
APPLICATION NO. : 29/490647
DATED : May 16, 2017
INVENTOR(S) : Bill Gaston et al.

Page 1 of 1

It is certified that error appears in the above-identified patent and that said Letters Patent is hereby corrected as shown below:

On the Title Page

Item (71) Applicant:

Delete "Greenville, SC" and replace with -- Greenville, NC --.

Signed and Sealed this
Twenty-sixth Day of December, 2017



Joseph Matal
*Performing the Functions and Duties of the
Under Secretary of Commerce for Intellectual Property and
Director of the United States Patent and Trademark Office*