



US00D787047S

(12) **United States Design Patent**
Bainton et al.

(10) **Patent No.:** **US D787,047 S**
(45) **Date of Patent:** **** May 16, 2017**

(54) **INJECTION DEVICE**

(71) Applicant: **SANOFI S.A.**, Paris (FR)

(72) Inventors: **Mike Cameron Bainton**, Warwickshire (GB); **Robert F. Veasey**, Warwickshire (GB)

(73) Assignee: **SANOFI S.A.**, Paris (FR)

(**) Term: **14 Years**

(21) Appl. No.: **29/523,134**

(22) Filed: **Apr. 7, 2015**

(30) **Foreign Application Priority Data**

Oct. 8, 2014 (EM) 002552976-0002

(51) **LOC (10) Cl.** **24-02**

(52) **U.S. Cl.**
USPC **D24/113**

(58) **Field of Classification Search**
USPC D24/112-114, 108, 133, 130, 127, 186;
606/181, 185; 604/264, 272, 187, 181,
604/184, 227

CPC A61M 5/178; A61M 3/00; A61M 5/20;
A61M 5/31; A61M 5/3146; A61M
5/3129; A61M 5/3148; A61M 5/315

See application file for complete search history.

(56) **References Cited**

U.S. PATENT DOCUMENTS

7,695,454 B2 * 4/2010 Barron A61M 5/31541
604/187
D676,131 S * 2/2013 Pala D24/113

D676,548 S * 2/2013 Pala D24/113
D696,774 S * 12/2013 Guarraia D24/113
D697,205 S * 1/2014 Schneider D24/113
D714,932 S * 10/2014 Hall D24/112
D739,005 S * 9/2015 Matsumura D24/108
D743,538 S * 11/2015 Sanders D24/113
D743,539 S * 11/2015 Chung D24/113
D755,369 S * 5/2016 Sanders D24/113
D758,566 S * 6/2016 Chen D24/113
D758,569 S * 6/2016 Wohlfahrt D24/113
D758,571 S * 6/2016 Geert-Jensen D24/113

* cited by examiner

Primary Examiner — David Muller

(74) *Attorney, Agent, or Firm* — McDonnell Boehnen
Hulbert & Berghoff LLP

(57) **CLAIM**

The ornamental injection device, as shown and described.

DESCRIPTION

FIG. 1 is a perspective view of the injection device from the front and right;

FIG. 2 is front elevation view thereof;

FIG. 3 is a rear elevation view thereof;

FIG. 4 is a right side elevation view thereof;

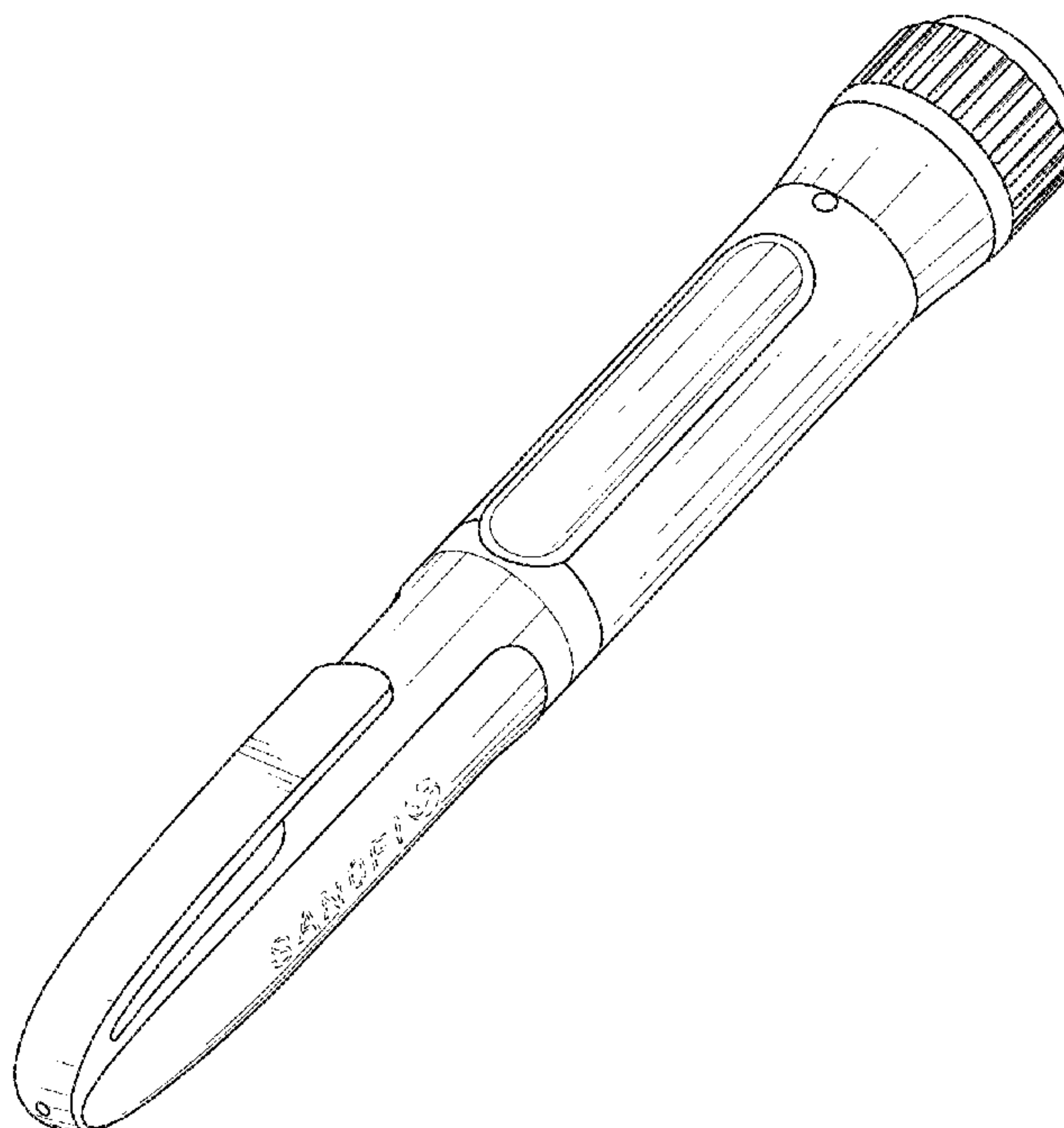
FIG. 5 is a left side elevation view thereof;

FIG. 6 is a top plan view thereof; and,

FIG. 7 is a bottom plan view thereof.

The broken line showing of parts of the drawings is included for the purpose of illustrating use and environment and forms no part of the claimed design.

1 Claim, 3 Drawing Sheets



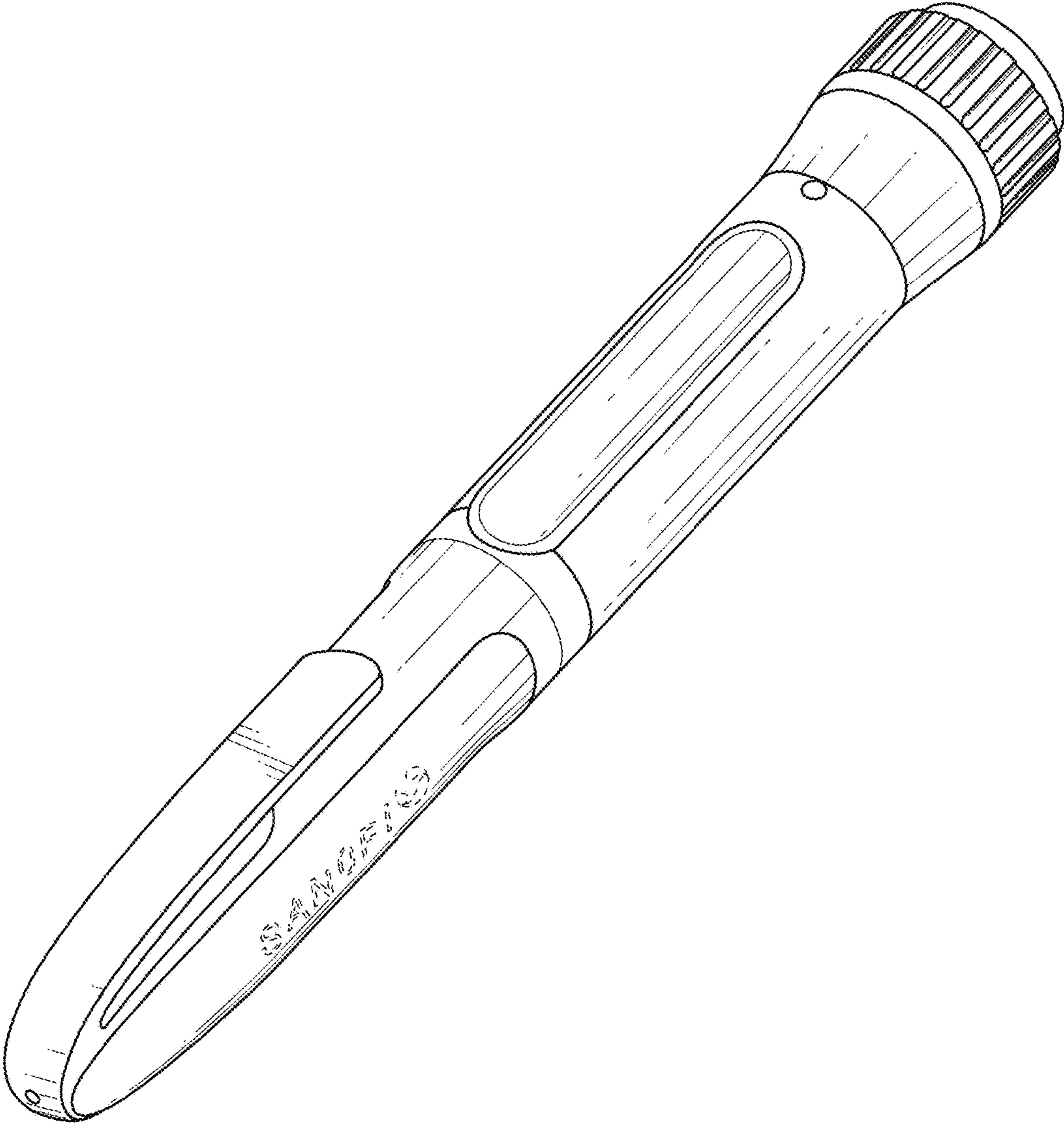


FIG. 1

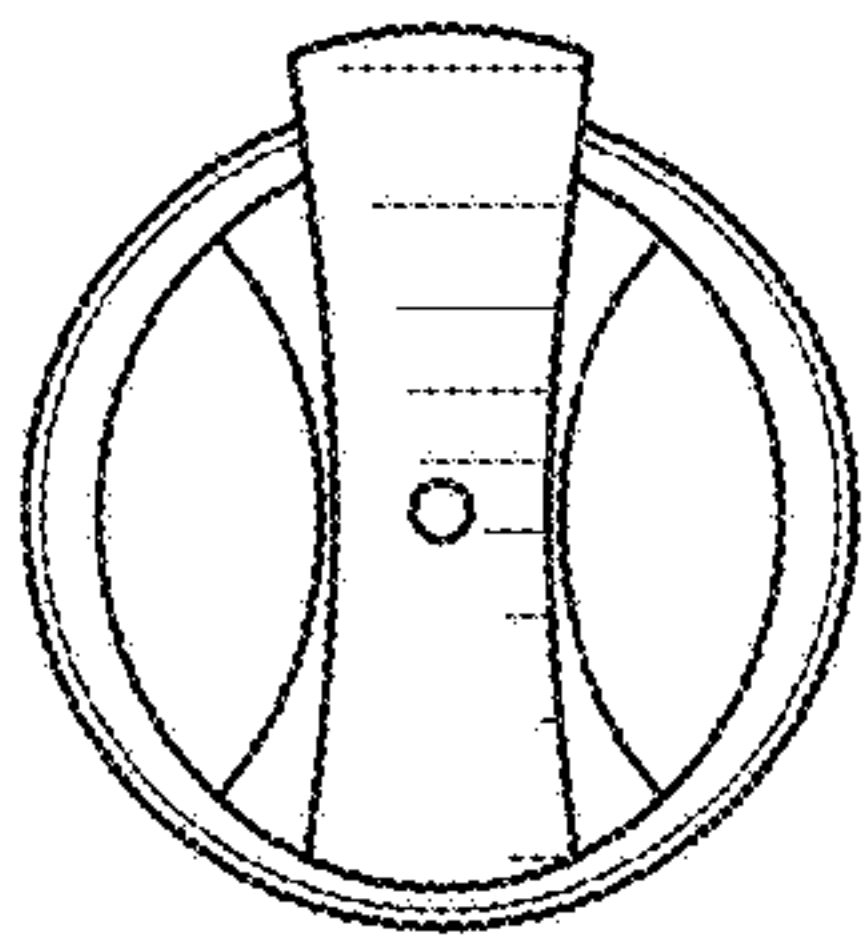


FIG. 2

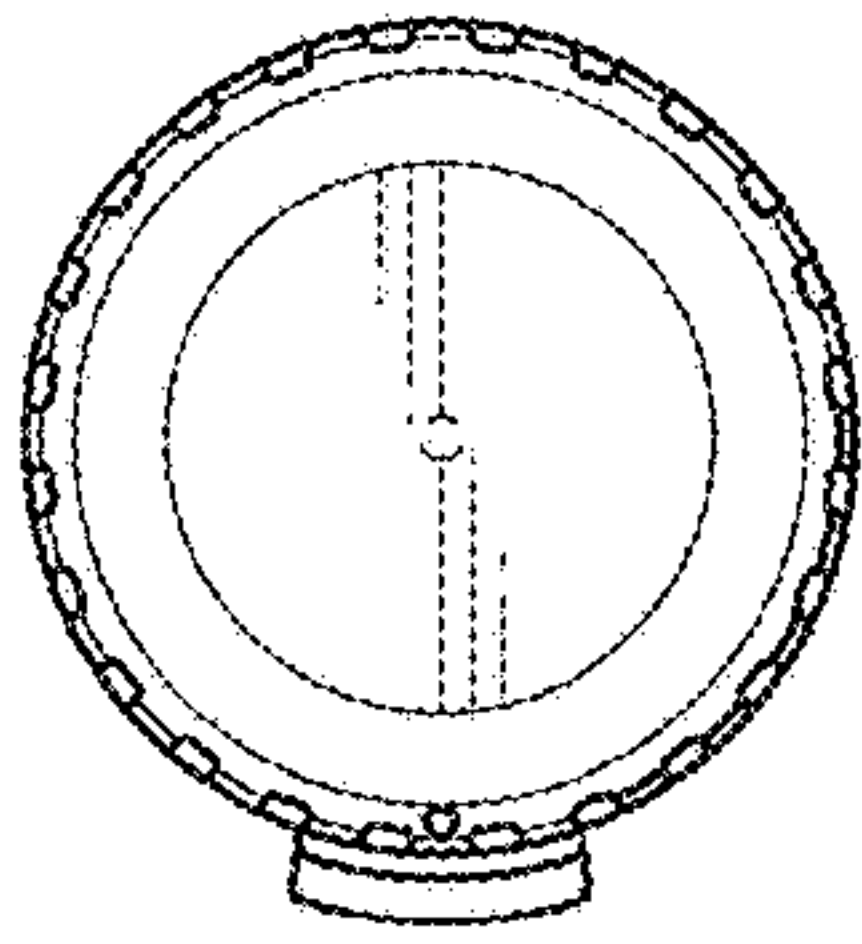


FIG. 3

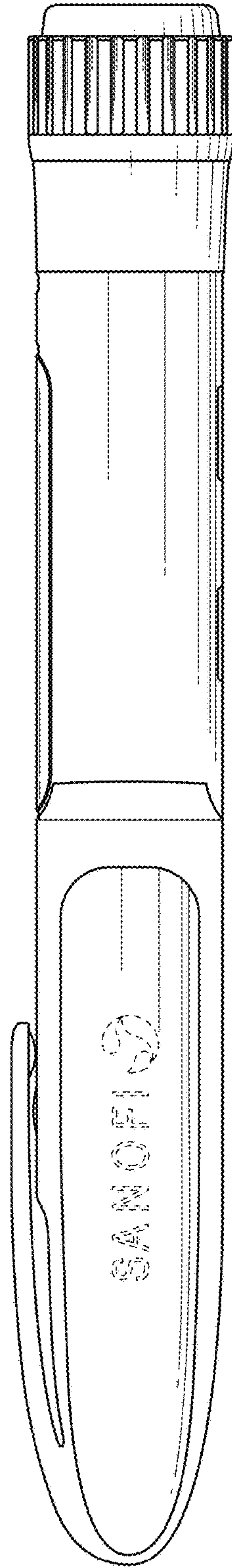


FIG. 4

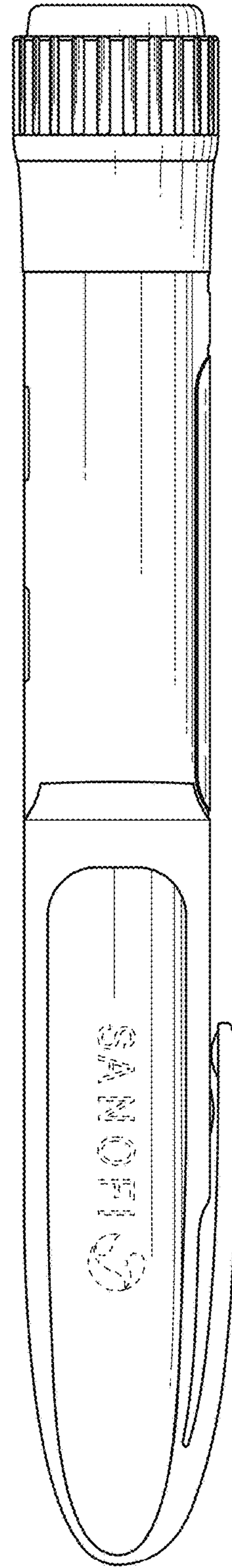


FIG. 5

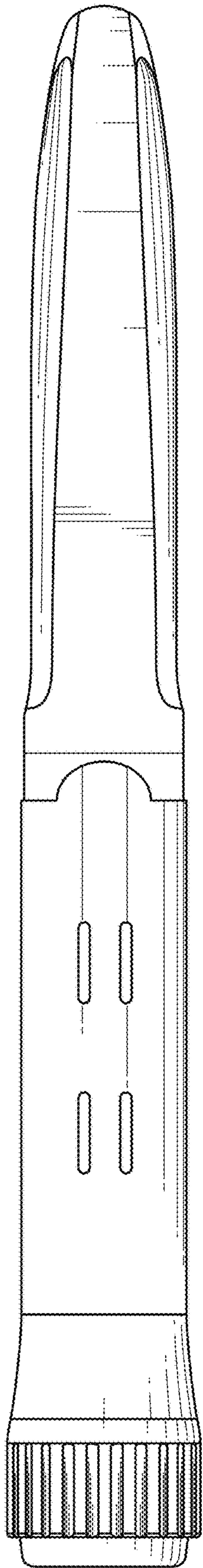


FIG. 6

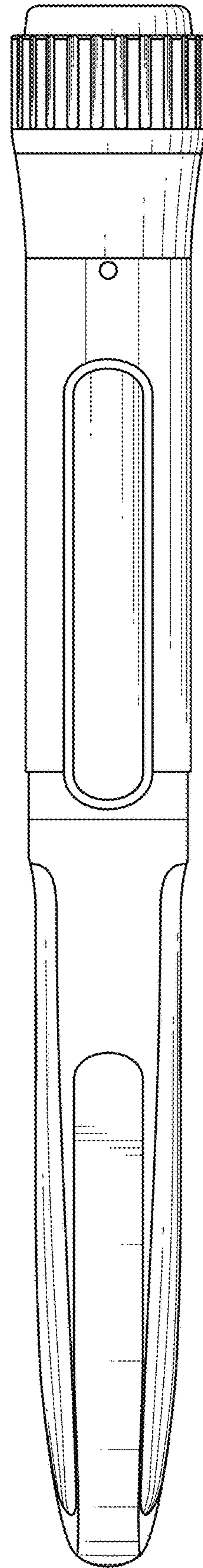


FIG. 7