



US00D787045S

(12) **United States Design Patent**
Yokoyama

(10) **Patent No.:** **US D787,045 S**

(45) **Date of Patent:** **** May 16, 2017**

- (54) **OXYGEN MASK**
- (71) Applicant: **Brilliant Group Headquarters Co., Ltd.**, Nagano (JP)
- (72) Inventor: **Mitsuhiro Yokoyama**, Nagano (JP)
- (73) Assignee: **BRILLIANT GROUP HEADQUARTERS CO., LTD.**, Nagano (JP)
- (**) Term: **15 Years**
- (21) Appl. No.: **29/551,265**
- (22) Filed: **Jan. 12, 2016**
- (51) **LOC (10) Cl.** **29-02**
- (52) **U.S. Cl.**
USPC **D24/110.4**
- (58) **Field of Classification Search**
USPC D24/110-110.5, 164; D29/108
CPC A61M 16/0622; A61M 16/00; A61M 16/0616; A61M 2205/59; A61M 16/06; A61M 2202/0208; A62B 18/025
See application file for complete search history.

- 8,042,536 B1 * 10/2011 Howey A61M 11/06
128/200.14
 - D726,303 S * 4/2015 Rollins, III D24/110.1
 - 9,186,474 B1 * 11/2015 Rollins, III A61M 16/0605
 - D753,816 S * 4/2016 Beard D24/110.4
- (Continued)

FOREIGN PATENT DOCUMENTS

- JP 2012-509148 4/2012
 - JP 2013-515536 5/2013
- (Continued)

Primary Examiner — Barbara Fox
Assistant Examiner — Lilyana Bekic
 (74) *Attorney, Agent, or Firm* — Frost Brown Todd LLC

(56) **References Cited**

U.S. PATENT DOCUMENTS

- D225,582 S * 12/1972 King D24/110.4
- 3,894,537 A * 7/1975 Camp A61M 11/06
128/203.17
- 3,977,432 A * 8/1976 Vidal A61M 16/06
128/205.11
- 4,328,797 A * 5/1982 Rollins, III A61M 16/06
128/202.15
- D283,742 S * 5/1986 Hall D24/110.4
- 5,143,061 A * 9/1992 Kaimer A41D 13/1146
128/205.25
- 5,586,551 A * 12/1996 Hilliard A61M 11/06
128/200.14
- 6,418,929 B1 * 7/2002 Norfleet A61M 16/06
128/206.27

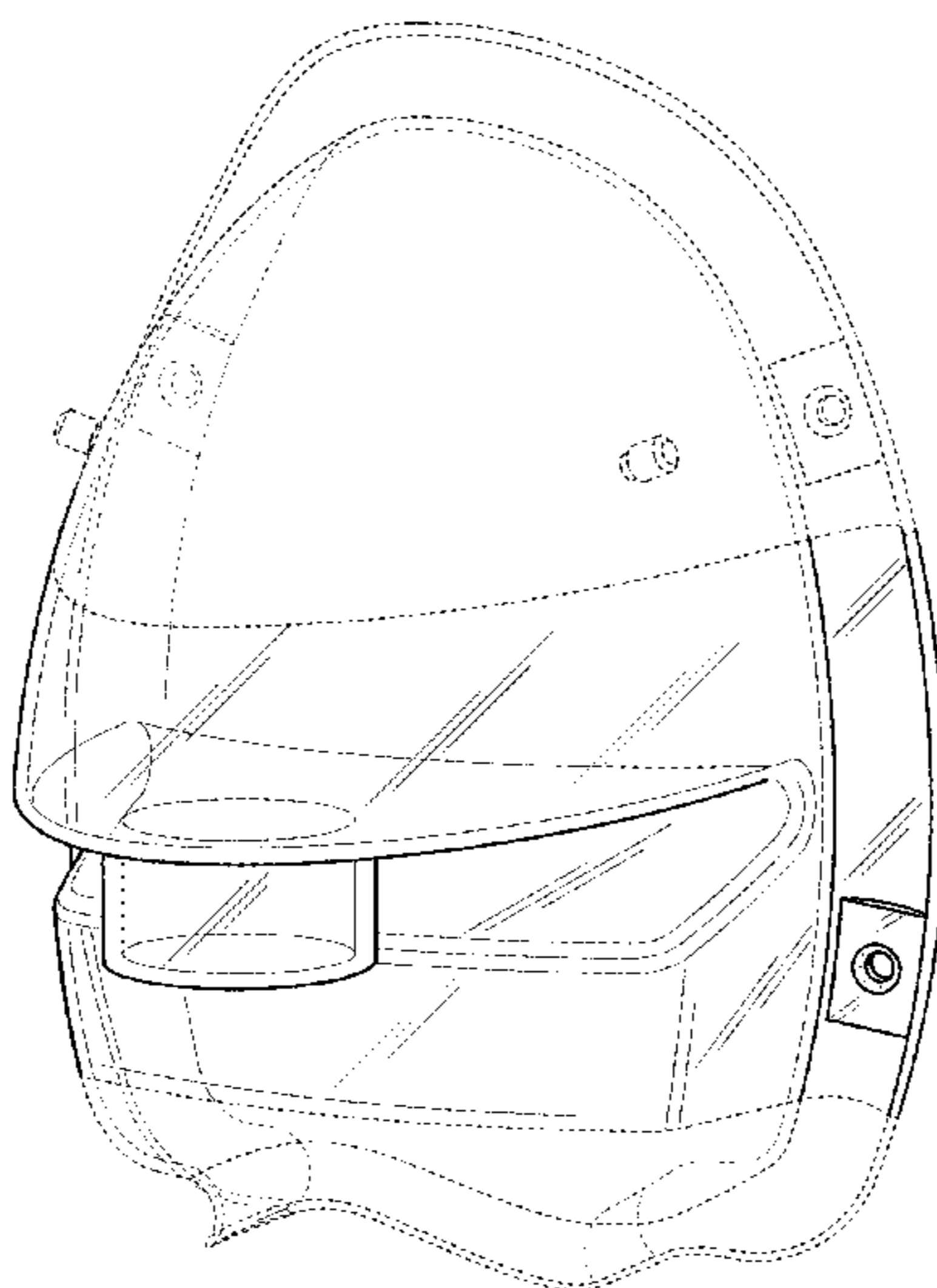
(57) **CLAIM**

The ornamental design for an oxygen mask, as shown and described.

DESCRIPTION

FIG. 1 is a front and side perspective view of an oxygen mask, showing my new design;
 FIG. 2 is a front elevational view of the oxygen mask of FIG. 1;
 FIG. 3 is a back elevational view of the oxygen mask of FIG. 1;
 FIG. 4 is a top plan view of the oxygen mask of FIG. 1;
 FIG. 5 is a bottom plan view of the oxygen mask of FIG. 1;
 FIG. 6 is a left elevational view of the oxygen mask of FIG. 1;
 FIG. 7 is a right elevational view of the oxygen mask of FIG. 1; and,
 FIG. 8 is a cross-sectional view of the oxygen mask of FIG. 1, taken in the direction of line 8-8 of FIG. 2.
 The broken lines in the drawings illustrate portions of the oxygen mask that form no part of the claimed design.

1 Claim, 8 Drawing Sheets



(56)

References Cited

U.S. PATENT DOCUMENTS

2002/0189616 A1* 12/2002 Wolf A62B 18/084
128/205.25
2007/0283951 A1* 12/2007 Burk A61M 16/06
128/200.21
2008/0210242 A1* 9/2008 Burk A61M 16/06
128/206.21
2009/0260628 A1* 10/2009 Flynn, Sr. A61M 16/0078
128/203.28
2012/0111330 A1* 5/2012 Gartner A61M 16/06
128/205.23
2013/0060157 A1* 3/2013 Beard A61M 16/06
600/532
2014/0243600 A1* 8/2014 Eisenberger A61M 16/0683
600/114
2014/0251332 A1* 9/2014 Martin A61M 16/0833
128/203.29
2014/0251333 A1* 9/2014 Burk A61M 16/0816
128/205.12
2015/0196723 A1* 7/2015 Matusik A61M 16/06
128/205.23
2015/0217075 A1* 8/2015 Nair A61M 16/085
600/531
2016/0038709 A1* 2/2016 Beard A61M 16/0816
128/205.12
2016/0184548 A1* 6/2016 Wallnewitz A61M 16/06
128/207.12

FOREIGN PATENT DOCUMENTS

JP 3192368 U 8/2014
JP 1527173 S 6/2015
WO WO 2010/059592 5/2010
WO WO 2011/077254 6/2011
WO WO 2012/150441 11/2012

* cited by examiner

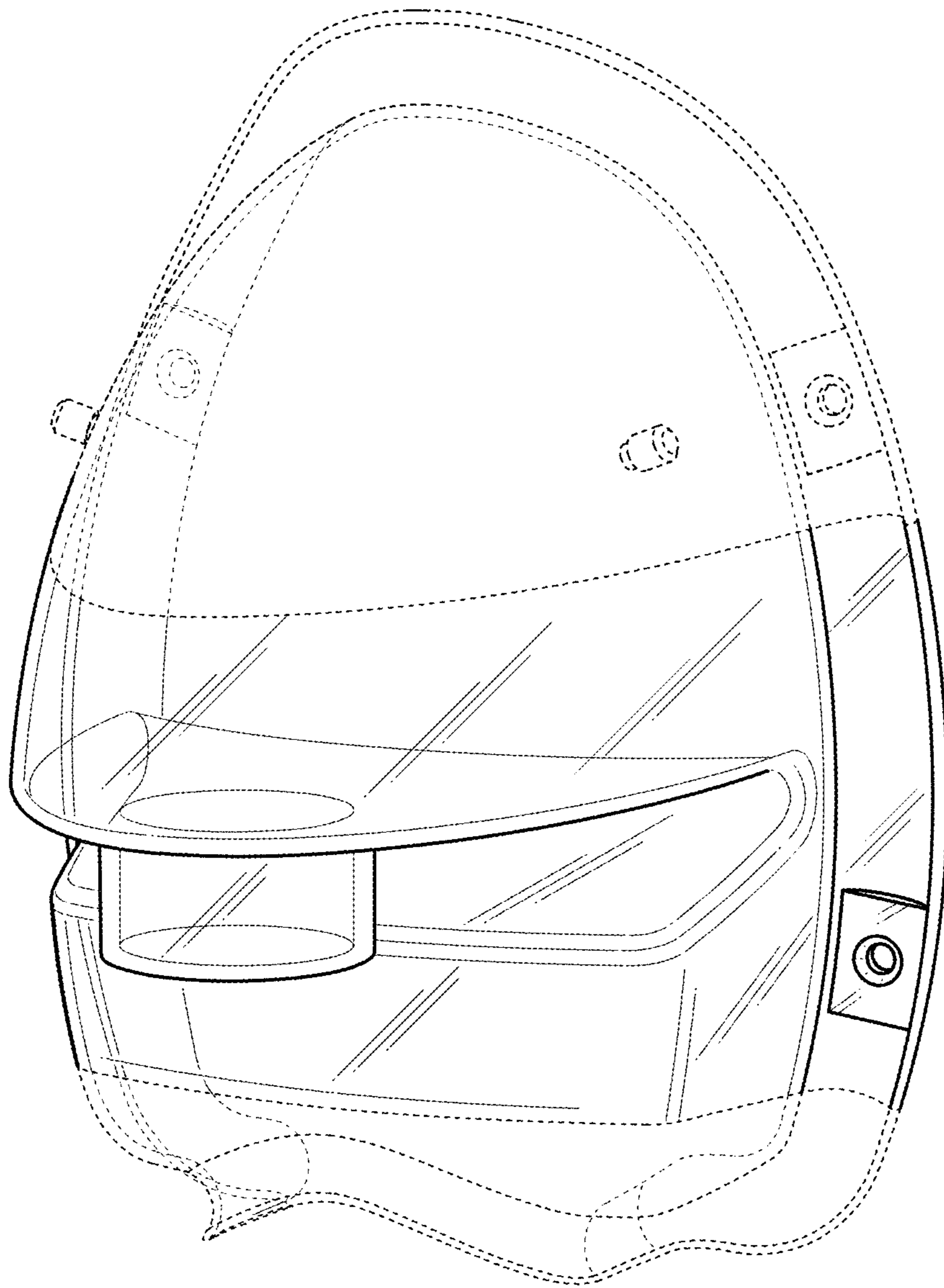


Fig. 1

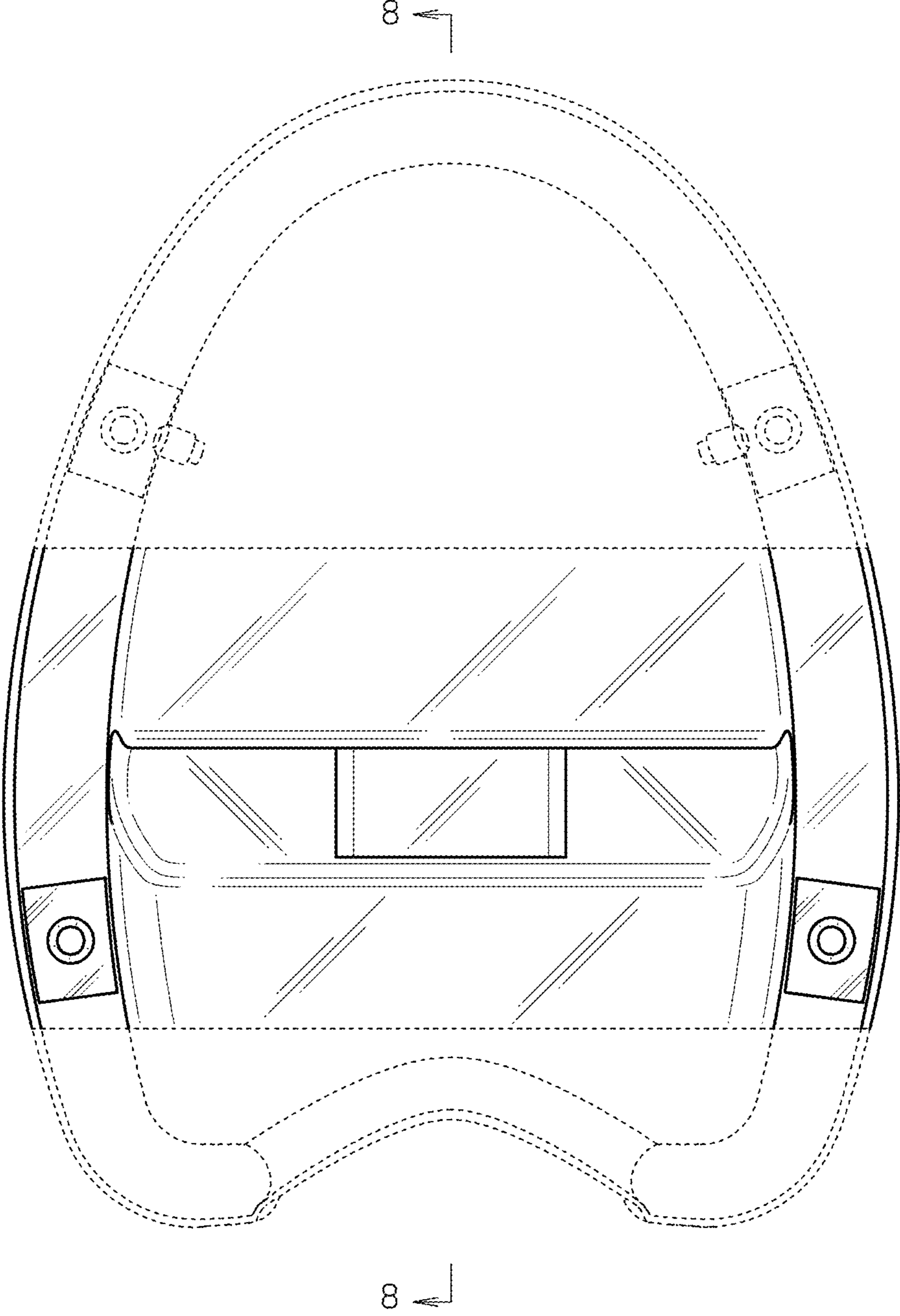


Fig. 2

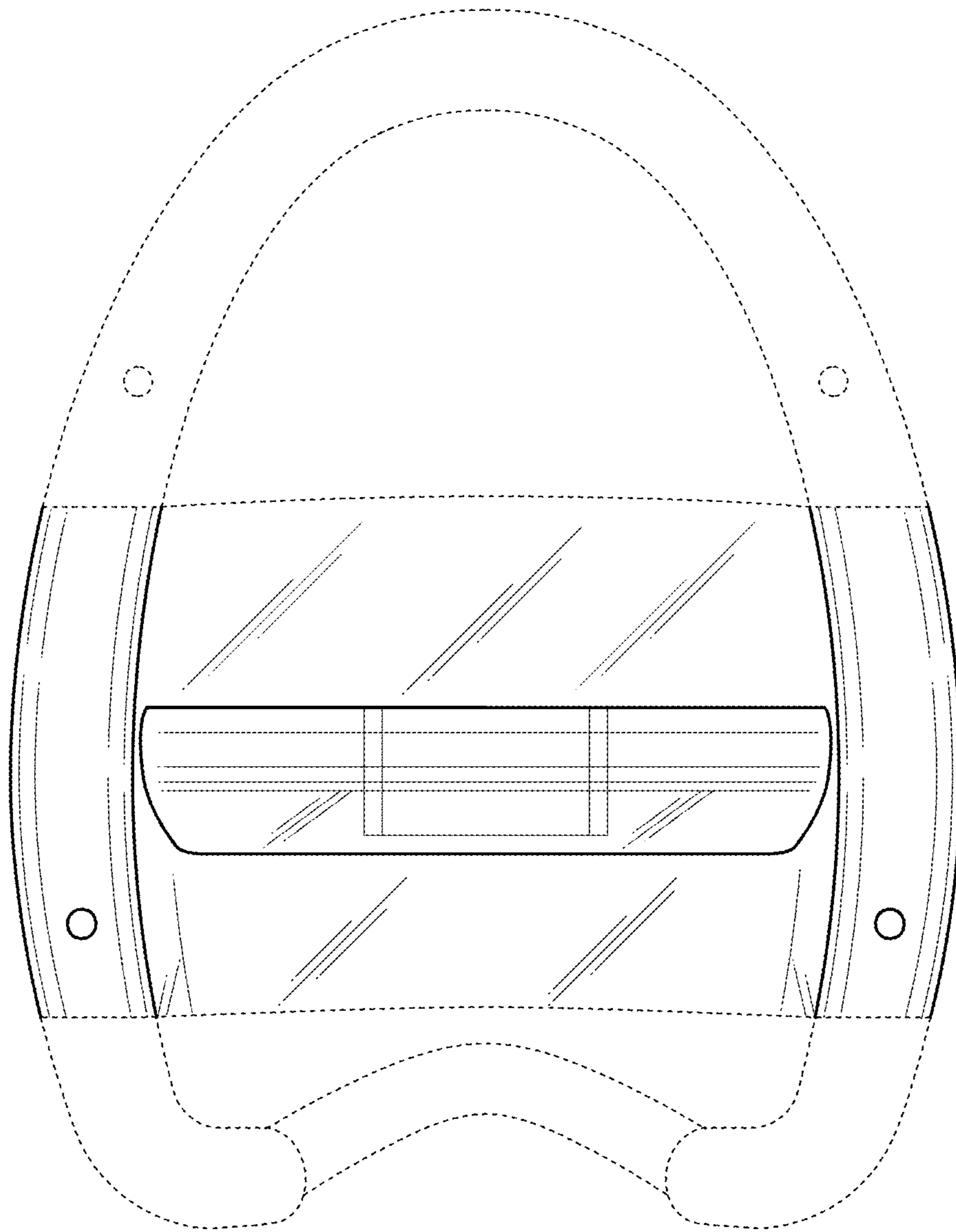


Fig. 3

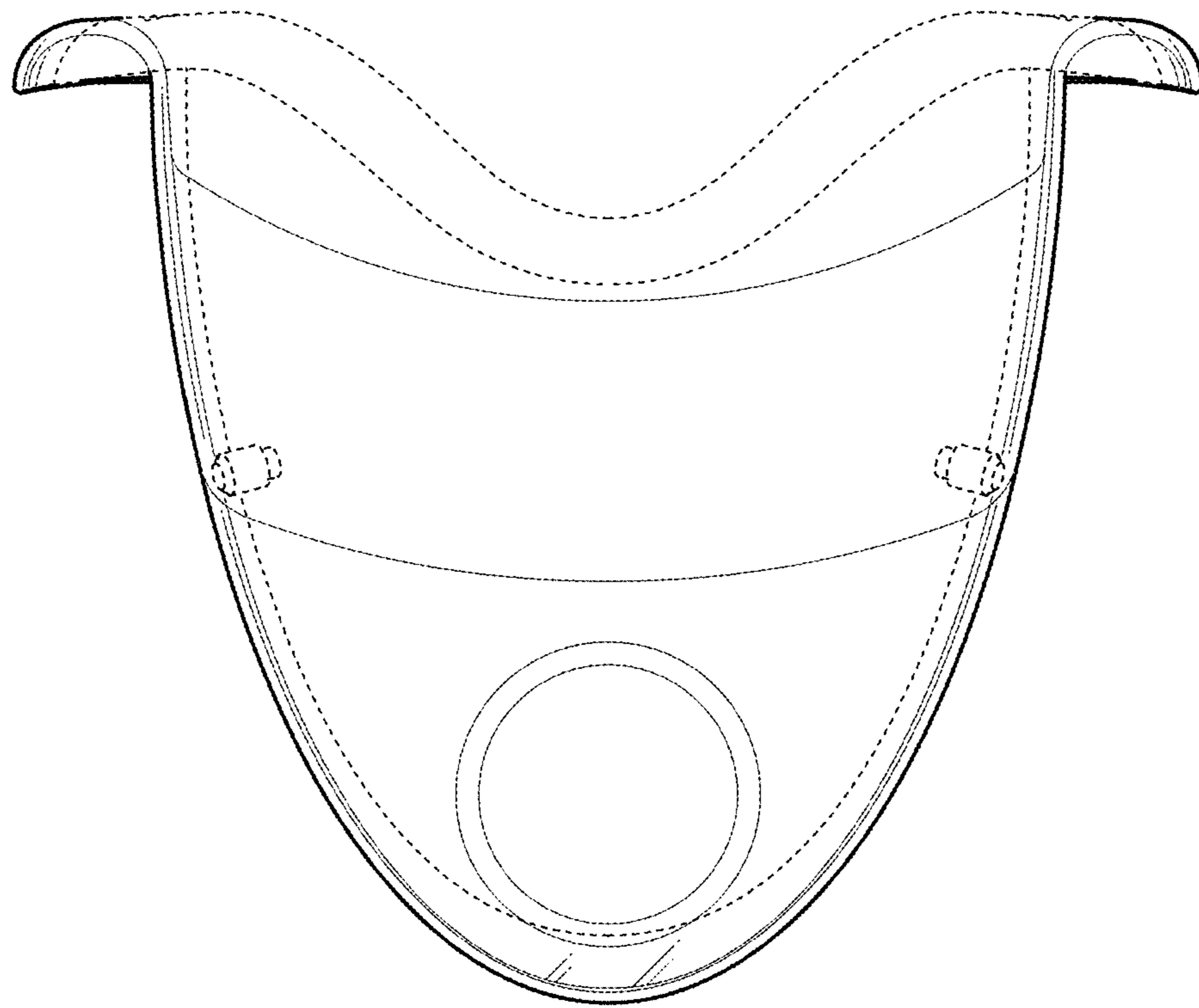


Fig. 4

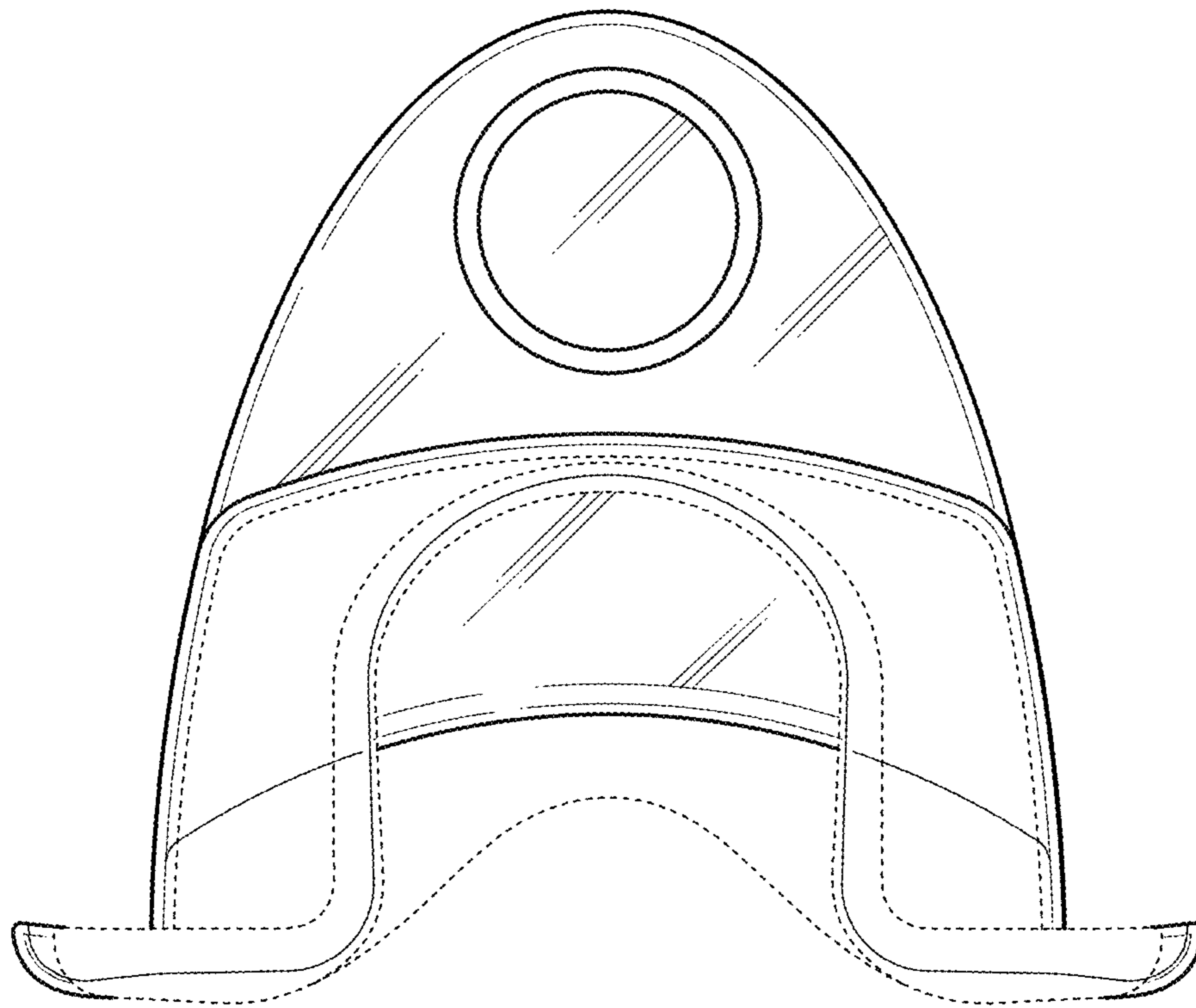


Fig. 5

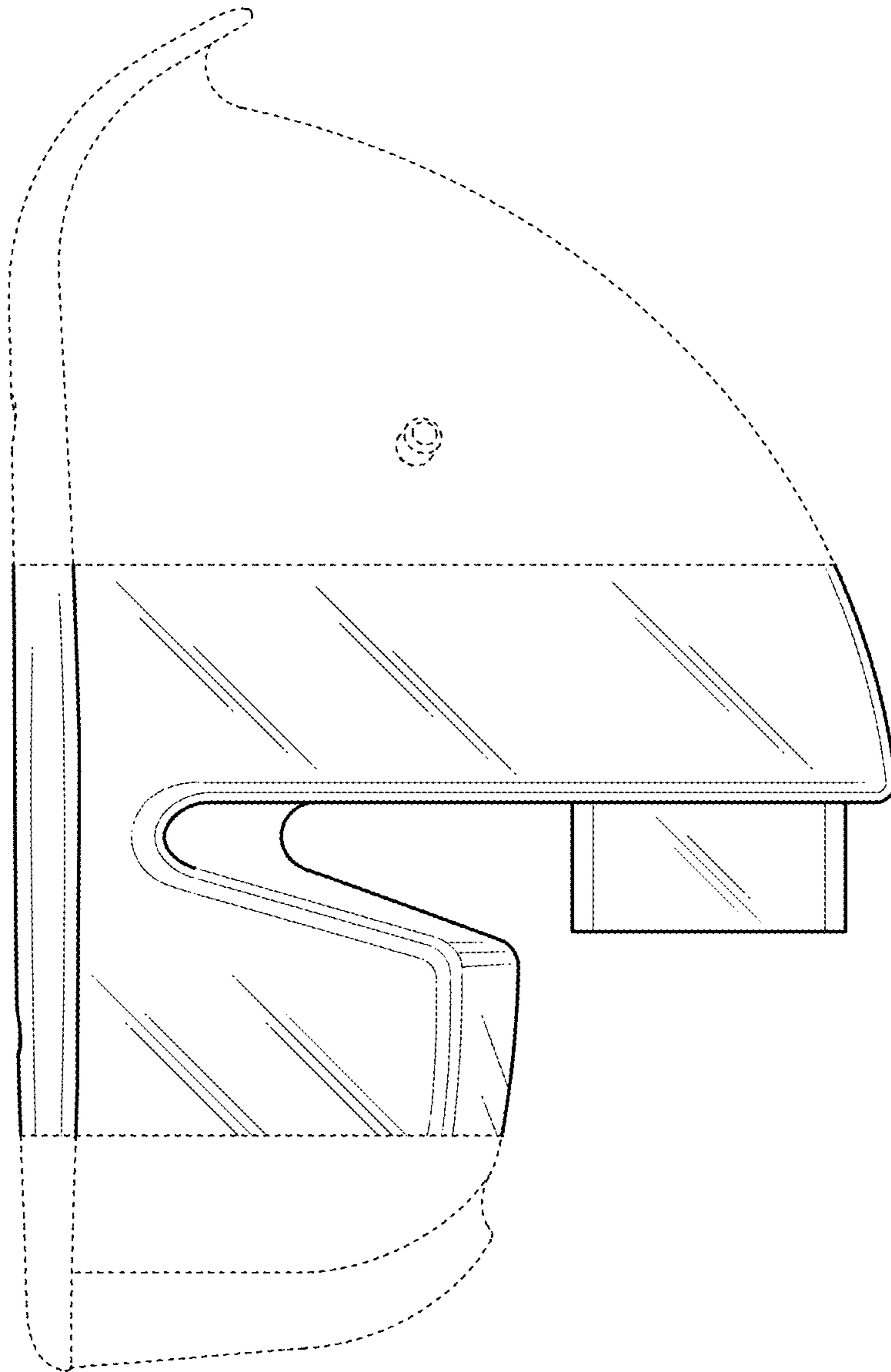


Fig. 6

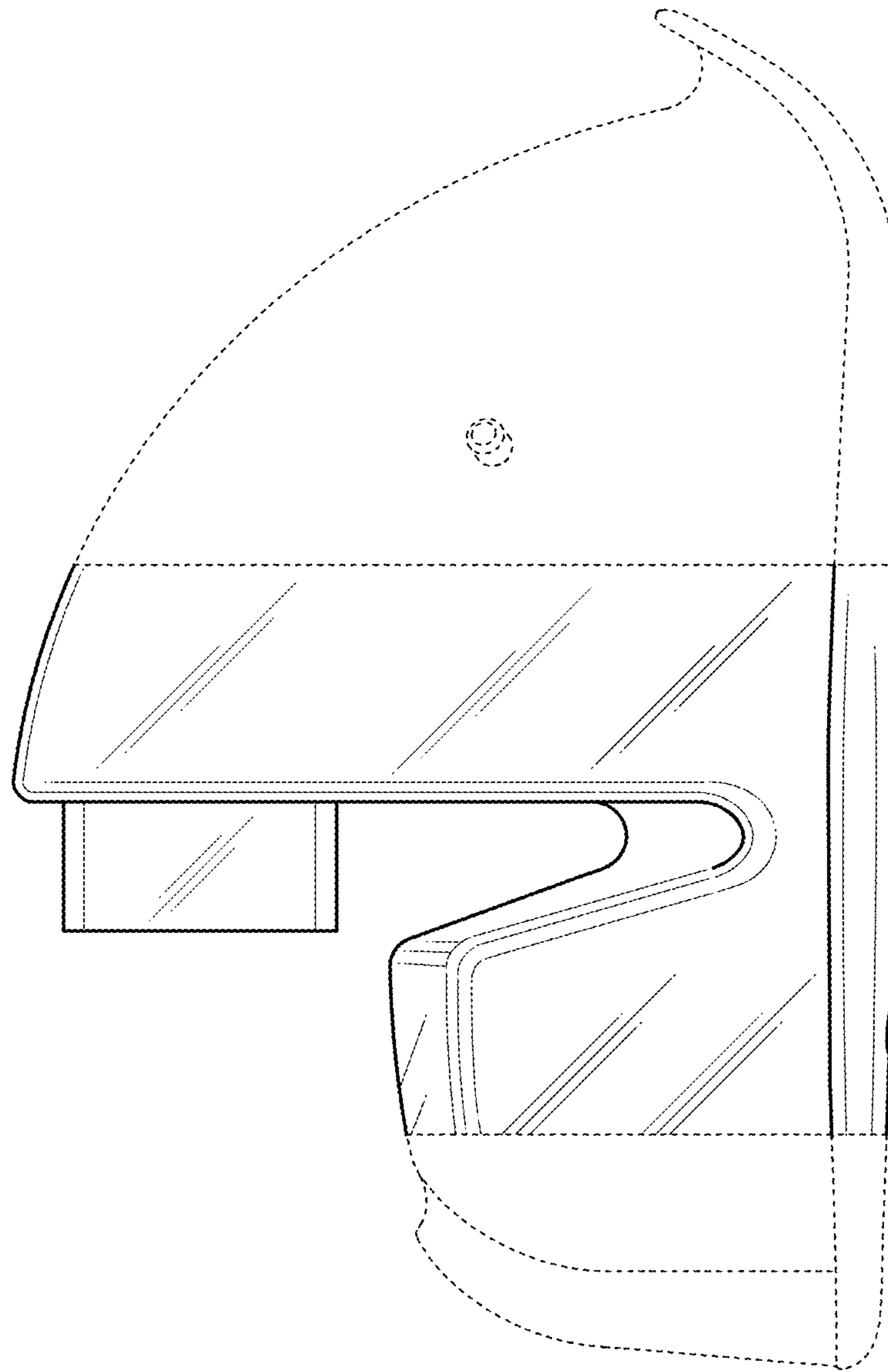


Fig. 7

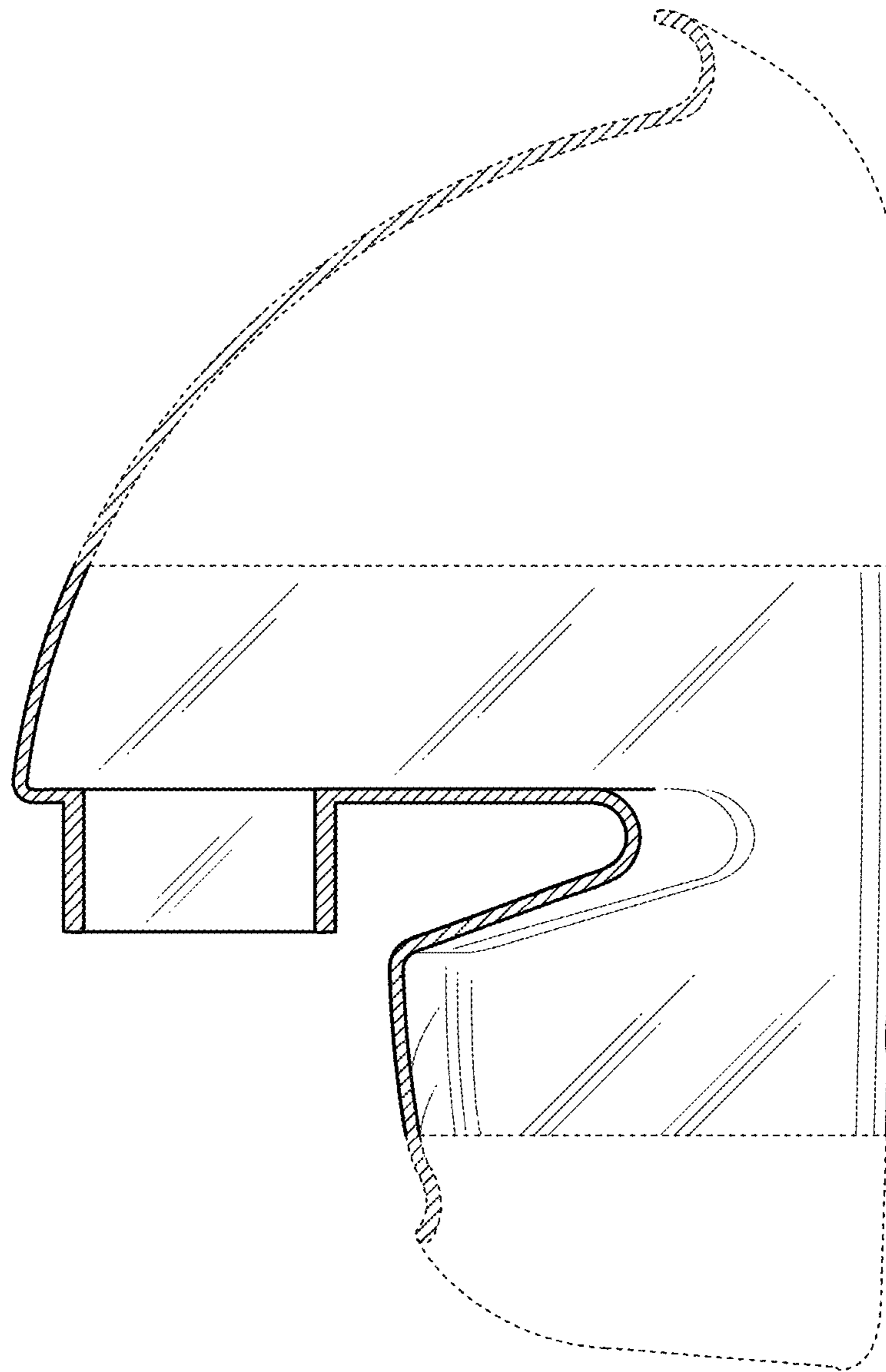


Fig. 8