



US00D787041S

(12) **United States Design Patent**  
**Lah et al.**

(10) **Patent No.:** **US D787,041 S**

(45) **Date of Patent:** **\*\* May 16, 2017**

- (54) **GAS BURNER**
- (71) Applicant: **Whirlpool Corporation**, Benton Harbor, MI (US)
- (72) Inventors: **Michael C. Lah**, Benton Harbor, MI (US); **Kyle A. Walters**, Benton Harbor, MI (US)
- (73) Assignee: **Whirlpool Corporation**, Benton Harbor, MI (US)

- 2,828,608 A \* 4/1958 Cowlin ..... F02C 3/14  
60/39.464
- 2,930,194 A \* 3/1960 Perkins ..... F23C 99/00  
431/158
- D191,085 S 8/1961 Kindl et al.
- 3,017,924 A \* 1/1962 Jenson ..... F23D 5/00  
431/18
- 3,777,985 A \* 12/1973 Hughes ..... F24H 1/124  
239/555
- D245,663 S 9/1977 Gordon
- 4,518,346 A \* 5/1985 Pistien ..... F23D 14/065  
126/39 H

(\*\*) Term: **15 Years**

(21) Appl. No.: **29/539,768**

(22) Filed: **Sep. 17, 2015**

(51) **LOC (10) Cl.** ..... **23-03**

(52) **U.S. Cl.**  
USPC ..... **D23/415**

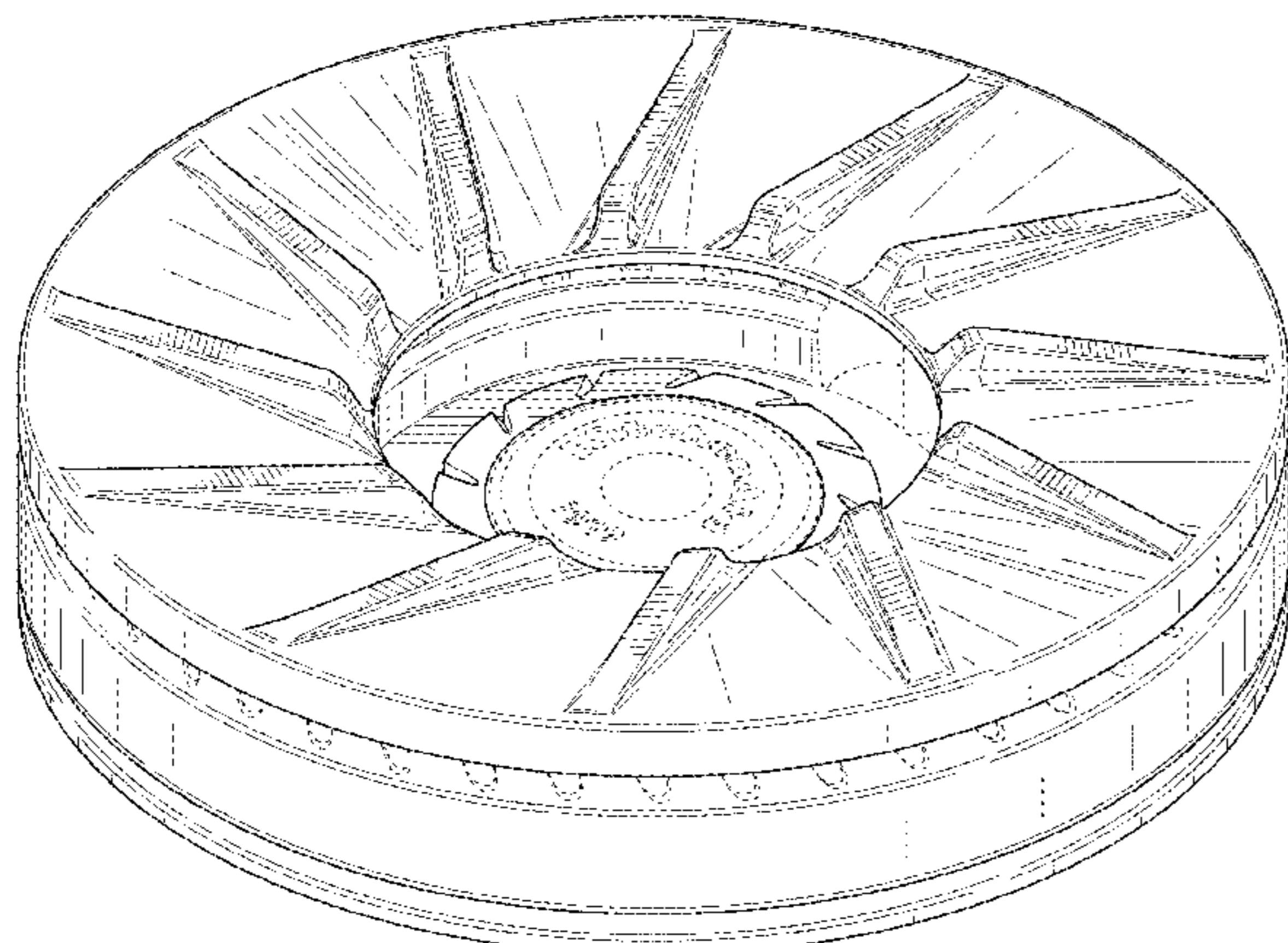
(58) **Field of Classification Search**  
USPC ..... D23/403, 405, 415, 421, 335, 336, 339,  
D23/344  
CPC .... F16B 3/04; F16H 2025/2071; F16H 59/02;  
A47J 36/34; F23D 5/00; F23D 14/02;  
F23D 14/04; F23D 14/06; F23D 14/065;  
F23D 14/46; F24C 3/08; F24C 3/085;  
F24C 3/103; F24C 15/101; F24C 15/14;  
F24H 1/12; F24H 1/124

See application file for complete search history.

(56) **References Cited**

**U.S. PATENT DOCUMENTS**

- 1,598,996 A \* 9/1926 Wheelock ..... F23D 14/06  
239/429
- 1,808,550 A \* 6/1931 Harpman ..... F24C 15/10  
126/215
- 2,024,510 A \* 12/1935 Crisenberry ..... F23D 14/04  
126/214 D
- 2,530,991 A \* 11/1950 Reeves ..... F24C 15/107  
126/214 C
- 2,777,407 A \* 1/1957 Schindler ..... F23C 3/008  
110/266



(Continued)

**OTHER PUBLICATIONS**

Built-In Gas Cooktop, image post date Feb. 18, 2015, site visited Oct. 19, 2016, (online), <<http://www.bestbuy.com/site/kitchenaid-36-built-in-gas-cooktop-stainless-steel/8636634.p?skuId=8636634>>.\*

(Continued)

*Primary Examiner* — Kevin Rudzinski  
*Assistant Examiner* — Sean D Lough

(74) *Attorney, Agent, or Firm* — Price Heneveld

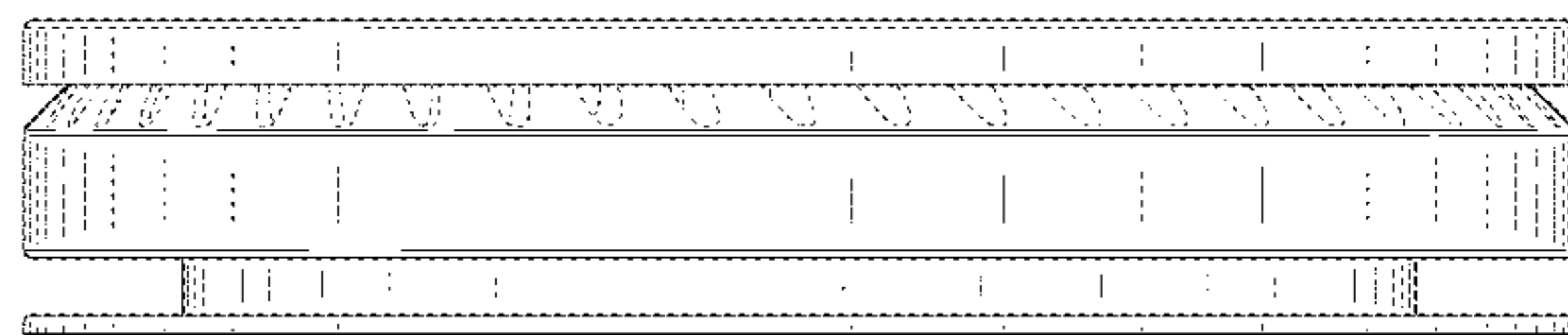
(57) **CLAIM**

The ornamental design for a gas burner, as shown and described.

**DESCRIPTION**

FIG. 1 is a front perspective view of a gas burner according to our design;  
FIG. 2 is a front elevational view thereof, back, left, and right views of the gas burner being identical thereto;  
FIG. 3 is a top plan view thereof; and,  
FIG. 4 is a bottom plan view thereof.  
The broken line showings of various features are for the purpose of illustrating portions of the gas burner and form no part of the claimed design.

**1 Claim, 4 Drawing Sheets**



(56)

References Cited

U.S. PATENT DOCUMENTS

4,689,961 A \* 9/1987 Stratton ..... F23R 3/14  
239/400  
4,846,671 A \* 7/1989 Kwiatek ..... F24C 3/103  
126/39 E  
4,891,936 A \* 1/1990 Shekleton ..... F23R 3/28  
60/746  
D309,398 S \* 7/1990 Lund ..... D7/407  
4,989,404 A \* 2/1991 Shekleton ..... F23R 3/28  
60/743  
D332,385 S \* 1/1993 Adams ..... D8/107  
D340,383 S \* 10/1993 Addison ..... D7/402  
D342,865 S \* 1/1994 Addison ..... D7/402  
D364,993 S \* 12/1995 Andrea ..... D7/407  
D369,517 S \* 5/1996 Ferlin ..... D7/407  
D378,578 S \* 3/1997 Eberhardt ..... D10/104.1  
5,913,675 A \* 6/1999 Vago ..... F23D 14/70  
122/18.31  
D414,377 S \* 9/1999 Huang ..... D7/407  
6,089,219 A \* 7/2000 Kodera ..... F23D 14/065  
126/39 H  
6,092,518 A \* 7/2000 Dane ..... F23D 14/06  
126/214 D  
6,155,820 A \* 12/2000 Dobbeling ..... F23C 7/002  
239/403  
6,192,669 B1 \* 2/2001 Keller ..... F23R 3/425  
60/804  
6,253,759 B1 \* 7/2001 Giebel ..... F23D 14/02  
126/215  
6,322,354 B1 \* 11/2001 Carbone ..... F23D 14/02  
126/39 E  
6,589,046 B2 \* 7/2003 Harneit ..... F23D 14/06  
126/39 BA  
6,655,954 B2 \* 12/2003 Dane ..... F23D 14/06  
126/39 E  
D524,105 S \* 7/2006 Poltronieri ..... D7/407  
7,083,123 B2 8/2006 Molla  
D544,753 S \* 6/2007 Tseng ..... D7/407  
D564,296 S \* 3/2008 Koch ..... D7/407  
D581,736 S \* 12/2008 Besseas ..... D7/407  
D592,445 S \* 5/2009 Sorenson ..... D7/359  
D598,959 S \* 8/2009 Kiddoo ..... D21/385  
D604,098 S \* 11/2009 Hamlin ..... D7/408  
7,721,727 B2 5/2010 Kobayashi  
7,841,333 B2 \* 11/2010 Kobayashi ..... A47J 36/34  
126/214 D  
D642,675 S \* 8/2011 Scribano ..... D23/415  
8,015,821 B2 \* 9/2011 Spytek ..... F02C 3/14  
60/39.17  
8,037,689 B2 \* 10/2011 Oskin ..... F23R 3/14  
60/737  
8,220,450 B2 7/2012 Luo et al.  
D665,491 S \* 8/2012 Goel ..... D15/144  
8,302,593 B2 \* 11/2012 Cadima ..... F23D 23/00  
126/25 R  
8,393,317 B2 \* 3/2013 Sorenson ..... A47J 37/0786  
126/246  
D685,225 S \* 7/2013 Santoyo ..... D7/407  
D687,675 S 8/2013 Filho et al.  
8,535,052 B2 \* 9/2013 Cadima ..... F23D 14/06  
126/214 R  
D693,175 S \* 11/2013 Saubert ..... D7/407  
8,616,193 B2 \* 12/2013 Padgett ..... F23D 14/06  
126/39 E

8,747,108 B2 6/2014 Lona Santoyo et al.  
D718,061 S \* 11/2014 Wu ..... D5/23  
8,932,049 B2 \* 1/2015 Ryu ..... F23D 14/06  
126/39 E  
D727,489 S \* 4/2015 Rohskopf ..... D23/388  
D735,525 S \* 8/2015 Nguyen ..... D23/233  
D743,203 S \* 11/2015 Filho ..... D7/407  
D750,314 S \* 2/2016 Hobson ..... D26/118  
D758,107 S \* 6/2016 Hamilton ..... D6/677  
D766,036 S \* 9/2016 Koch ..... D7/407  
D766,696 S \* 9/2016 Kemker ..... D8/310  
2004/0195399 A1 \* 10/2004 Molla ..... F24C 3/085  
239/594  
2004/0224273 A1 \* 11/2004 Inomata ..... F23D 14/065  
431/354  
2004/0224274 A1 \* 11/2004 Tomiura ..... F23D 14/06  
431/354  
2005/0112520 A1 \* 5/2005 Todoli ..... F23D 14/06  
431/349  
2007/0124972 A1 \* 6/2007 Ratcliffe ..... B60R 13/005  
40/591  
2007/0281267 A1 12/2007 Li  
2008/0050687 A1 \* 2/2008 Wu ..... F23D 14/065  
431/354  
2009/0320823 A1 \* 12/2009 Padgett ..... F23D 14/06  
126/39 E  
2010/0035197 A1 \* 2/2010 Cadima ..... F23D 14/06  
431/285  
2010/0126496 A1 \* 5/2010 Luo ..... F23D 14/06  
126/39 E  
2012/0017595 A1 \* 1/2012 Liu ..... F23D 14/02  
60/737  
2012/0036855 A1 \* 2/2012 Hull ..... F23D 11/103  
60/737  
2013/0252188 A1 \* 9/2013 Chen ..... F23D 14/06  
431/353  
2013/0255663 A1 \* 10/2013 Cadima ..... F24C 3/085  
126/39 E  
2014/0116416 A1 \* 5/2014 Saubert ..... F24C 3/085  
126/39 E  
2014/0318527 A1 10/2014 Silva et al.  
2015/0153041 A1 \* 6/2015 Neumeier ..... F23D 14/62  
239/405  
2016/0116160 A1 \* 4/2016 Takeuchi ..... F23D 14/02  
431/328  
2016/0178209 A1 \* 6/2016 Park ..... F24C 3/08  
126/39 E  
2016/0187002 A1 \* 6/2016 Ryu ..... F24C 15/101  
126/214 D  
2016/0201902 A1 \* 7/2016 Cadima ..... F24C 3/085  
126/39 E  
2016/0296067 A1 \* 10/2016 Laws ..... A47J 36/34

OTHER PUBLICATIONS

True-Heat burner, image post date Jan. 30, 2015, site visited Oct. 19, 2016, (online), <<http://ovens.reviewed.com/news/kitchenaid-has-a-new-flame>>.\*  
Metal Cover Gas Hob, image post date 2012, site visited Oct. 19, 2016, (online), <<http://inse.gmc.globalmarket.com/products/details/metal-cover-gas-hob-8516959.html>>.\*  
Penny Stove, image post date 2004, site visited Oct. 19, 2016, (online), <<http://www.jureystudio.com/pennystove/stoveinstruct.html>>.\*

\* cited by examiner



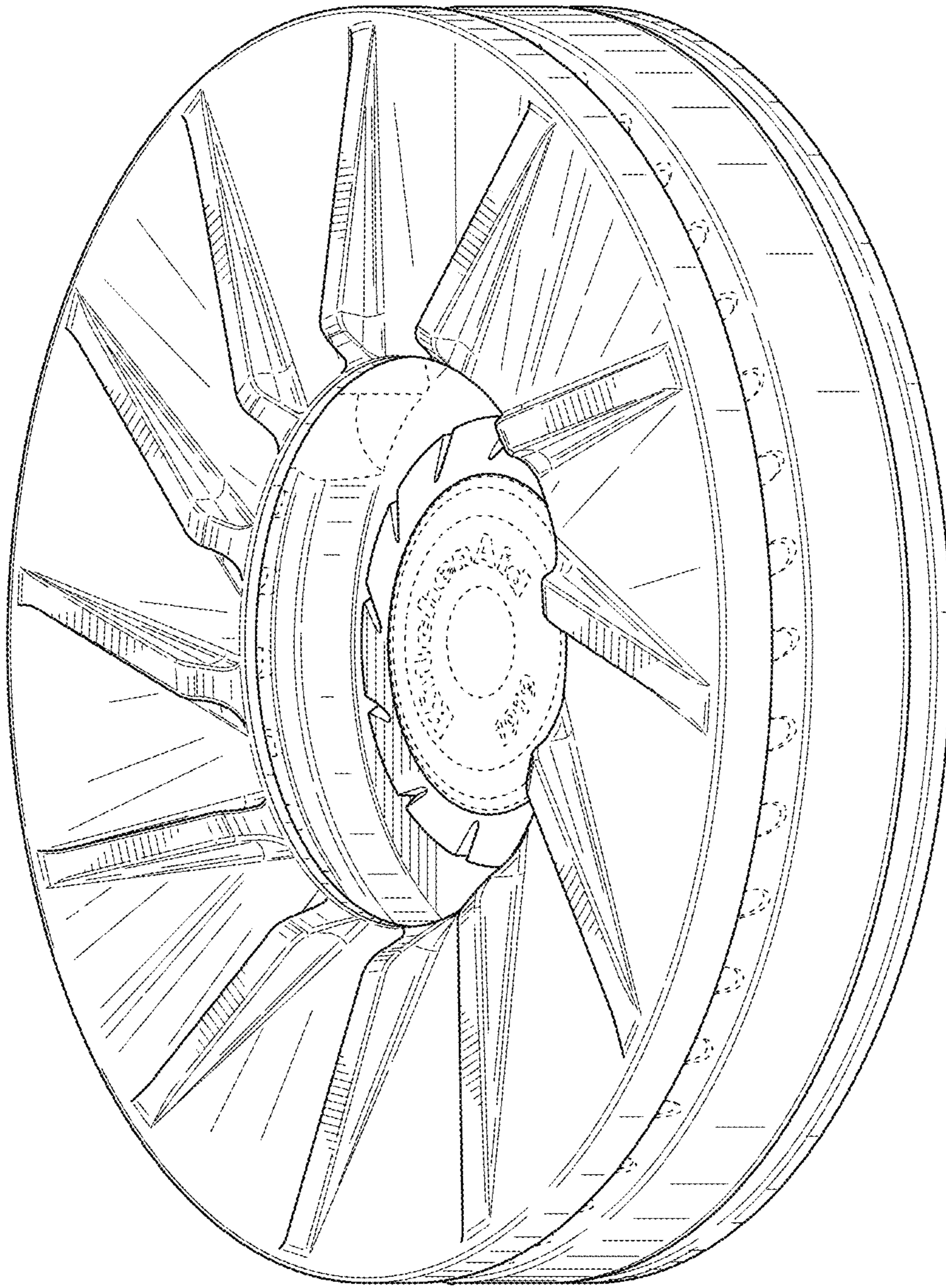


FIG. 1

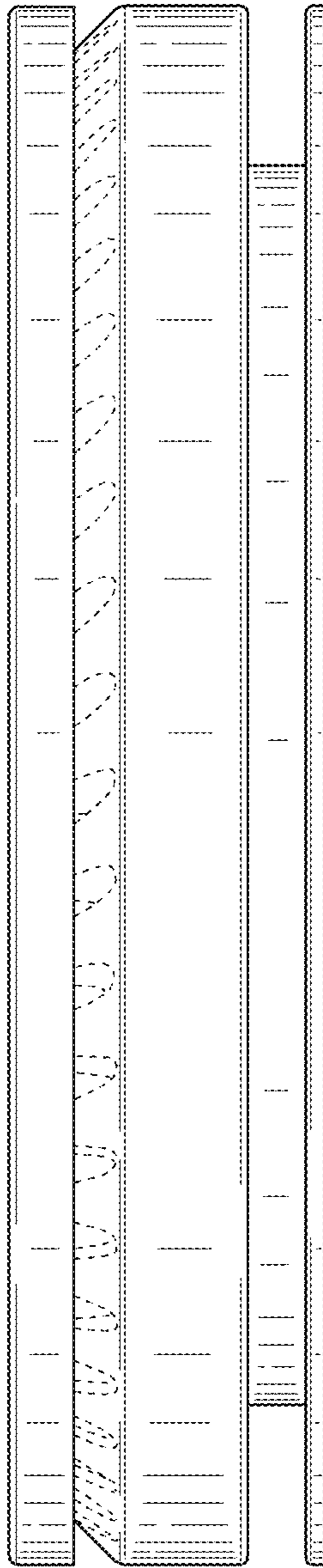


FIG. 2

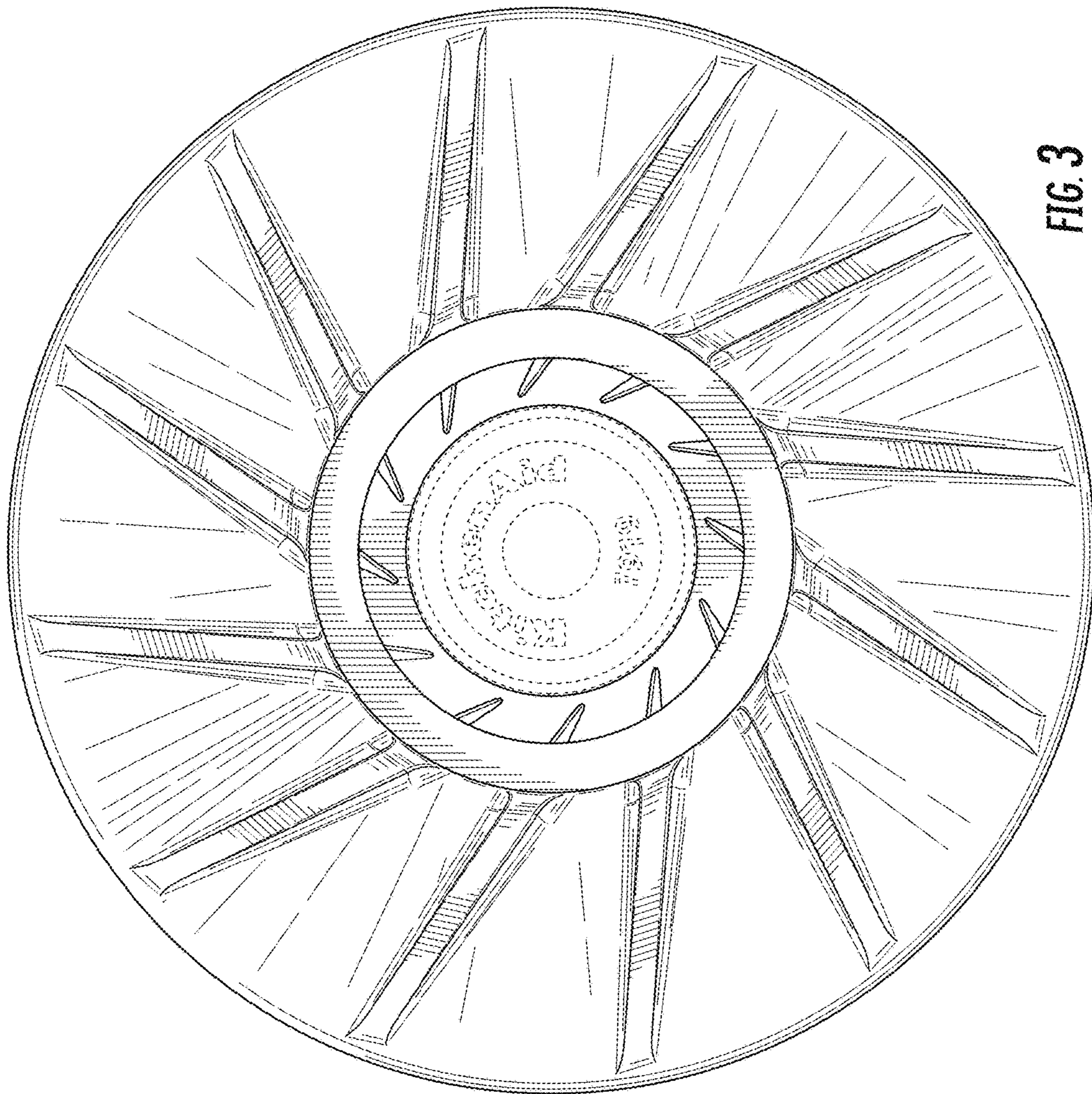


FIG. 3

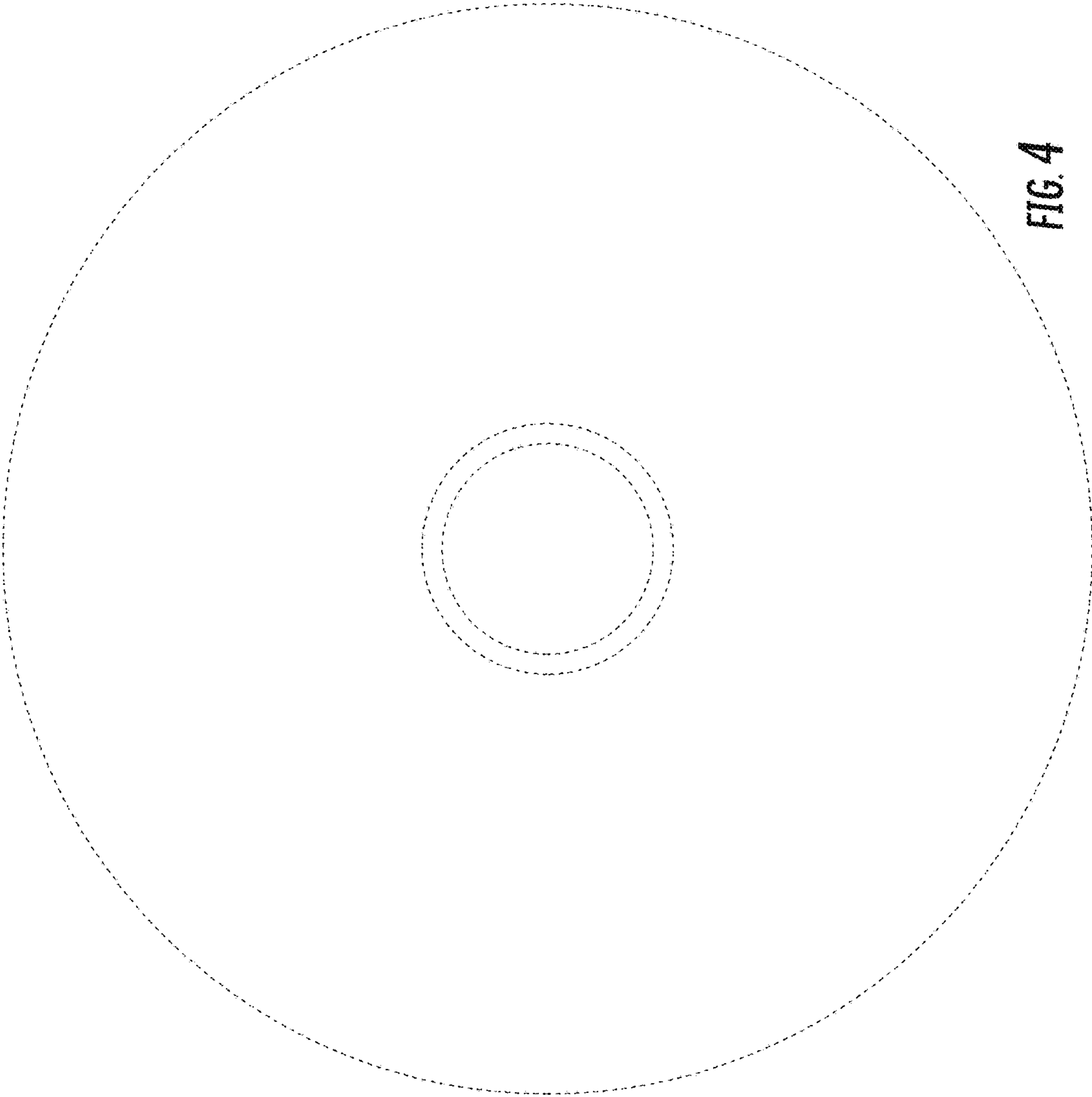


FIG. 4