



US00D787040S

(12) **United States Design Patent** (10) **Patent No.:** **US D787,040 S**  
**Badarello et al.** (45) **Date of Patent:** **\*\* May 16, 2017**

(54) **MEDALLION FOR A BLADE IRON OF A CEILING FAN**

(71) Applicant: **HUNTER FAN COMPANY**,  
Memphis, TN (US)

(72) Inventors: **Christophe Badarello**, Holly Springs,  
MS (US); **Christine Holmes**, Cordova,  
TN (US)

(73) Assignee: **Hunter Fan Company**, Memphis, TN  
(US)

(\*\*) Term: **15 Years**

(21) Appl. No.: **29/537,647**

(22) Filed: **Aug. 27, 2015**

(51) **LOC (10) Cl.** ..... **23-04**

(52) **U.S. Cl.**  
USPC ..... **D23/411**

(58) **Field of Classification Search**  
USPC ..... D23/370-387, 411-414, 365, 355, 342,  
D23/332, 328, 337, 335, 314, 393;  
415/60, 66, 68, 208.1, 213.1, 214.1,  
415/209.3; 310/257; 361/695;  
126/299 D, 299 R; D26/59, 89;  
416/210 R  
CPC ..... F01D 9/042; F04D 25/08; F04D 29/70;  
F04D 29/34; F04D 19/00; F24F 7/007;  
F24F 13/082; F24F 7/065; F24F 13/078  
See application file for complete search history.

(56) **References Cited**

U.S. PATENT DOCUMENTS

D324,266 S 2/1992 Holbrook  
D328,951 S \* 8/1992 Scofield ..... D23/411  
D329,494 S 9/1992 Holbrook  
D401,687 S 11/1998 Pearce et al.  
D408,076 S 4/1999 Zuege  
D416,616 S 11/1999 LaSpina  
D422,352 S 4/2000 Gee, II

D442,275 S \* 5/2001 Dolan ..... D23/411  
D448,841 S 10/2001 Campbell  
D452,306 S 12/2001 Jaspers-Fayer  
D471,971 S 3/2003 Hurlstone et al.  
D492,764 S 7/2004 Campbell  
D510,428 S \* 10/2005 Hidalgo ..... D23/411  
D526,405 S 8/2006 Wang

(Continued)

OTHER PUBLICATIONS

<http://www.kichler.com/products/product/30-inch-canfield-fan-obb-300103obb.aspx>, Item Specification for Canfield 30" Collection 30 Inch Canfield Fan 300103OBB, accessed Aug. 27, 2015.

(Continued)

*Primary Examiner* — Susan Bennett Hattan

*Assistant Examiner* — Janice Hallmark

(74) *Attorney, Agent, or Firm* — McGarry Bair PC

(57) **CLAIM**

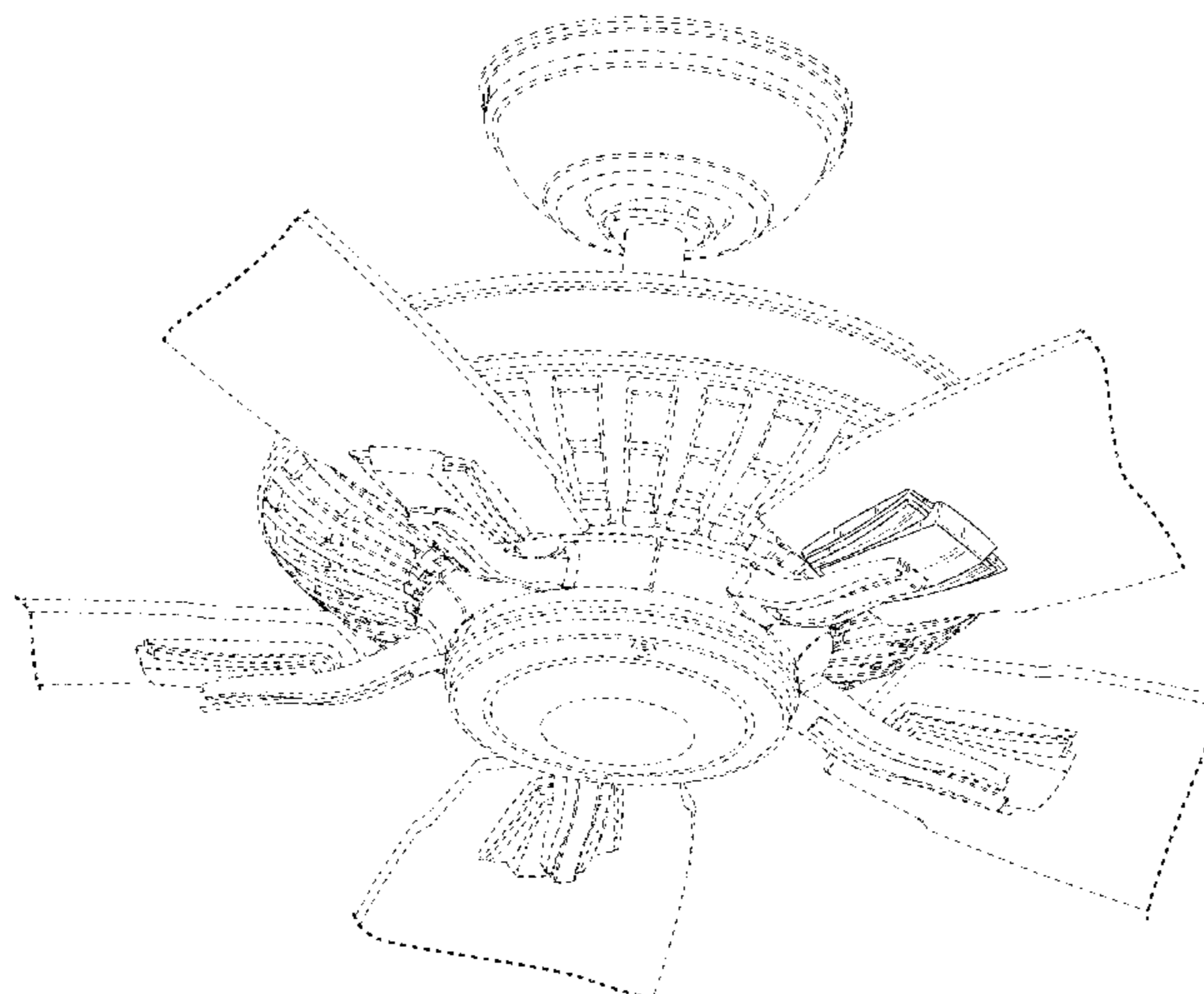
The ornamental design for a medallion for a blade iron of a ceiling fan, as shown and described.

**DESCRIPTION**

FIG. 1 is a perspective view of a medallion for a blade iron of a ceiling fan showing our new design; FIG. 2 is another perspective view thereof; FIG. 3 is a right side view thereof; FIG. 4 is a left side view thereof; FIG. 5 is a rear end view thereof; FIG. 6 is a front end view thereof; and, FIG. 7 is a bottom view thereof; the top view of the medallion for a blade iron of a ceiling fan forms no part of the claimed design.

The broken lines in the drawings depict parts of the medallion for a blade iron of a ceiling fan in FIGS. 2, 4, and 6, a ceiling fan with blade irons in FIG. 1, and a blade iron in FIGS. 2 through 7, all broken lines form no part of the claimed design.

**1 Claim, 5 Drawing Sheets**



(56)

**References Cited**

U.S. PATENT DOCUMENTS

D533,654 S	12/2006	Burns	
D581,512 S	11/2008	Hidalgo	
D594,540 S *	6/2009	Pan .....	D23/377
D594,549 S *	6/2009	Pan .....	D23/411
D594,550 S *	6/2009	Pan .....	D23/411
D598,998 S	8/2009	Flores	
D706,409 S *	6/2014	Wang .....	D23/411
D745,960 S *	12/2015	Pickett .....	D23/411
2009/0246028 A1 *	10/2009	Richardson .....	F04D 29/34 416/210 R

OTHER PUBLICATIONS

<http://www.minkagroup.net/products/f589-orb>, Item Specification for the Minka Sundowner 54" Ceiling Fan F589-ORB, accessed Aug. 27, 2015.

<http://www.craftmade.com/Craftmade-C208AG-Bronze-Ceiling-Fan-Motor.HTM>, Item Specification for Craftmade Pro Builder 208 52" Ceiling Fan C208AG, accessed Aug. 27, 2015.

<http://www.kichler.com/products/product/52-inch-kichler-basics-fan-snb-404snb.aspx>, Item Specification for 52 Inch Kichler Basics Fan SNB 404SNB, accessed Aug. 27, 2015.

<http://www.kichler.com/products/product/52-inch-canfield-climates-fan-cmo-320500cmo.aspx>, Item Specification for 52 Inch Canfield Climates Fan CMO 320500CMO, accessed Aug. 27, 2015.

<http://www.kichler.com/products/product/52-inch-sutter-place-fan-obb-339011obb.aspx>, Item Specification for 52 Inch Sutter Place Fan OBB 339011OBB, accessed Aug. 27, 2015.

<http://www.montecarlofans.com/33309/60-Bonneville-Max-5BHM60BS.html>, Item Specification for Bonneville Max 60" Ceiling Fan 5BHM60BS, accessed Aug. 27, 2015.

<http://www.homedepot.com/p/Illuminate-52-in-English-Bronze-Ceiling-Fan-with-Cream-Marble-Glass-CLI-SH202853113/202853113?N=5yclvZbvlqZp4Z8ky>, Item Specification for Illuminate 52 in. English Bronze Ceiling Fan with Cream Marble Glass, Model # CLO-SH202853113, accessed Aug. 27, 2015.

\* cited by examiner

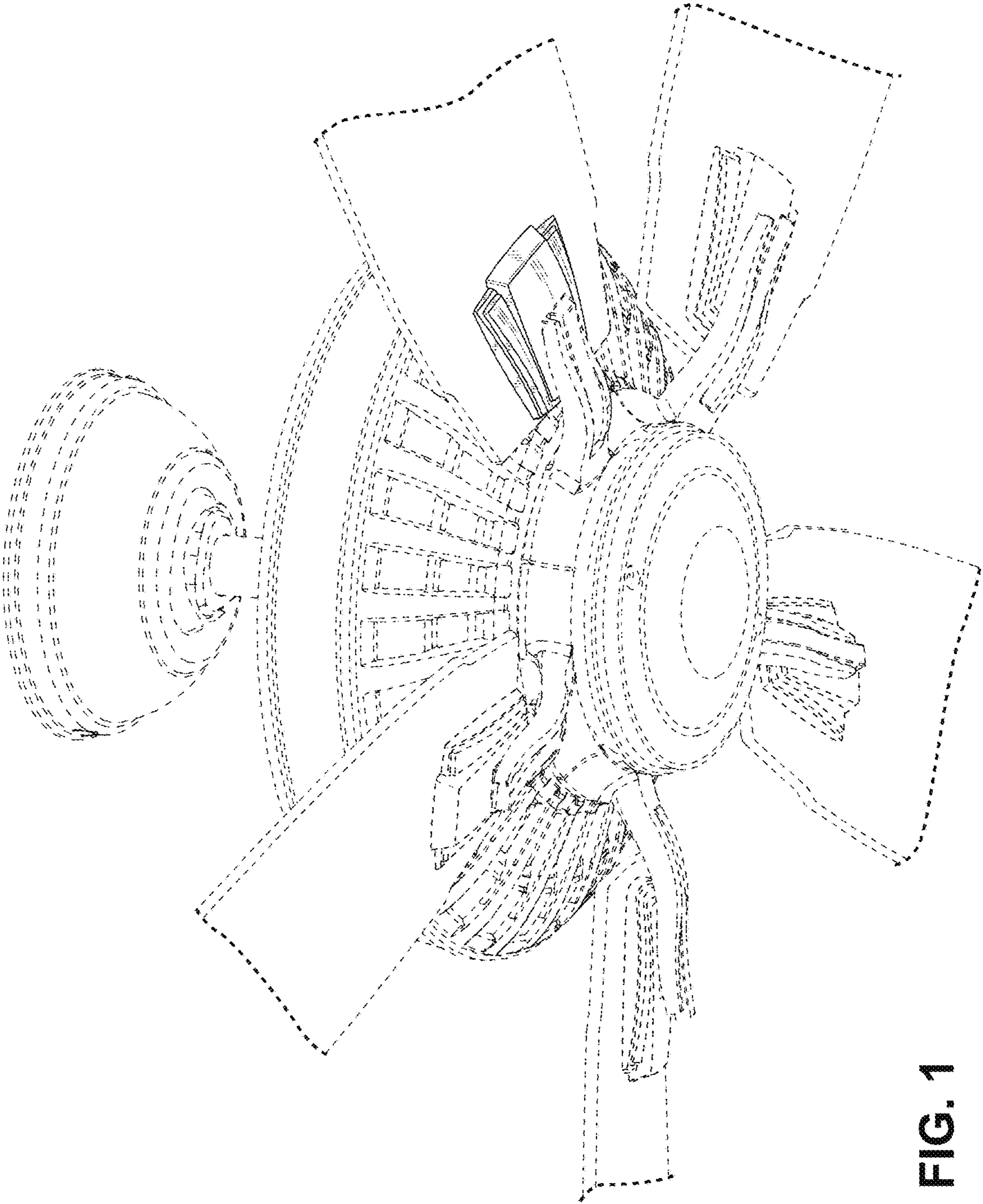
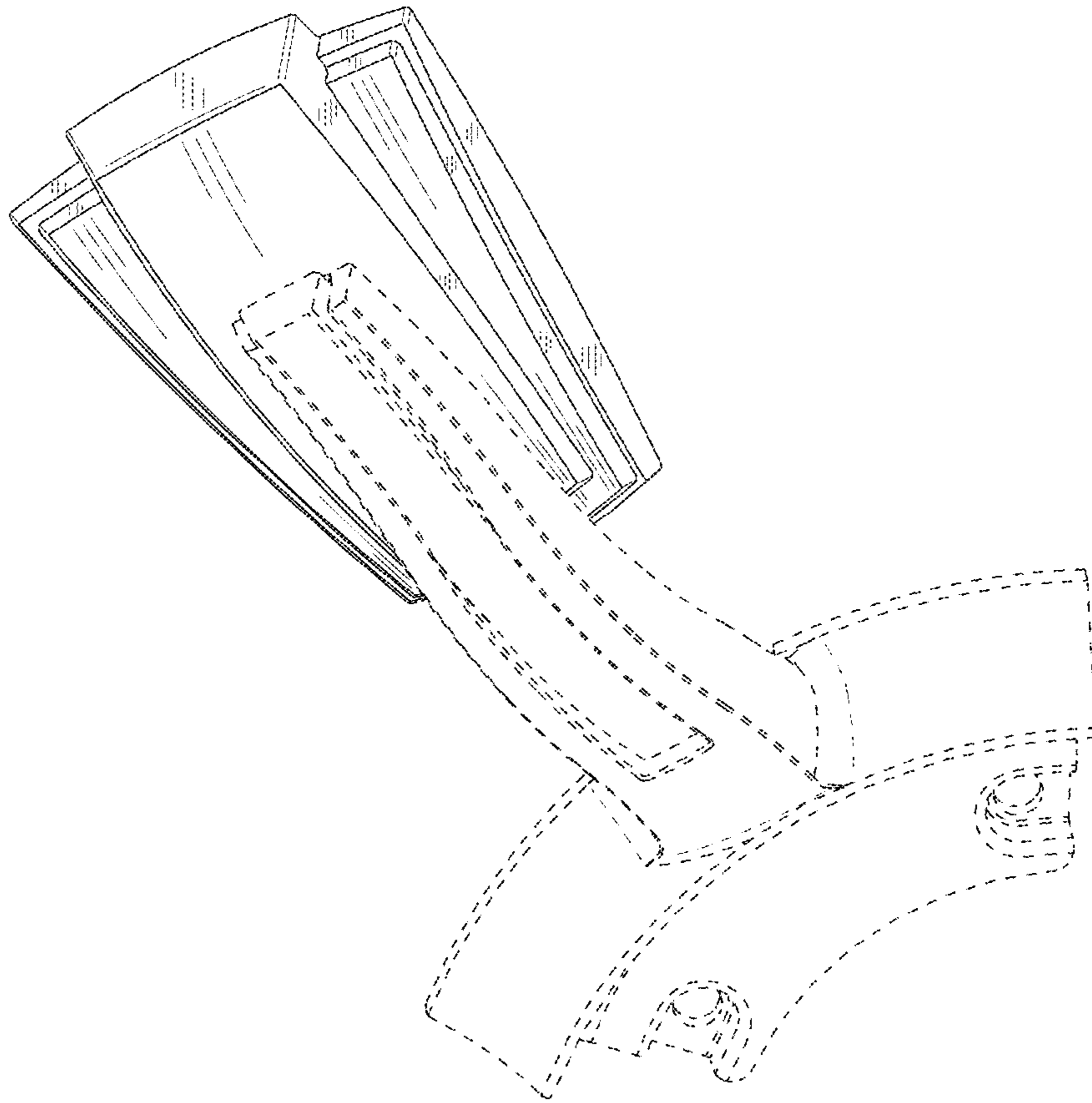
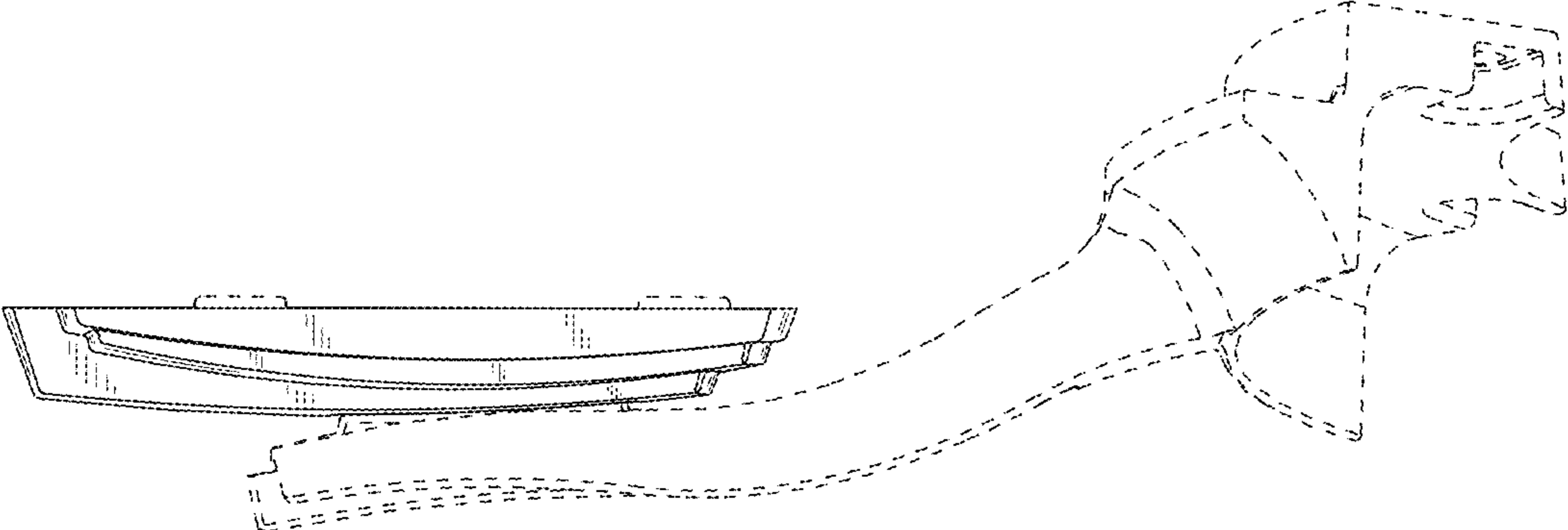


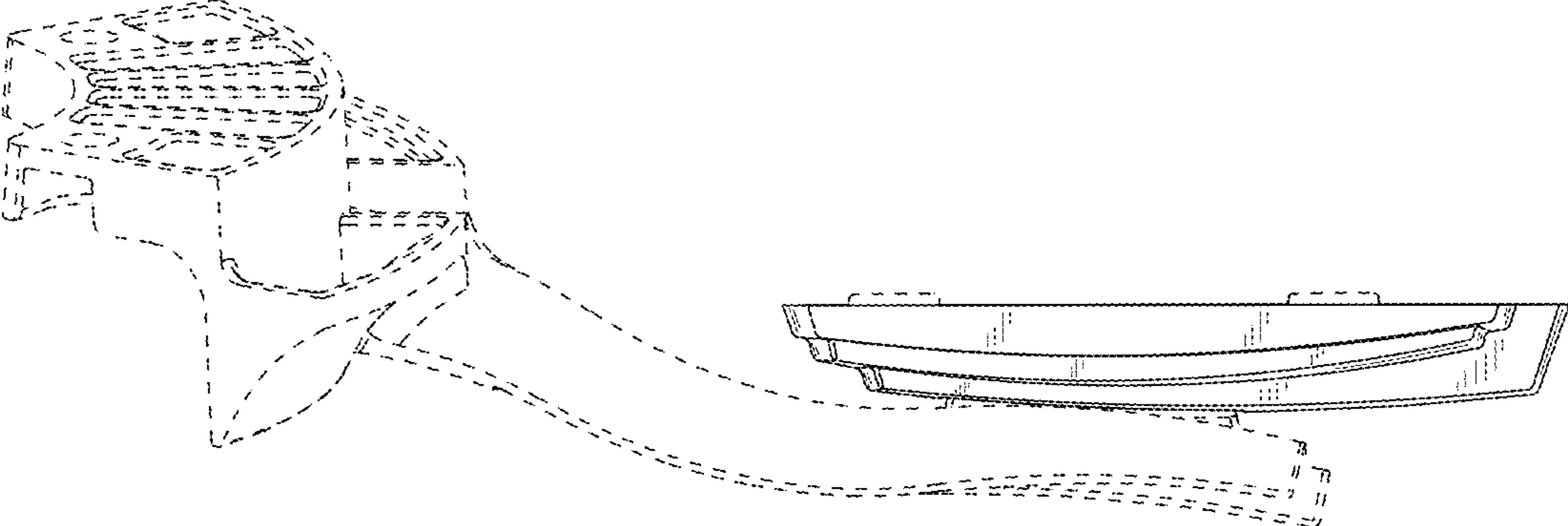
FIG. 1



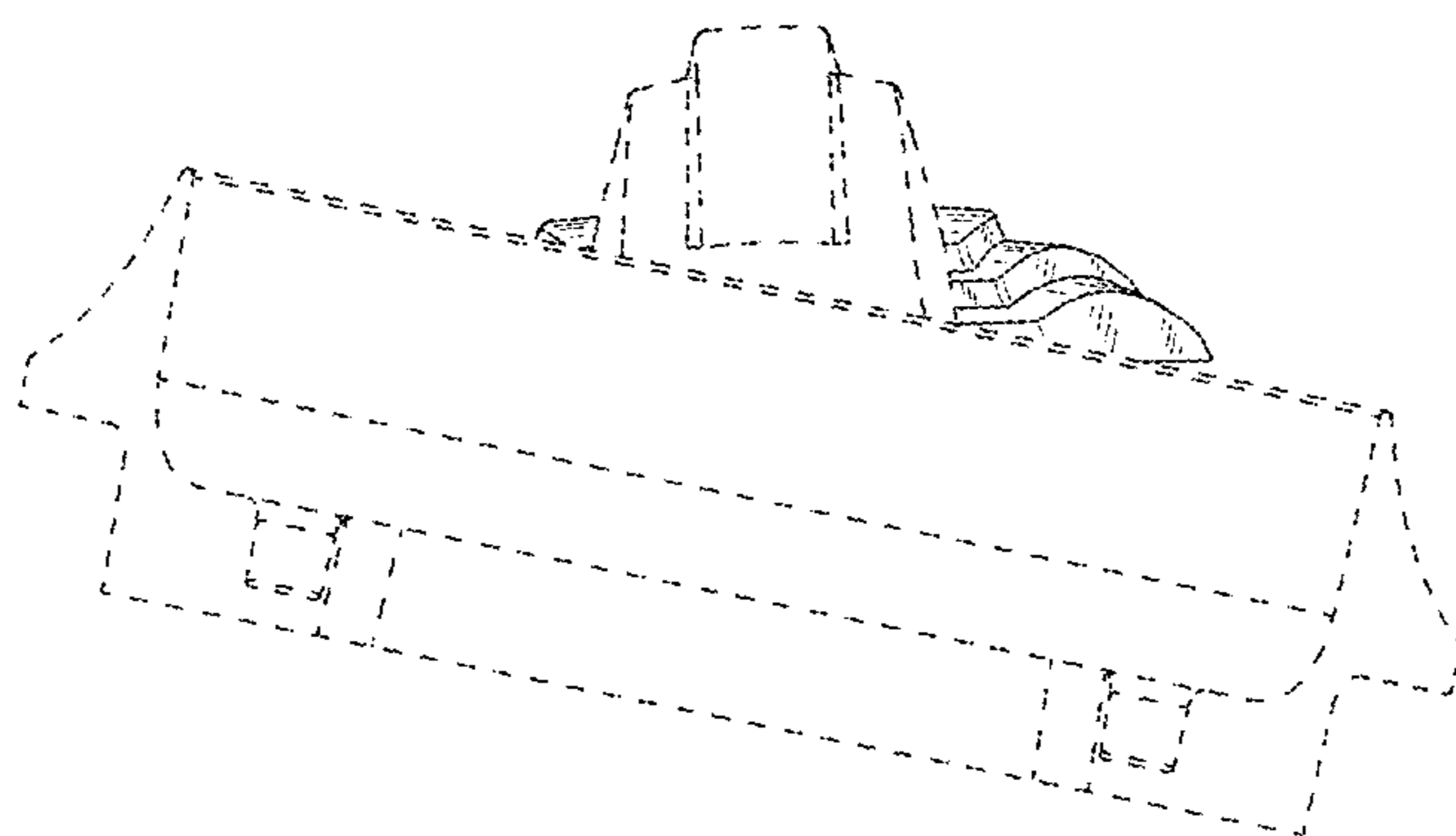
**FIG. 2**



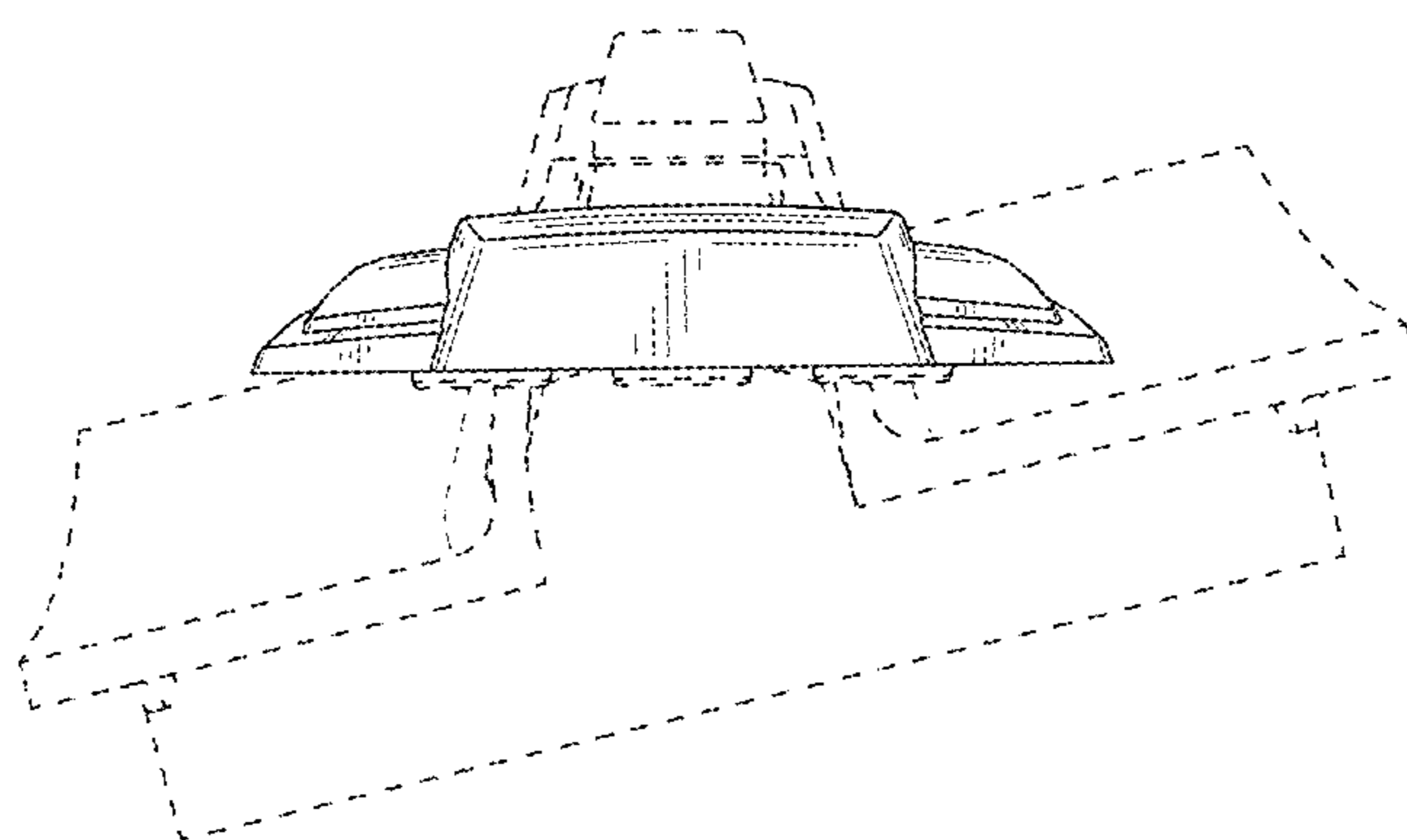
**FIG. 3**



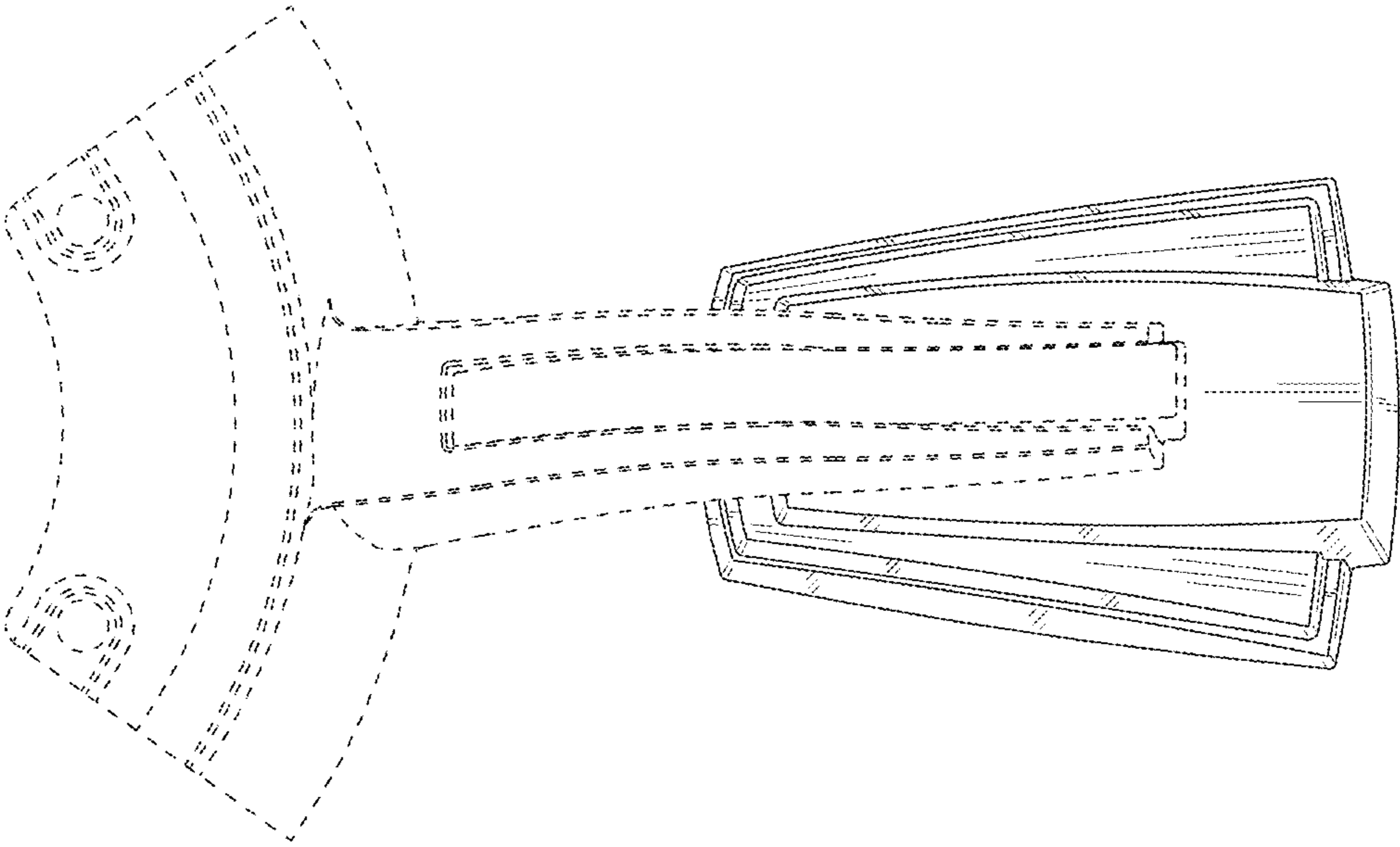
**FIG. 4**



**FIG. 5**



**FIG. 6**



**FIG. 7**