



US00D787037S

(12) **United States Design Patent** (10) **Patent No.:** **US D787,037 S**
Allard et al. (45) **Date of Patent:** **** May 16, 2017**

(54) **FAN**
(71) Applicant: **DOMETIC SWEDEN AB**, Solna (SE)
(72) Inventors: **James Allard**, Davisburg, MI (US);
Mark L. Smith, Buchanan, MI (US);
Hari Sunkara, Elkhart, IN (US)
(73) Assignee: **Dometic Sweden AB**, Solna (SE)
(**) Term: **15 Years**

D736,368 S * 8/2015 Xu D23/370
D742,294 S * 11/2015 Iancului D12/204
2003/0012656 A1* 1/2003 Cho F04D 29/326
416/235

(Continued)

FOREIGN PATENT DOCUMENTS

AU 367696 3/2016
AU 367699 3/2016

(Continued)

OTHER PUBLICATIONS

Transmittal Letter of Related Applications Nov. 1, 2016.

(Continued)

Primary Examiner — Cynthia Underwood
(74) *Attorney, Agent, or Firm* — Middleton Reutlinger;
James E. Cole

(21) Appl. No.: **29/532,130**
(22) Filed: **Jul. 1, 2015**
(51) **LOC (10) Cl.** **23-04**
(52) **U.S. Cl.**
USPC **D23/370**
(58) **Field of Classification Search**
USPC D23/370, 355, 314, 414; 415/121.1
CPC F04D 29/329; F04D 29/526; F04D 25/082;
F04D 29/325; F04D 29/703; F04D
29/547

See application file for complete search history.

(57) **CLAIM**

We claim the ornamental design for a fan, as shown and described.

DESCRIPTION

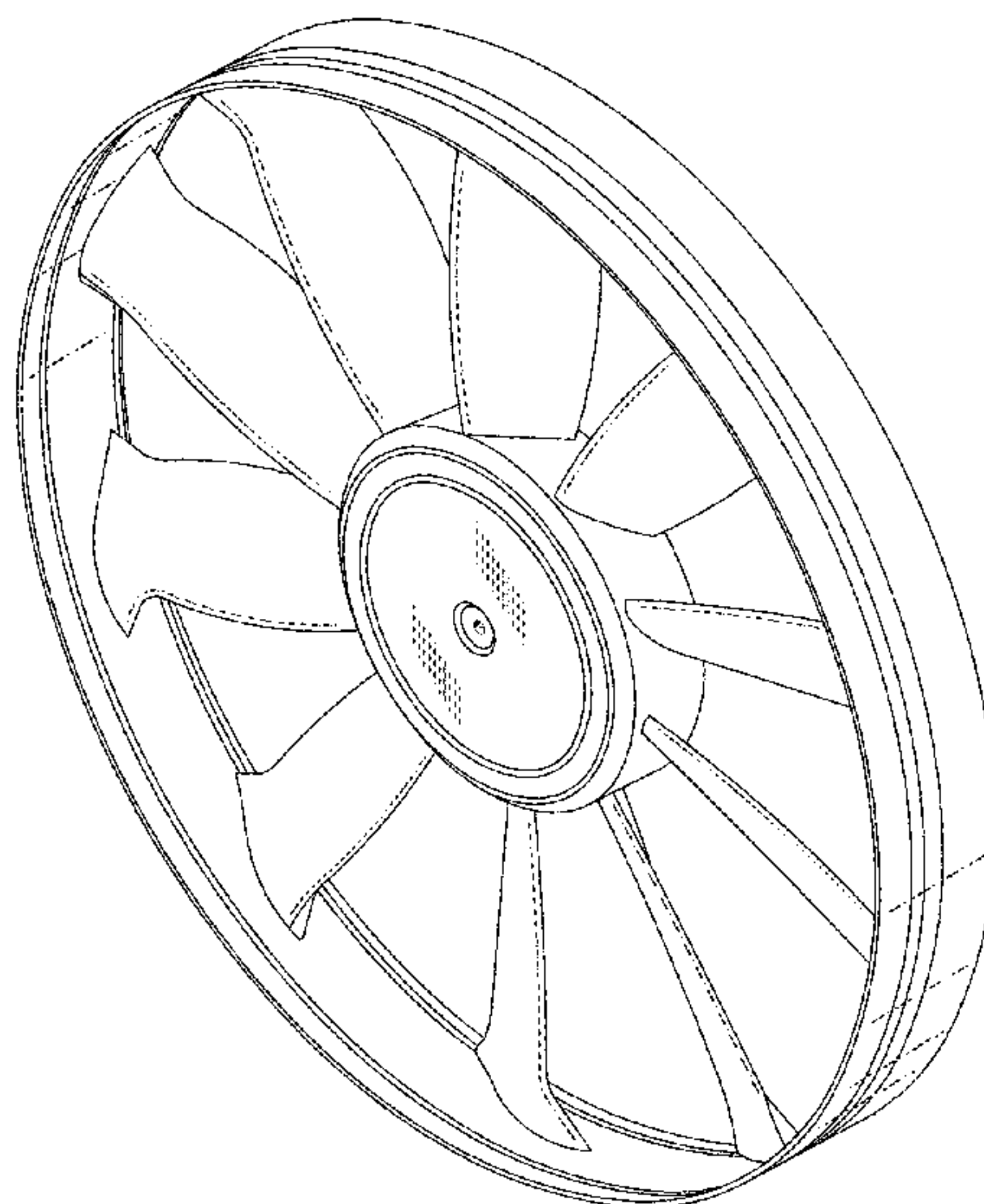
FIG. 1 is a front perspective view of the design of the fan; FIG. 2 is a front elevation view of the design of FIG. 1; FIG. 3 is a rear elevation view of the design of FIG. 1; FIG. 4 is a first side elevation view of the design of FIG. 1, with the second side elevation view of the design being a mirror image of FIG. 4; FIG. 5 is a top plan view of the design of FIG. 1, with the bottom plan view of the design being a mirror image of FIG. 5; FIG. 6 is a cross-sectional plan view of the design of FIG. 1 taken along the line 6-6 in FIG. 2; and, FIG. 7 is a rear perspective view of the design of FIG. 1. The features shown in broken lines depict environmental subject matter only and form no part of claim design.

1 Claim, 6 Drawing Sheets

(56) **References Cited**

U.S. PATENT DOCUMENTS

5,730,583 A * 3/1998 Alizadeh F04D 19/002
416/169 A
D421,798 S * 3/2000 Liang D23/370
6,241,474 B1 * 6/2001 Alizadeh F04D 29/326
416/189
D446,295 S * 8/2001 Williams D23/370
D654,920 S * 2/2012 Wang D14/441
8,177,496 B2 * 5/2012 Wilson F01D 5/141
415/181
D723,152 S * 2/2015 Xu D23/370
D725,257 S * 3/2015 Huang D23/370
D726,300 S * 4/2015 DeFilippis D23/414
D734,845 S * 7/2015 Xu D23/370



(56)

References Cited

U.S. PATENT DOCUMENTS

2004/0175270 A1* 9/2004 Havel F04D 29/326
416/189
2005/0180849 A1* 8/2005 Chen F04D 29/325
415/220
2005/0207894 A1* 9/2005 Park F04D 29/326
416/223 R
2007/0166165 A1* 7/2007 Lee F04D 29/329
416/189
2008/0156282 A1* 7/2008 Aschermann F04D 29/386
123/41.49
2008/0210409 A1* 9/2008 Saksager F04D 25/0606
165/104.33
2009/0155076 A1* 6/2009 Jarrah F04D 29/384
416/182
2010/0068060 A1* 3/2010 Ota F04D 29/325
416/179
2010/0260630 A1* 10/2010 Bilodeau F16D 1/116
417/423.1
2011/0135494 A1* 6/2011 Nicgorski F04D 29/329
416/93 R
2011/0236211 A1* 9/2011 Schneider F04D 29/662
416/144
2012/0224988 A1* 9/2012 Maier F04D 29/646
417/423.1
2012/0244000 A1* 9/2012 Turcas B29C 45/0025
416/189
2013/0147312 A1* 6/2013 Qin H02K 13/04
310/234
2013/0323062 A1* 12/2013 Henner F04D 29/281
416/195

2014/0030104 A1* 1/2014 Lee F04D 29/327
416/223 R
2014/0056710 A1* 2/2014 Henner F04D 29/384
416/189
2014/0119922 A1* 5/2014 Nakano F04D 29/30
416/189
2014/0334952 A1* 11/2014 Ziegler F04D 25/0606
417/423.1
2015/0064011 A1* 3/2015 Xu F04D 19/002
416/189
2015/0078937 A1* 3/2015 Crevel F04D 25/0613
417/423.1

FOREIGN PATENT DOCUMENTS

AU	367700	3/2016
AU	367701	3/2016
EM	002919936	12/2015

OTHER PUBLICATIONS

Canadian Design Patent Application 166057 “Fan” filed Dec. 18, 2015. Dec. 18, 2015.
Canadian Design Patent Application 170268 “Fan” filed Dec. 18, 2015. Dec. 18, 2015.
Utility U.S. Appl. No. 15/198,697 “Compact Fan for a Recreational Vehicle” filed Jun. 30, 2016. Jun. 30, 2016.
Fantastic® Vent Fan with fan blade Model No. 8138-81 Feb. 13, 2015.

* cited by examiner

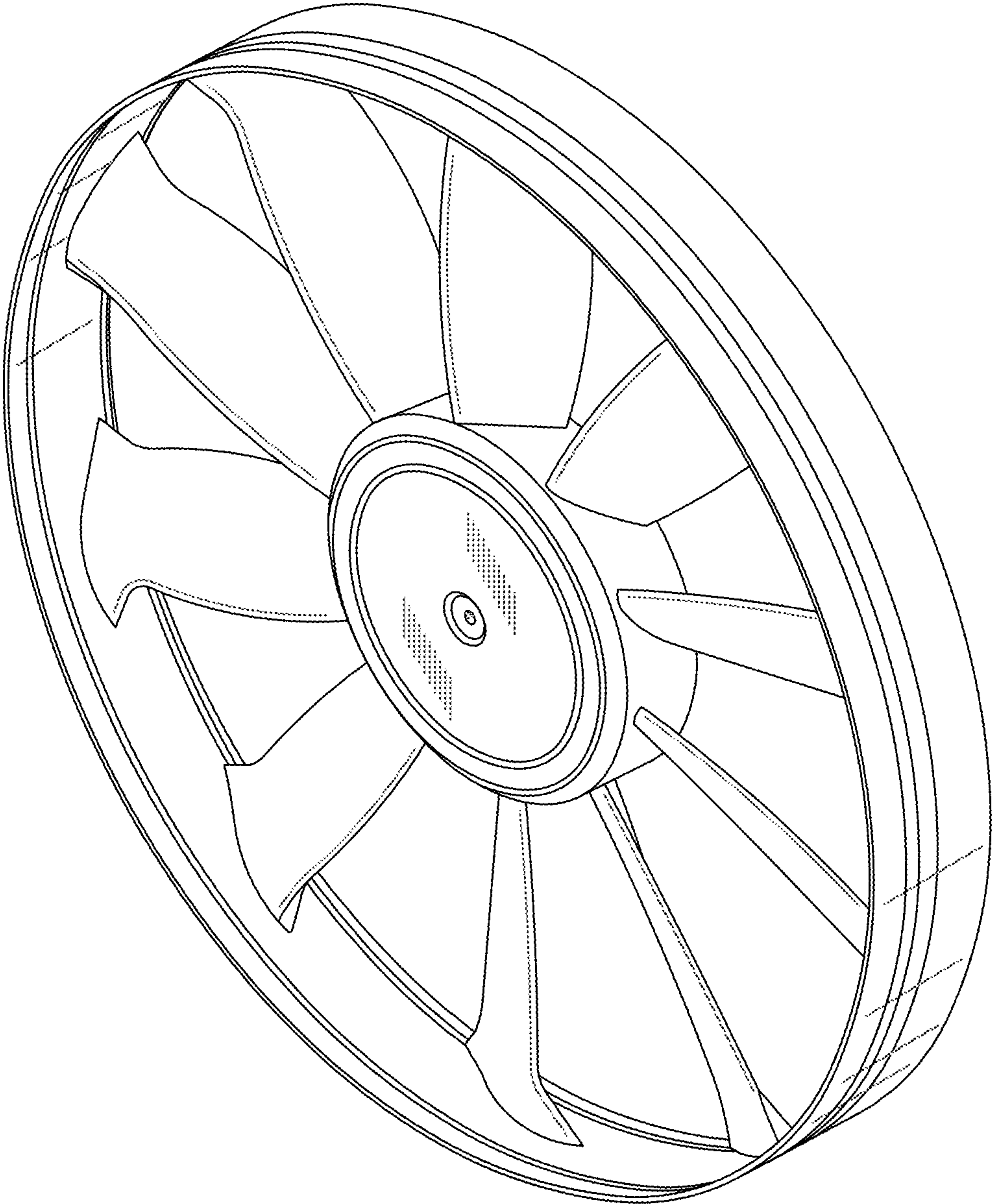


FIG. 1

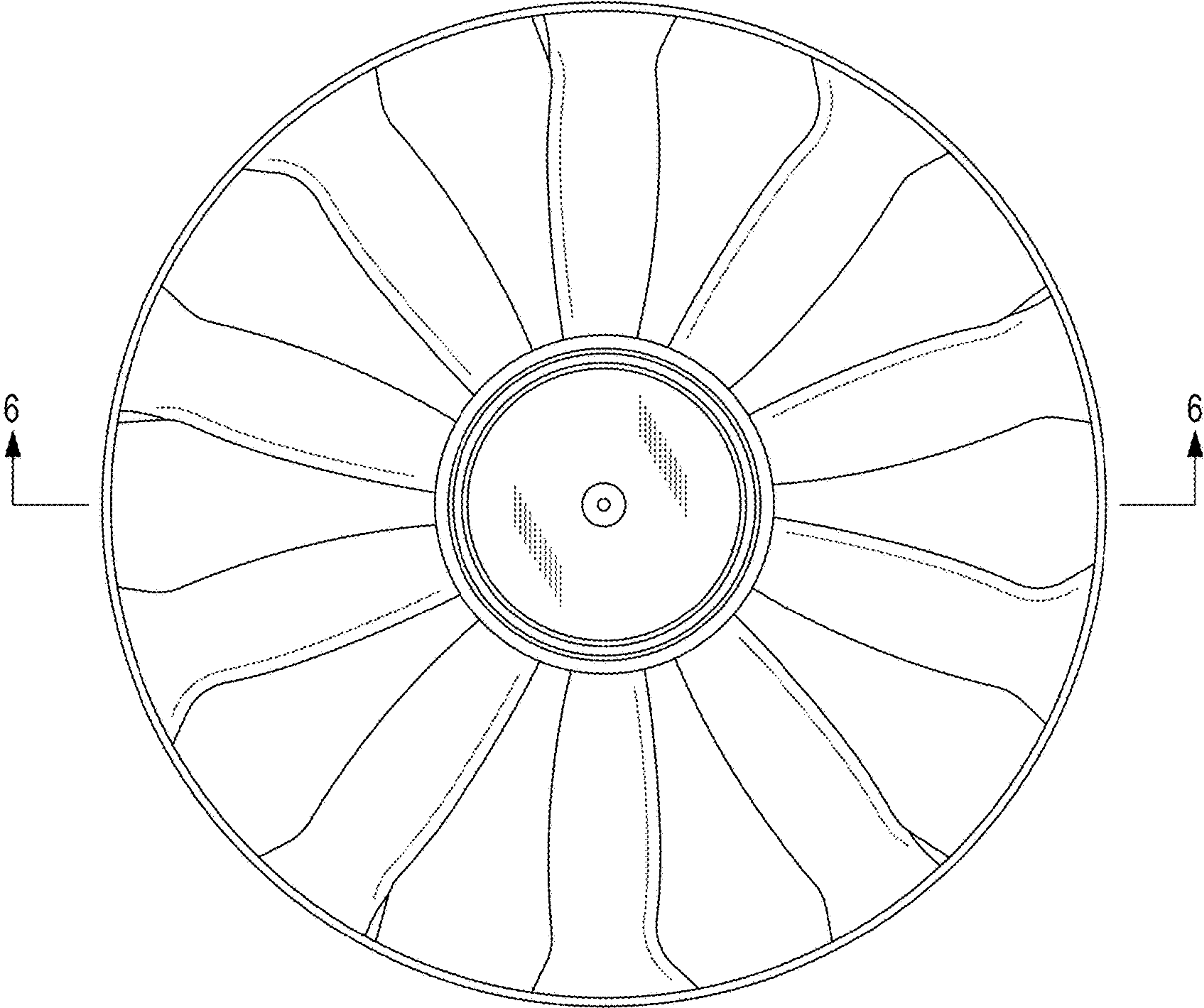


FIG. 2

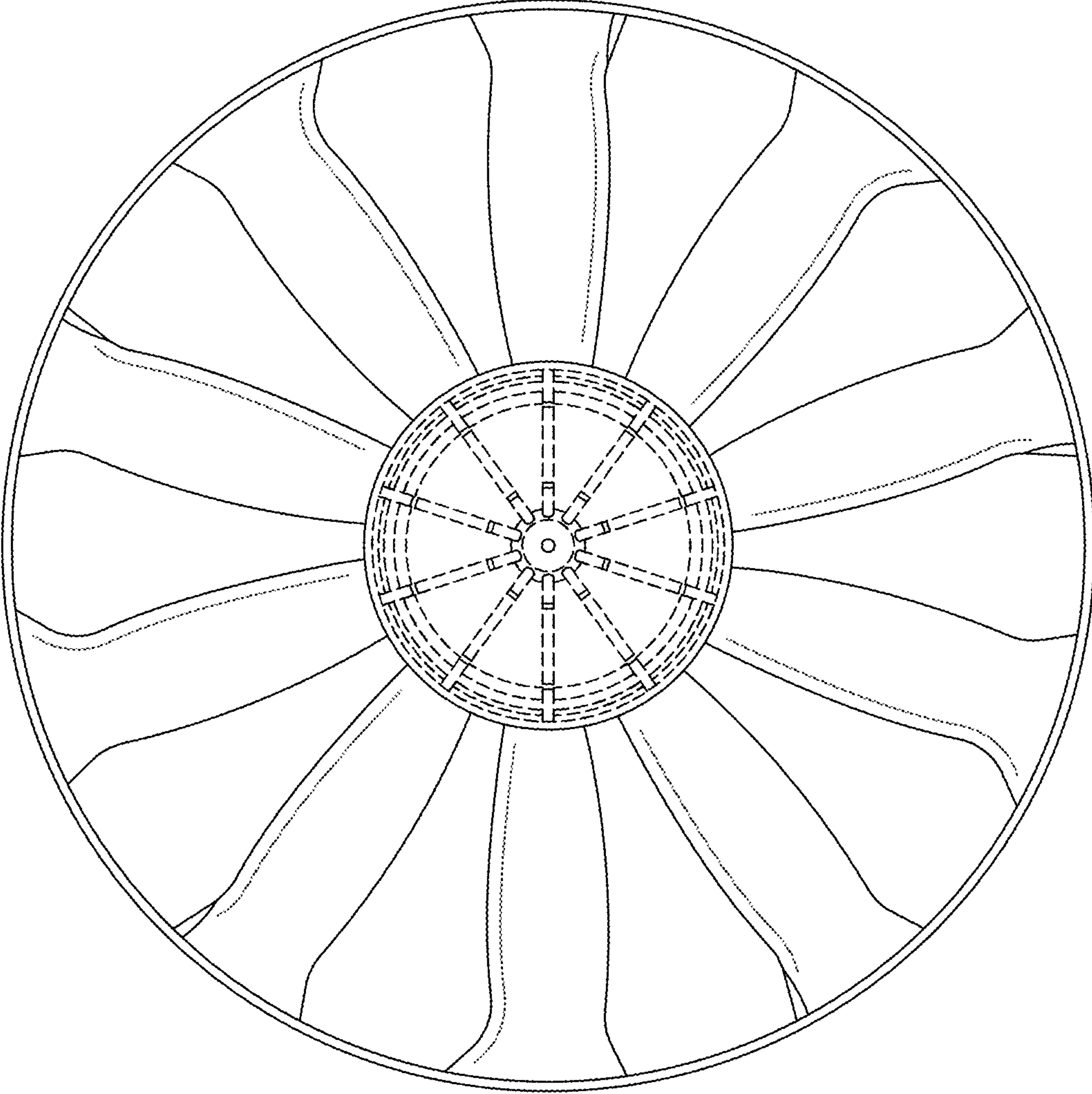


FIG. 3

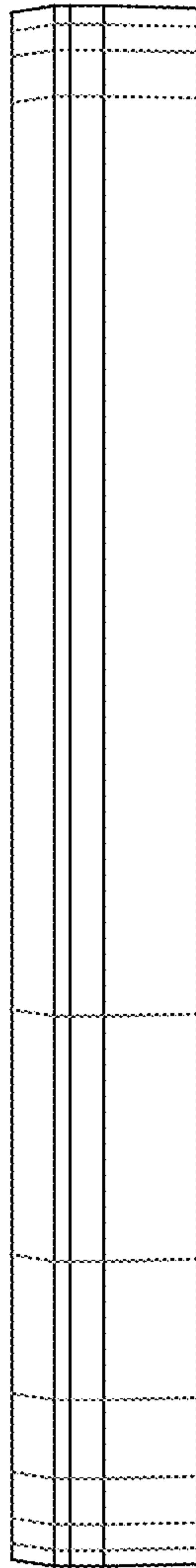


FIG. 4

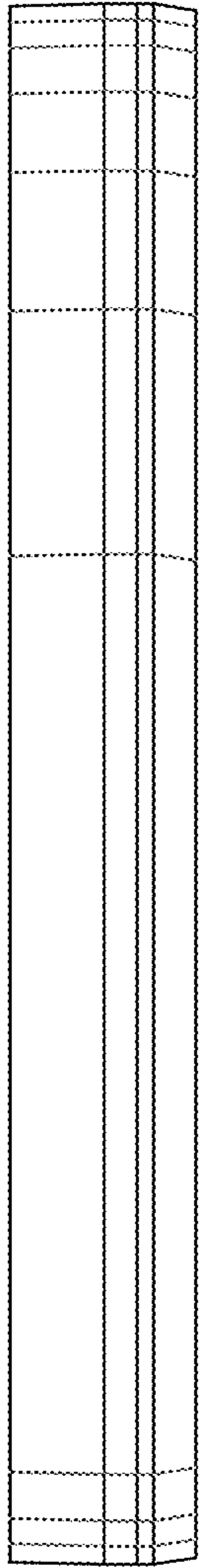


FIG. 5

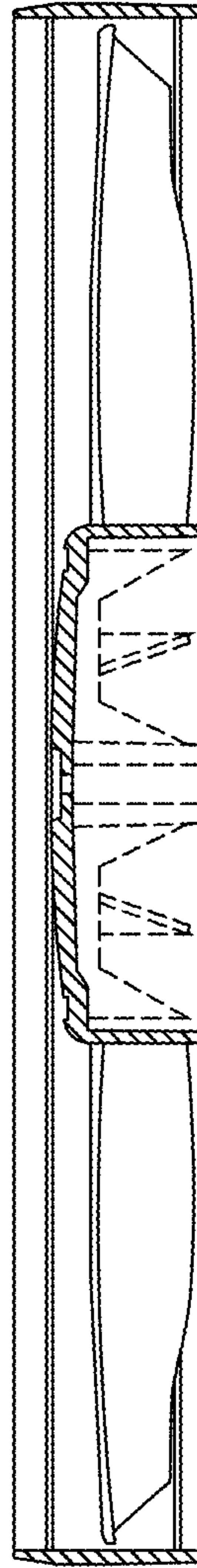


FIG. 6

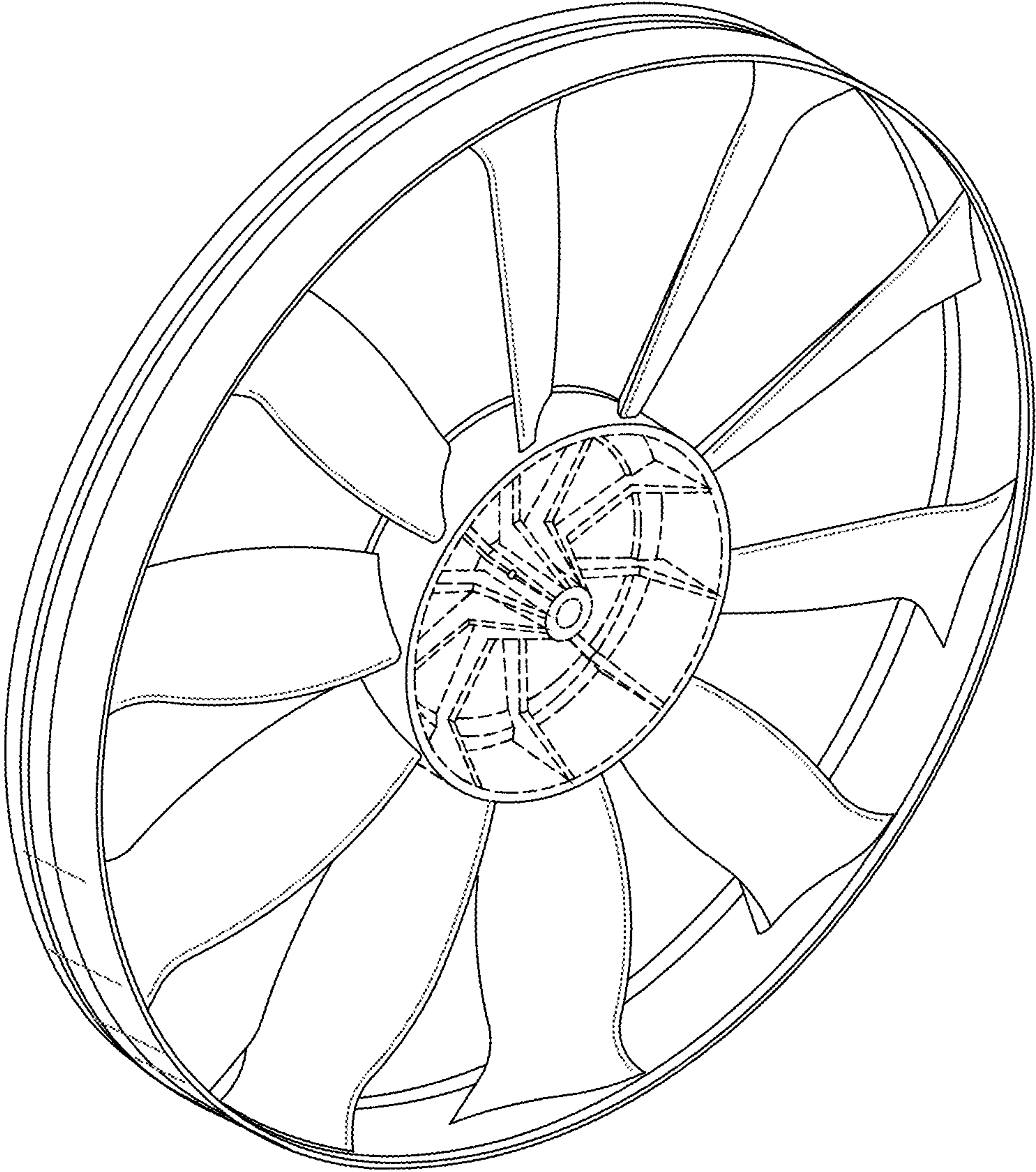


FIG. 7