



US00D787036S

(12) **United States Design Patent**
Kim et al.

(10) **Patent No.:** **US D787,036 S**
(45) **Date of Patent:** **** May 16, 2017**

(54) **BUCKET FOR DEHUMIDIFIER**
(71) Applicant: **Samsung Electronics Co., Ltd.,**
Suwon-si (KR)
(72) Inventors: **Daejong Kim, Seoul (KR);**
Kyoungsoo Sun, Seoul (KR); Heejae
Jeong, Seoul (KR); Minkyung Choi,
Seoul (KR); **Kio Lee, Seoul (KR)**
(73) Assignee: **Samsung Electronics Co., Ltd.,**
Gyeonggi-Do (KR)

6,427,984 B1 * 8/2002 Mulvaney F24F 6/043
261/107
D619,676 S * 7/2010 Bertucci D23/208
8,006,691 B2 * 8/2011 Kenyon A61M 16/0051
122/4 R
D652,905 S * 1/2012 Mandell D23/366
D657,038 S * 4/2012 Mandell D23/366
D662,576 S * 6/2012 Shore D23/364
D666,283 S * 8/2012 Mandell D23/366
D669,568 S * 10/2012 Mandell D23/366
8,342,364 B2 * 1/2013 Bertucci G05D 11/006
137/99
D695,337 S * 12/2013 Choi D18/34.5
8,701,701 B2 * 4/2014 Huang F24F 11/001
137/398

(**) Term: **15 Years**

(Continued)

(21) Appl. No.: **29/536,162**

Primary Examiner — Kevin Rudzinski

(22) Filed: **Aug. 13, 2015**

Assistant Examiner — John Reickel

(30) **Foreign Application Priority Data**

(74) *Attorney, Agent, or Firm* — Cantor Colburn LLP

Feb. 13, 2015 (KR) 30-2015-0007980

(51) **LOC (10) Cl.** **23-04**

(52) **U.S. Cl.**
USPC **D23/359**

(58) **Field of Classification Search**
USPC D23/333, 355–364, 385, 388, 393
CPC A61M 16/16; A61M 16/0816; A61M
16/0003; F24F 2006/008; F24F 3/1405;
F24F 2003/144; F24F 11/0008; F24F
13/28
See application file for complete search history.

(56) **References Cited**

U.S. PATENT DOCUMENTS

4,663,091 A * 5/1987 Seo A61L 2/035
210/748.01
5,483,616 A * 1/1996 Chiu F24F 6/043
261/107
5,551,095 A * 9/1996 Chen E03D 9/037
248/215

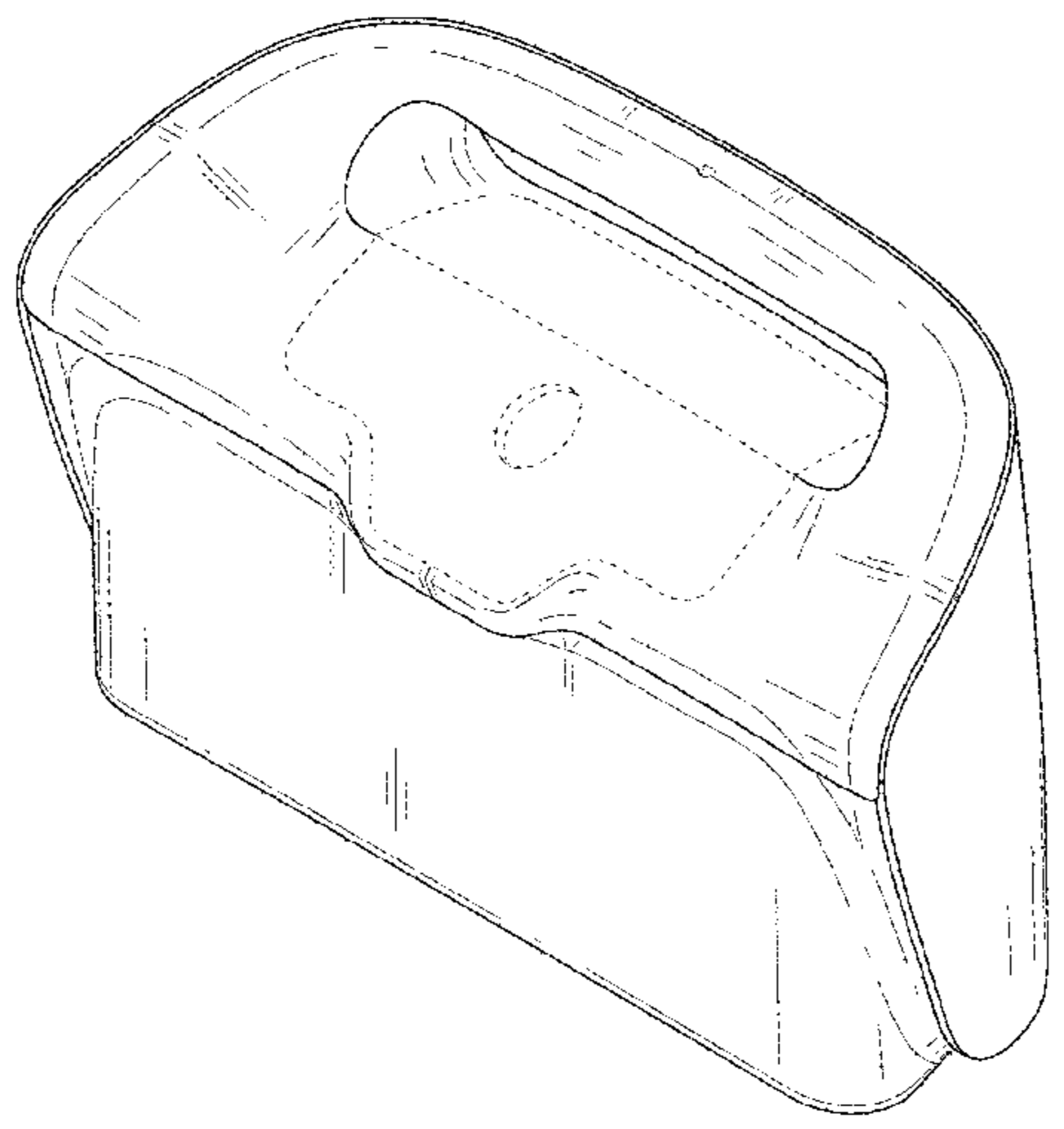
(57) **CLAIM**

The ornamental design for a bucket for dehumidifier, as shown and described.

DESCRIPTION

FIG. 1 is a perspective view of a bucket for dehumidifier, showing our new design;
FIG. 2 is a front view thereof;
FIG. 3 is a rear view thereof;
FIG. 4 is a side view thereof;
FIG. 5 is another side view thereof;
FIG. 6 is a top view thereof;
FIG. 7 is a bottom view thereof; and,
FIG. 8 is an exploded perspective view of a dehumidifier showing the bucket in an environment of use.
The broken lines illustrating portions of a bucket for dehumidifier form no part of the claimed design. The broken lines illustrating portions of a dehumidifier in FIG. 8 are environmental purposes only and form no part of the claimed design.

1 Claim, 8 Drawing Sheets



(56)

References Cited

U.S. PATENT DOCUMENTS

8,905,384 B2 * 12/2014 Rodriqs F24F 6/04
261/107
D737,944 S * 9/2015 Shore D23/364
D766,414 S * 9/2016 Chu D23/359
2007/0034082 A1 * 2/2007 Adair B01D 45/06
96/63
2008/0098899 A1 * 5/2008 Uchida A61L 9/14
96/255

* cited by examiner

FIG. 1

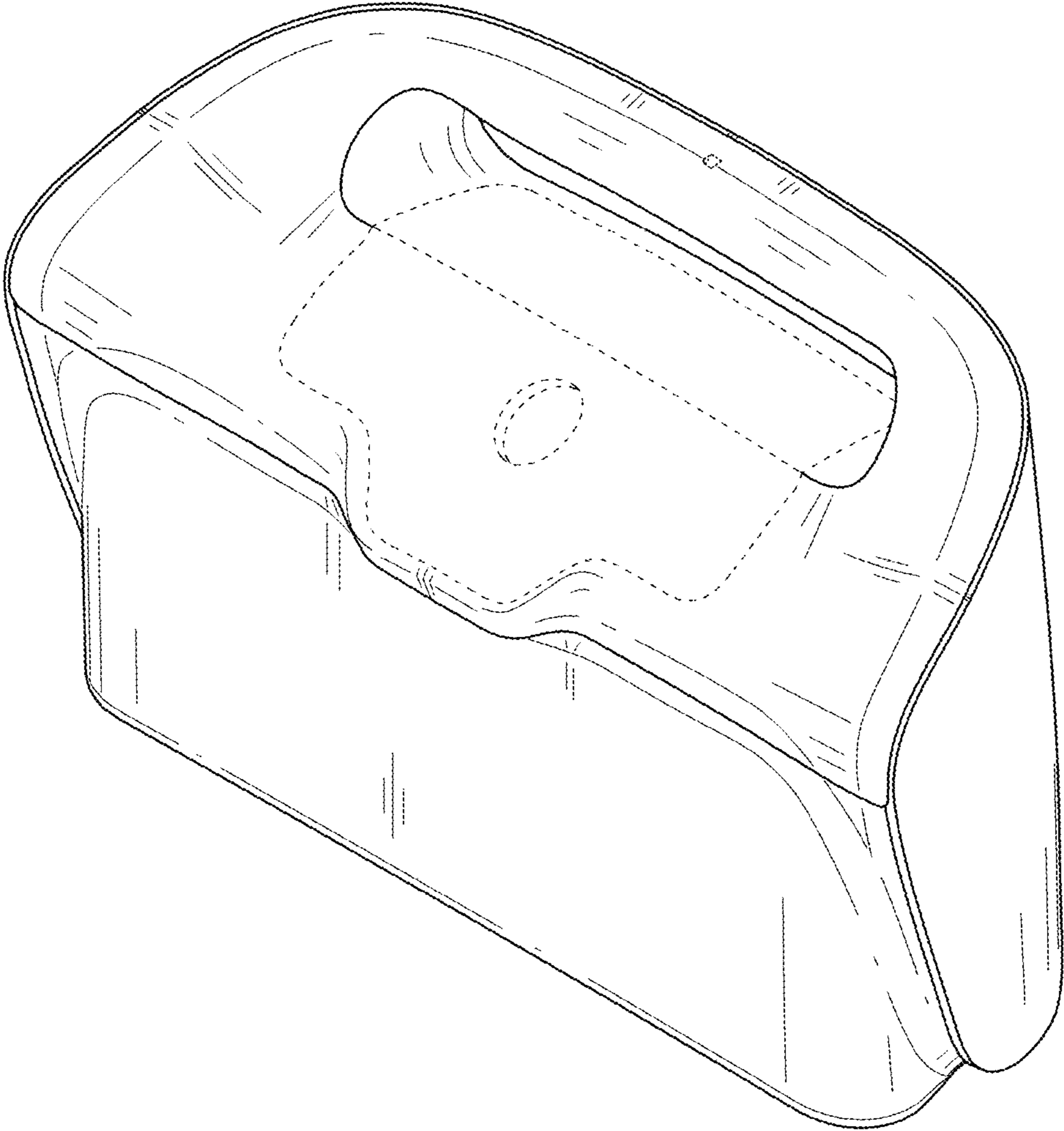


FIG. 2

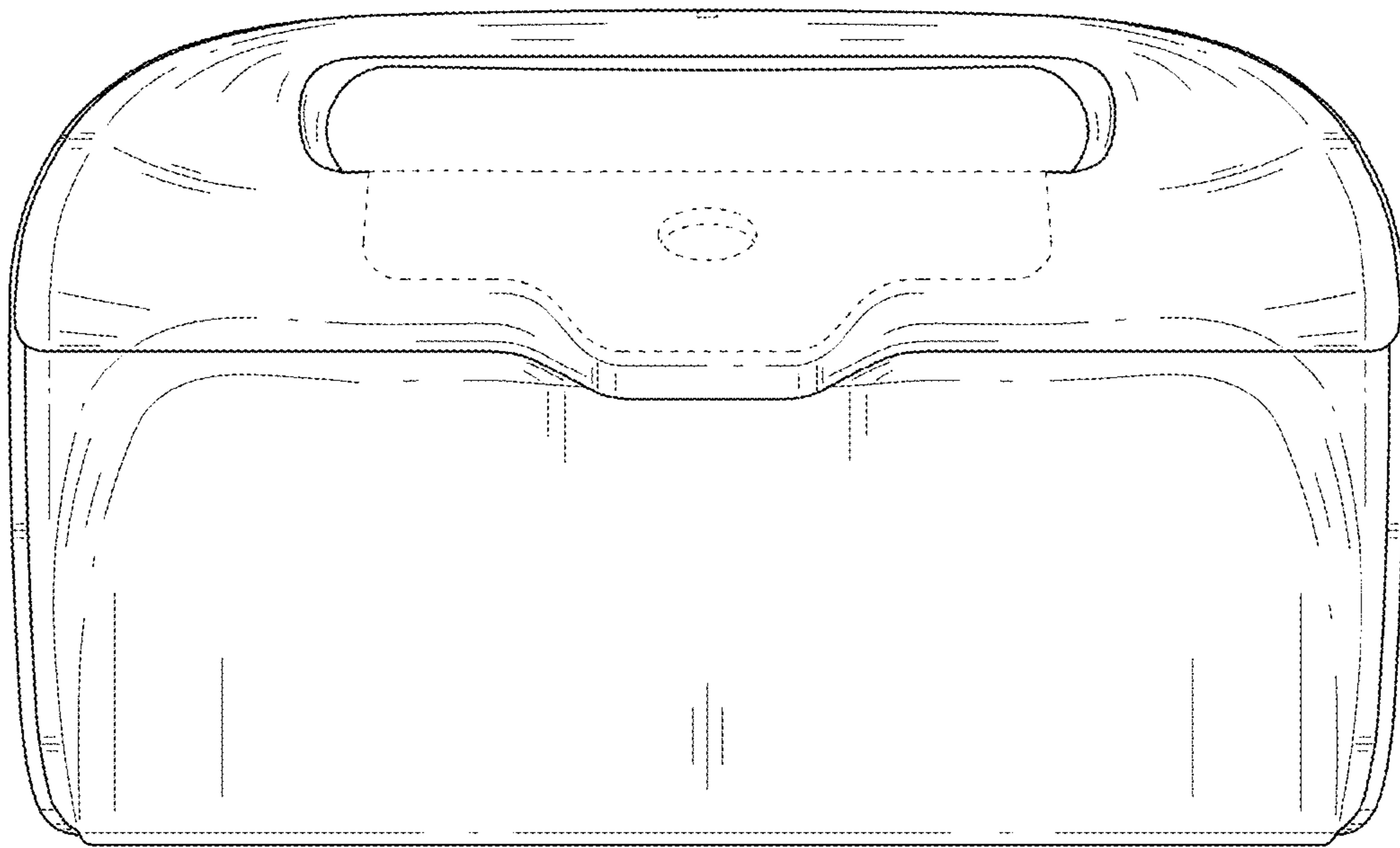


FIG. 3

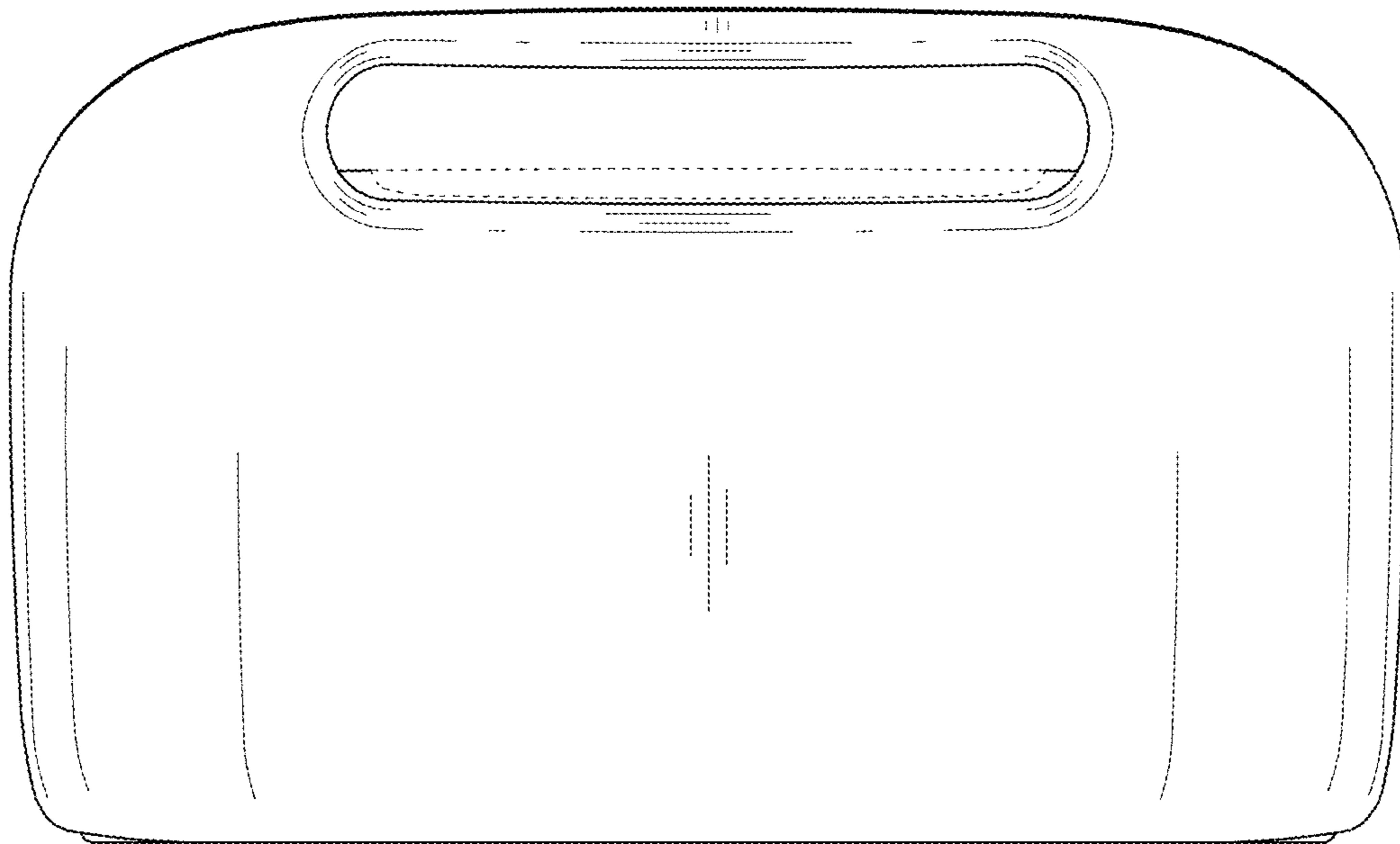


FIG. 4

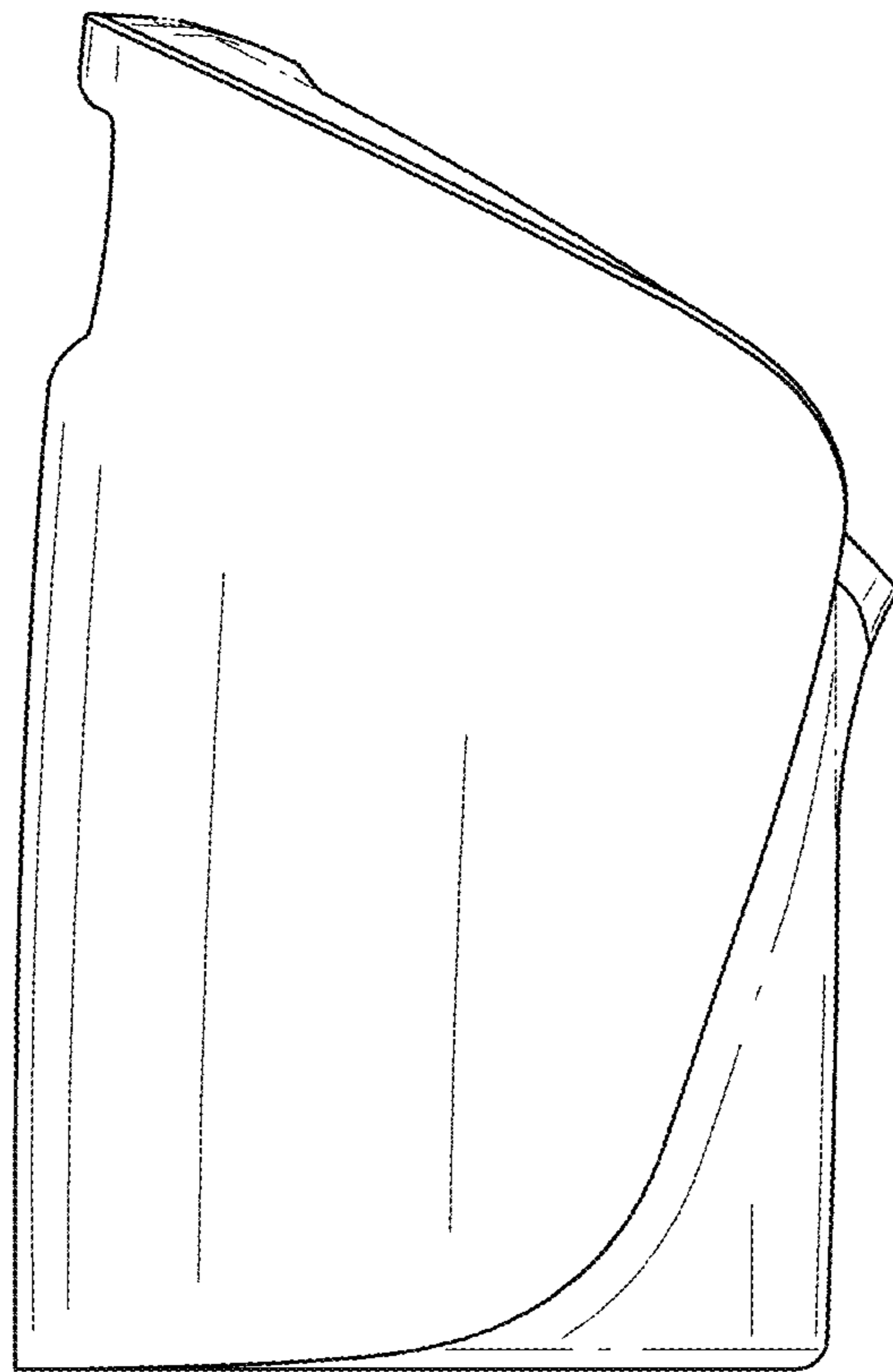


FIG. 5

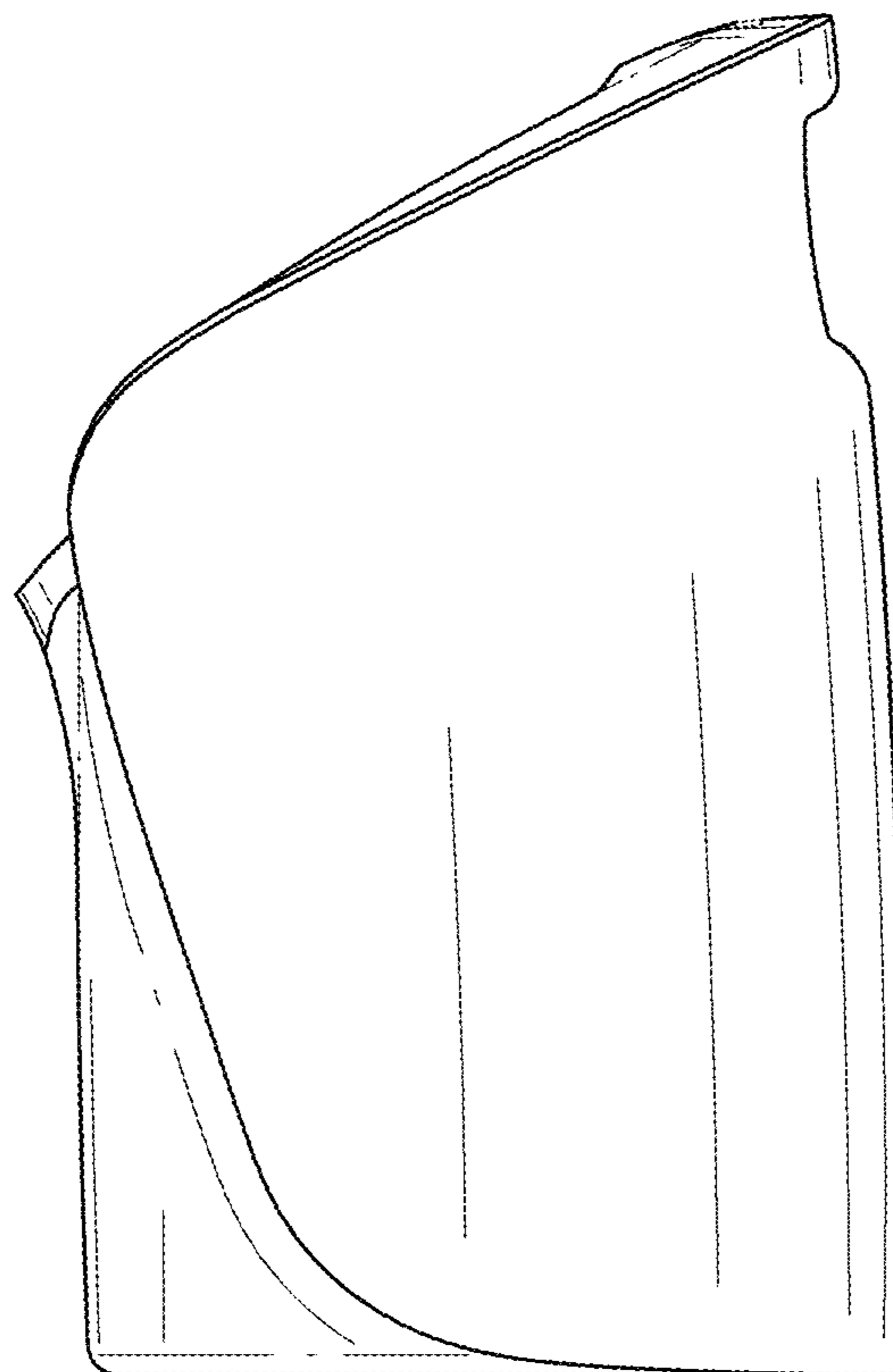


FIG. 6

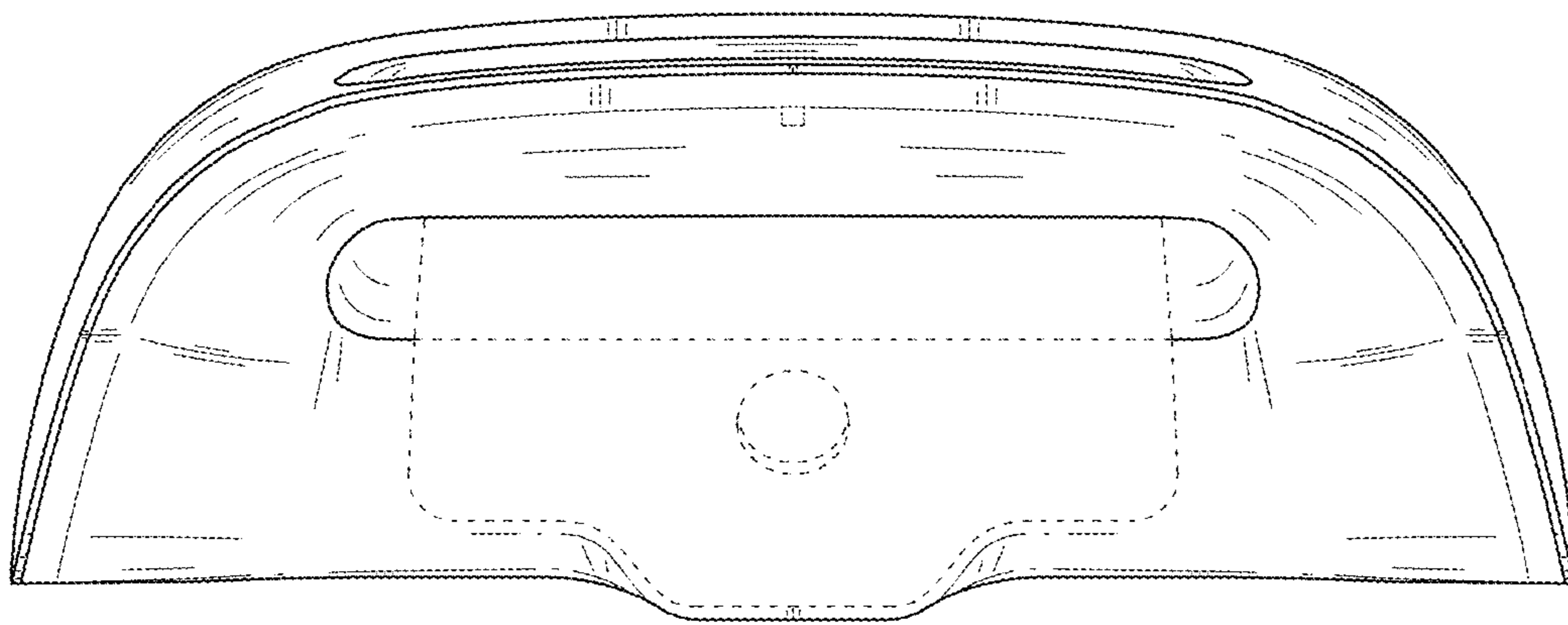


FIG. 7

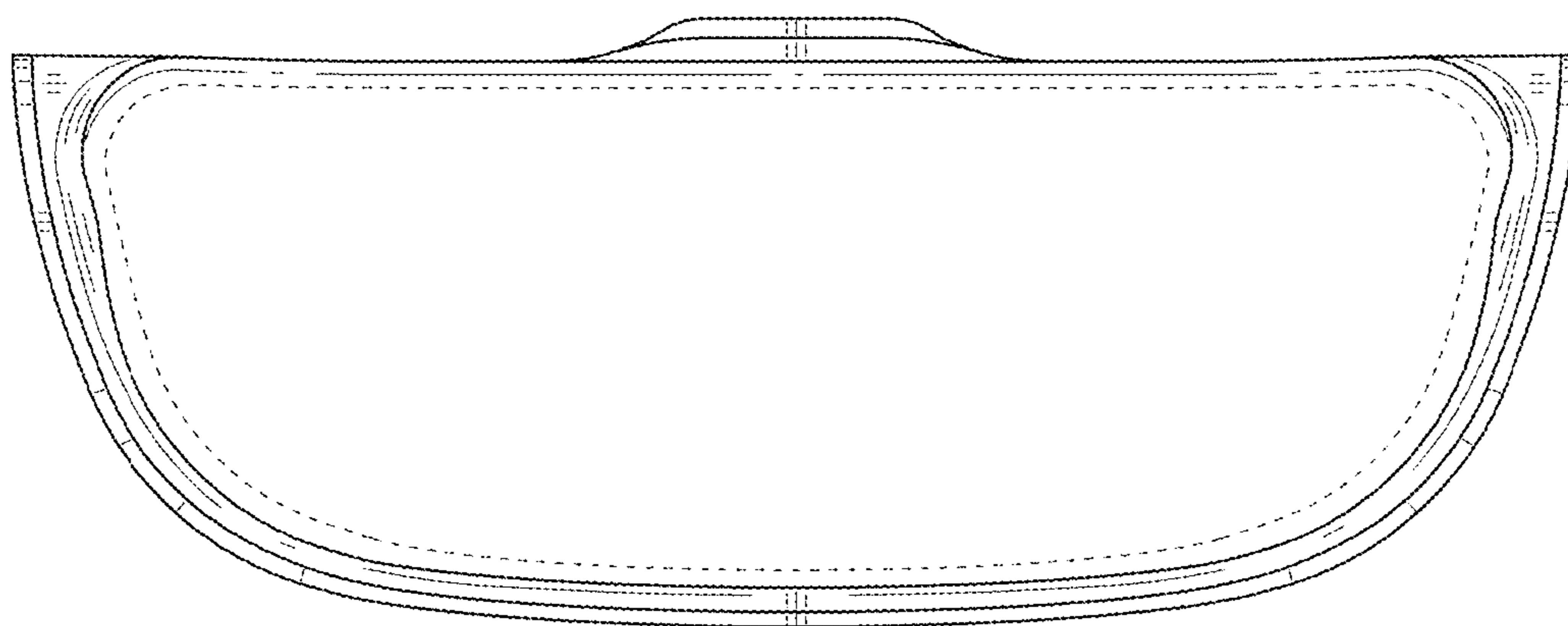


FIG. 8

