



US00D787031S

(12) **United States Design Patent** (10) **Patent No.:** **US D787,031 S**
Morgan-Williams (45) **Date of Patent:** **** May 16, 2017**

- (54) **COMMODE SPLASH GUARD** 6,357,055 B1 * 3/2002 Gambla A47K 17/00
 4/300.3
- (71) Applicant: **Ethel Morgan-Williams**, Brenham, TX 6,385,785 B1 5/2002 Linden
 (US) 6,408,447 B1 6/2002 Burbank et al.
 7,017,198 B2 * 3/2006 Conn E03D 13/005
 4/300.3
- (72) Inventor: **Ethel Morgan-Williams**, Brenham, TX 7,178,177 B1 * 2/2007 Valencia E03D 9/00
 (US) 4/300.3
 7,921,478 B1 * 4/2011 Vanini E03D 9/00
 4/300.3
- (**) Term: **15 Years**

* cited by examiner

- (21) Appl. No.: **29/620,139**
- (22) Filed: **Jul. 14, 2016**
- (51) **LOC (10) Cl.** **23-02**
- (52) **U.S. Cl.**
 USPC **D23/307**
- (58) **Field of Classification Search**
 USPC D23/310, 303, 309
 CPC A47K 13/24; A47K 17/00; Y10S 4/05;
 E03D 9/00; E03D 9/14
 See application file for complete search history.

Primary Examiner — Robert Delehanty

(74) *Attorney, Agent, or Firm* — Suzanne Kikel

(57) **CLAIM**

The ornamental design for a commode splash guard, as shown and described.

DESCRIPTION

FIG. 1 is a front perspective view of a commode splash guard in an operative position on a commode and showing my new design.

FIG. 2 is an enlarged, front elevational view of the commode splash guard of FIG. 1.

FIG. 3 is a rear elevational view thereof.

FIG. 4 is a right side elevational view thereof.

FIG. 5 is a left side elevational view thereof.

FIG. 6 is a bottom view thereof; and,

FIG. 7 is a top view thereof.

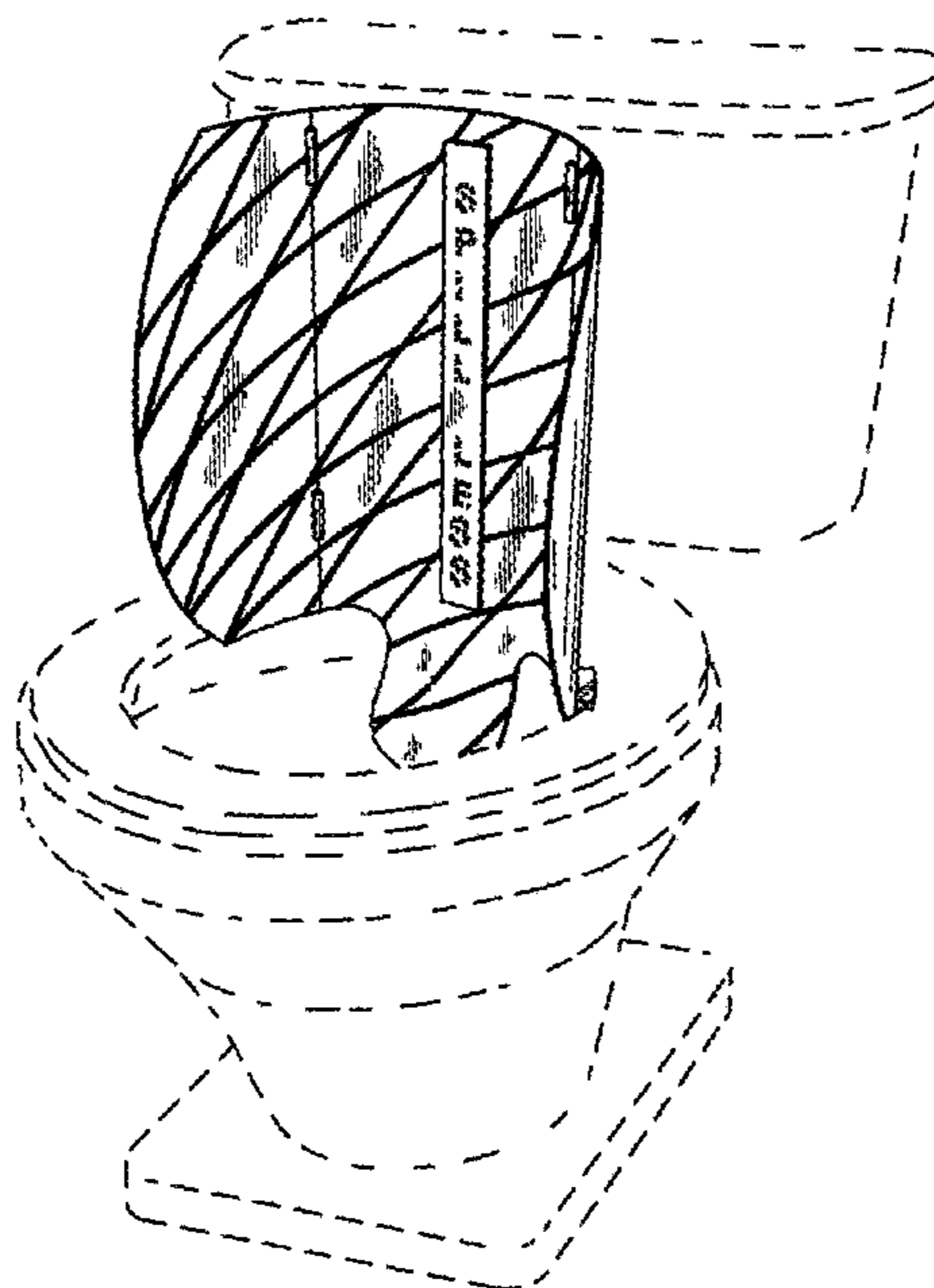
The broken lines in FIG. 1 showing a commode are included for the purpose of illustrating environment and form no part of the claimed design. The broken lines in FIG. 1 and in FIG. 2 showing the words "SPILL LESS" form no part of the claimed design.

(56) **References Cited**

U.S. PATENT DOCUMENTS

- D148,512 S 5/1946 Zuckerman
 2,980,919 A * 4/1961 Otto A47K 13/24
 4/300.3
- 3,071,778 A 1/1963 Renshaw
 3,914,803 A 10/1975 Gregovski
 D245,425 S * 8/1977 Annis D23/310
 D365,386 S 12/1995 McDonald et al.
 D369,856 S 5/1996 Lucido et al.
 5,564,135 A 10/1996 Jones et al.
 D394,497 S 5/1998 Johnson
 D394,900 S 6/1998 Kang
 D405,168 S 2/1999 Henry

1 Claim, 5 Drawing Sheets



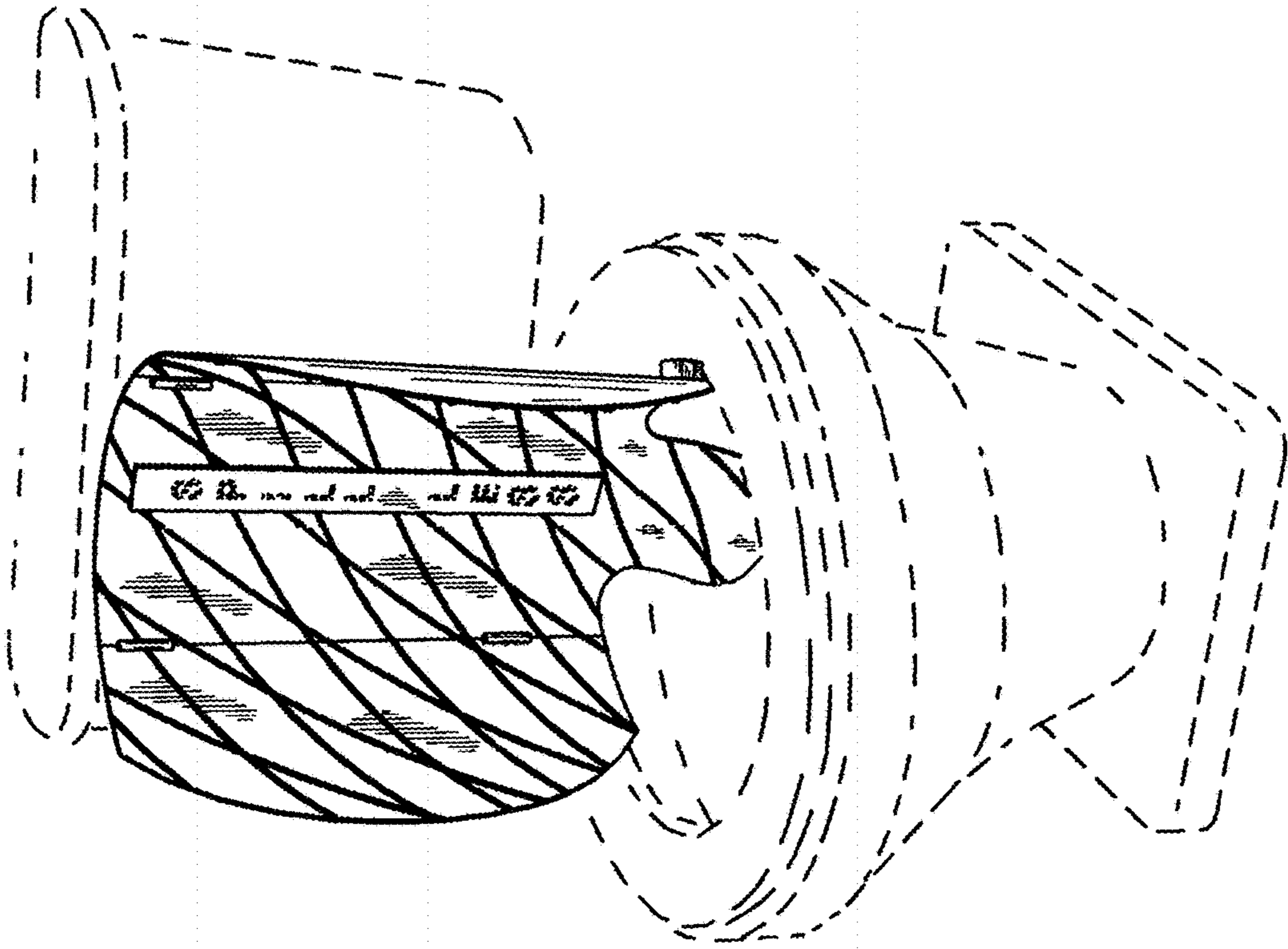


FIG. 1

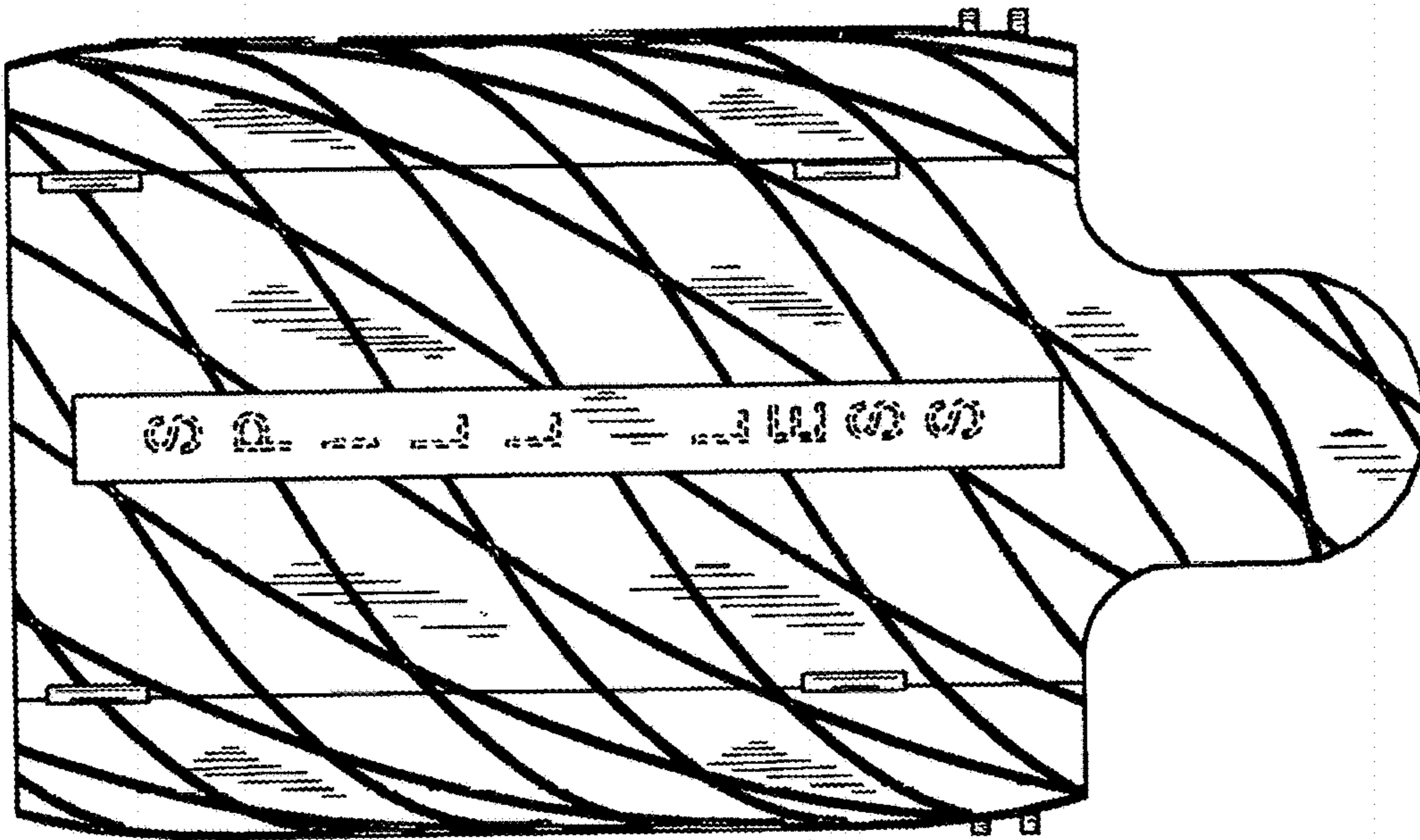


FIG. 2

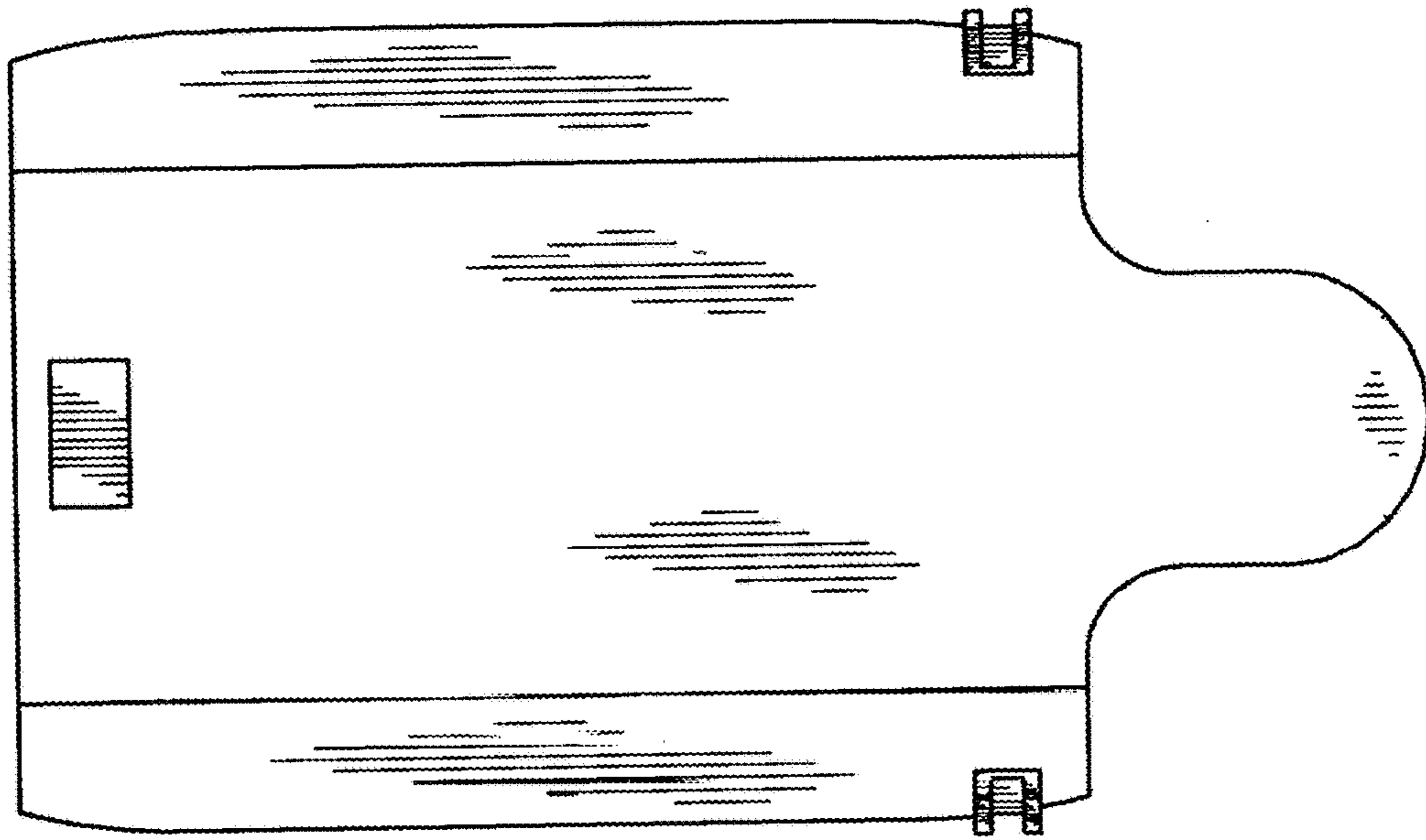


FIG. 3

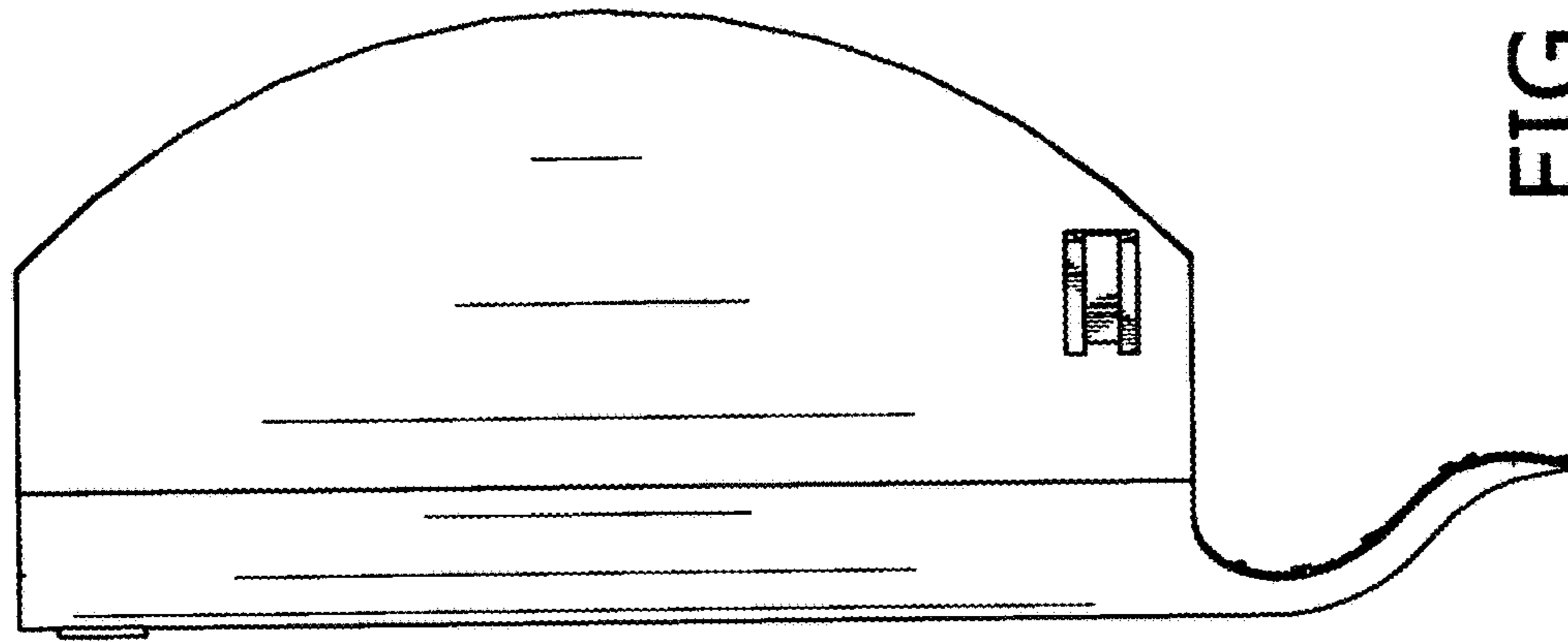


FIG. 5

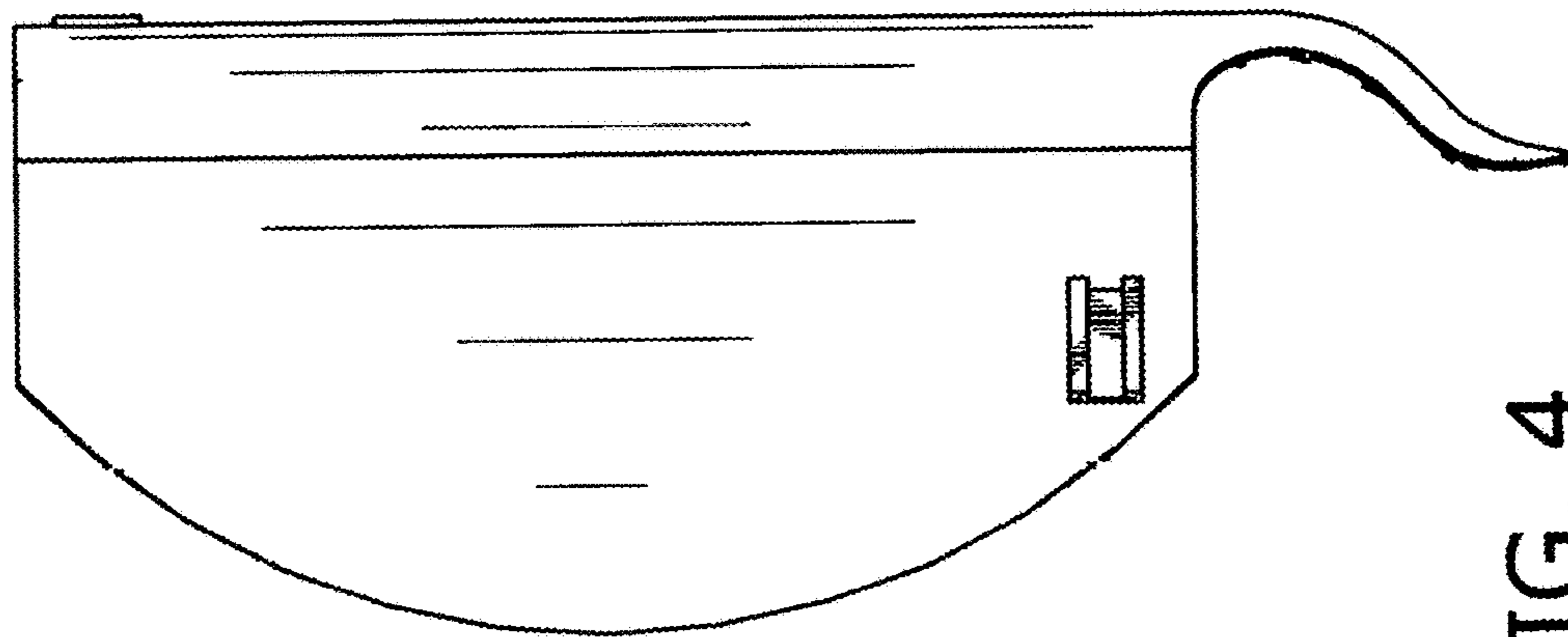


FIG. 4

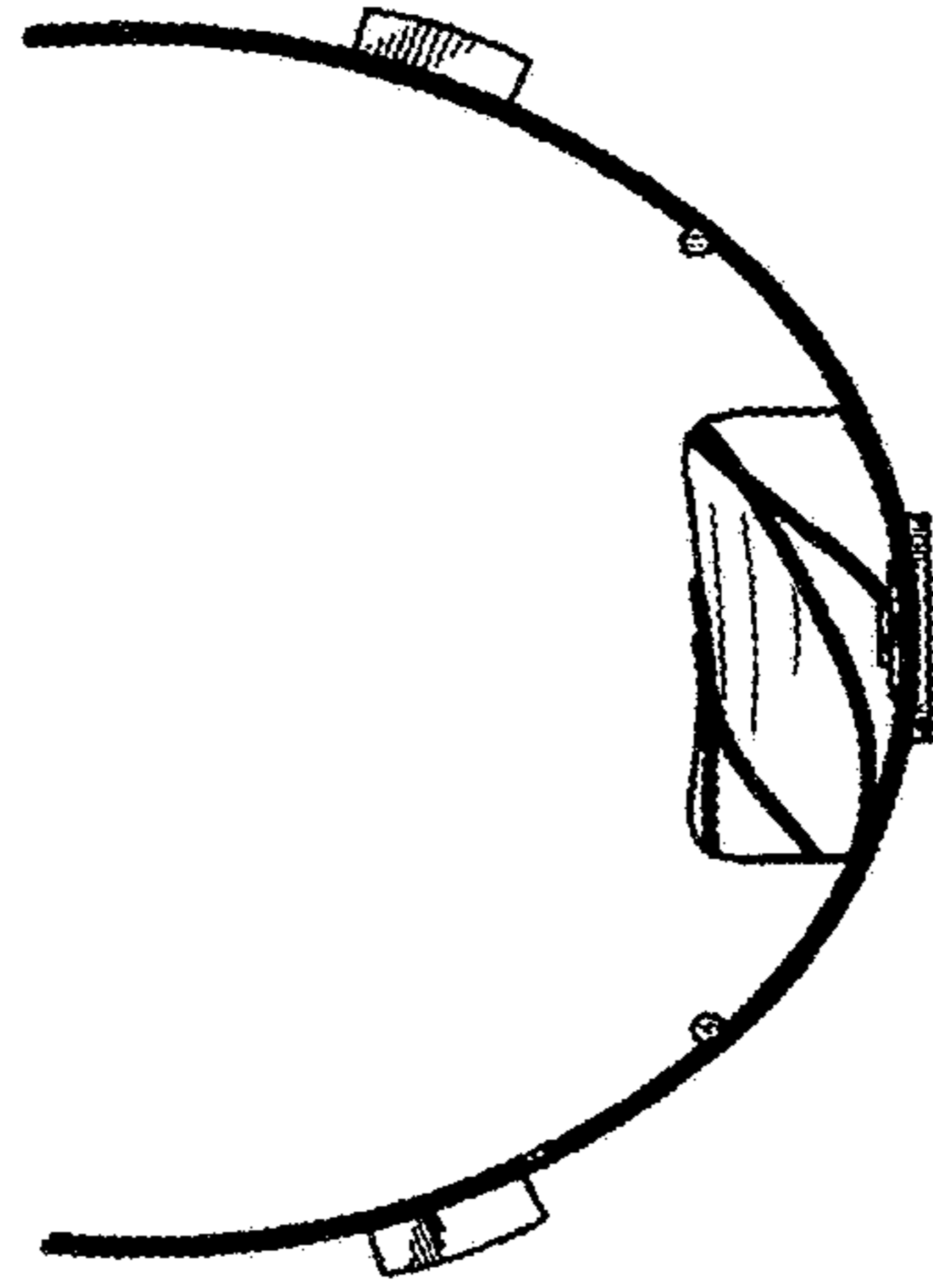


FIG. 7

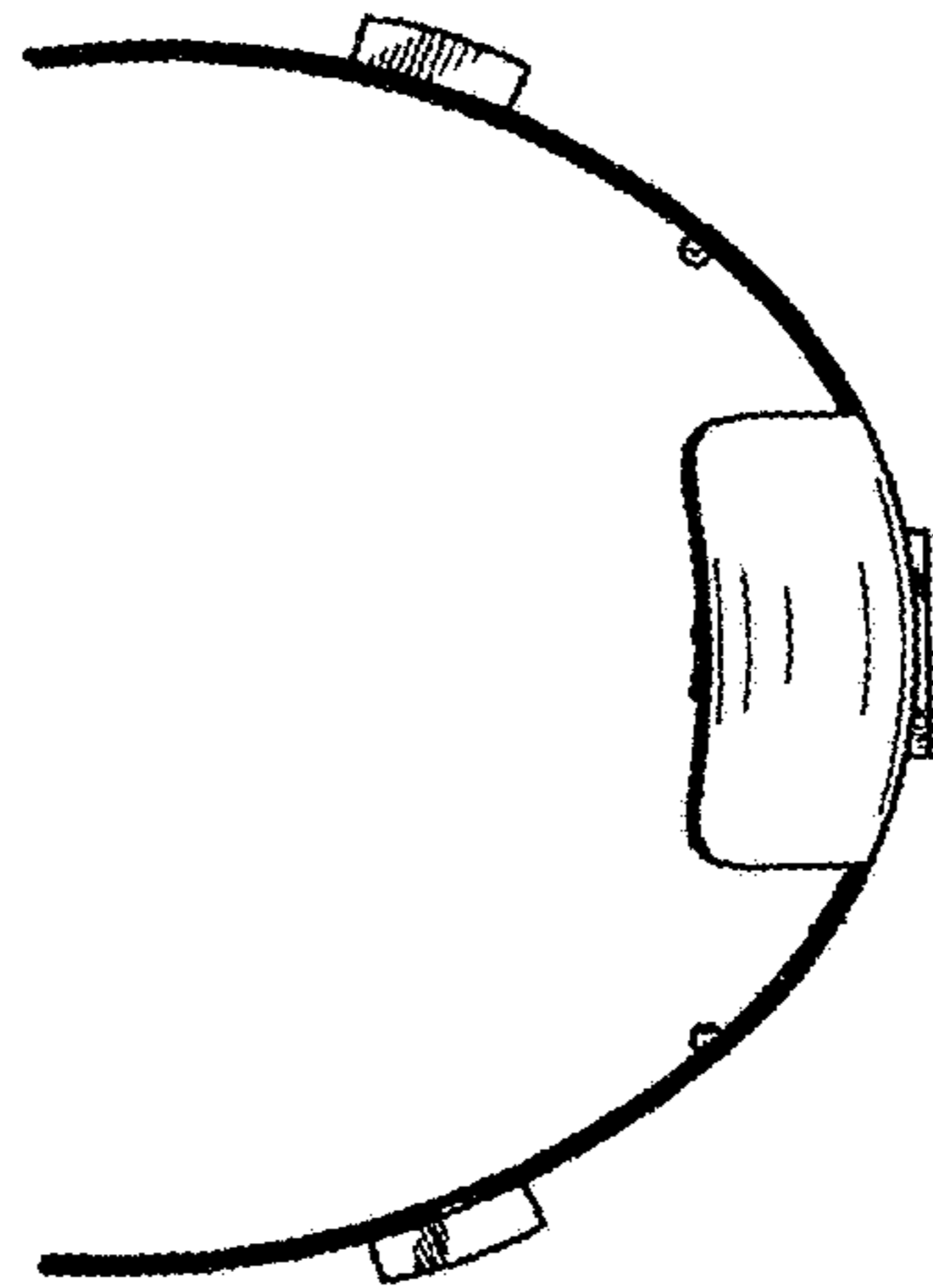


FIG. 6