



US00D787030S

(12) **United States Design Patent** (10) **Patent No.:** **US D787,030 S**
Shany (45) **Date of Patent:** **** May 16, 2017**

(54) **INFANT BATHTUB**

(71) Applicant: **Hanan Yosef Shany**, New York, NY
(US)

(72) Inventor: **Hanan Yosef Shany**, New York, NY
(US)

(**) Term: **15 Years**

(21) Appl. No.: **29/587,726**

(22) Filed: **Dec. 15, 2016**

Related U.S. Application Data

(63) Continuation-in-part of application No. 29/529,364, filed on Jun. 5, 2015, now Pat. No. Des. 757,913, and a continuation-in-part of application No. 29/562,572, filed on Apr. 27, 2016, now Pat. No. Des. 775,713.

(51) **LOC (10) Cl.** **23-02**

(52) **U.S. Cl.**
USPC **D23/278**

(58) **Field of Classification Search**
USPC D23/278, 277, 303-304
CPC A47K 3/024; A47K 3/034; A47K 3/074;
B62B 9/245
See application file for complete search history.

(56) **References Cited**

U.S. PATENT DOCUMENTS

D184,127 S * 12/1958 Gunn D23/278
D186,578 S * 11/1959 Willis D23/278

D187,018 S * 1/1960 Lawrence, Jr. D23/278
D299,741 S * 2/1989 Thom D23/278
D398,784 S * 9/1998 Koehl D23/278
6,785,917 B1 * 9/2004 Bryant A47K 3/024
4/572.1
D653,312 S * 1/2012 Liang D23/278
D656,226 S * 3/2012 Erli D23/278
D757,913 S * 5/2016 Shany D23/278
D775,713 S * 1/2017 Shany D23/278

* cited by examiner

Primary Examiner — Robert Delehanty

(74) *Attorney, Agent, or Firm* — Dale J. Ream

(57) **CLAIM**

The ornamental design for an infant bathtub, as shown and described.

DESCRIPTION

FIG. 1 is an elevated perspective view of an infant bathtub showing my new design;
FIG. 2 is an elevated perspective view from another angle thereof;
FIG. 3 is a right side view thereof;
FIG. 4 is a left side view thereof;
FIG. 5 is a top view thereof;
FIG. 6 is a bottom view thereof;
FIG. 7 is a rear view thereof; and,
FIG. 8 is a front view thereof.

1 Claim, 8 Drawing Sheets

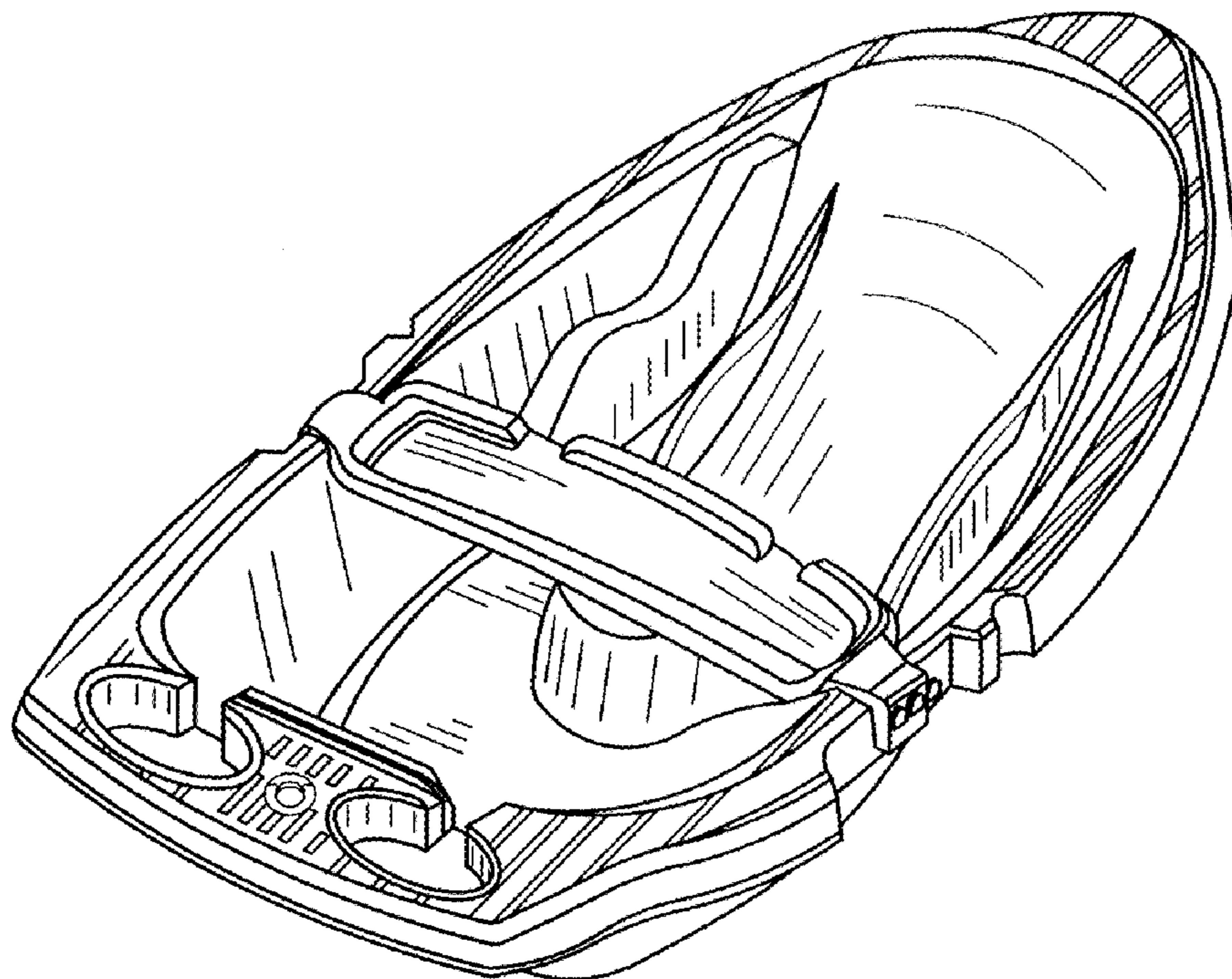




FIG. 1

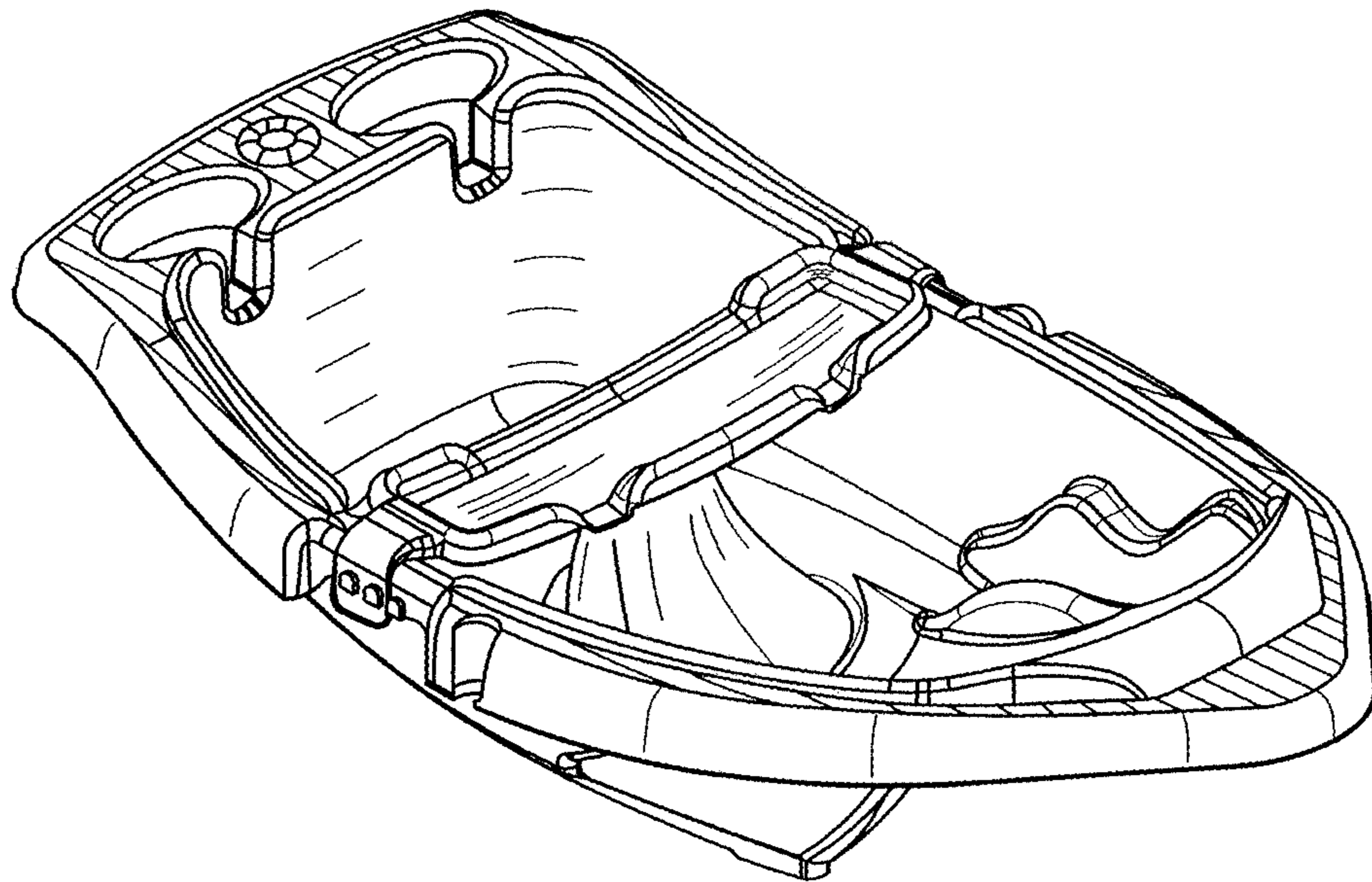


FIG. 2

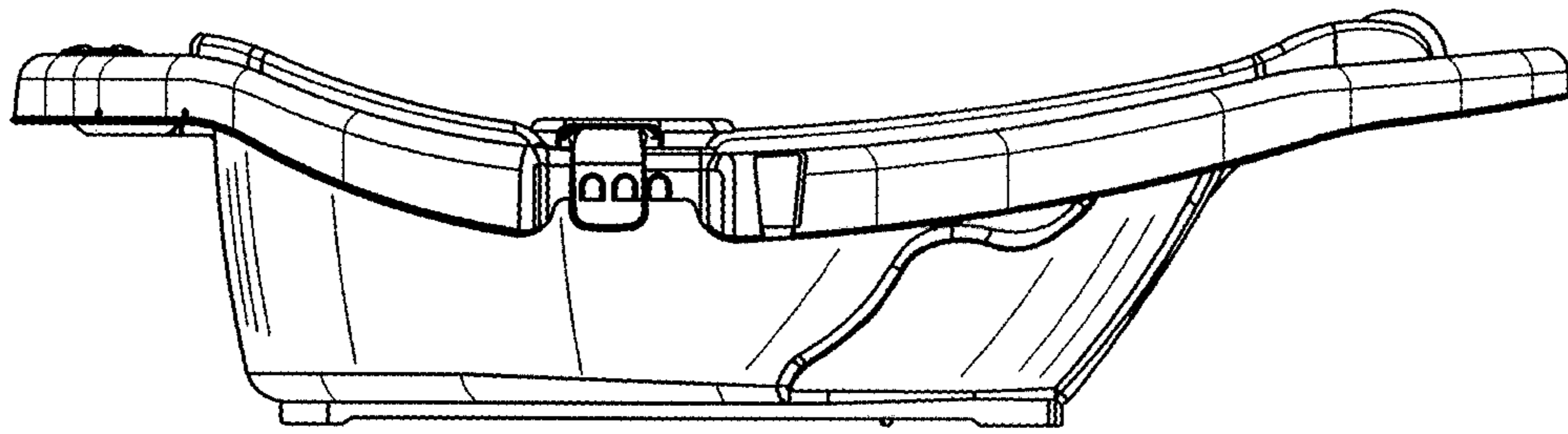


FIG. 3

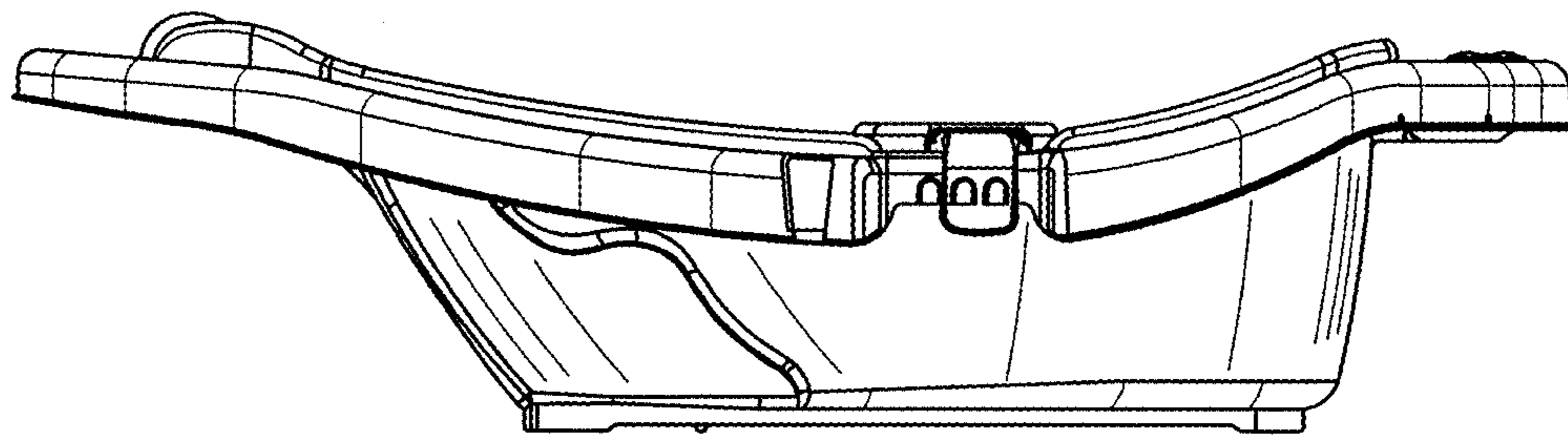


FIG. 4

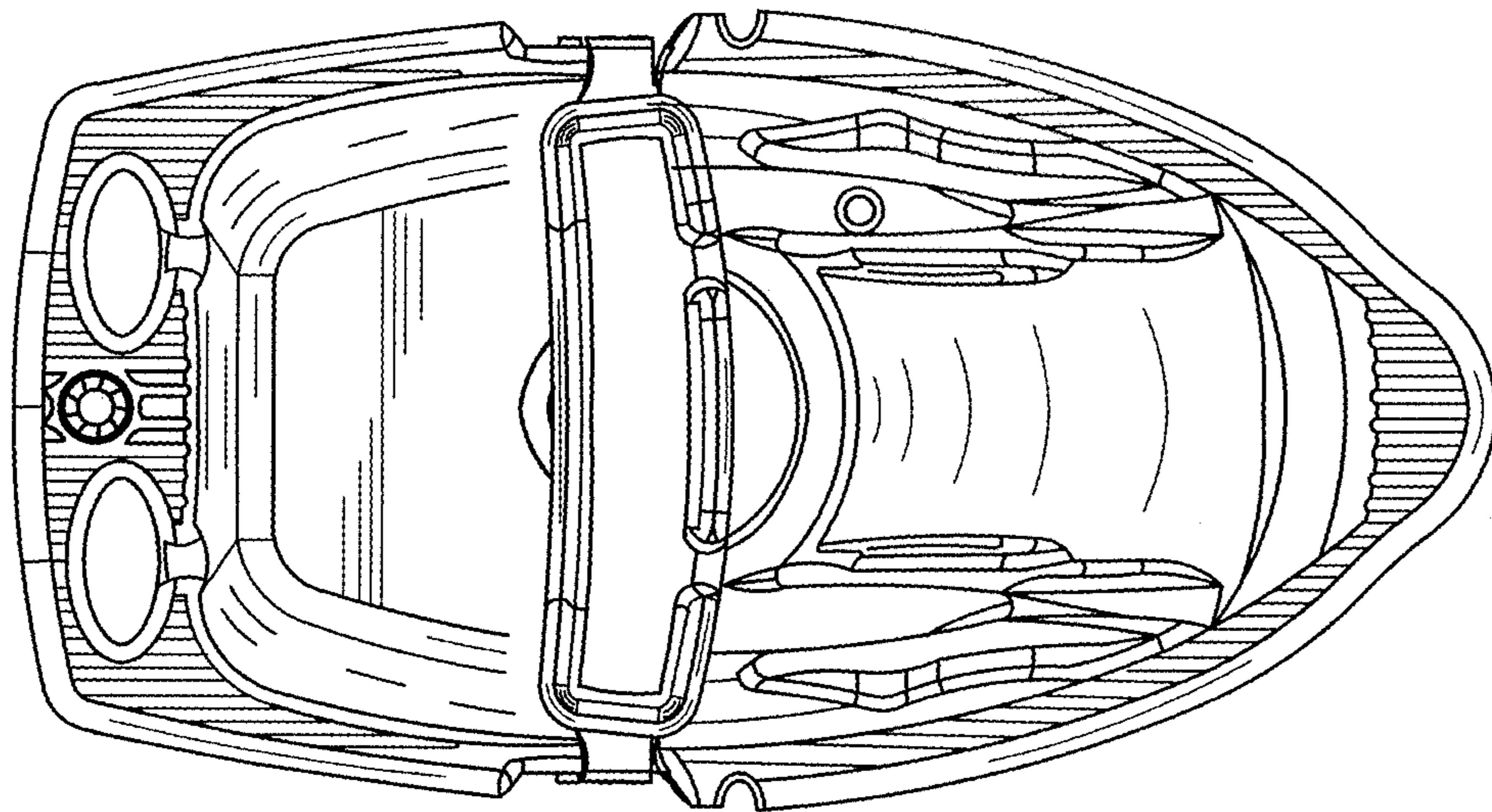


FIG. 5

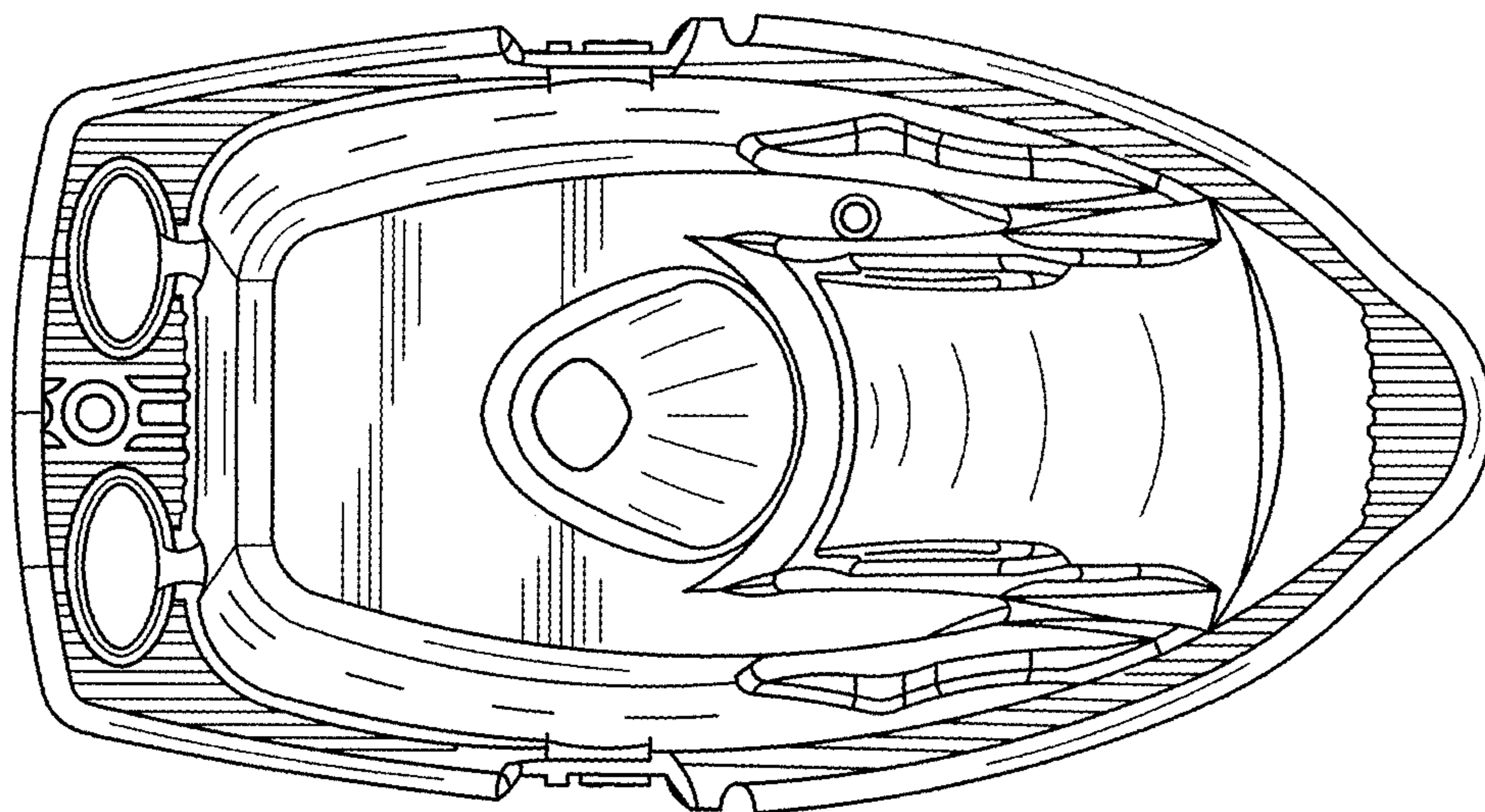


FIG. 6

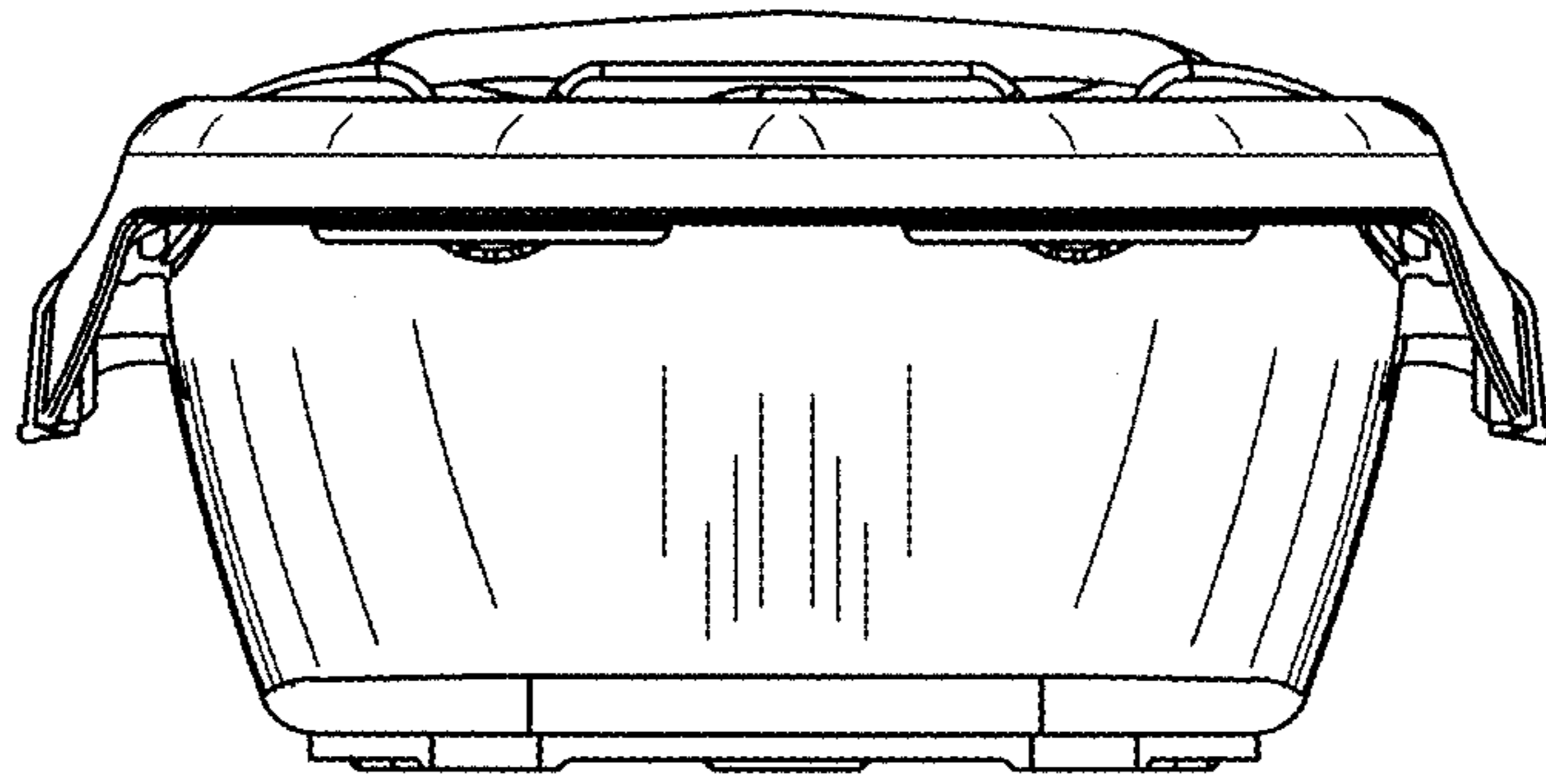


FIG. 7

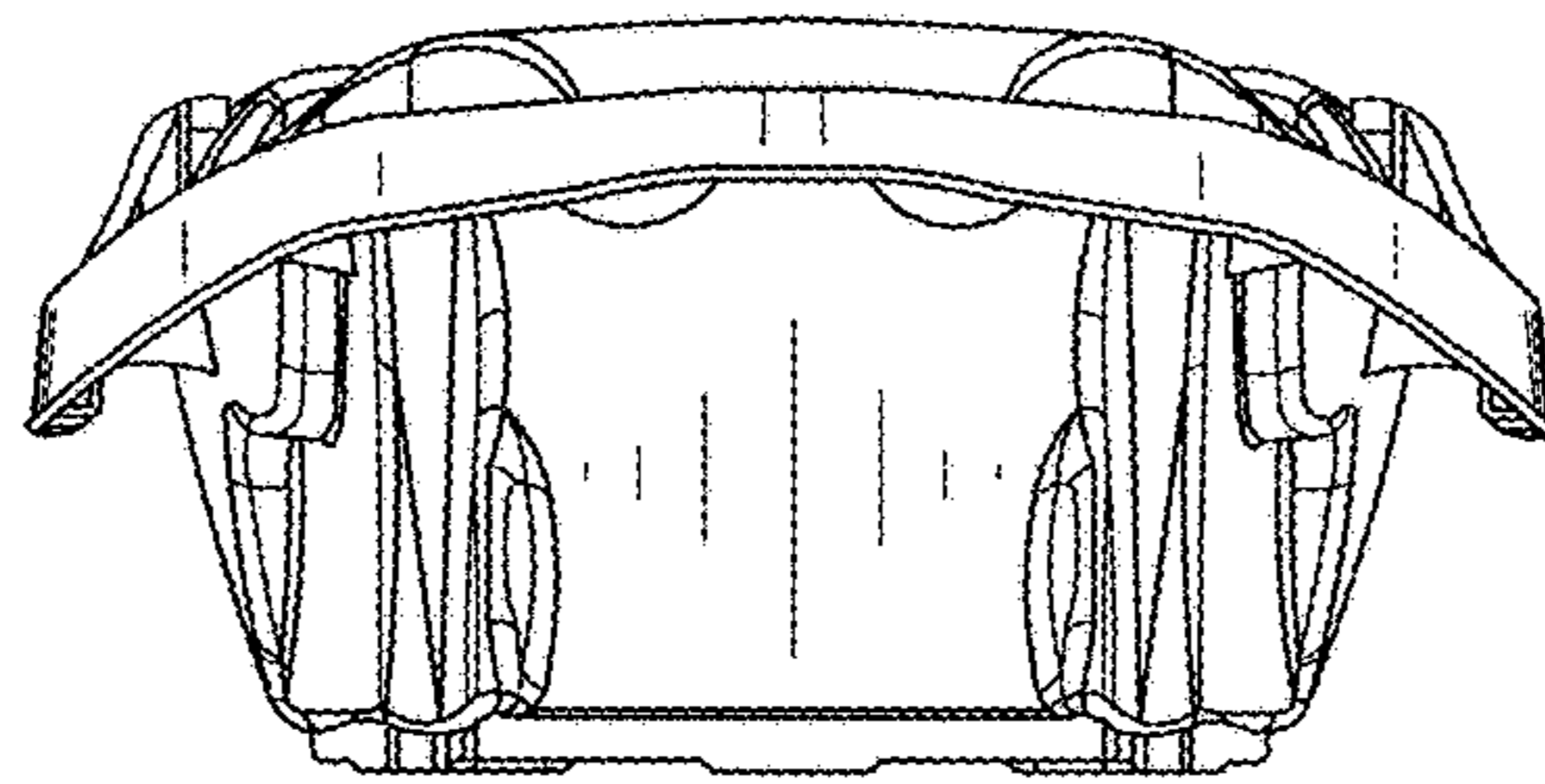


FIG. 8