



US00D787028S

(12) **United States Design Patent** (10) **Patent No.:** **US D787,028 S**
Gomo et al. (45) **Date of Patent:** **** May 16, 2017**

(54) **ELEVATOR TRENCH DRAIN**
(71) Applicant: **Zurn Industries, LLC**, Milwaukee, WI (US)
(72) Inventors: **David M. Gomo**, Lake City, PA (US); **Robert A. DiPlacido**, Erie, PA (US); **Jaroslav J. Plachotnik**, Jamestown, NY (US); **Jason E. Morris**, Erie, PA (US)

6,003,169 A 12/1999 Davis, Jr.
6,290,143 B1 9/2001 Vincent et al.
6,941,703 B2 9/2005 MacLean et al.
D523,537 S * 6/2006 Howard D23/261
7,114,872 B2 10/2006 Alba
(Continued)

(73) Assignee: **Zurn Industries, LLC**, Milwaukee, WI (US)

FOREIGN PATENT DOCUMENTS

EP 1630309 A1 3/2006
JP S52115038 A 9/1977
(Continued)

(**) Term: **15 Years**

Primary Examiner — Eric Goodman
Assistant Examiner — Amy Wierenga
(74) *Attorney, Agent, or Firm* — Quarles & Brady LLP

(21) Appl. No.: **29/558,677**

(57) **CLAIM**

The elevator trench drain, as shown and described.

(22) Filed: **Mar. 21, 2016**

(51) **LOC (10) Cl.** **23-01**

(52) **U.S. Cl.**

USPC **D23/267**

(58) **Field of Classification Search**

USPC D23/259–261, 267–269, 420; 52/302.3; 137/362; 4/679

CPC E03F 5/0407; E03F 5/0408; E03F 5/0409; E03F 5/04; E03F 3/046; E04F 17/00

See application file for complete search history.

DESCRIPTION

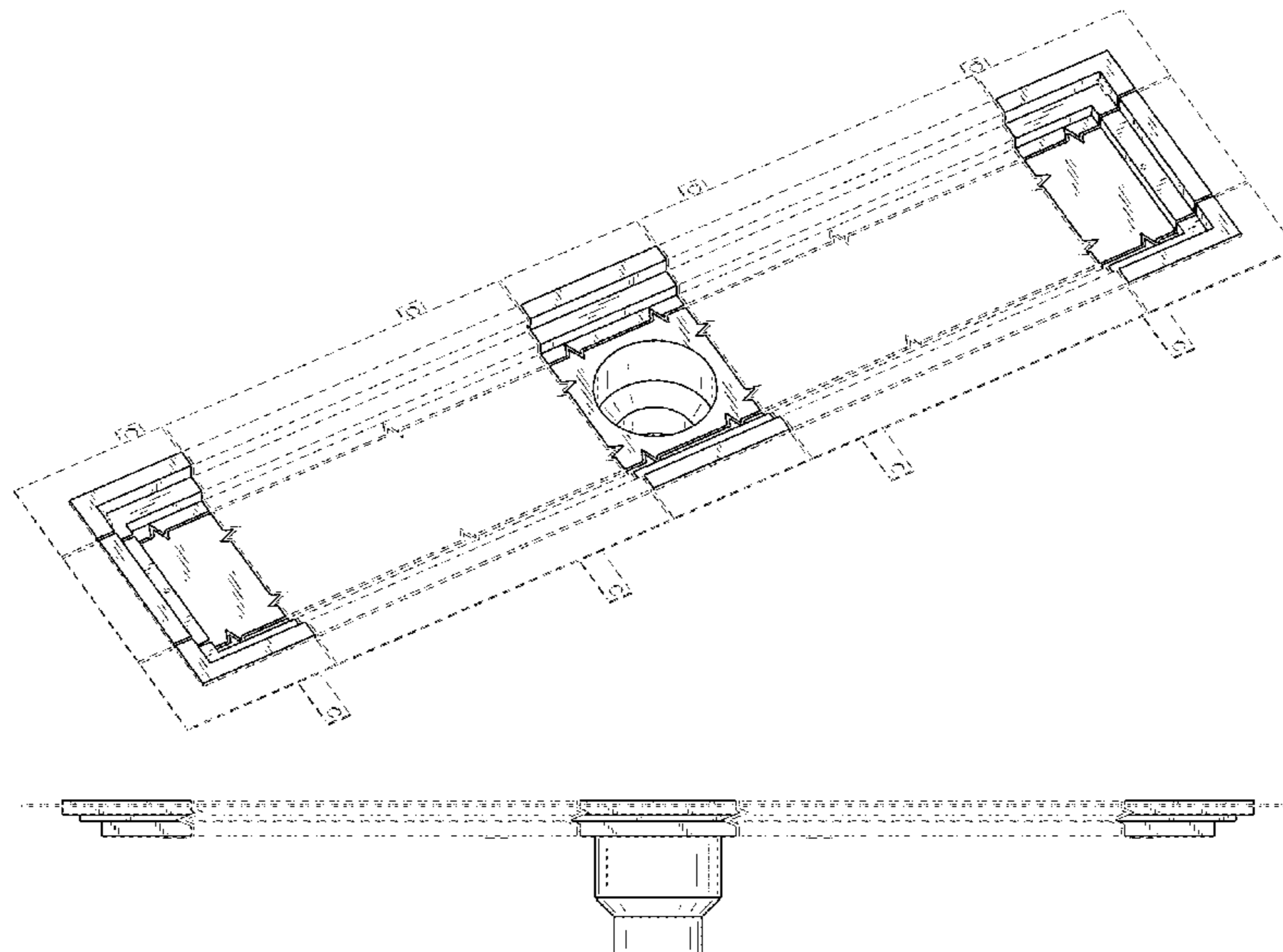
FIG. 1 is a top, front, and left perspective view of an elevator trench drain according to the claimed design; FIG. 2 is a front side elevation view of the elevator trench drain; FIG. 3 is a rear side elevation view of the elevator trench drain; FIG. 4 is a right side elevation view of the elevator trench drain, which is a mirror image of the left side elevation view; FIG. 5 is a top plan view of the elevator trench drain; FIG. 6 is a bottom plan view of the elevator trench drain; and, FIG. 7 is a cross-sectional side view taken through line 7-7 of FIG. 5 illustrating the profile of the drain opening. The broken lines depict portions of the elevator trench drain that form no part of the claim. The elevator trench drain is shown with a symbolic break in its length and width. The appearance of any portion of the article between the break lines forms no part of the claim.

(56) **References Cited**

U.S. PATENT DOCUMENTS

4,067,072 A 1/1978 Izzi
D259,950 S * 7/1981 Henry D23/259
4,541,132 A 9/1985 Long
4,912,349 A 3/1990 Chang
4,964,180 A 10/1990 Harbeke
5,319,812 A 6/1994 Hanrahan et al.
5,324,135 A 6/1994 Smith
D355,707 S * 2/1995 Emanuele D23/259
5,864,990 A 2/1999 Tu
5,979,607 A 11/1999 Allen

1 Claim, 5 Drawing Sheets



(56)

References Cited

U.S. PATENT DOCUMENTS

7,293,937 B2 11/2007 Fuchs et al.
 7,303,669 B2 12/2007 Monneret
 D582,527 S * 12/2008 Wang D23/261
 7,631,471 B2 12/2009 Grunewald et al.
 8,181,288 B1 * 5/2012 Davis, Jr. A47K 3/40
 4/613
 D672,015 S * 12/2012 Luke D23/261
 8,474,068 B2 * 7/2013 Kik, Sr. E03F 3/046
 4/613
 8,505,125 B1 8/2013 Chia et al.
 8,549,678 B2 10/2013 Neidich et al.
 8,658,033 B2 2/2014 Farkas
 8,677,521 B2 3/2014 Stimpson
 8,800,226 B2 8/2014 Bloch
 9,010,363 B2 4/2015 Huber
 9,027,715 B2 5/2015 Bloch et al.
 9,206,593 B2 * 12/2015 Tripodi E03F 5/0407
 9,382,701 B2 * 7/2016 Meyers E03C 1/22
 2005/0230295 A1 10/2005 Monneret
 2007/0034577 A1 2/2007 Bayard et al.
 2008/0276368 A1 11/2008 Neidich et al.
 2009/0113621 A1 5/2009 DeGooyer et al.
 2009/0236293 A1 9/2009 Alvarado
 2010/0162481 A1 * 7/2010 Erlebach E03F 5/04
 4/613
 2011/0023978 A1 2/2011 Keizers
 2011/0067175 A1 * 3/2011 Steylaerts 4/679
 2011/0088161 A1 4/2011 Stimpson

2011/0162137 A1 * 7/2011 Kik, Sr. E03F 3/046
 4/613
 2012/0031712 A1 2/2012 Bloch et al.
 2012/0266968 A1 10/2012 Bloch
 2012/0324644 A2 12/2012 Neidich et al.
 2013/0098472 A1 4/2013 Farkas
 2013/0276226 A1 10/2013 Cook et al.
 2013/0326806 A1 * 12/2013 Stonecipher E03F 5/06
 4/613
 2014/0230140 A1 8/2014 Davis, Jr.
 2014/0262996 A1 9/2014 Alvarado
 2014/0352815 A1 12/2014 Brodey et al.
 2014/0373943 A1 12/2014 Huber
 2015/0240464 A1 * 8/2015 Meyers E03C 1/22
 210/460
 2015/0275498 A1 10/2015 Belanger
 2016/0194861 A1 * 7/2016 Nivelles E03F 5/0407
 285/42
 2016/0305109 A1 10/2016 Meyers
 2016/0309965 A1 10/2016 Berkey

FOREIGN PATENT DOCUMENTS

JP H06227773 A 8/1994
 JP 10059661 A 3/1998
 JP H10324485 A 12/1998
 JP 2005082363 A 3/2005
 WO 9822381 A1 5/1998
 WO 2014012526 A1 1/2014

* cited by examiner

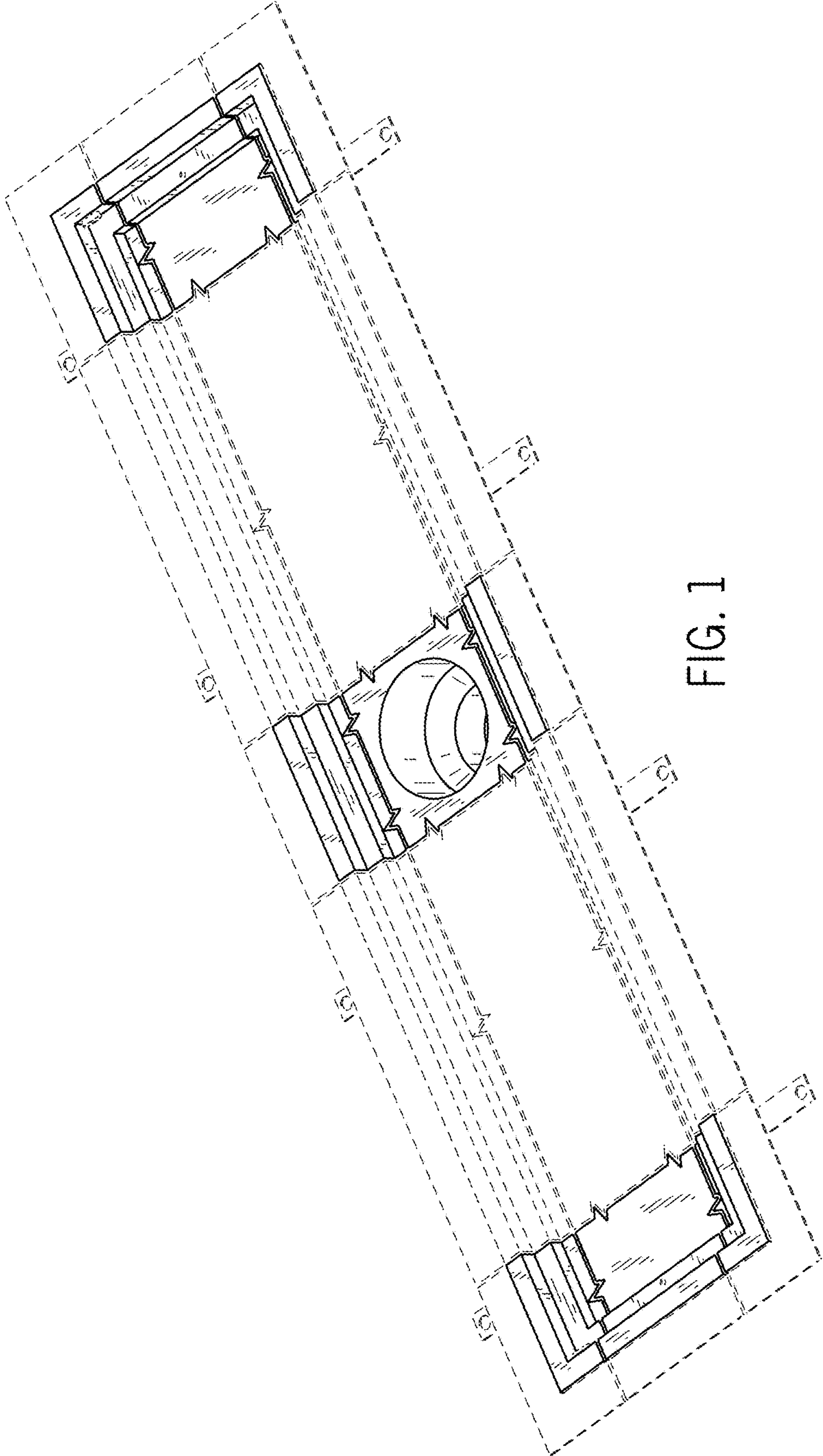


FIG. 1

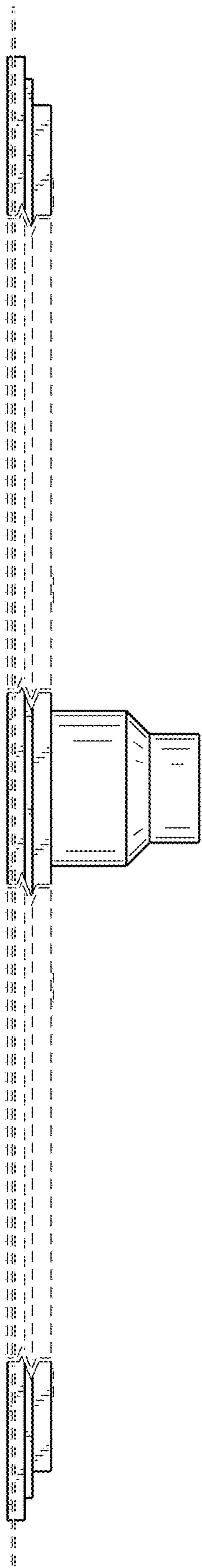


FIG. 2

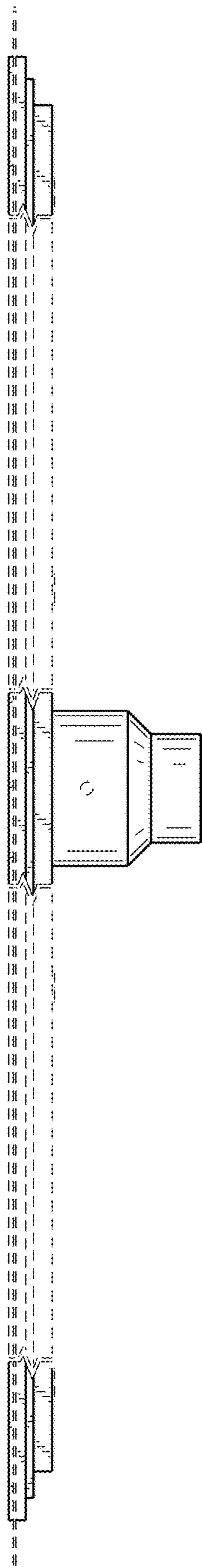


FIG. 3

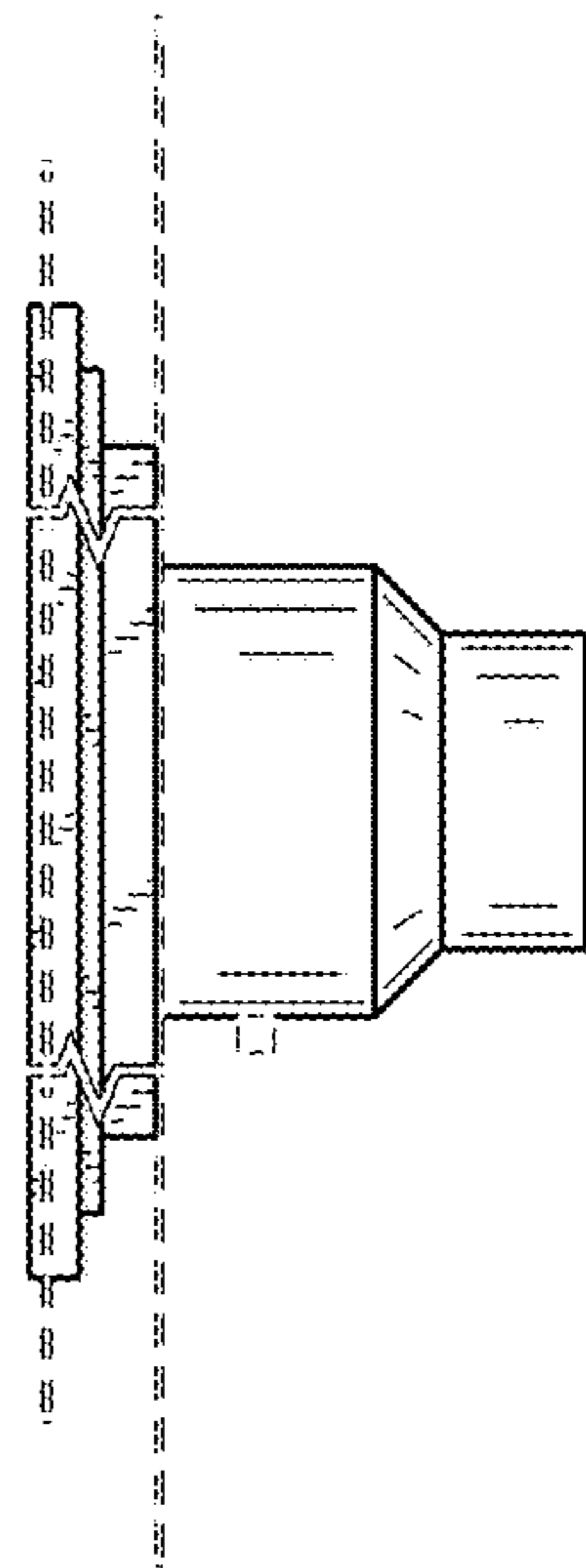


FIG. 4

FIG. 5

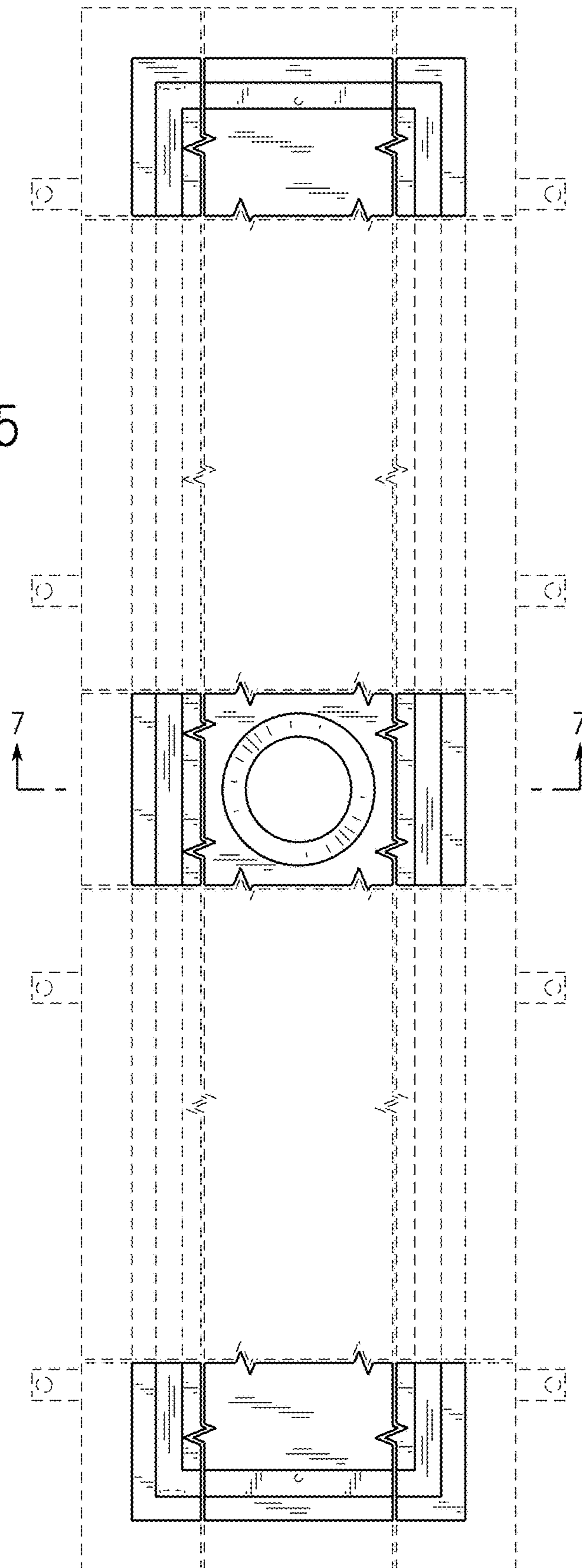
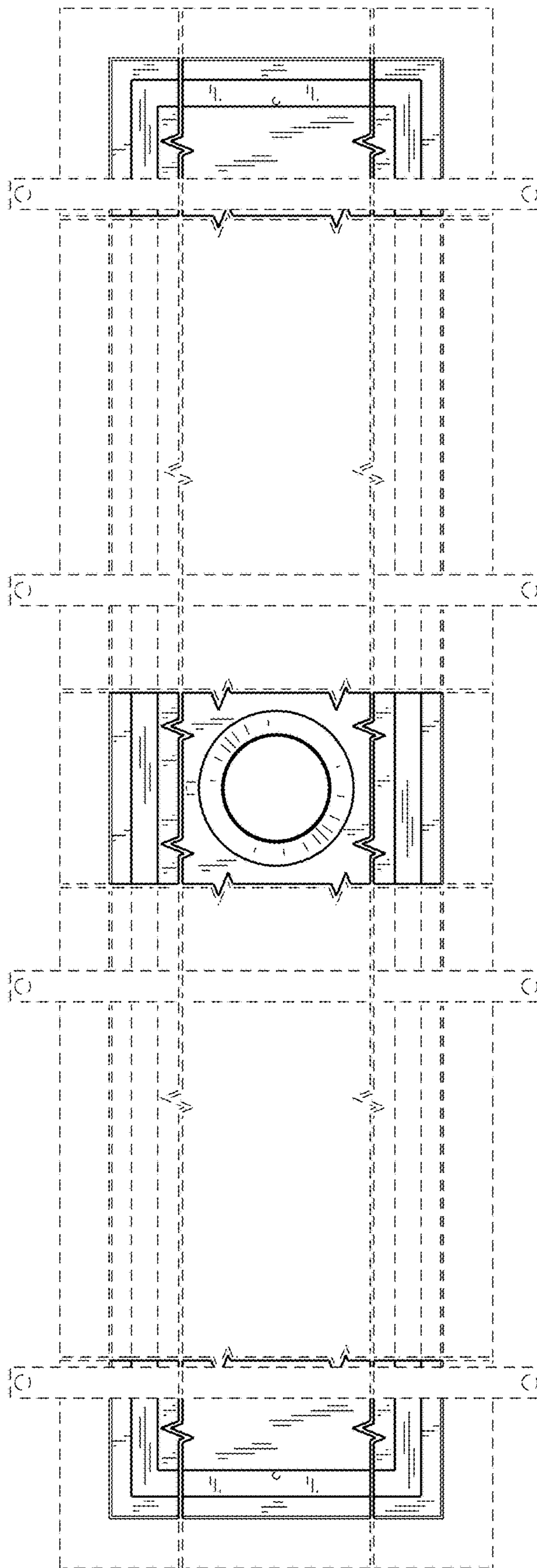


FIG. 6



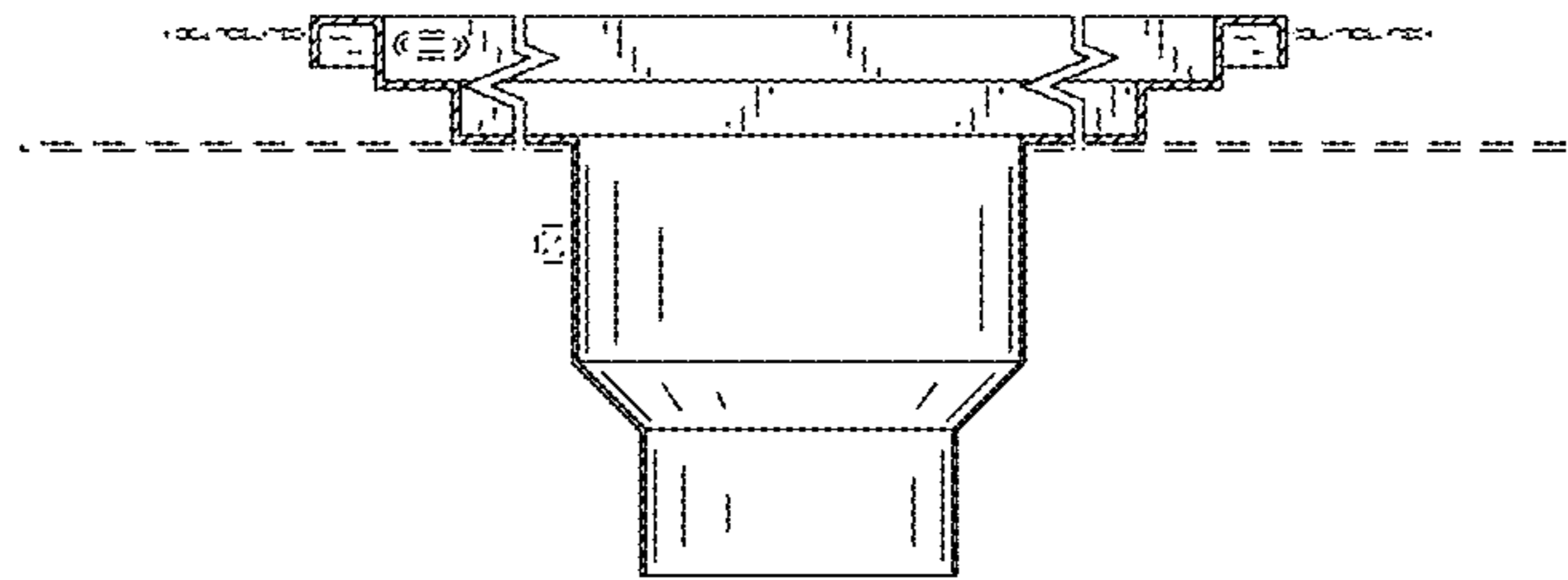


FIG. 7