



US00D787027S

(12) **United States Design Patent**
Wildfang

(10) **Patent No.:** **US D787,027 S**
(45) **Date of Patent:** **** May 16, 2017**

(54) **FLEXIBLE HOSE WITH TOOL
ENGAGEMENT SURFACE AND HOSE
CONNECTIONS/HOSE FITTINGS**

FOREIGN PATENT DOCUMENTS

DE DM082874 2/2014

(71) Applicant: **Neoperl GmbH**, Mullheim (DE)

OTHER PUBLICATIONS

(72) Inventor: **Fabian Wildfang**, Mullheim (DE)

* Flexile hose, no reference date available, [site visited Oct. 9, 2014]. Available online <URL: http://e-catalog.rusbiz.com/product/stainless_steel_flexible_metal_hose_pipe_for_gas_connector_69772.html>.

(73) Assignee: **Neoperl GmbH**, Müllheim (DE)

(**) Term: **15 Years**

Primary Examiner — Darlington Ly
Assistant Examiner — Daniel J Domino

(21) Appl. No.: **29/543,136**

(74) *Attorney, Agent, or Firm* — Volpe and Koenig, P.C.

(22) Filed: **Oct. 21, 2015**

Related U.S. Application Data

(62) Division of application No. 29/499,919, filed on Aug. 20, 2014, now Pat. No. Des. 744,072.

(57) **CLAIM**

The ornamental design for a flexible hose with tool engagement surface and hose connection/hose fittings, as shown and described.

(30) **Foreign Application Priority Data**

Mar. 27, 2014 (EP) 001407555

DESCRIPTION

(51) **LOC (10) Cl.** **23-01**

(52) **U.S. Cl.**
USPC **D23/266**

(58) **Field of Classification Search**
USPC D23/213, 223, 224, 229, 230, 259, 260,
D23/261, 263, 266; D24/129; D13/155
CPC F16L 11/10; F16L 11/125; F16L 57/04
See application file for complete search history.

FIG. 1 is a top plan view of a flexible hose with tool engagement surface and hose connections/hose fittings in accordance with my design;
FIG. 2 is a top, front perspective view thereof;
FIG. 3 is a bottom view thereof;
FIG. 4 is a left side elevational view thereof;
FIG. 5 is a front elevational view thereof;
FIG. 6 is a right side elevational view thereof;
FIG. 7 is a rear elevational view thereof;
FIG. 8 is a top plan view of a second embodiment thereof;
FIG. 9 is a top, front perspective view thereof;
FIG. 10 is a bottom view thereof;
FIG. 11 is a left side elevational view thereof;
FIG. 12 is a front elevational view thereof;
FIG. 13 is a right side elevational view thereof; and,
FIG. 14 is a rear elevational view thereof.
The broken lines showing portions of the article form no part of the claimed design.

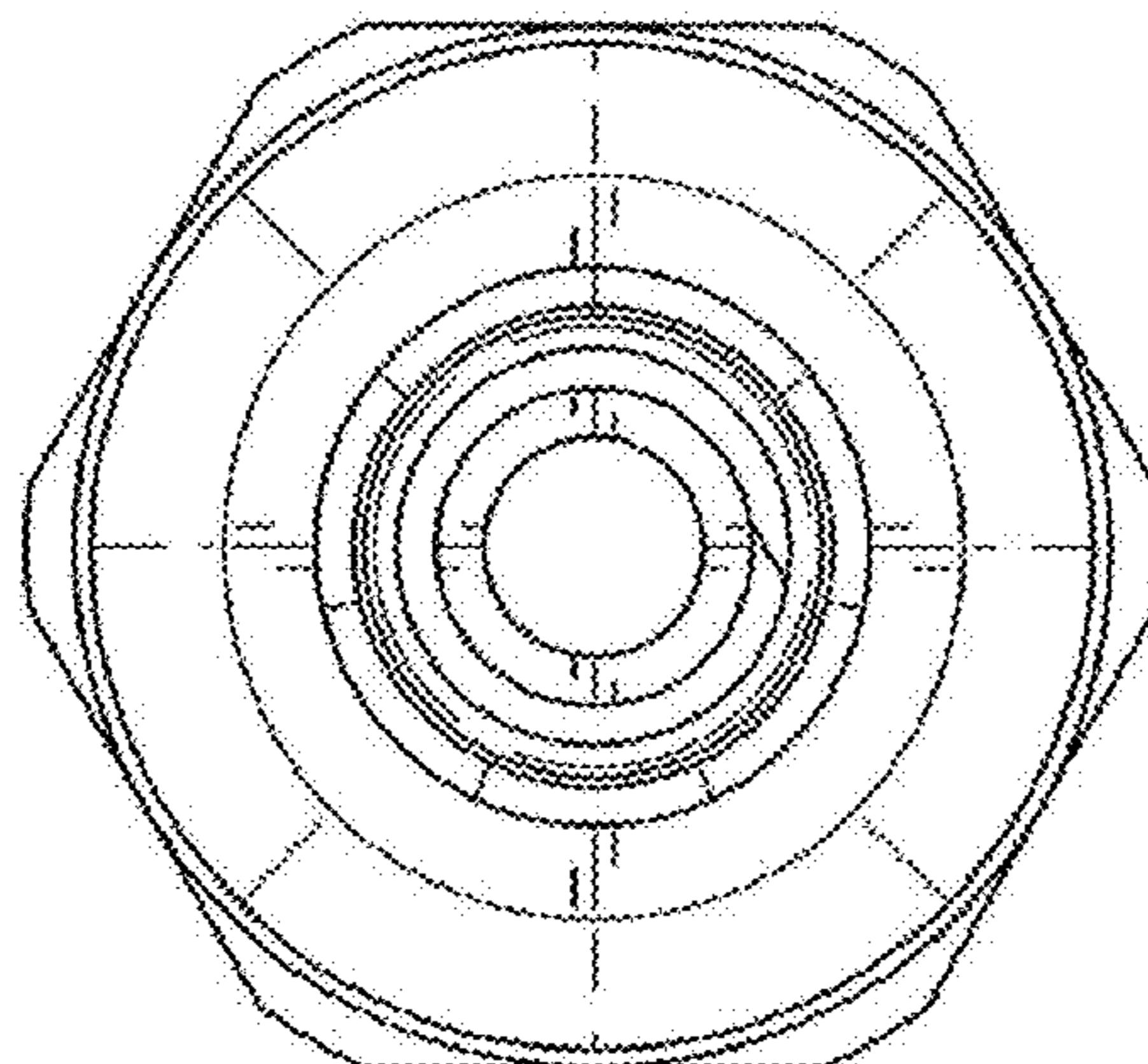
(56) **References Cited**

U.S. PATENT DOCUMENTS

D180,850 S * 8/1957 Stahl D23/266
D318,102 S * 7/1991 Papai 285/239
D368,299 S * 3/1996 Ratledge D23/235
D396,730 S * 8/1998 Schaupp D23/259
D412,738 S * 8/1999 Kuwabara D23/233
6,302,152 B1 * 10/2001 Mulligan F16L 11/10
138/109
D479,741 S * 9/2003 Chiu D23/266

(Continued)

1 Claim, 14 Drawing Sheets



(56)

References Cited

U.S. PATENT DOCUMENTS

D483,096	S	*	12/2003	Gotoh	D23/235
D499,464	S	*	12/2004	Caine	D23/233
D597,637	S	*	8/2009	Krohmer	D23/266
D603,941	S	*	11/2009	Leelaprachakul	D23/266
D605,737	S	*	12/2009	von Glanstaetten	D23/266
D608,424	S	*	1/2010	Katsuta	D23/266
D615,166	S	*	5/2010	Patti	D23/266
D627,038	S	*	11/2010	Yu	D23/260
D627,039	S	*	11/2010	Yu	D23/260
D642,244	S	*	7/2011	Wilhelm	D23/262
D648,008	S	*	11/2011	Percoco	D23/262
D698,415	S	*	1/2014	Wyne	D23/213
D700,683	S	*	3/2014	Atwell	D23/235
D744,072	S	*	11/2015	Wildfang	D23/266
D759,216	S	*	6/2016	Kozak	D23/266
D760,876	S	*	7/2016	Kozak	D23/266
2008/0190506	A1	*	8/2008	Cleveland	F16L 57/04 138/110

* cited by examiner

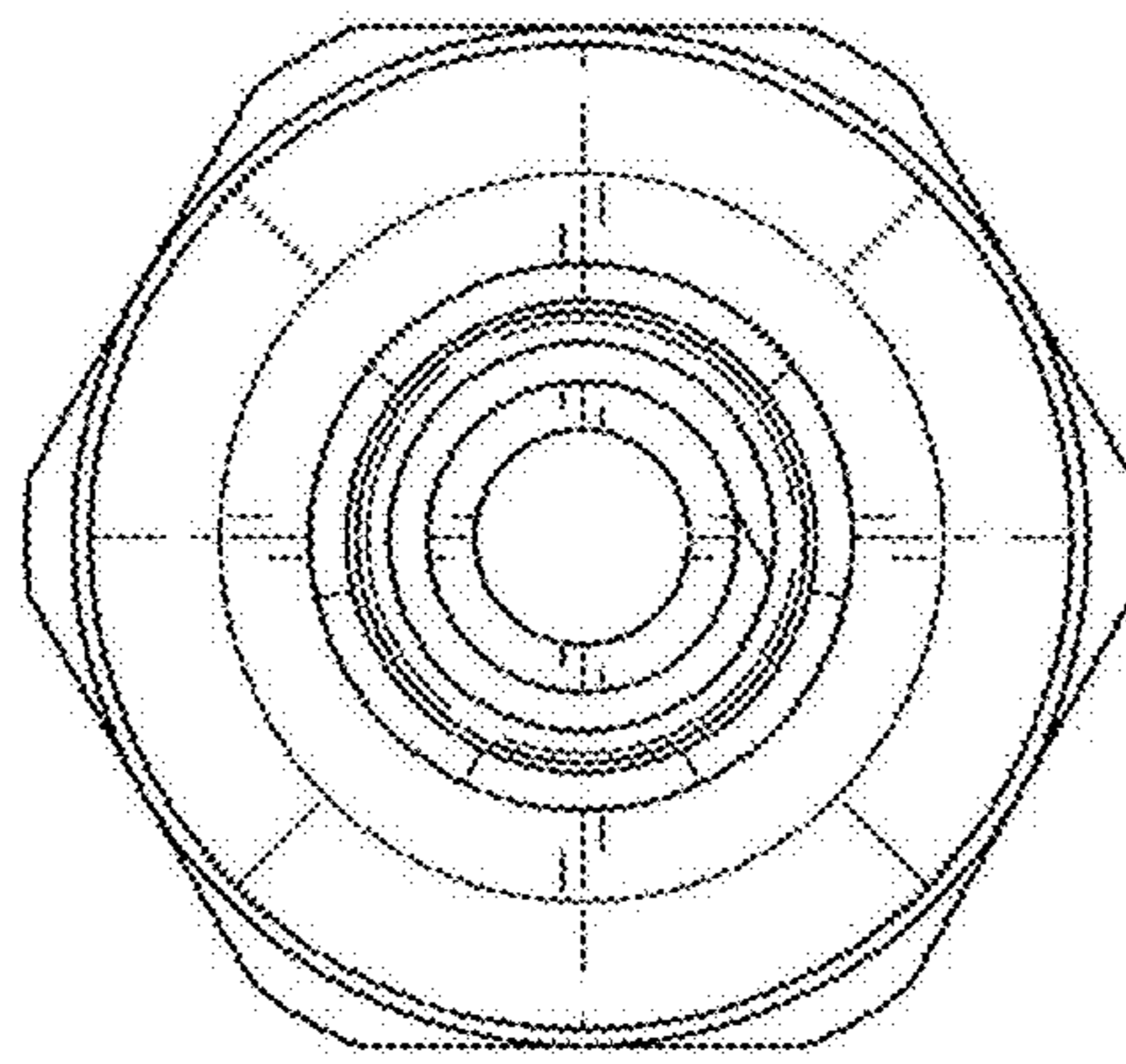


Fig. 1

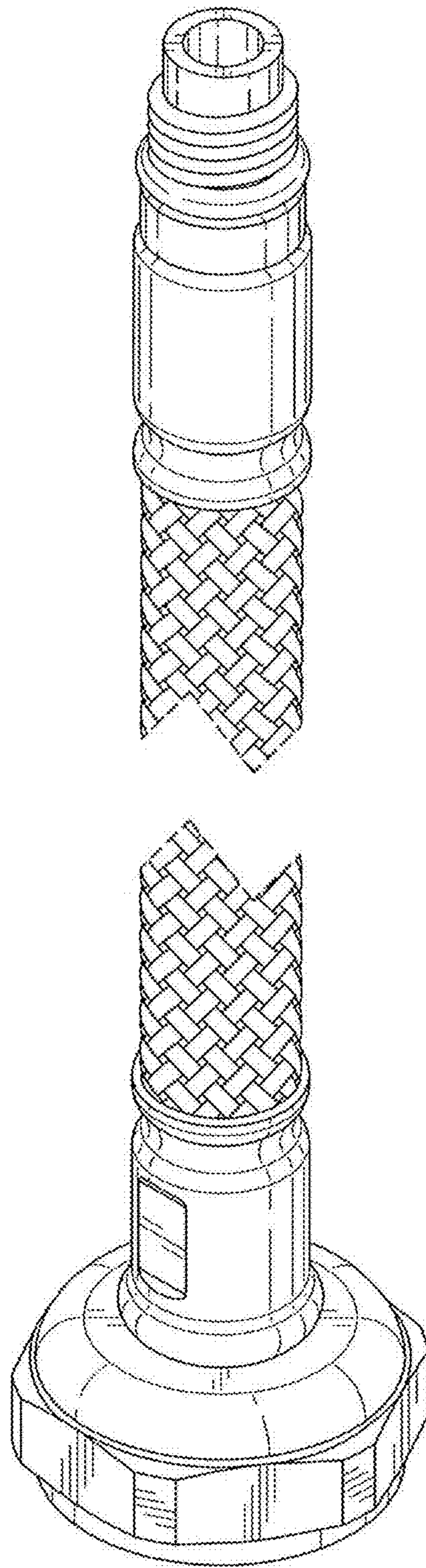


Fig. 2

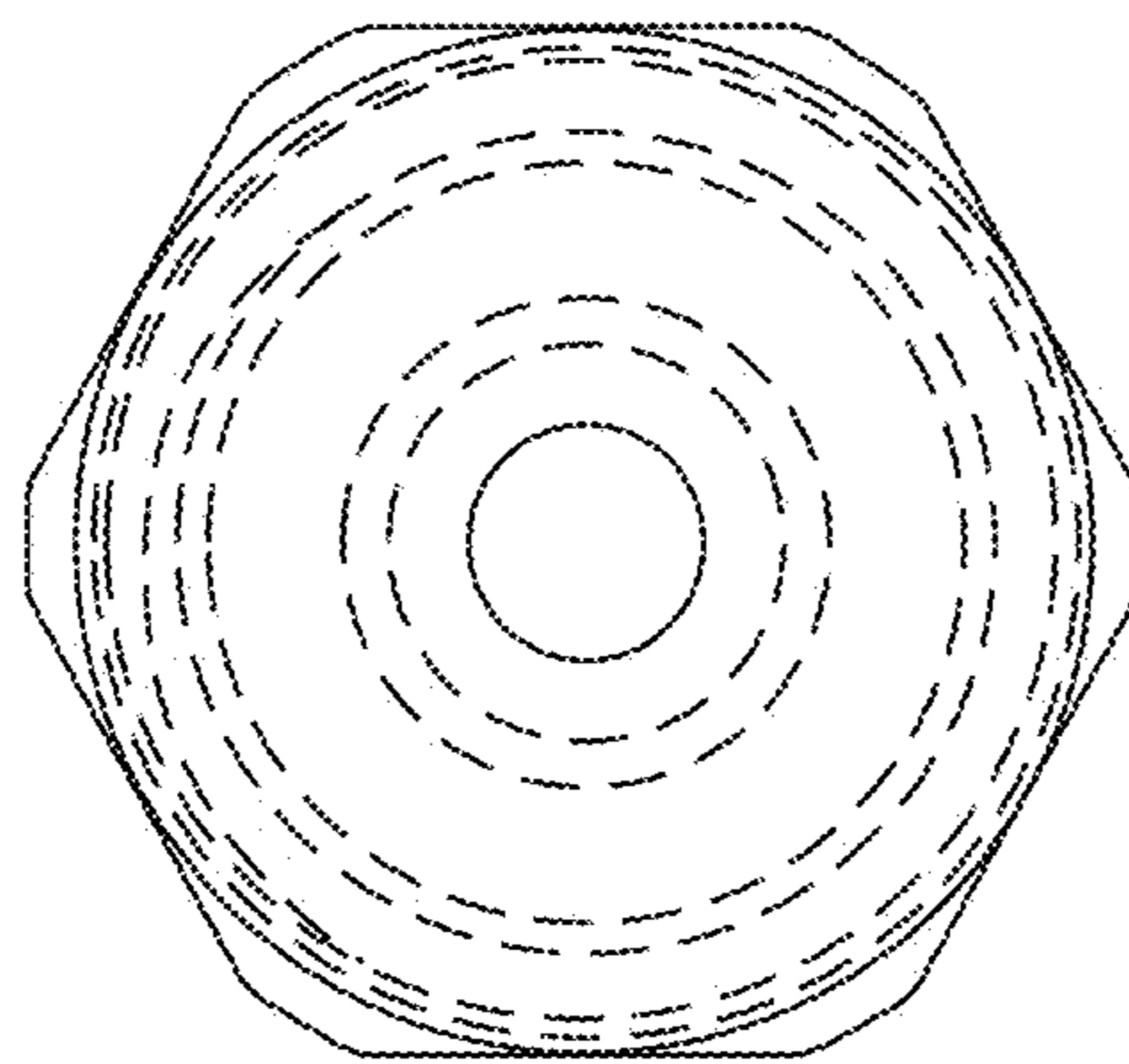


Fig. 3

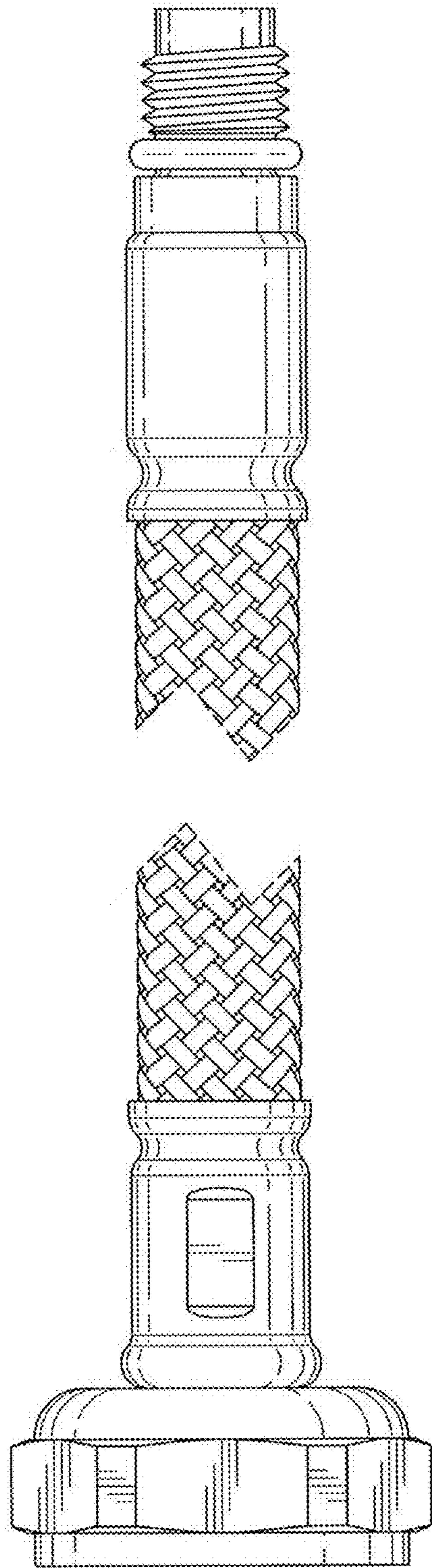


Fig. 4

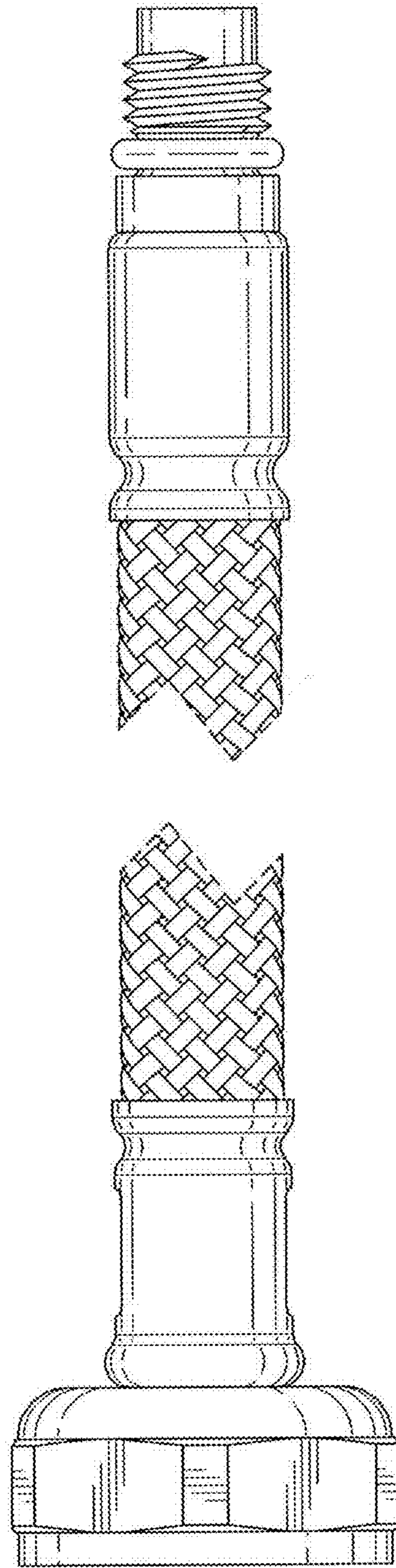


Fig. 5

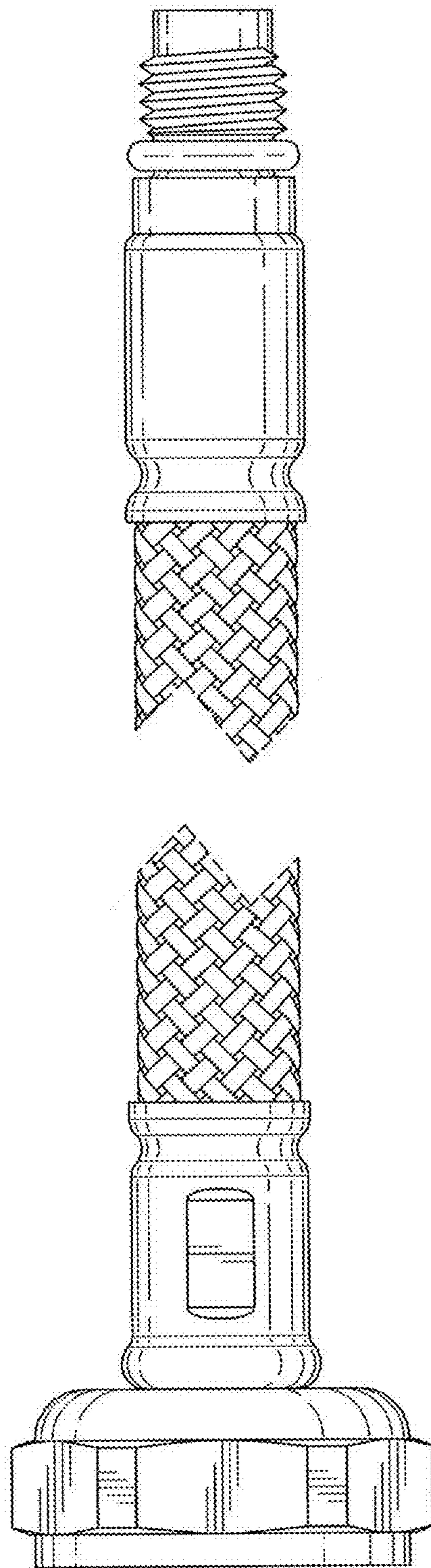


Fig. 6

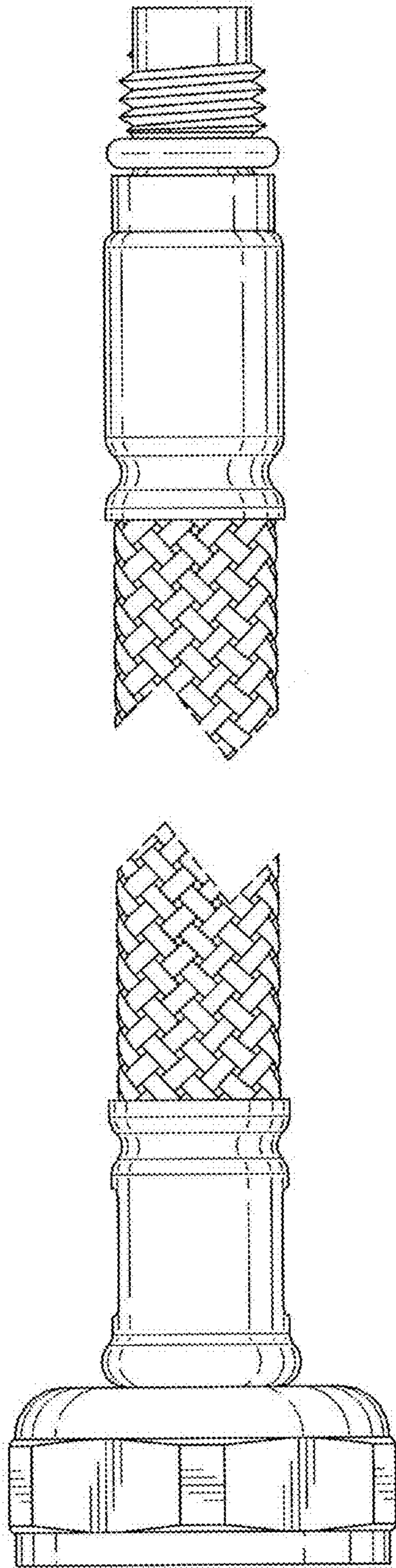


Fig. 7

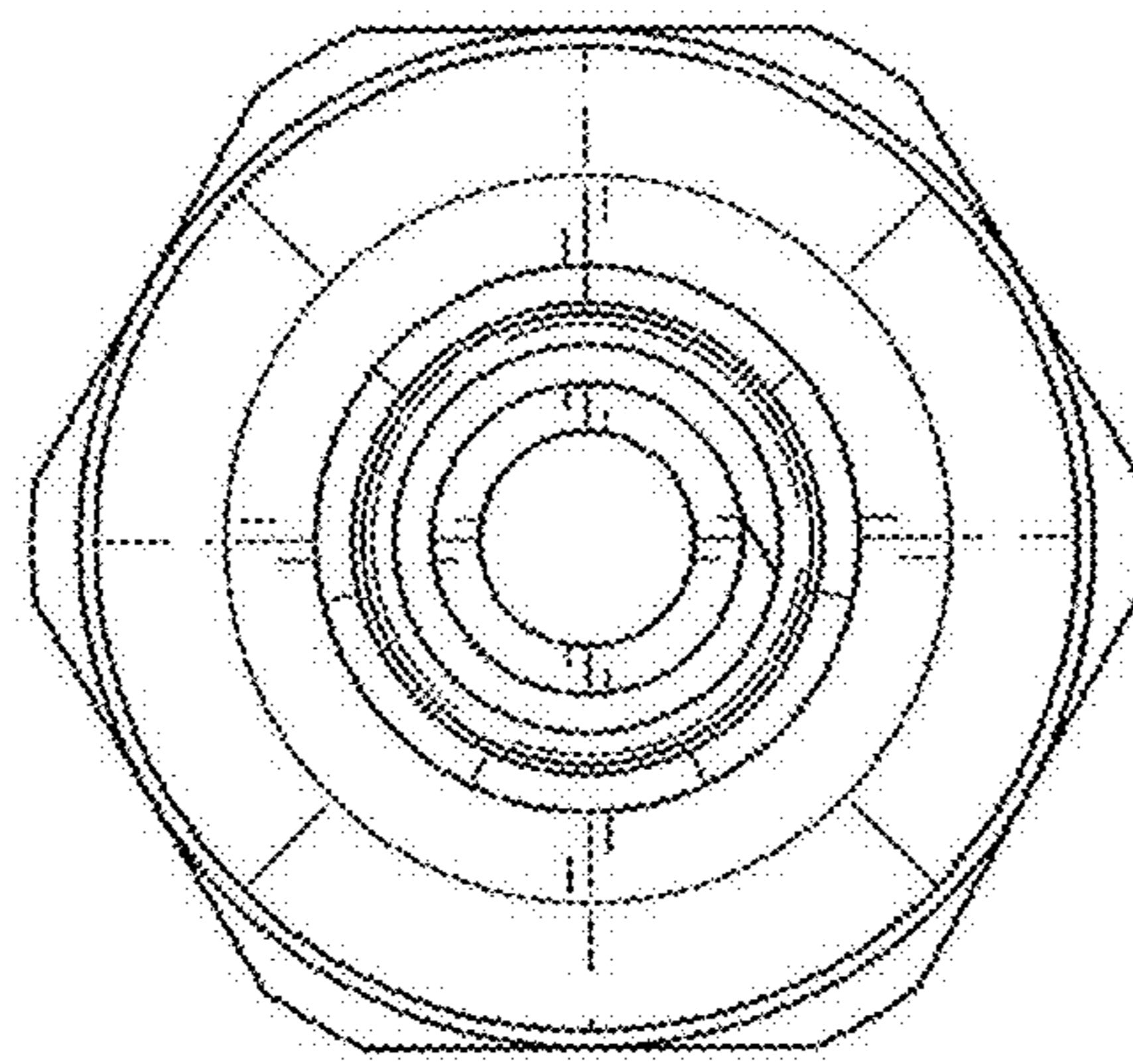


Fig. 8

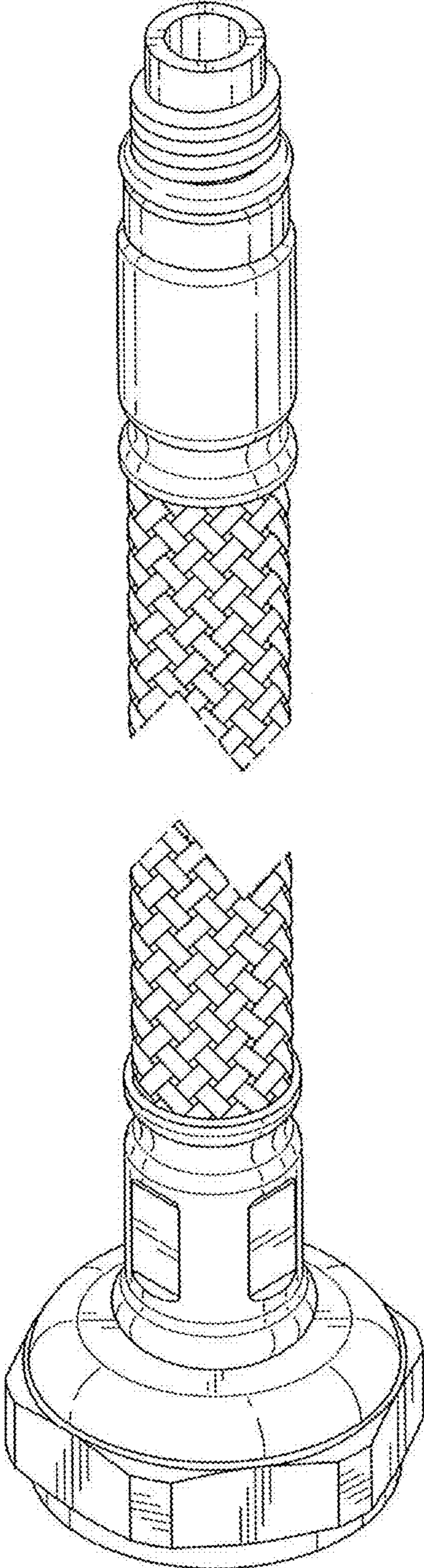


Fig. 9

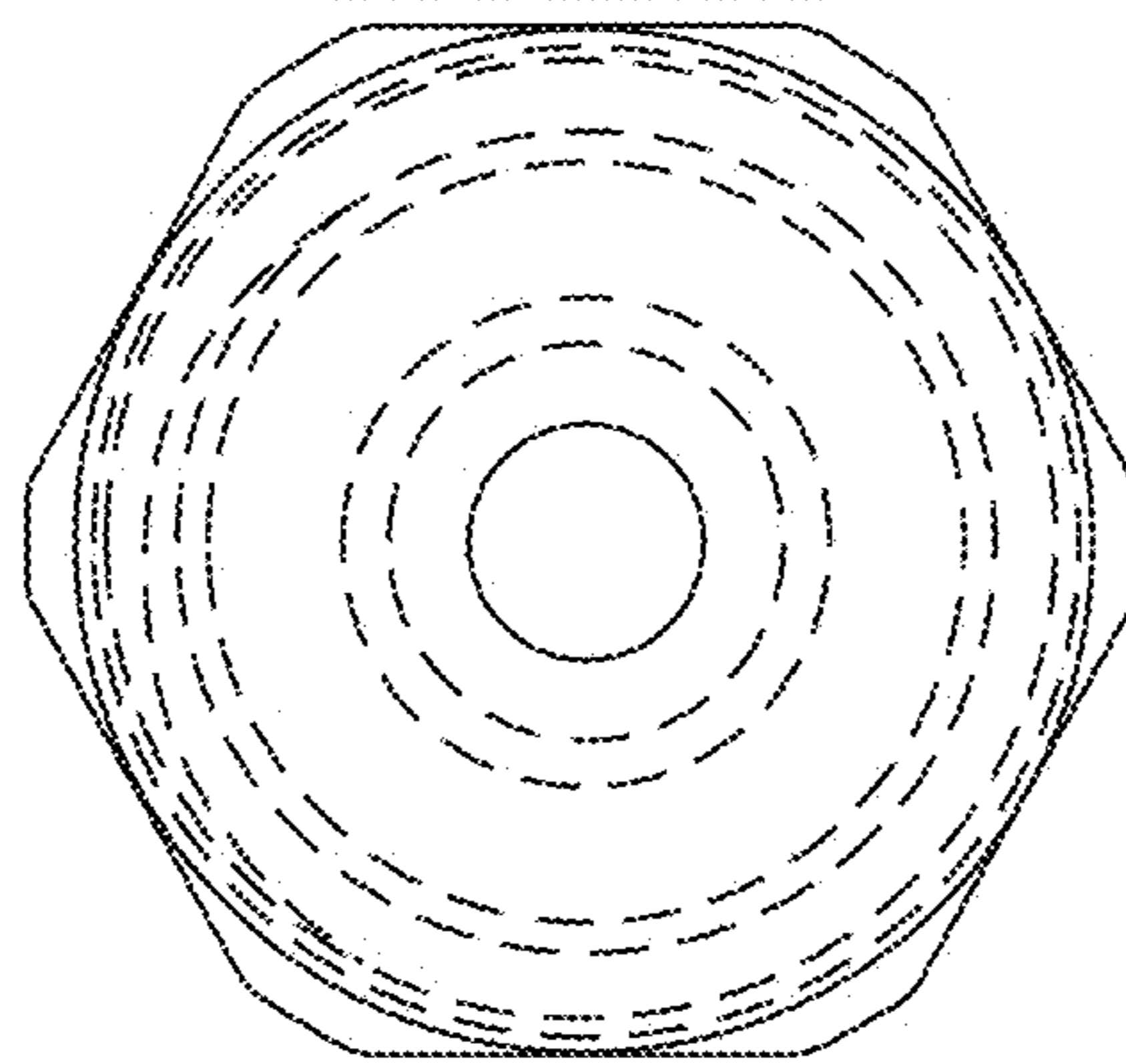


Fig. 10

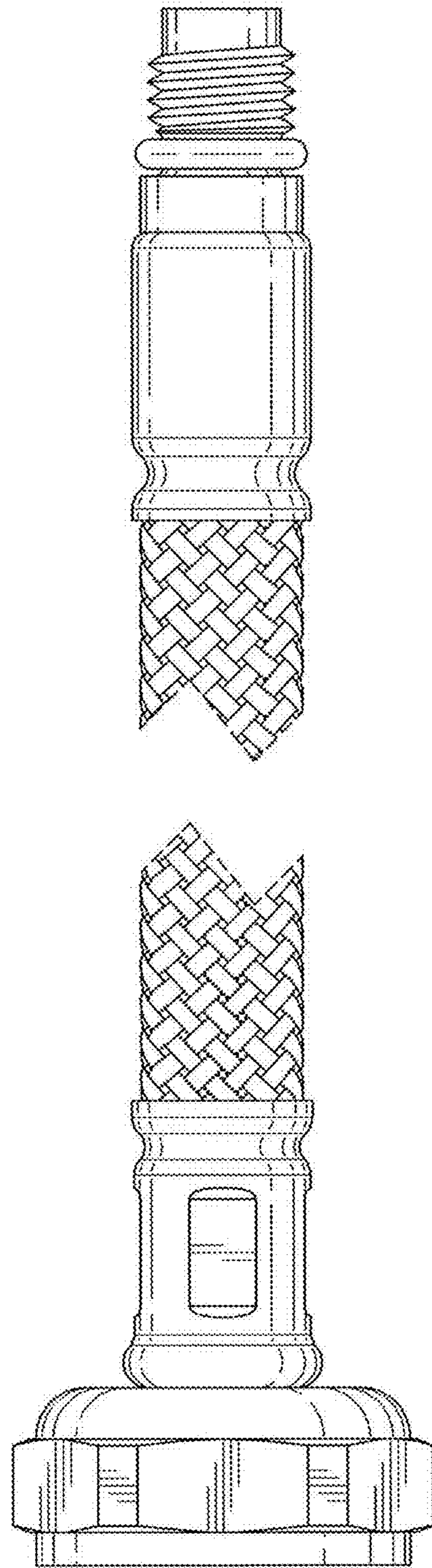


Fig. 11

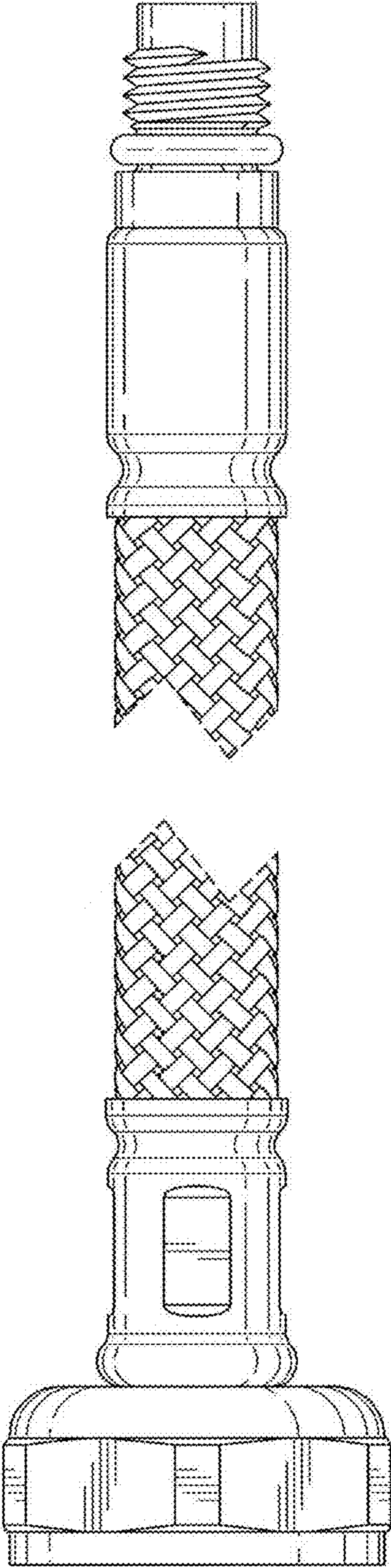


Fig. 12

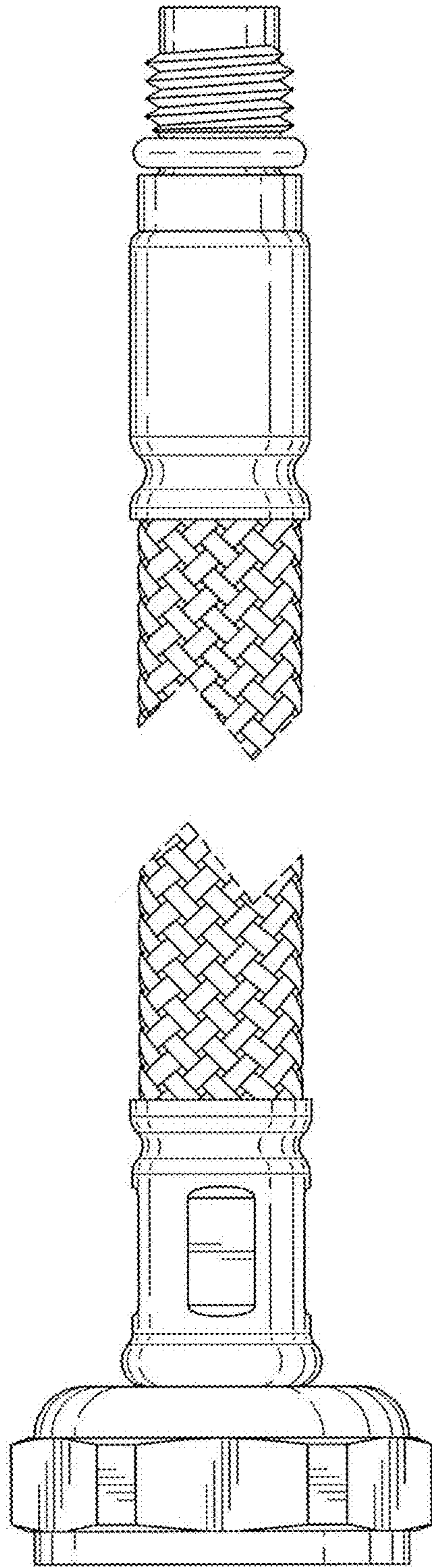


Fig. 13

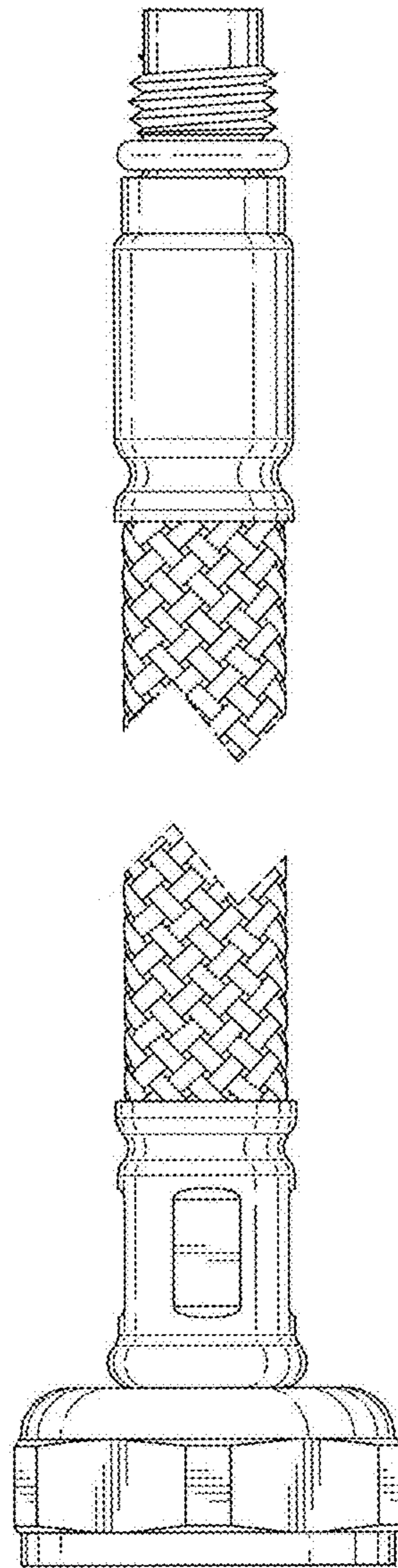


Fig. 14