



US00D787026S

(12) **United States Design Patent**  
**Filer**

(10) **Patent No.:** **US D787,026 S**

(45) **Date of Patent:** **\*\* May 16, 2017**

(54) **PLASTIC PIPE INSERTION STOP**

(71) Applicant: **S & B Technical Products, Inc.**, Fort Worth, TX (US)

(72) Inventor: **John T. Filer**, Colorado City, CO (US)

(73) Assignee: **S & B Technical Products, Inc.**, Fort Worth, TX (US)

(\*\*) Term: **15 Years**

(21) Appl. No.: **29/565,449**

(22) Filed: **May 20, 2016**

(51) **LOC (10) Cl.** ..... **23-01**

(52) **U.S. Cl.**  
USPC ..... **D23/262; D23/269**

(58) **Field of Classification Search**  
USPC ..... D23/259–265, 268–269, 233, 249;  
277/351–354, 372, 504, 603, 616, 397,  
277/523, 620; 285/86–92, 133.21, 232,  
285/351, 910, 918; 292/308  
CPC ..... F16L 17/025; F16L 21/022; F16L 5/02;  
F16L 5/08; F16L 5/10; F16J 15/125  
See application file for complete search history.

(56) **References Cited**

**U.S. PATENT DOCUMENTS**

D360,018 S *	7/1995	Sonden	.....	D23/262
D386,246 S *	11/1997	Sonden	.....	D23/262
D456,071 S *	4/2002	Mattsson	.....	D23/393
6,709,021 B2 *	3/2004	Duncan	.....	F16L 33/04
				285/109
D534,253 S *	12/2006	Sandman	.....	D23/269
D558,310 S *	12/2007	Quesada	.....	D23/269
D559,095 S *	1/2008	Lalancette	.....	D8/396
D574,472 S *	8/2008	Kanao	.....	D23/262
7,523,964 B2 *	4/2009	Sandman	.....	F16L 17/025
				277/616
D607,091 S *	12/2009	Weston	.....	D23/269

D614,271 S *	4/2010	Weston	.....	D23/269
D615,857 S *	5/2010	Chandler	.....	D23/265
D616,072 S *	5/2010	Henry	.....	D23/262

(Continued)

**OTHER PUBLICATIONS**

EBBA Iron, Inc., “Mega-Stop ®, Series 5000, Bell Protection System”, Product Brochure, 4 pages, © 2013, www.ebaa.com.

*Primary Examiner* — Eric Goodman

*Assistant Examiner* — Amy Wierenga

(74) *Attorney, Agent, or Firm* — Whitaker Chalk Swindle & Schwartz PLLC; Charles Gunter

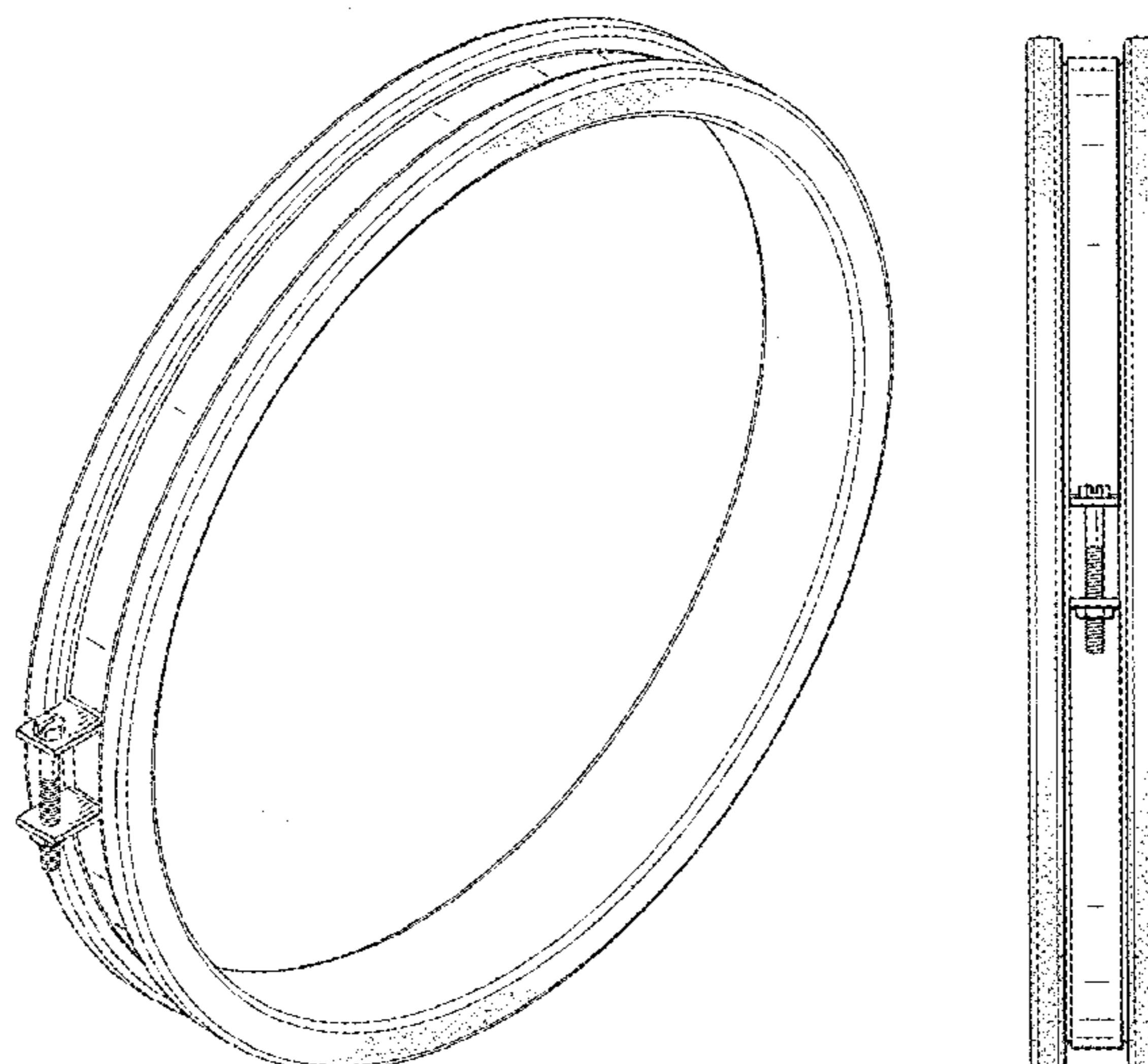
(57) **CLAIM**

The ornamental design for a plastic pipe insertion stop, as shown and described.

**DESCRIPTION**

FIG. 1 is a perspective view of the plastic pipe insertion stop of the invention;  
 FIG. 2 is a left side view of the plastic pipe insertion stop of FIG. 1;  
 FIG. 3 is a right side view of the plastic pipe insertion stop of FIG. 1;  
 FIG. 4 is a top view of the plastic pipe insertion stop of FIG. 1;  
 FIG. 5 is a bottom view of the plastic pipe insertion stop of FIG. 1;  
 FIG. 6 is another side view of the plastic pipe insertion stop of the invention shown rotated 90° from the view shown in FIG. 2;  
 FIG. 7 is another side view of the plastic pipe insertion stop shown rotated 180° from the view shown in FIG. 6; and  
 FIG. 8 is a perspective view of the article shown in a position of use; and,  
 FIG. 9 is another perspective view of the article shown in a position of use.  
 The broken lines shown in FIGS. 8 and 9 depict environment only that form no part of the claim.

**1 Claim, 7 Drawing Sheets**



(56)

**References Cited**

U.S. PATENT DOCUMENTS

D625,783 S \* 10/2010 Madara ..... D23/262  
D715,412 S \* 10/2014 Sgherri ..... D23/259  
2003/0227179 A1\* 12/2003 Mardis ..... G01R 11/24  
292/308  
2008/0001401 A1 1/2008 Quesada et al.  
2008/0018017 A1 1/2008 Quesada et al.

\* cited by examiner

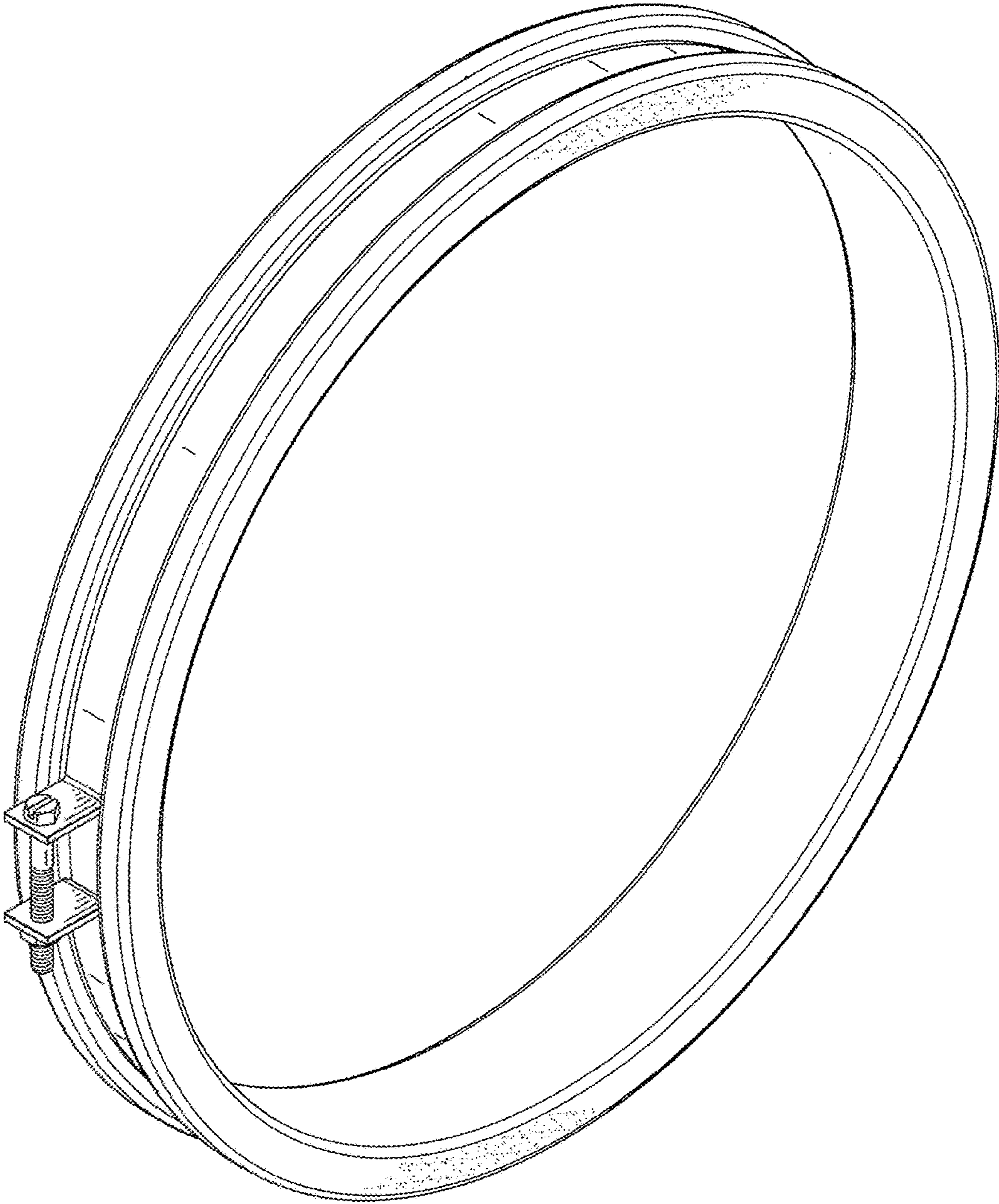


FIG. 1

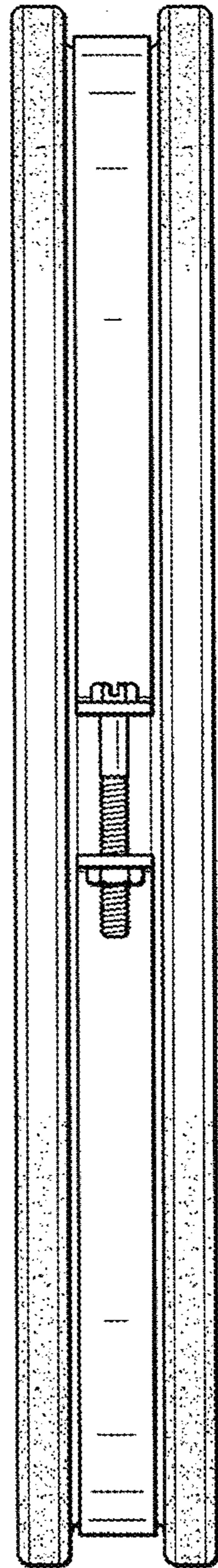


FIG. 2

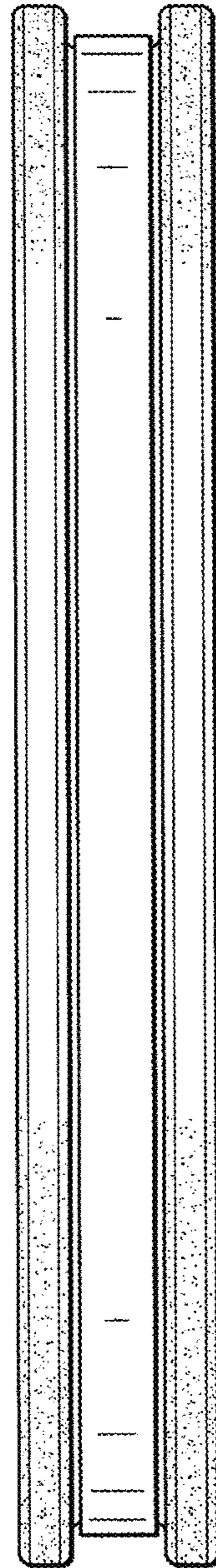


FIG. 3



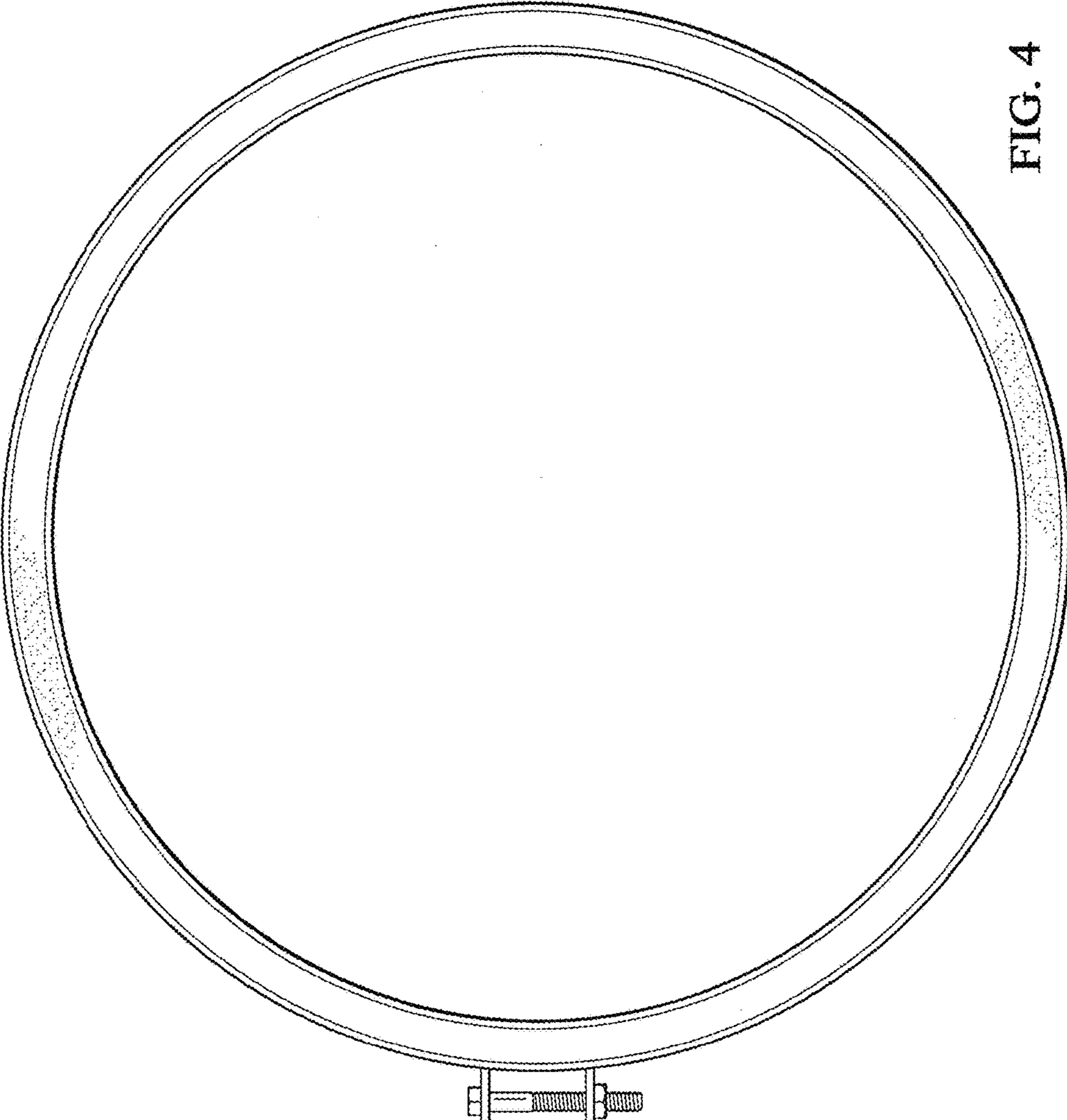


FIG. 4

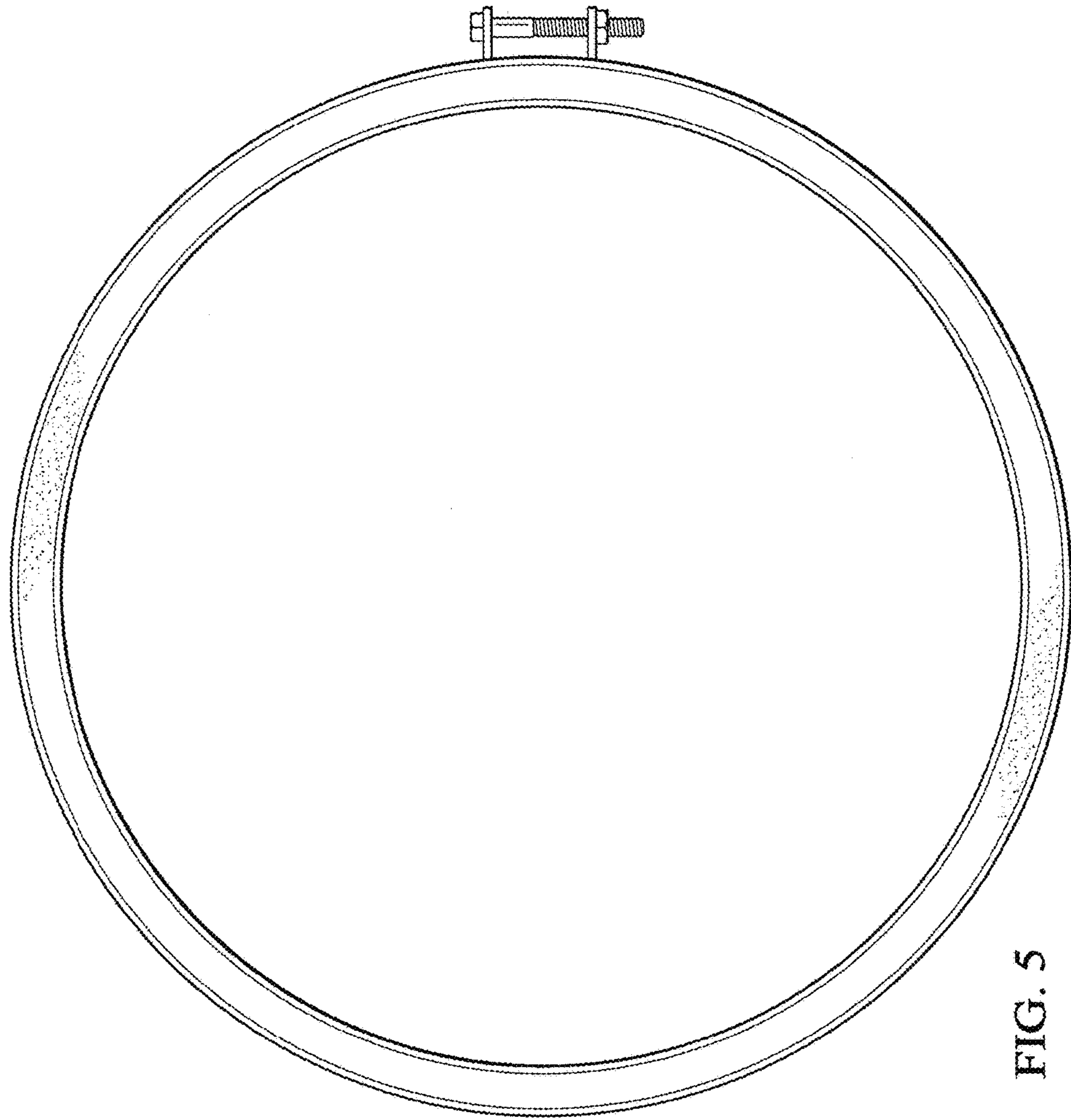


FIG. 5

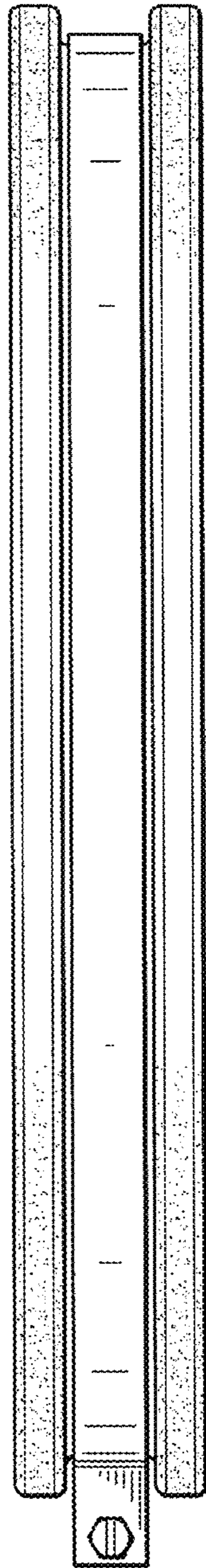


FIG. 6

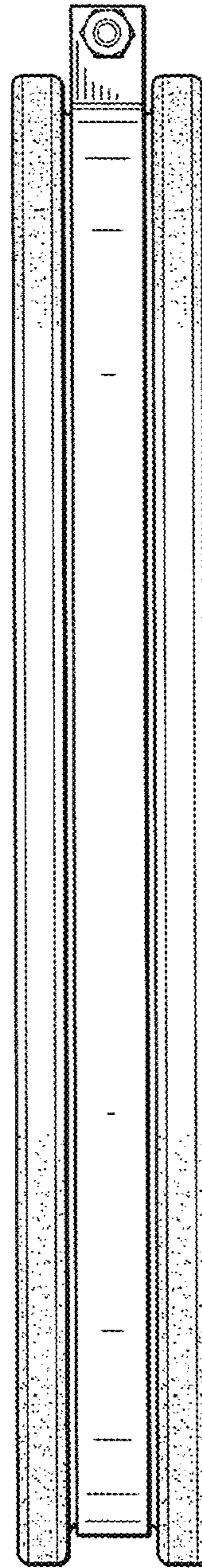


FIG. 7

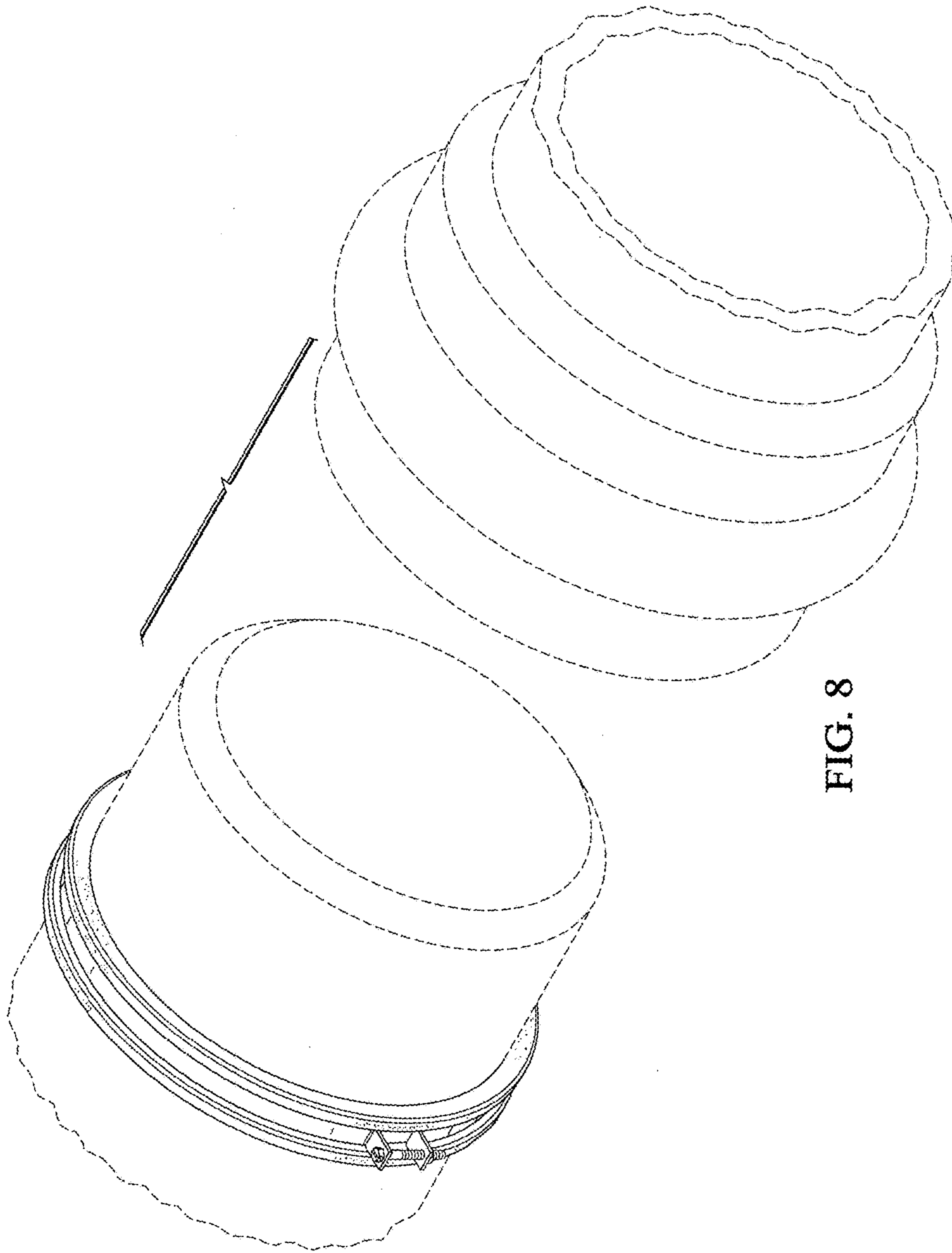


FIG. 8



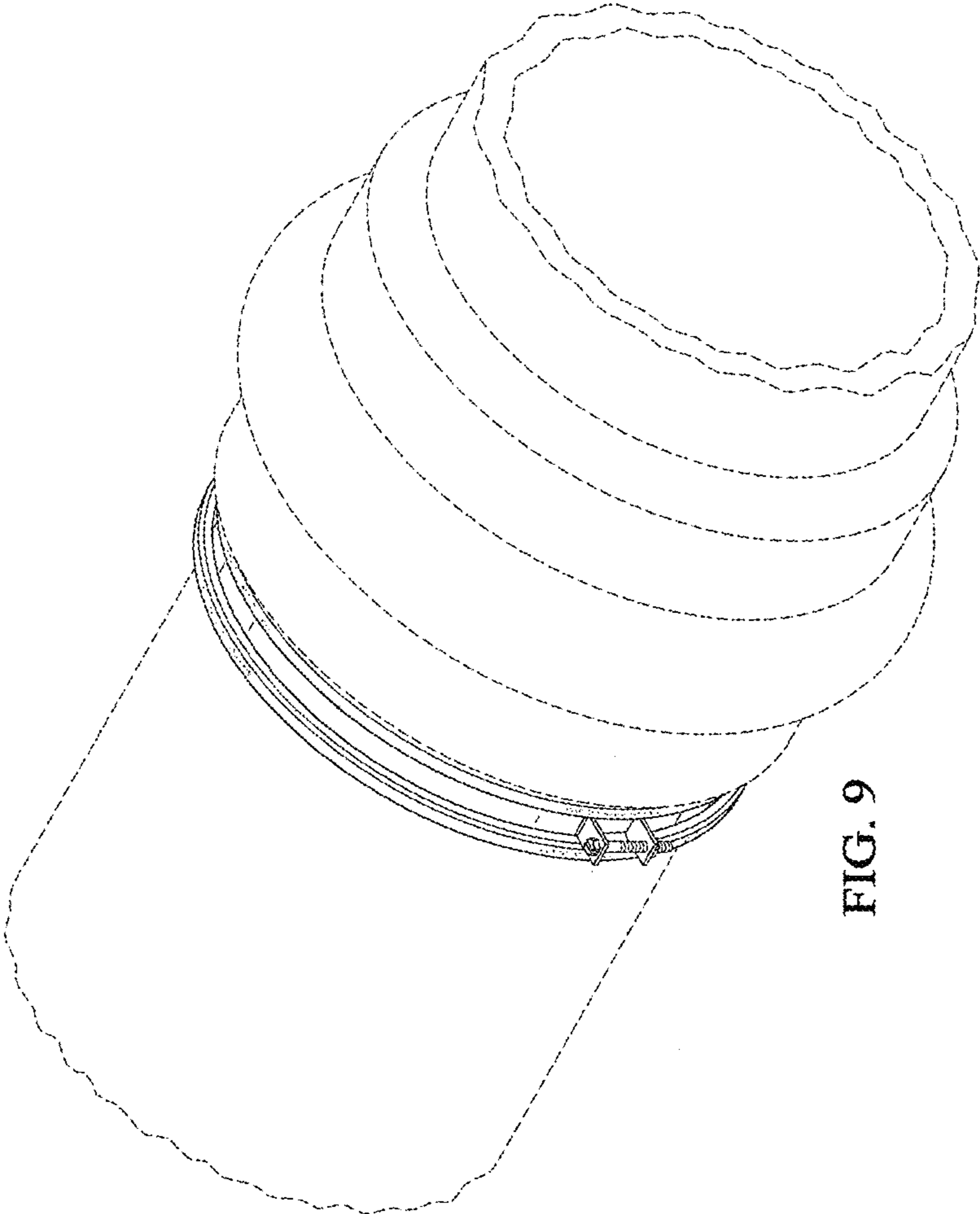


FIG. 9