



US00D787022S

(12) **United States Design Patent** (10) **Patent No.:** **US D787,022 S**
Lopez (45) **Date of Patent:** **** May 16, 2017**

(54) **LEVER HANDLE INLAID WITH SEMIPRECIOUS STONES OR GEMS ON TOP WITH BRASS BASE**

Y10T 16/86; Y10S 16/30; Y10S 292/31; Y10S 292/53; Y10S 16/12; Y10S 292/23; Y10S 292/27; Y10S 292/30; Y10S 292/63; E05B 85/16; E05B 1/0015; E05B 77/06; E05B 79/06; E05B 85/18; E05B 85/12; E05B 85/10; E05B 7/00; E05B 1/0053; E05B 77/265

(71) Applicant: **HELVEX, S.A. DE C.V.**, Del. Azcapotzalco, México, D.F. (MX)

See application file for complete search history.

(72) Inventor: **Arturo Villalobos Lopez**, Mexico (MX)

(56) **References Cited**

(73) Assignee: **HELVEX, S.A. DE C.V.**, Del. Azcapotzalco, México, D.F. (MX)

U.S. PATENT DOCUMENTS

(**) Term: **15 Years**

D150,771 S *	8/1948	Iskyan	D6/546
D512,895 S *	12/2005	Sato	D8/308
D521,353 S *	5/2006	Gilbert	D8/308
D608,124 S *	1/2010	Sedwick	D6/524
D630,083 S *	1/2011	Zhang	D8/308
D634,815 S *	3/2011	Barry	D23/252
D666,040 S *	8/2012	Sedwick	D6/524

(21) Appl. No.: **29/533,002**

(22) Filed: **Jul. 13, 2015**

(Continued)

(30) **Foreign Application Priority Data**

Mar. 12, 2015 (MX) 2015/000848

Primary Examiner — Derrick Holland

Assistant Examiner — Lauren Calve

(51) **LOC (10) Cl.** **23-01**

(74) *Attorney, Agent, or Firm* — patenttm.us

(52) **U.S. Cl.**

USPC **D23/254**; D8/301

(57) **CLAIM**

(58) **Field of Classification Search**

USPC D8/300–302, 307–309, 310, 311, D8/DIG. 10; D23/254, 255, 257; 292/336.3, 347; 74/523, 543; 70/192, 70/201, 206, 207; 16/110.1, 412, 416, 16/430, DIG. 30

The ornamental design for a lever handle inlaid with semi-precious stones or gems on top with brass base, as shown and described.

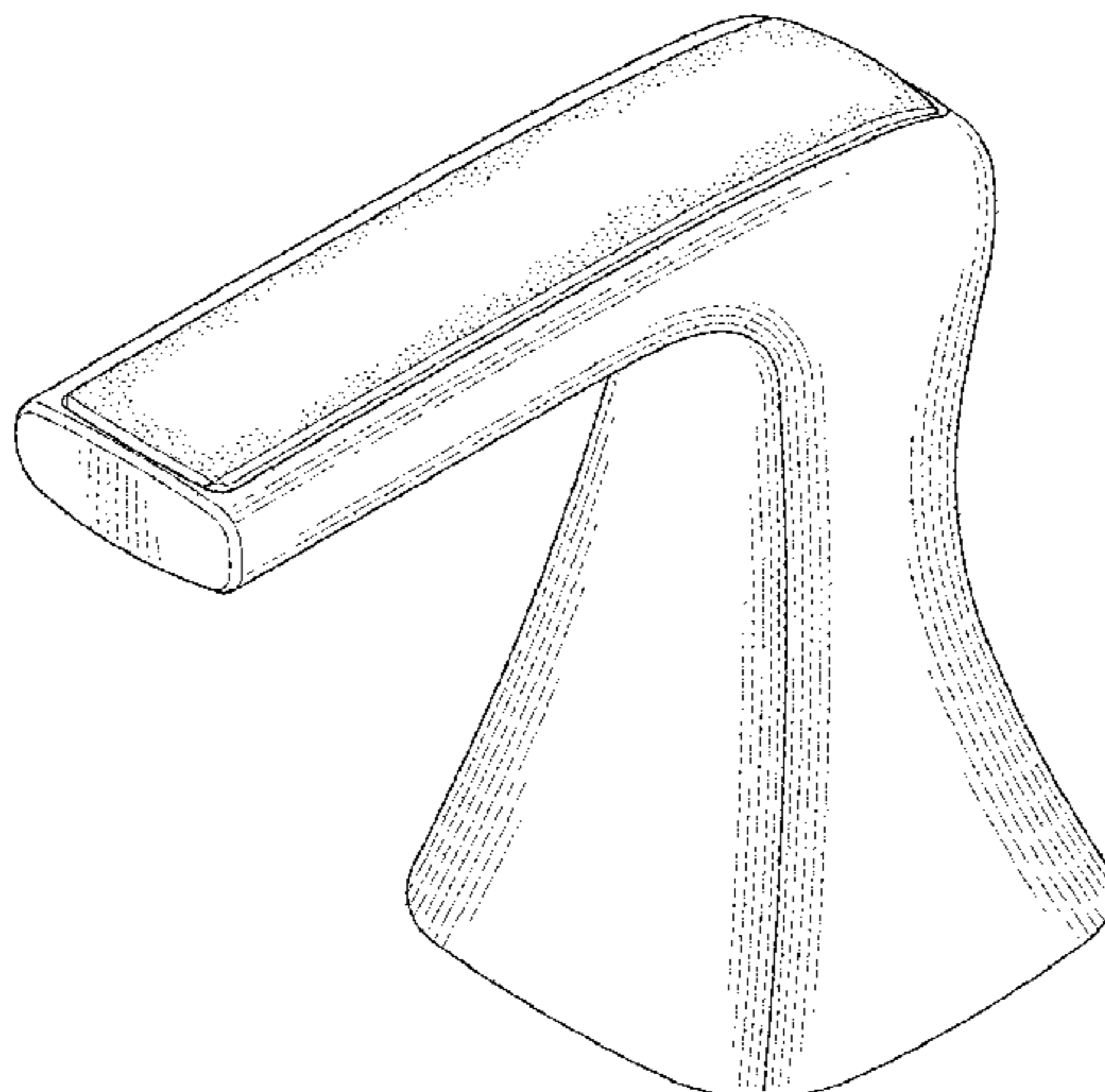
DESCRIPTION

CPC Y10T 16/44; Y10T 74/20612; Y10T 74/20732; Y10T 16/458; Y10T 16/498; Y10T 16/469; Y10T 16/476; Y10T 74/20744; Y10T 74/20864; Y10T 16/4628; Y10T 74/20642; Y10T 16/473; Y10T 74/20762; Y10T 74/2042; Y10T 74/20828; Y10T 16/459; Y10T 16/4713; Y10T 74/2014; Y10T 16/50; Y10T 74/20438; Y10T 74/20582; Y10T 74/20738; Y10T 16/48; Y10T 74/20618; Y10T 74/20684; Y10T 74/20624; Y10T 74/20468; Y10T 16/61; Y10T 16/4719;

FIG. 1 is a perspective view of a lever handle inlaid with semi-precious stones or gems on top with brass base, showing my new design;
 FIG. 2 is a right side view thereof;
 FIG. 3 is a top view thereof;
 FIG. 4 is a bottom view thereof;
 FIG. 5 is a rear view thereof; and,
 FIG. 6 is left side view thereof.

The broken lines shown represent unclaimed subject matter and form no part of the claimed design.

1 Claim, 6 Drawing Sheets



(56)

References Cited

U.S. PATENT DOCUMENTS

D685,882 S *	7/2013	Garland	D23/252
D687,130 S *	7/2013	Garland	D23/252
D687,523 S *	8/2013	Garland	D23/257
D692,109 S *	10/2013	Garland	D23/255
D706,905 S *	6/2014	Flowers	D23/252
D735,562 S *	8/2015	Cahill	D8/363
D743,507 S *	11/2015	Georgeson	D23/252
2014/0197343 A1 *	7/2014	Horsman	F16K 31/602 251/304

* cited by examiner

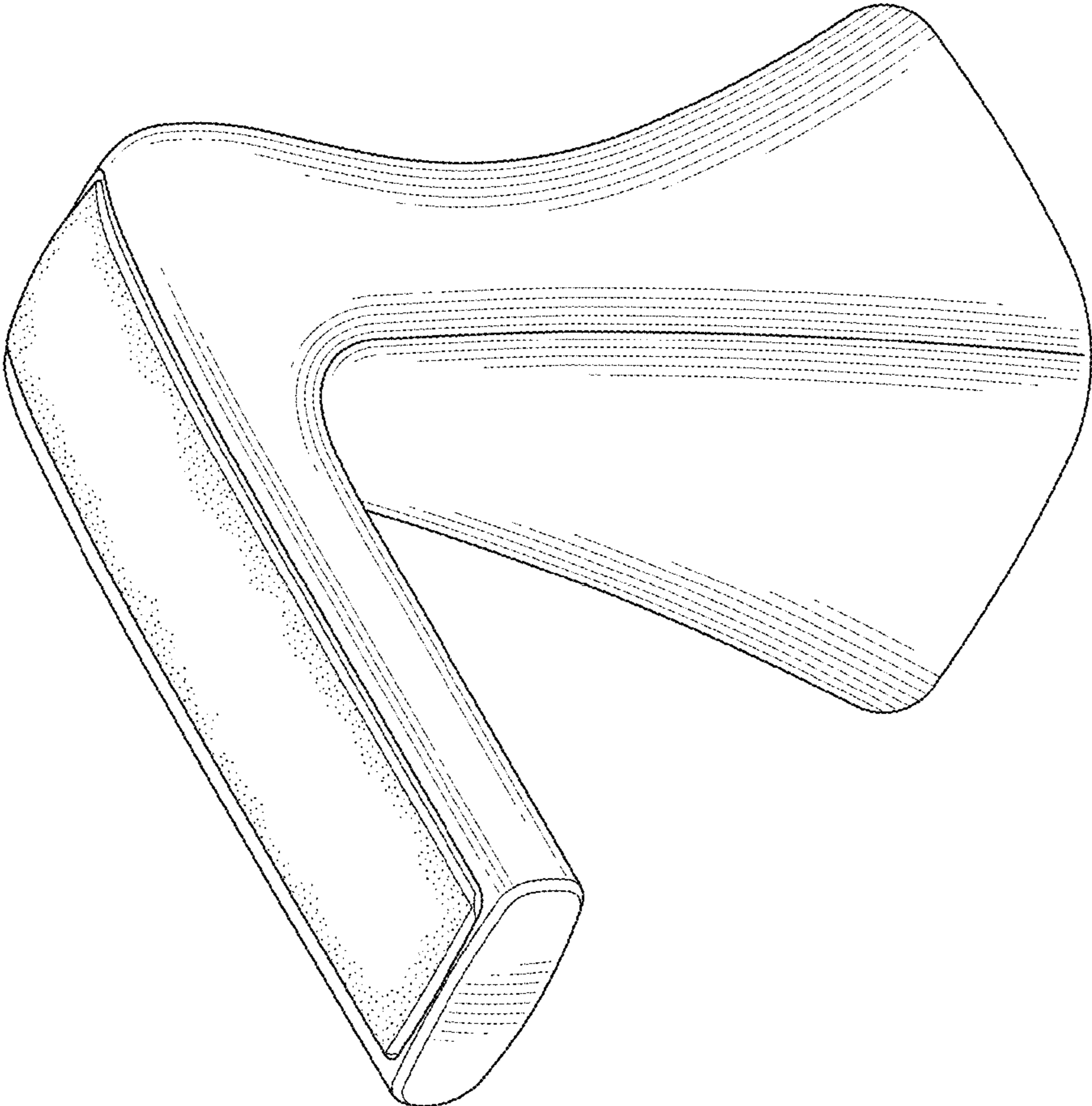


FIG. 1

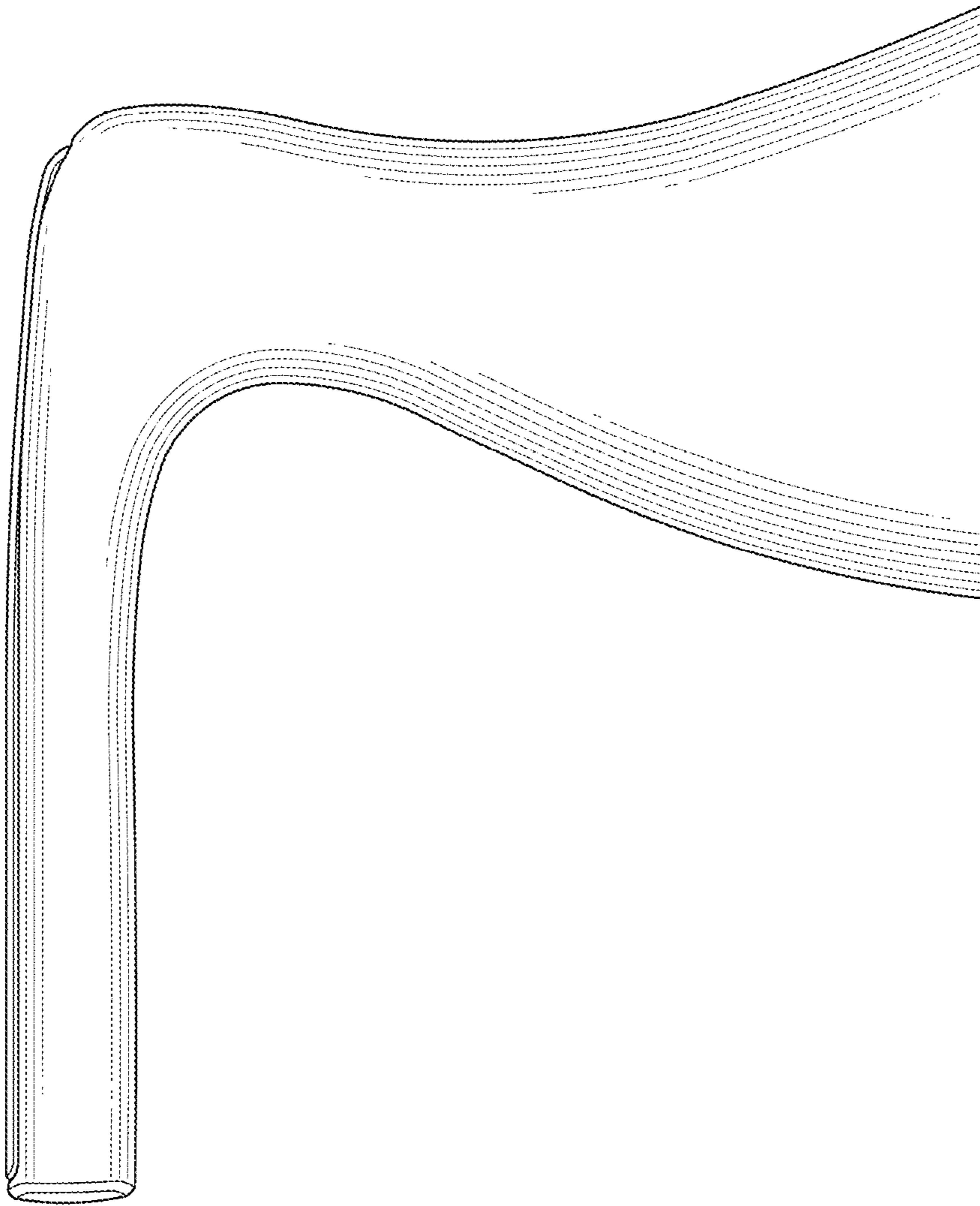


FIG. 2

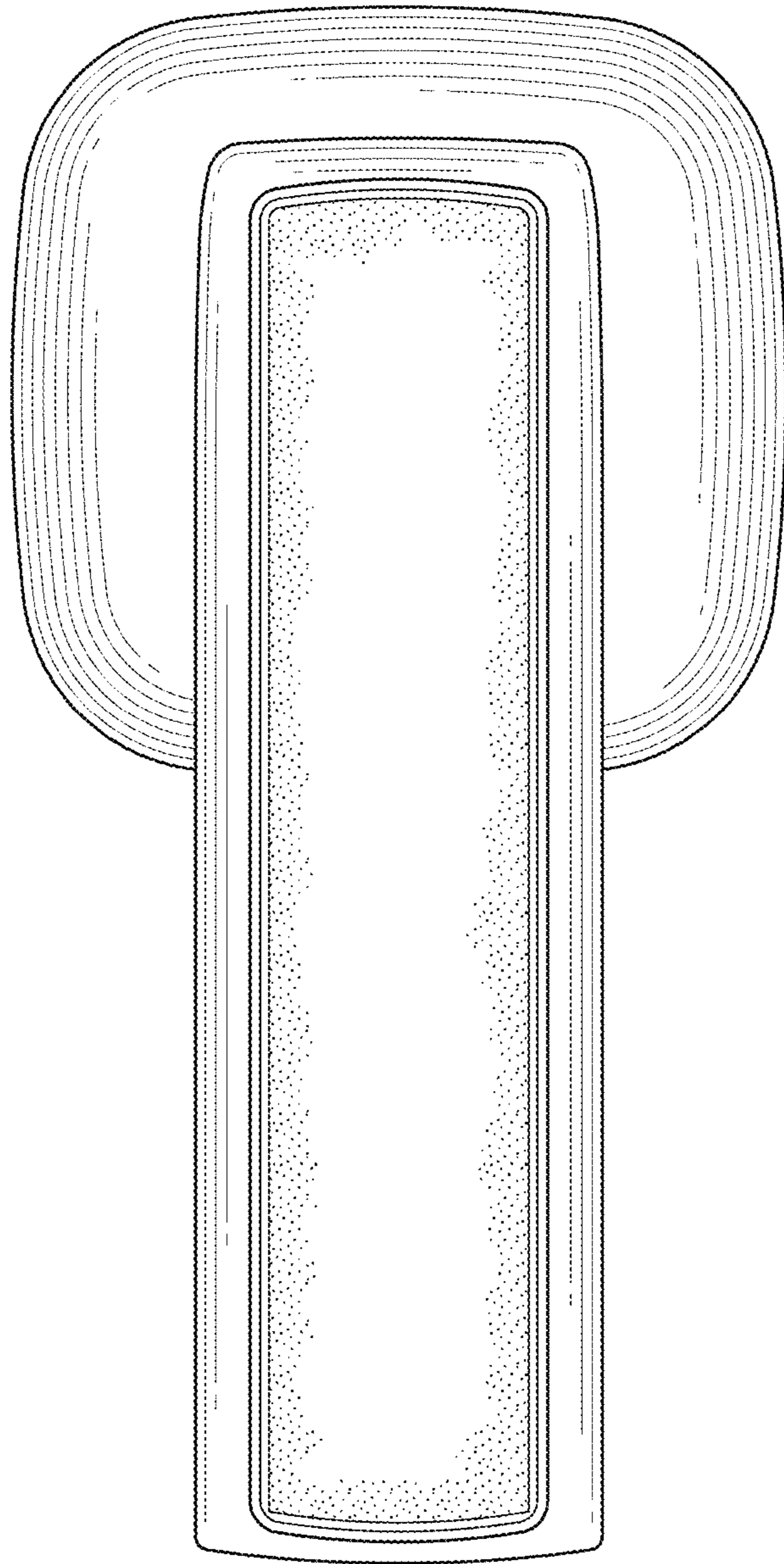


FIG. 3

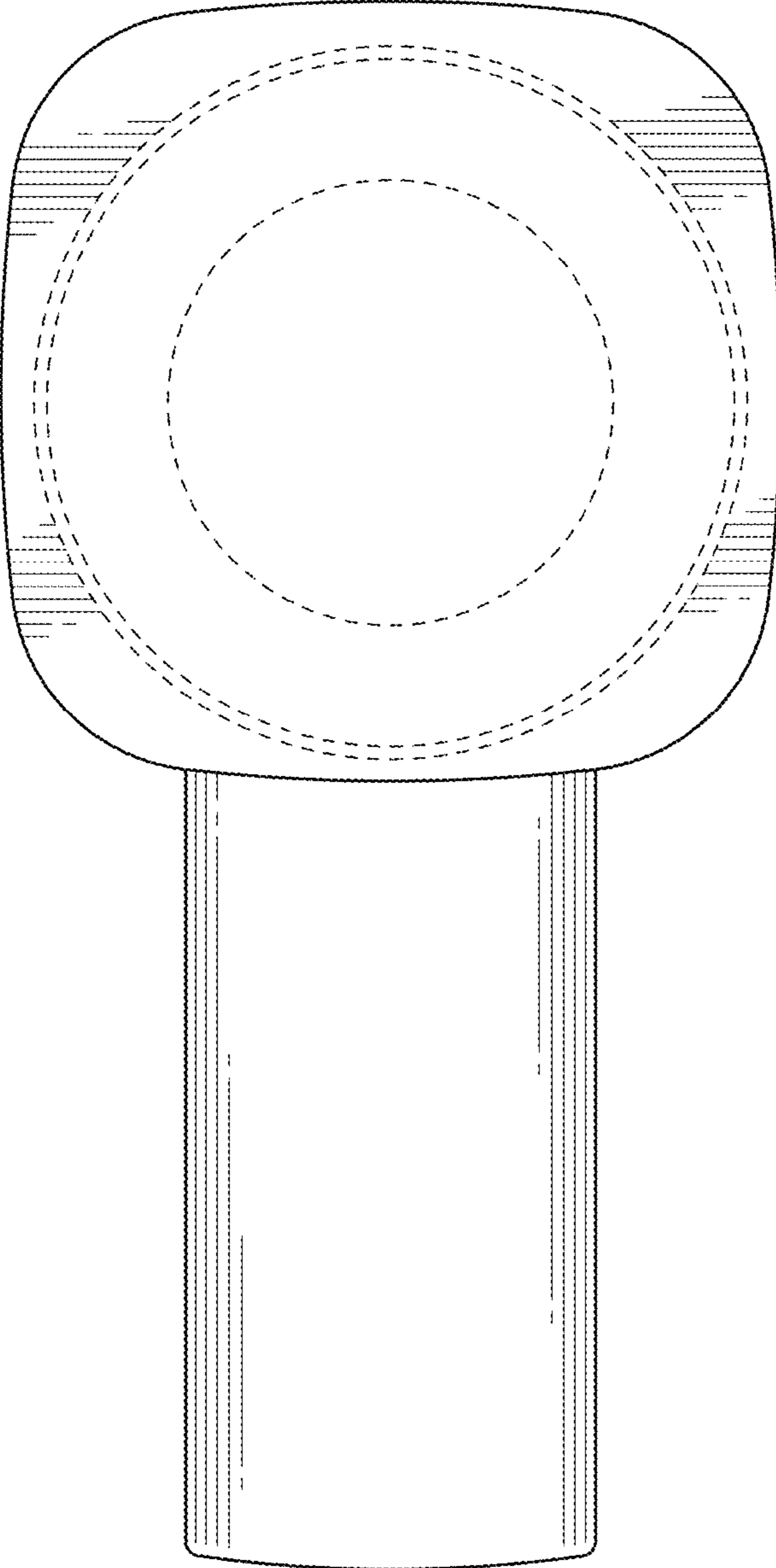


FIG. 4

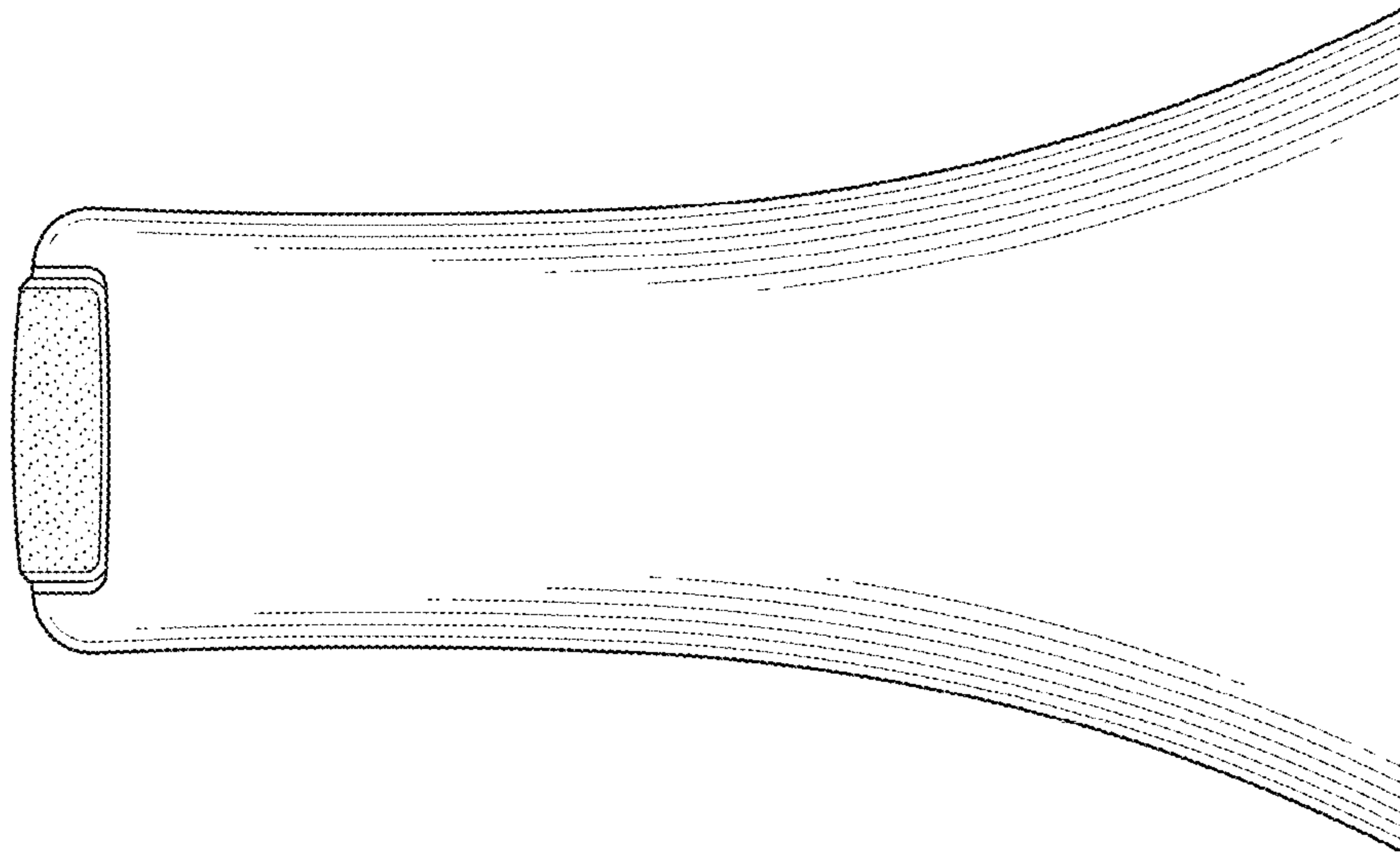


FIG. 5

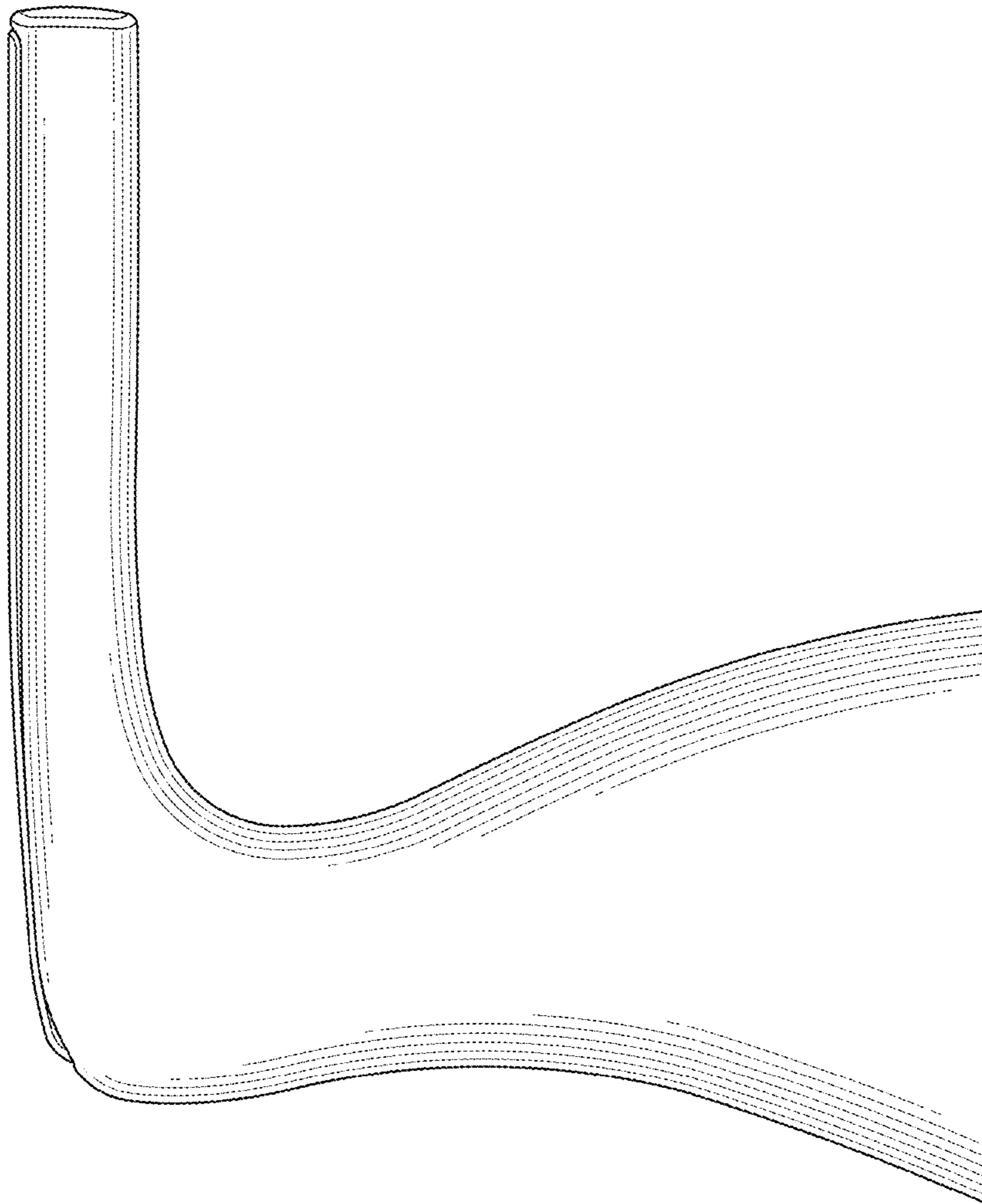


FIG. 6