



US00D787021S

(12) **United States Design Patent** (10) **Patent No.:** **US D787,021 S**  
**Lopez** (45) **Date of Patent:** **\*\* May 16, 2017**

(54) **LEVER HANDLE INLAID WITH SEMIPRECIOUS STONES OR GEMS ON TOP WITH BRASS BASE**

77/06; E05B 79/06; E05B 85/18; E05B 85/12; E05B 85/10; E05B 7/00; E05B 1/0053; E05B 77/265

See application file for complete search history.

(71) Applicant: **HELVEX, S.A. DE C.V.**, Del Azcapotzalco, México, D.F. (MX)

(56) **References Cited**

(72) Inventor: **Arturo Villalobos Lopez**, Mexico (MX)

U.S. PATENT DOCUMENTS

(73) Assignee: **HELVEX, S.A. DE C.V.**, Del Azcapotzalco, México, D.F. (MX)

D321,822 S *	11/1991	Pechar	.....	D8/301
D602,123 S *	10/2009	Sieger	.....	D23/242
D631,137 S *	1/2011	Ke	.....	D23/252
D645,331 S *	9/2011	Lin	.....	D8/301
D659,803 S *	5/2012	Flowers	.....	D23/255
D664,240 S *	7/2012	Tang	.....	D23/238
D665,880 S *	8/2012	Flowers	.....	D23/252
D665,883 S *	8/2012	Flowers	.....	D23/254
8,573,257 B2 *	11/2013	Lin	.....	E03C 1/0404 137/603

(\*\*) Term: **15 Years**

(21) Appl. No.: **29/532,956**

(22) Filed: **Jul. 13, 2015**

(Continued)

(51) **LOC (10) Cl.** ..... **23-01**

(52) **U.S. Cl.**  
USPC ..... **D23/254**; D8/301

*Primary Examiner* — Derrick Holland

*Assistant Examiner* — Lauren Calve

(74) *Attorney, Agent, or Firm* — patenttm.us

(58) **Field of Classification Search**

USPC ..... D8/300–302, 307–309, 310, 311, D8/DIG. 10; D23/254, 255, 257; 292/336.3, 347; 74/523, 543; 70/192, 70/201, 206, 207; 16/110.1, 412, 416, 16/430, DIG. 30

(57) **CLAIM**

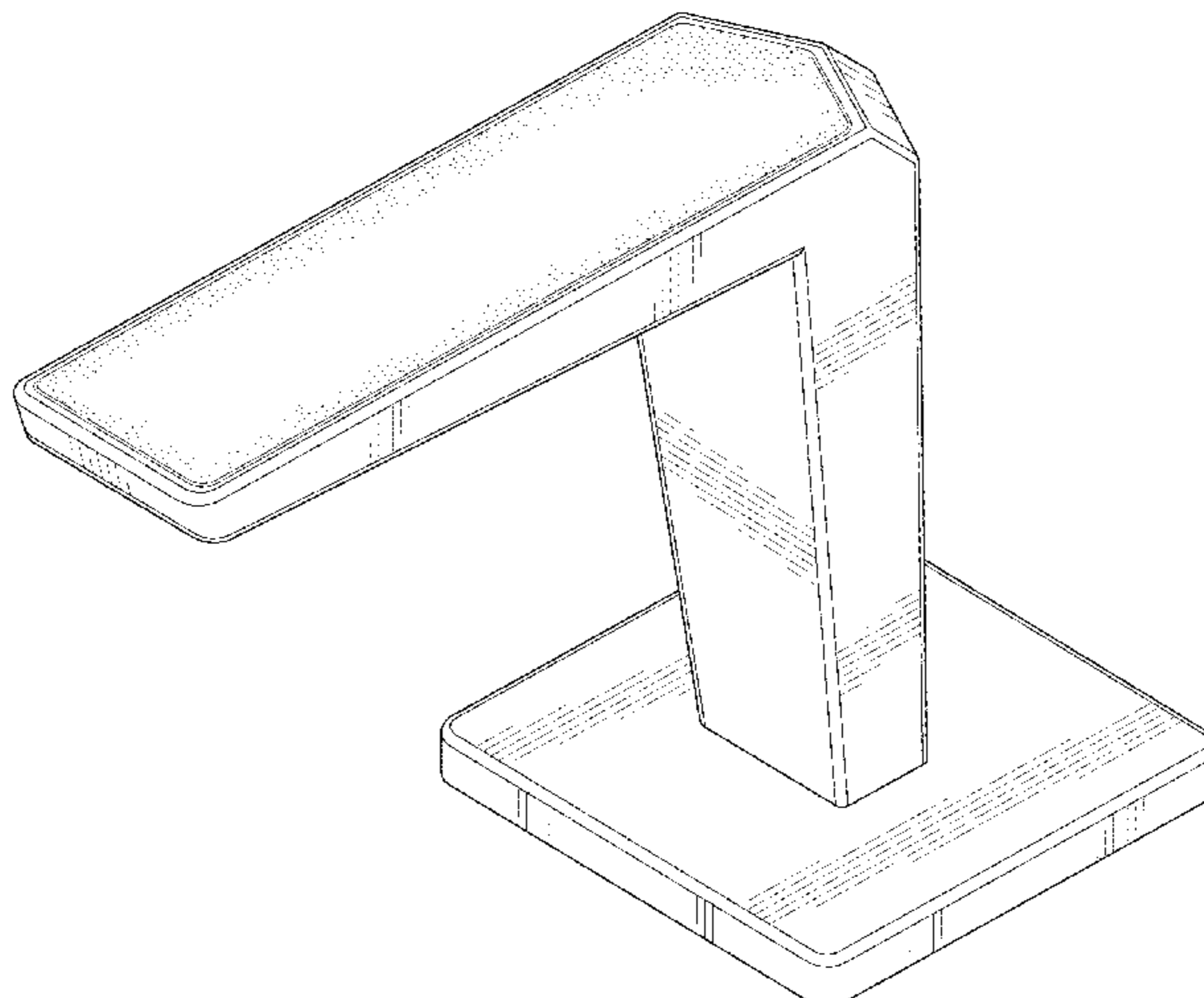
The ornamental design for a lever handle inlaid with semiprecious stones or gems on top with brass base, as shown and described.

CPC ..... Y10T 16/44; Y10T 74/20612; Y10T 74/20732; Y10T 16/458; Y10T 16/498; Y10T 16/469; Y10T 16/476; Y10T 74/20744; Y10T 74/20864; Y10T 16/4628; Y10T 74/20642; Y10T 16/473; Y10T 74/20762; Y10T 74/2042; Y10T 74/20828; Y10T 16/459; Y10T 16/4713; Y10T 74/2014; Y10T 16/50; Y10T 74/20438; Y10T 74/20582; Y10T 74/20738; Y10T 16/48; Y10T 74/20618; Y10T 74/20684; Y10T 74/20624; Y10T 74/20468; Y10T 16/61; Y10T 16/4719; Y10T 16/86; Y10S 16/30; Y10S 292/31; Y10S 292/53; Y10S 16/12; Y10S 292/23; Y10S 292/27; Y10S 292/30; Y10S 292/63; E05B 85/16; E05B 1/0015; E05B

**DESCRIPTION**

FIG. 1 is a perspective view of a lever handle inlaid with semiprecious stones or gems on top with brass base, showing my new design;  
 FIG. 2 is a front view thereof;  
 FIG. 3 is a top view thereof;  
 FIG. 4 is a bottom view thereof;  
 FIG. 5 is a right side view thereof, the left side view being a mirror image thereof; and,  
 FIG. 6 is rear view thereof.  
 The broken lines shown represent unclaimed subject matter and form no part of the claimed design.

**1 Claim, 6 Drawing Sheets**



(56)

**References Cited**

U.S. PATENT DOCUMENTS

2014/0197343 A1\* 7/2014 Horsman ..... F16K 31/602  
251/304

\* cited by examiner

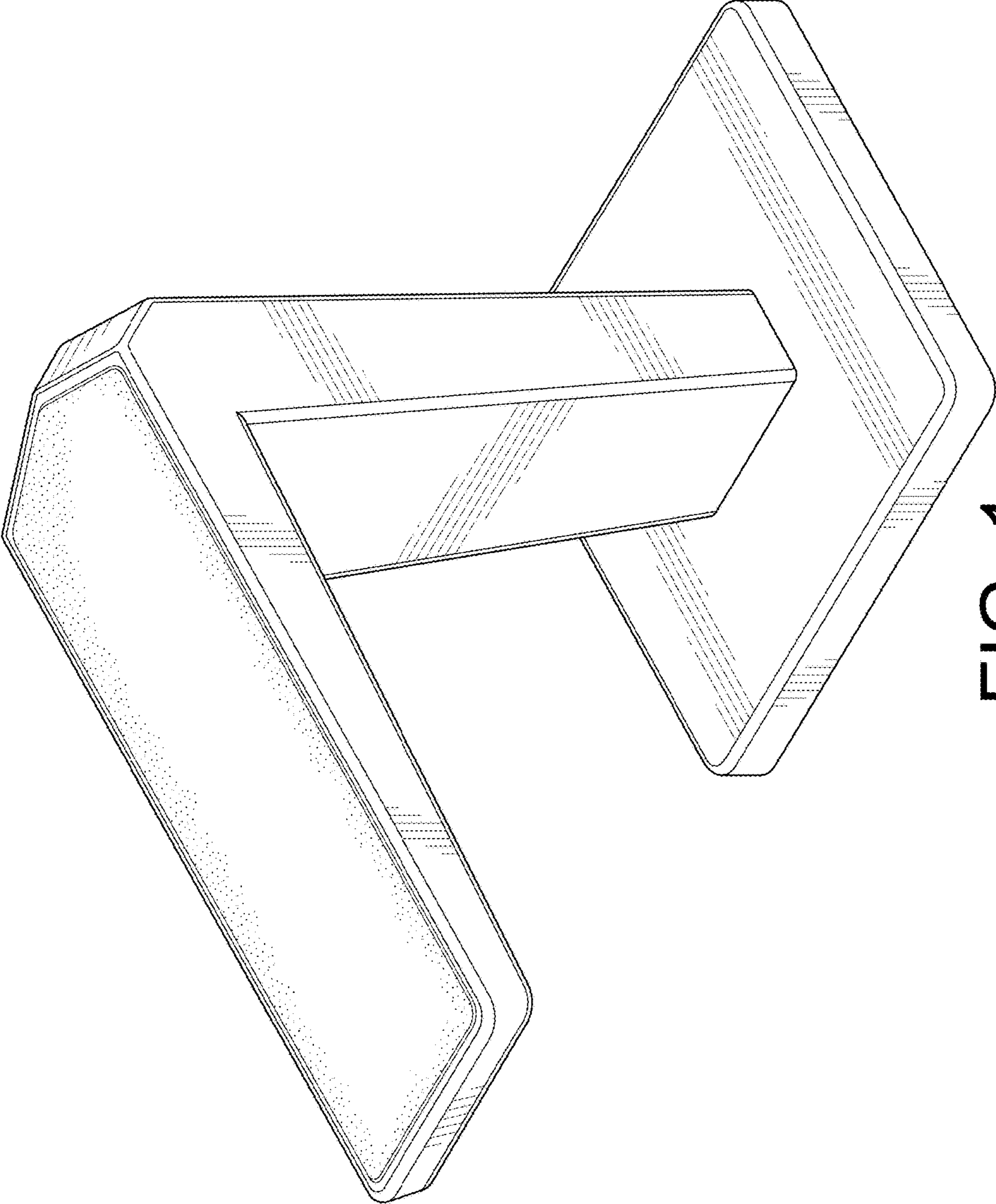


FIG. 1

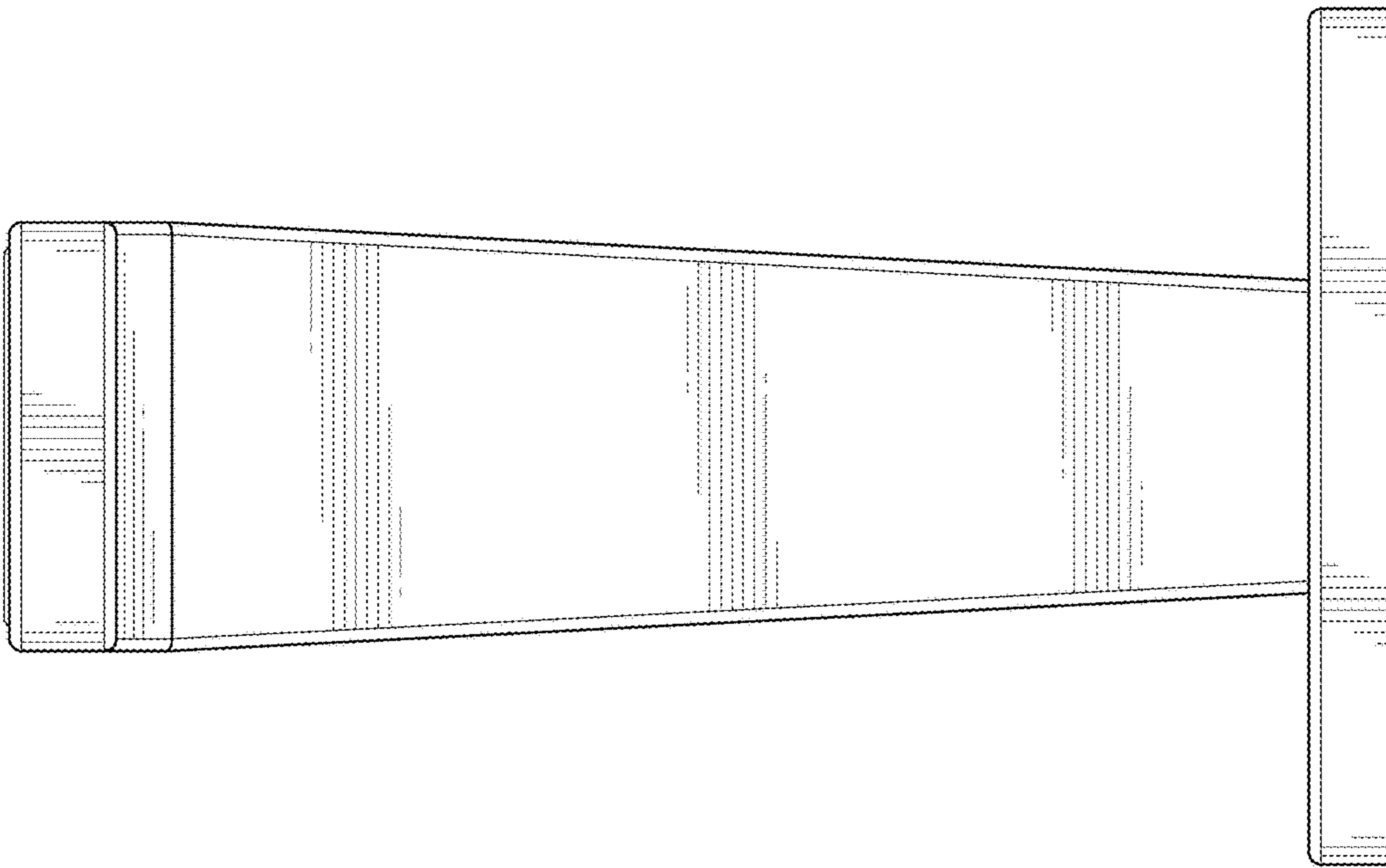


FIG. 2

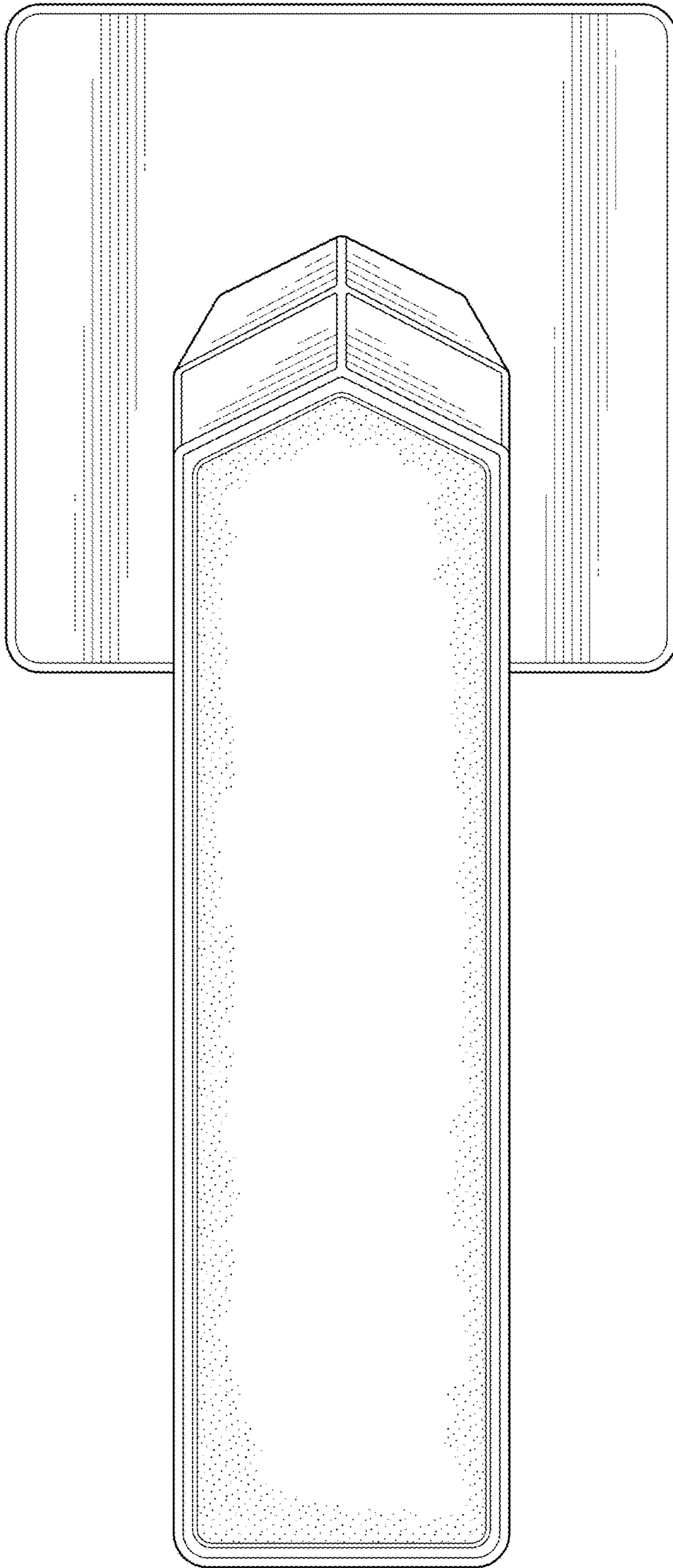


FIG. 3

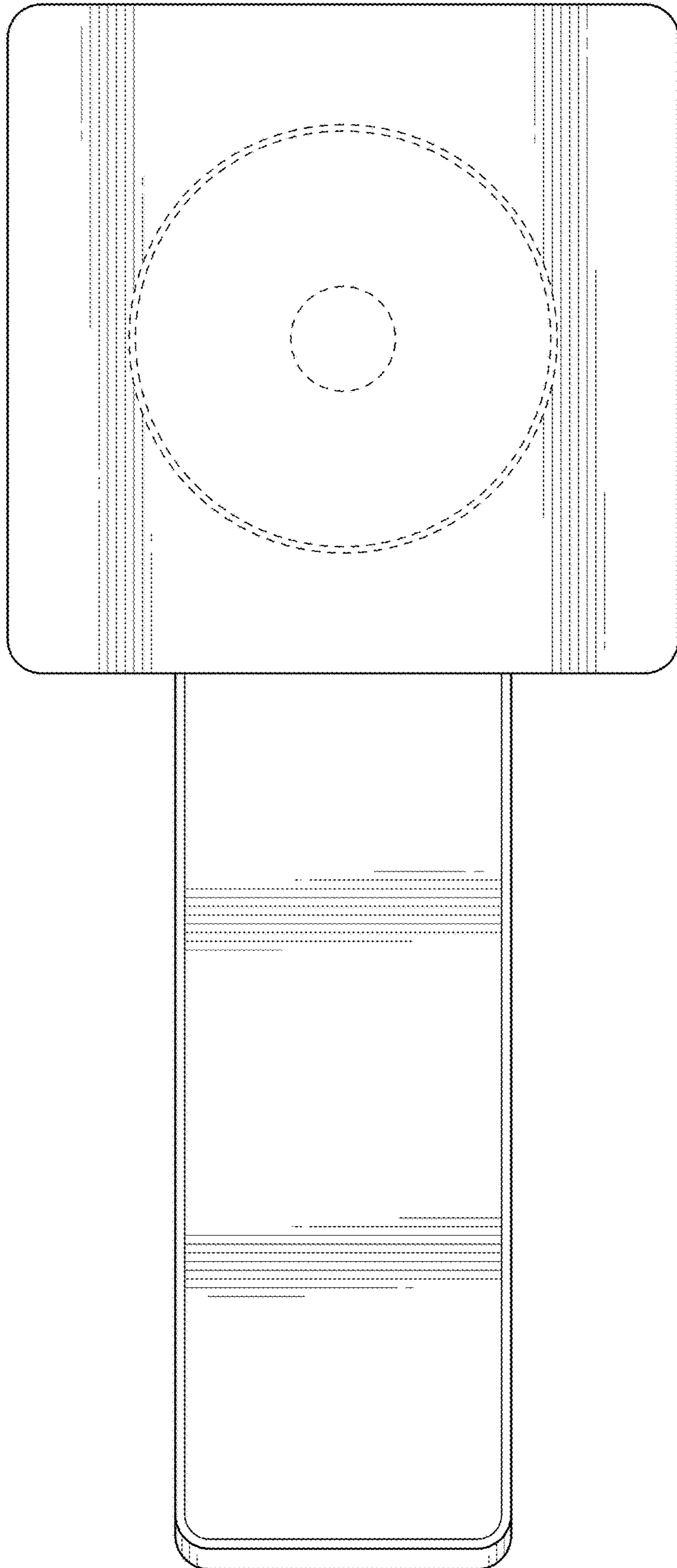


FIG. 4

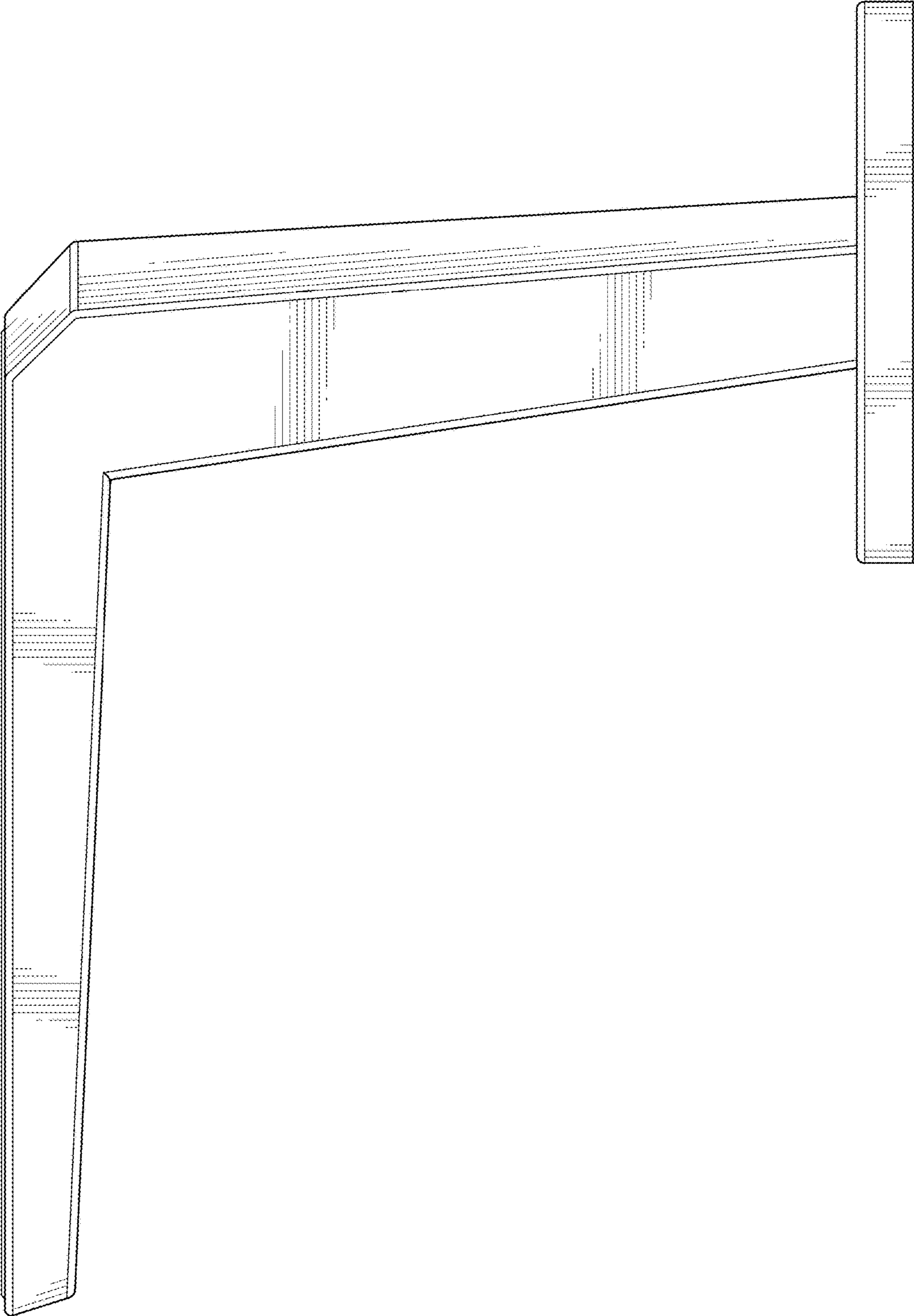


FIG. 5

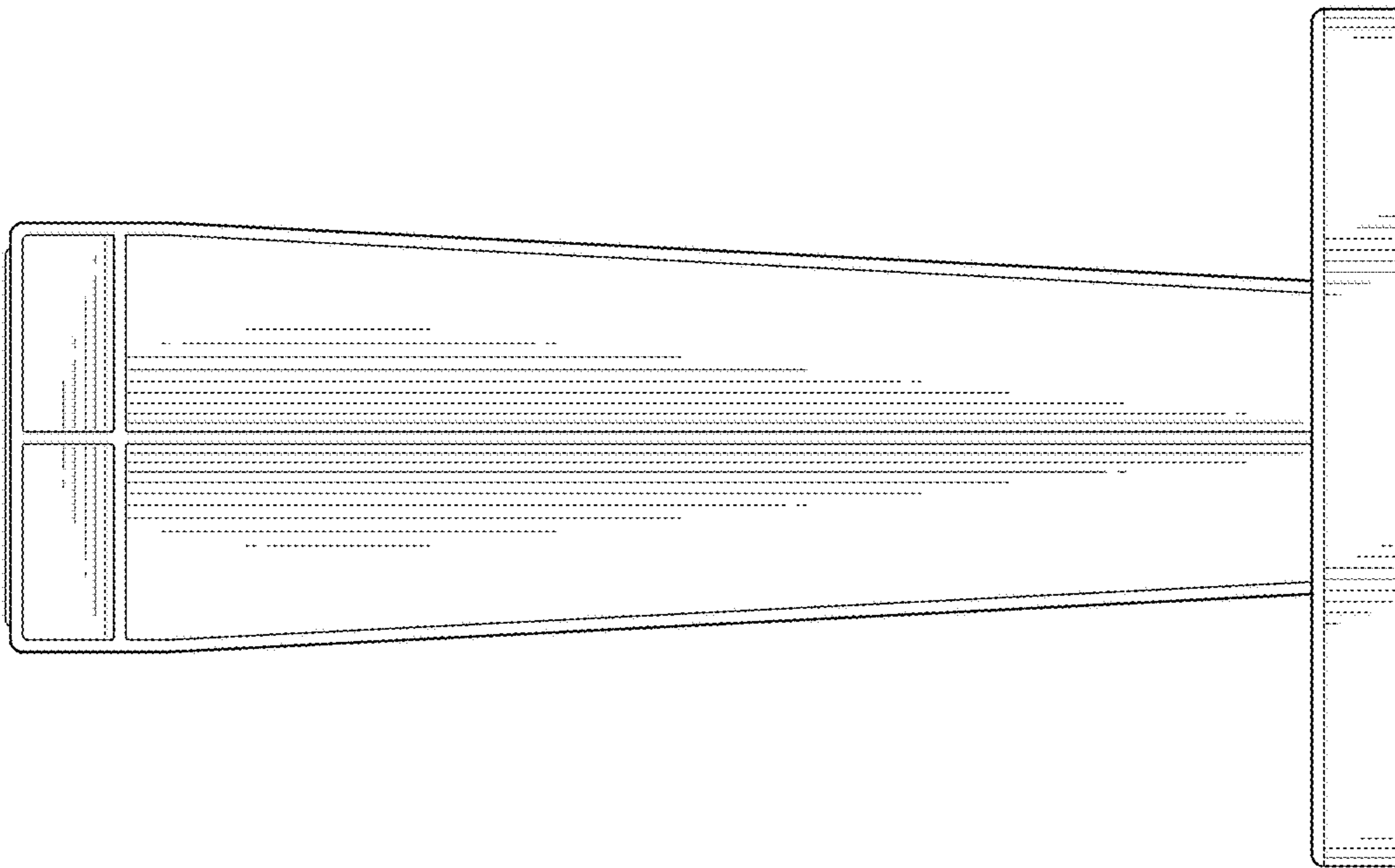


FIG. 6