



US00D787020S

(12) **United States Design Patent** (10) **Patent No.:** **US D787,020 S**  
**Ziemann et al.** (45) **Date of Patent:** **\*\* May 16, 2017**

(54) **MIXING TAP**

(71) Applicant: **BLANCO GmbH + Co KG**,  
Oberderdingen (DE)

(72) Inventors: **Brigitte Ziemann**, Eppingen (DE);  
**Thomas Funke**, Eppingen (DE)

(73) Assignee: **BLANCO GmbH + Co KG**,  
Oberderdingen (DE)

(\*\*) Term: **15 Years**

(21) Appl. No.: **29/553,100**

(22) Filed: **Jan. 28, 2016**

(30) **Foreign Application Priority Data**

Aug. 6, 2015 (EM) ..... 002750307-0001

(51) **LOC (10) Cl.** ..... **23-01**

(52) **U.S. Cl.**  
USPC ..... **D23/238**

(58) **Field of Classification Search**  
USPC ..... D23/238, 249-250, 252, 254;  
D8/307-308, 310  
CPC . E03C 1/00; E03C 1/0404; E03C 1/02; E03C  
1/021; E03C 2001/0411; E03C  
2001/0415; E03C 2001/0417; Y10T  
137/9464; B05B 15/065; A47L 17/00  
See application file for complete search history.

(56) **References Cited**

U.S. PATENT DOCUMENTS

D531,698 S \* 11/2006 Wood ..... D23/238  
D612,015 S \* 3/2010 Lammel ..... D23/238  
D645,120 S \* 9/2011 Lammel ..... D23/238  
D697,588 S \* 1/2014 Schoenherr ..... D23/238  
8,789,771 B2 \* 7/2014 Esche ..... E03C 1/0404  
137/801

\* cited by examiner

*Primary Examiner* — Robert Delehanty

(74) *Attorney, Agent, or Firm* — Hanley, Flight &  
Zimmerman, LLC.

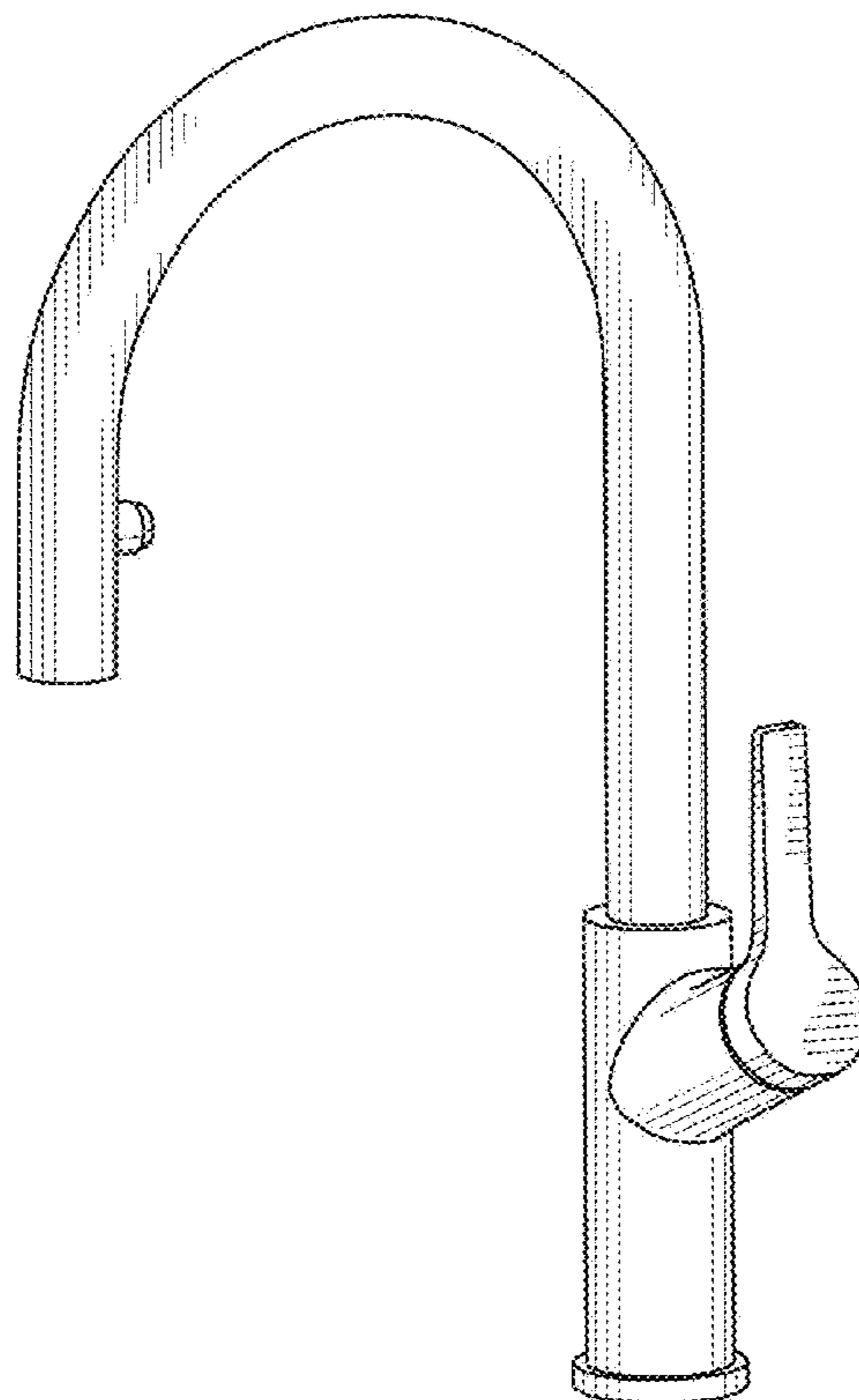
(57) **CLAIM**

The ornamental design for a “mixing tap,” as shown and  
described.

**DESCRIPTION**

FIG. 1 is a perspective view of a mixing tap.  
FIG. 2 is a top plan view of the mixing tap of FIG. 1.  
FIG. 3 is a bottom view of the mixing tap of FIG. 1.  
FIG. 4 is a front view of the mixing tap of FIG. 1.  
FIG. 5 is a rear view of the mixing tap of FIG. 1.  
FIG. 6 is a left side view of the mixing tap of FIG. 1; and,  
FIG. 7 is a right side view of the mixing tap of FIG. 1.

**1 Claim, 7 Drawing Sheets**



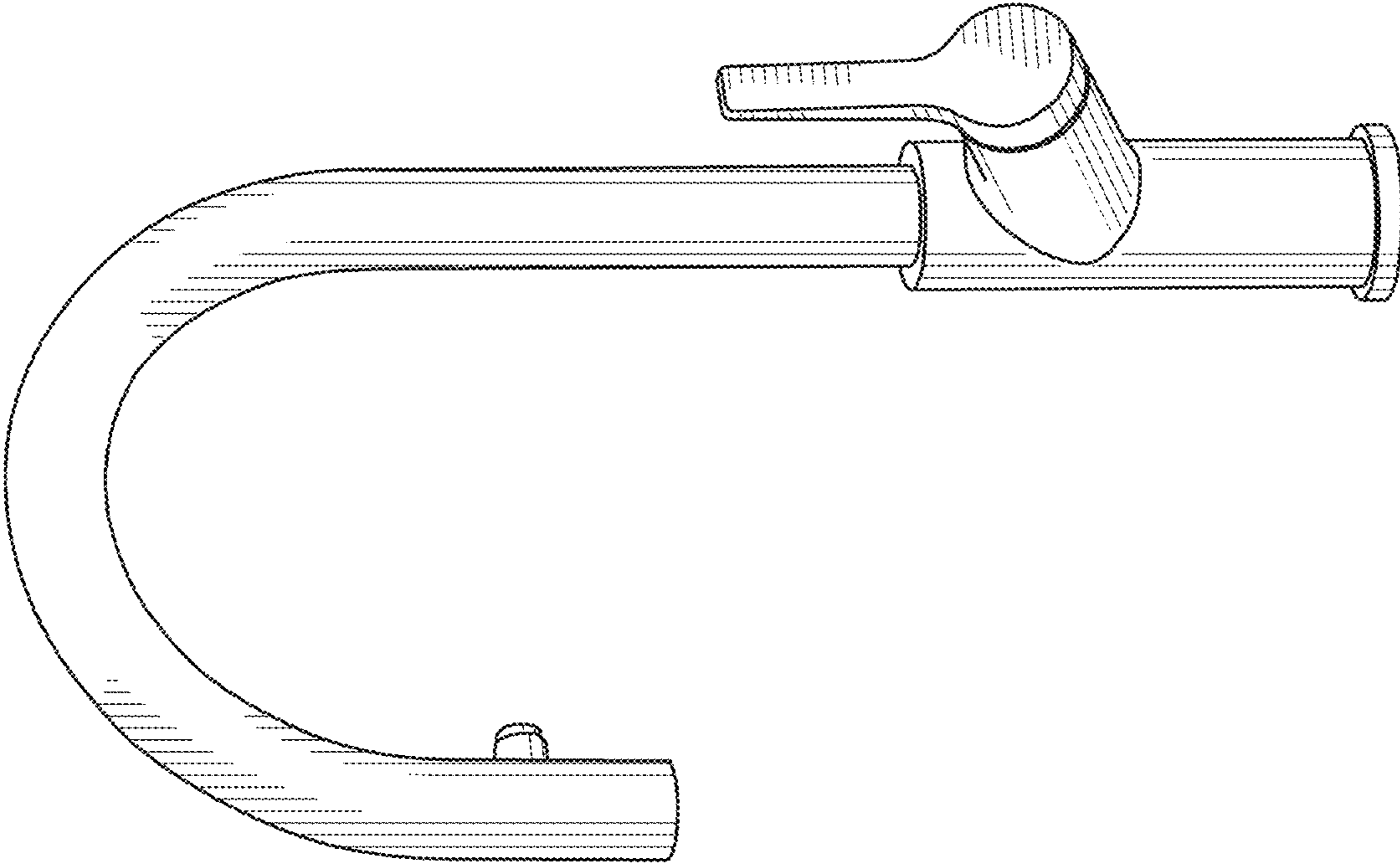


FIG. 1

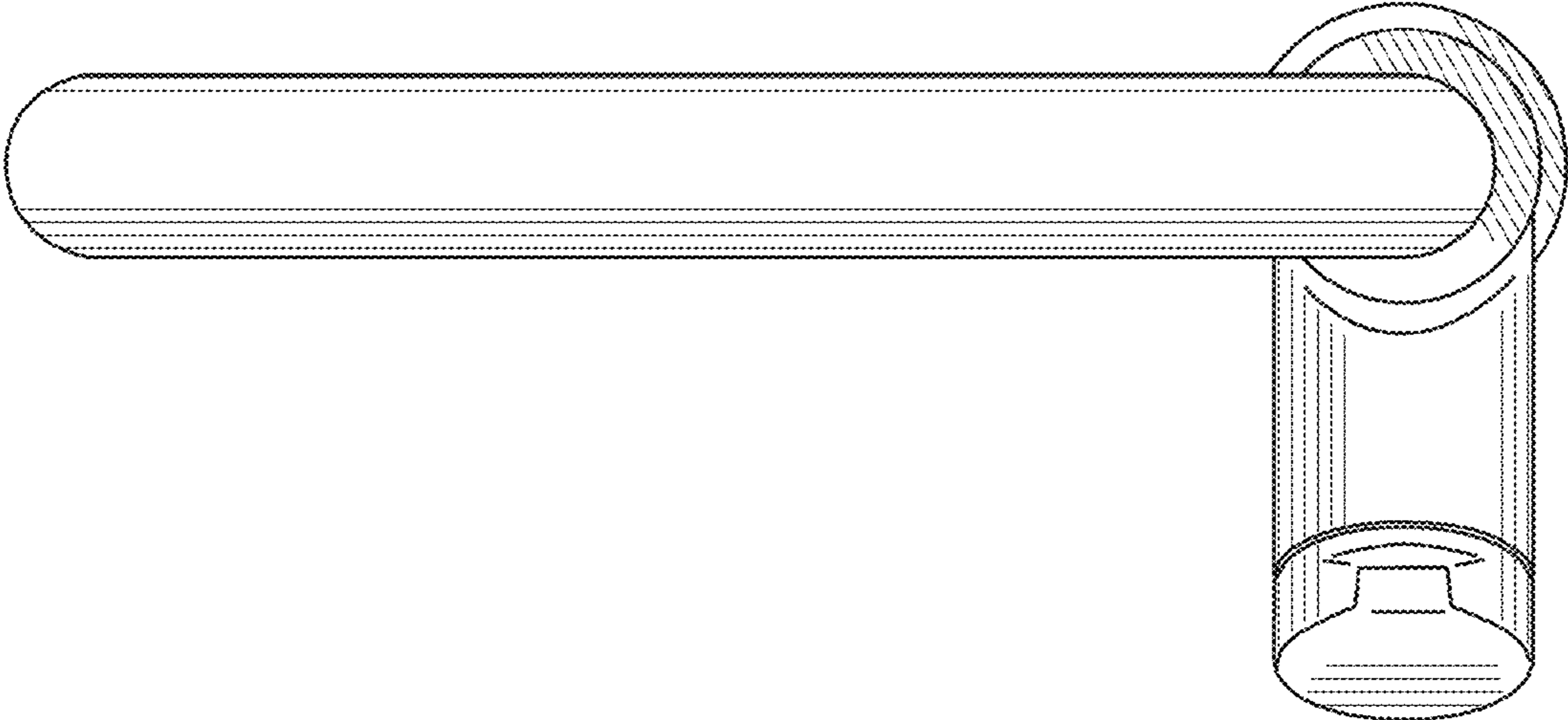


FIG. 2

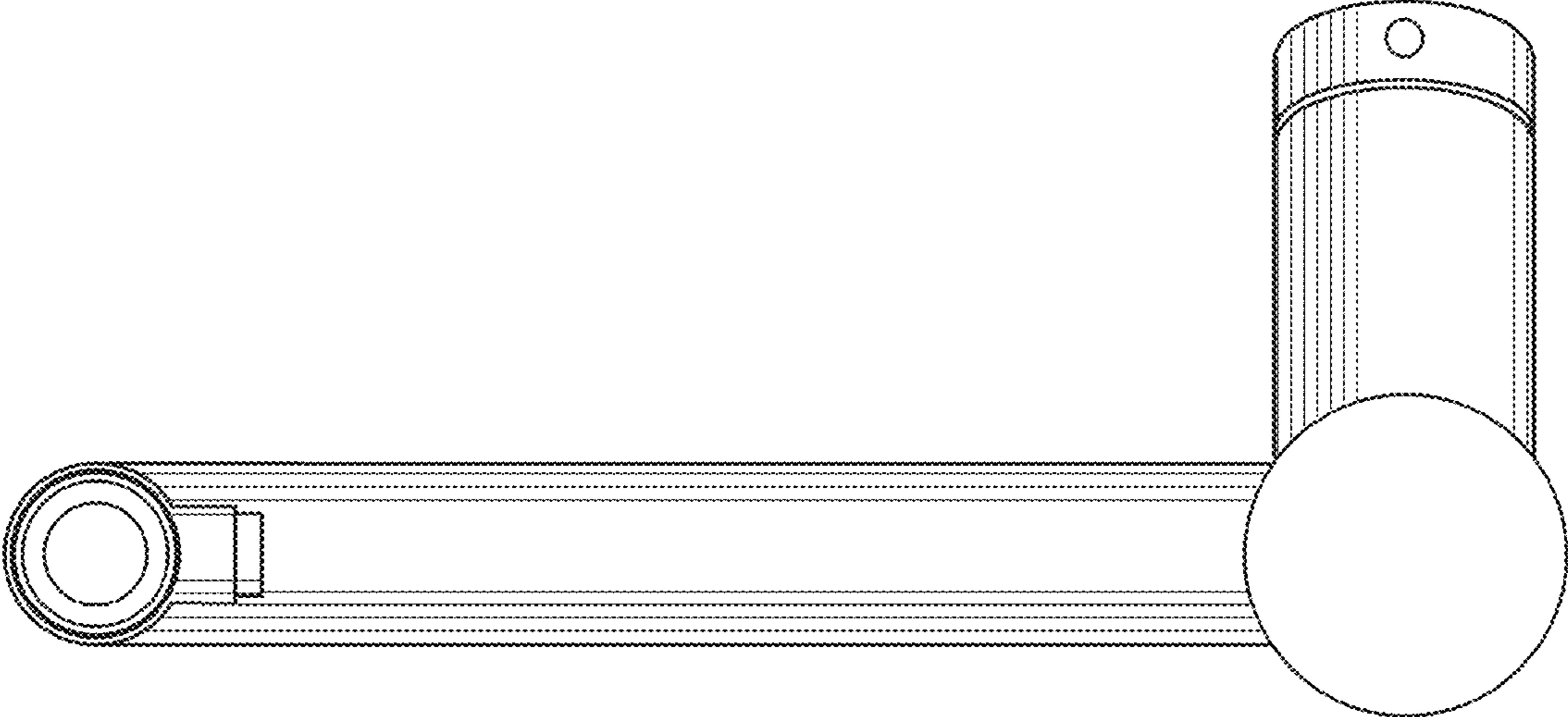


FIG. 3

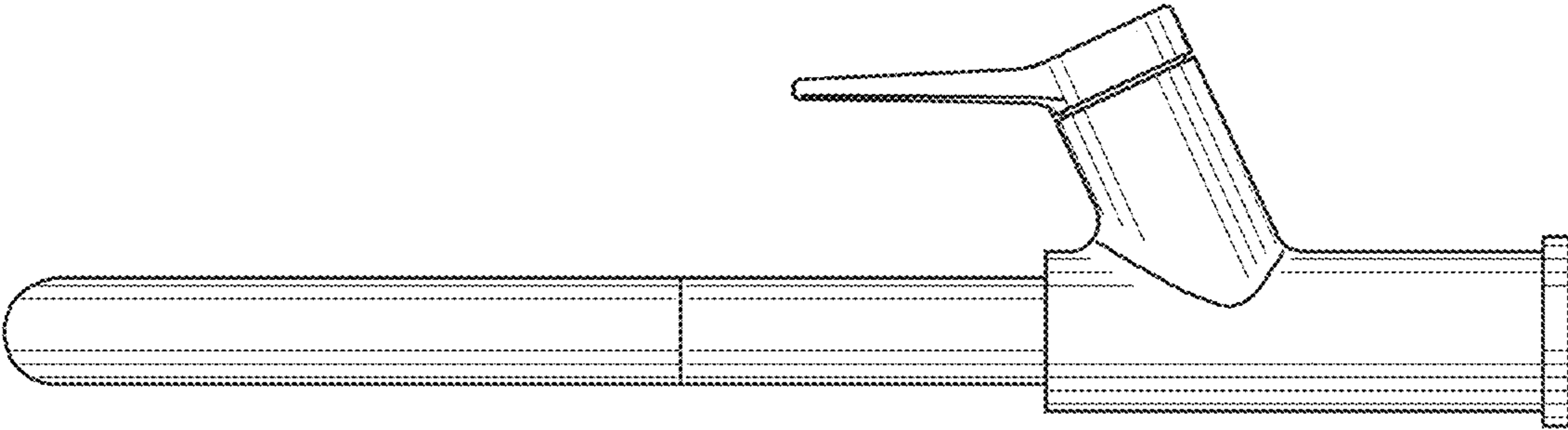


FIG. 4

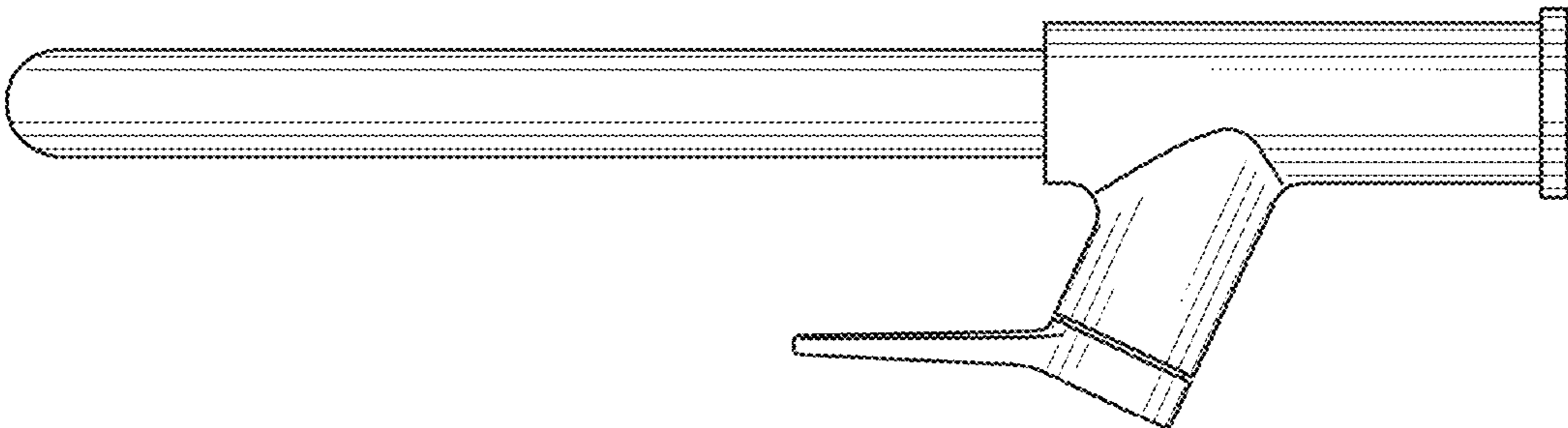


FIG. 5

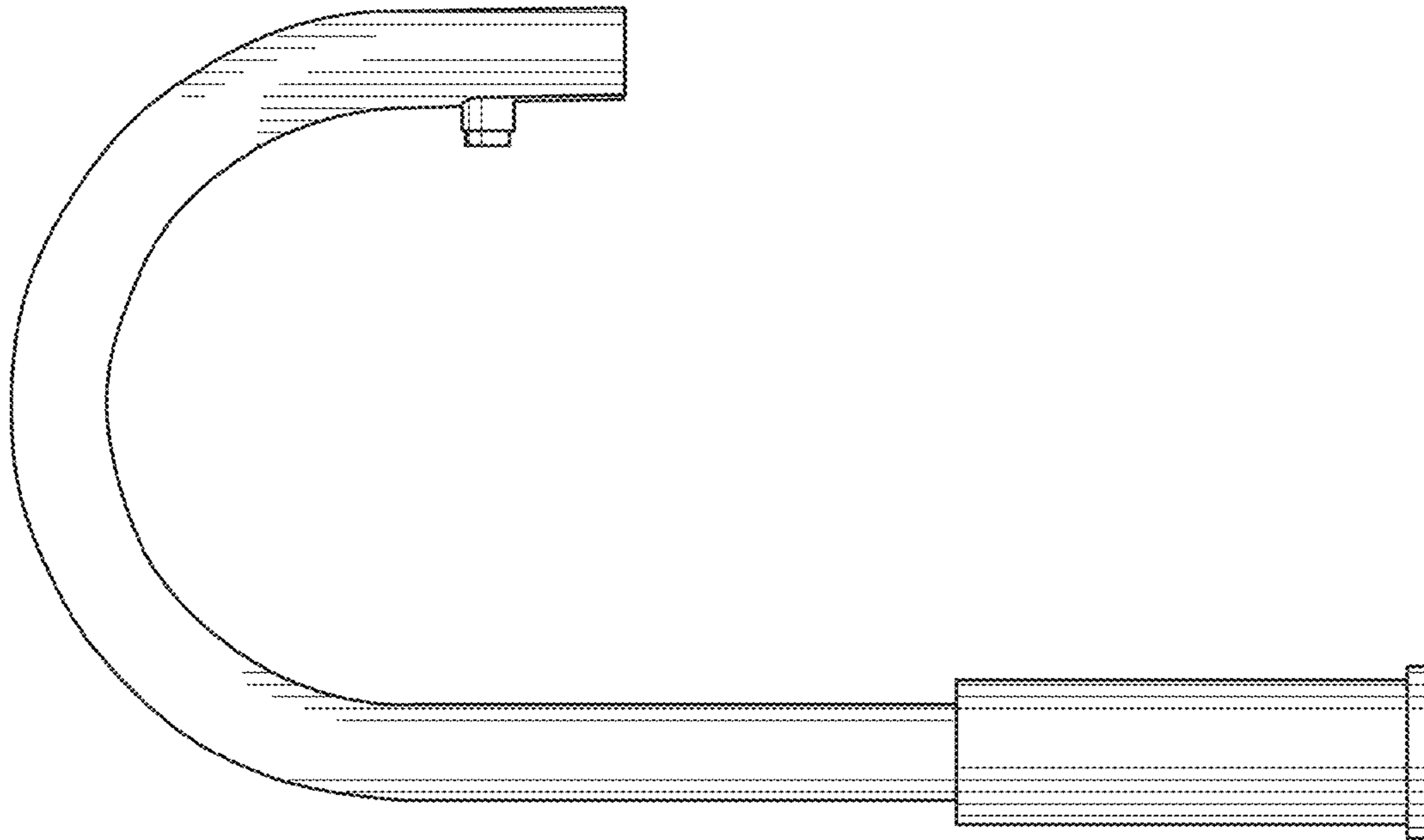


FIG. 6

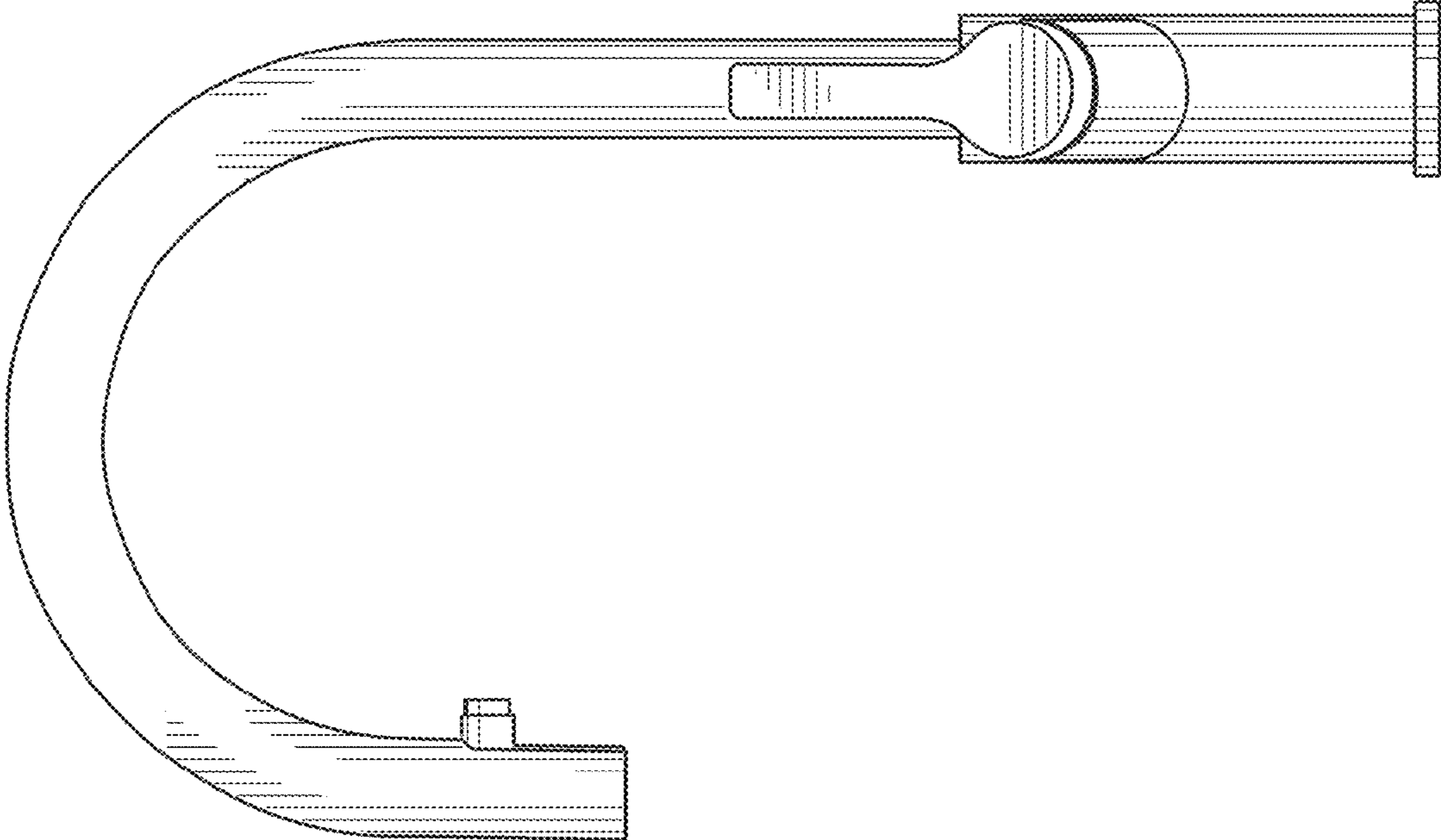


FIG. 7