



US00D787011S

(12) **United States Design Patent**
Zhang

(10) **Patent No.:** **US D787,011 S**

(45) **Date of Patent:** **** May 16, 2017**

(54) **VACUUM ZAPPER**

(71) Applicant: **FORTUNE YOUNG CO., LIMITED,**
Hong Kong (CN)

(72) Inventor: **Jian Zhang,** Nanjing (CN)

(73) Assignee: **FORTUNE YOUNG CO., LIMITED,**
Wanchai, HK (CN)

(**) Term: **15 Years**

(21) Appl. No.: **29/553,773**

(22) Filed: **Feb. 4, 2016**

(30) **Foreign Application Priority Data**

Jan. 18, 2016 (CN) 2016 3 0016861

(51) **LOC (10) Cl.** **22-06**

(52) **U.S. Cl.**
USPC **D22/123**

(58) **Field of Classification Search**
USPC D22/119–124; 43/112–113, 124, 131
CPC A01M 1/06; A01M 23/12
See application file for complete search history.

(56) **References Cited**

U.S. PATENT DOCUMENTS

4,979,330 A * 12/1990 Rorant A01M 1/06
43/139
6,226,919 B1 * 5/2001 Septer A01M 1/06
43/139

D469,501 S * 1/2003 Levine D22/122
D569,475 S * 5/2008 Szymanski D22/123
D583,008 S * 12/2008 Vranesh D22/123
8,701,339 B1 * 4/2014 Walsh A01M 23/12
43/139

* cited by examiner

Primary Examiner — Catheri Oliver-Garcia

(74) *Attorney, Agent, or Firm* — Hudak, Shunk & Farine
Co. LPA

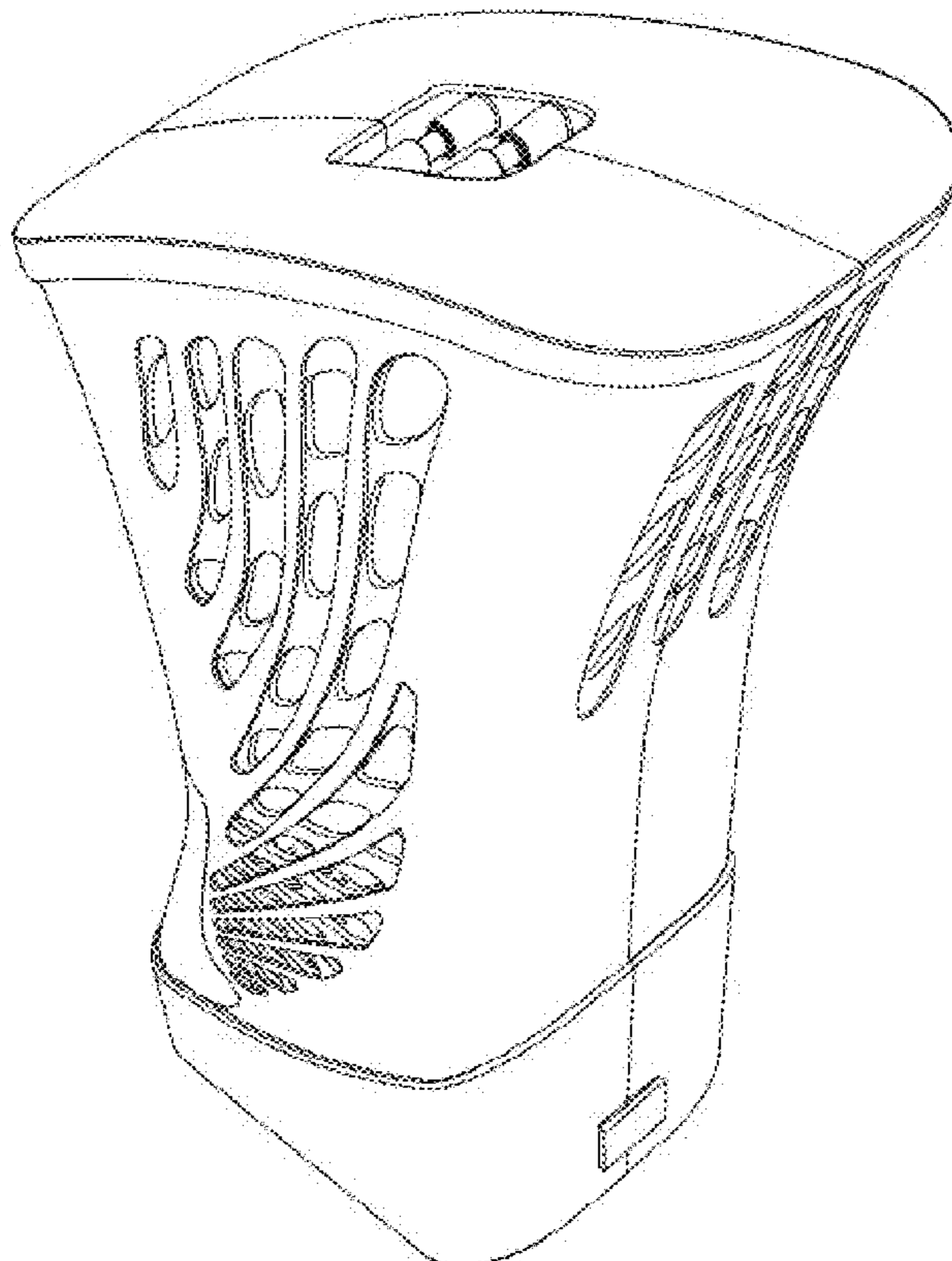
(57) **CLAIM**

The ornamental design for a “vacuum zapper,” as shown and described.

DESCRIPTION

FIG. 1 is a front view of a vacuum zapper;
FIG. 2 is a rear view thereof;
FIG. 3 is a left side view thereof;
FIG. 4 is a right side view thereof;
FIG. 5 is a top view thereof;
FIG. 6 is a bottom view thereof; and,
FIG. 7 is a perspective view thereof.

1 Claim, 7 Drawing Sheets



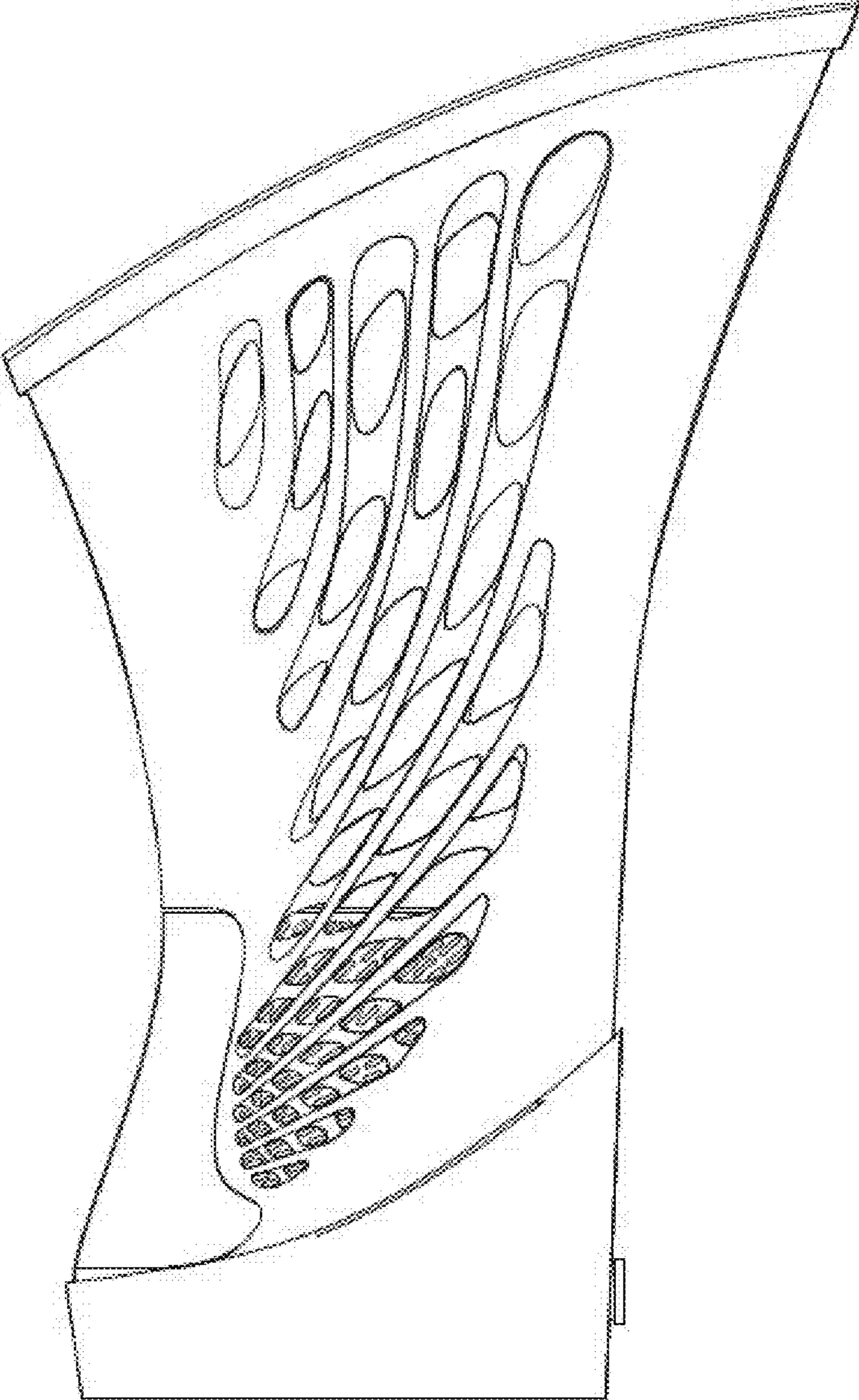


FIG. 1

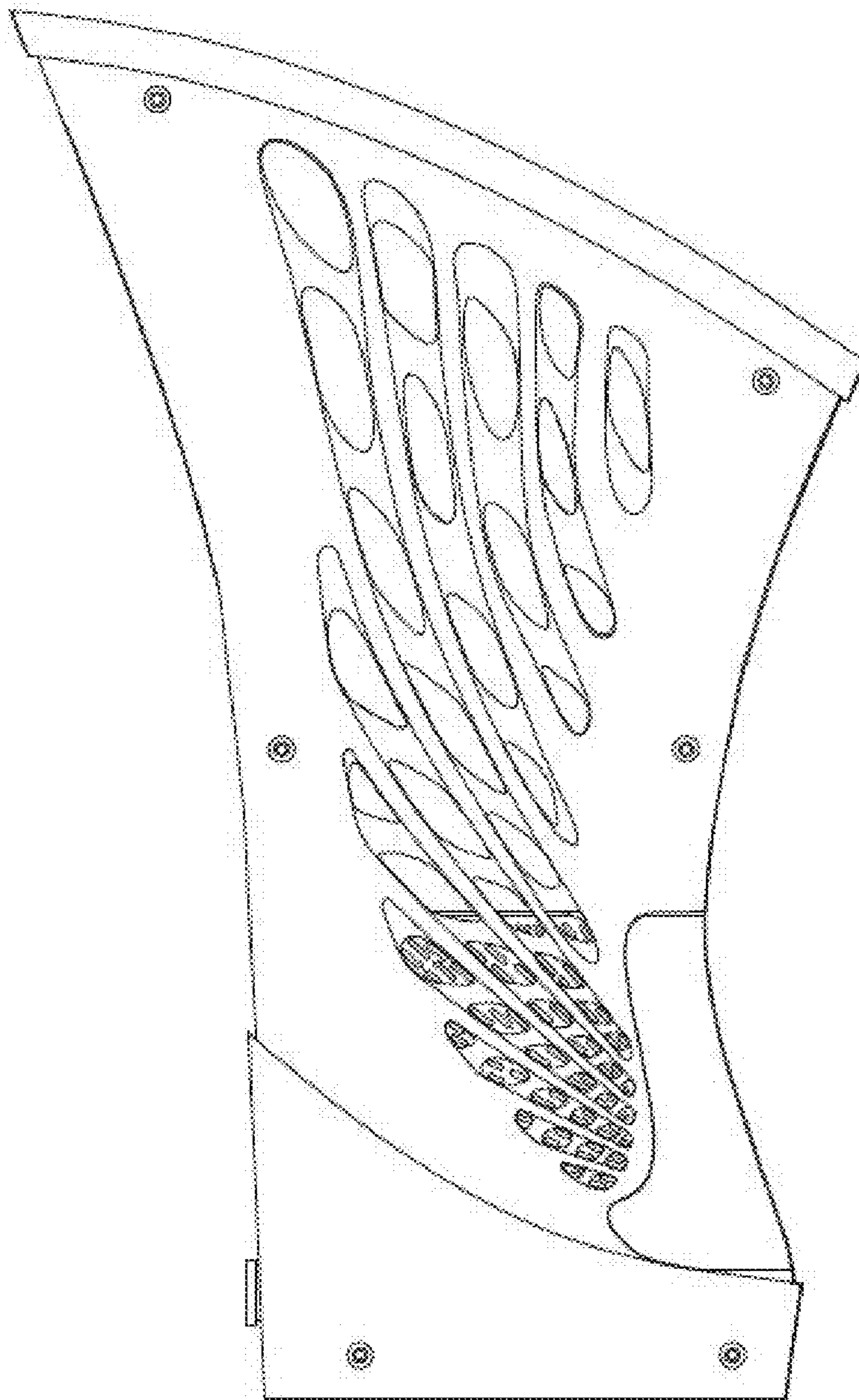


FIG. 2

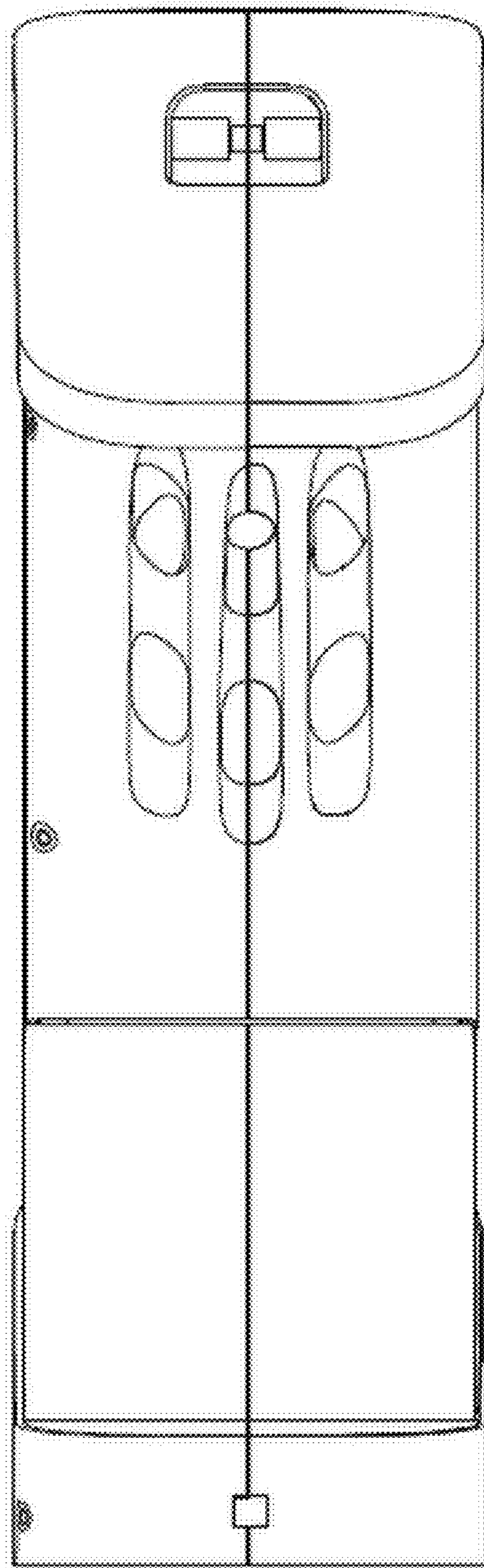


FIG. 3

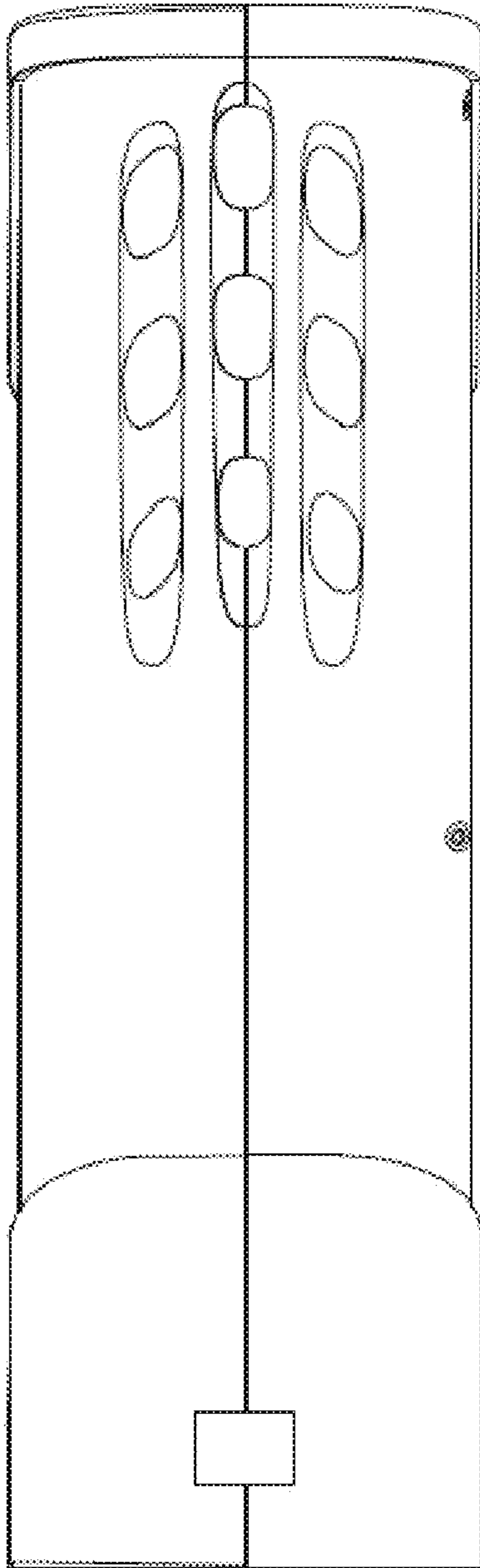


FIG. 4

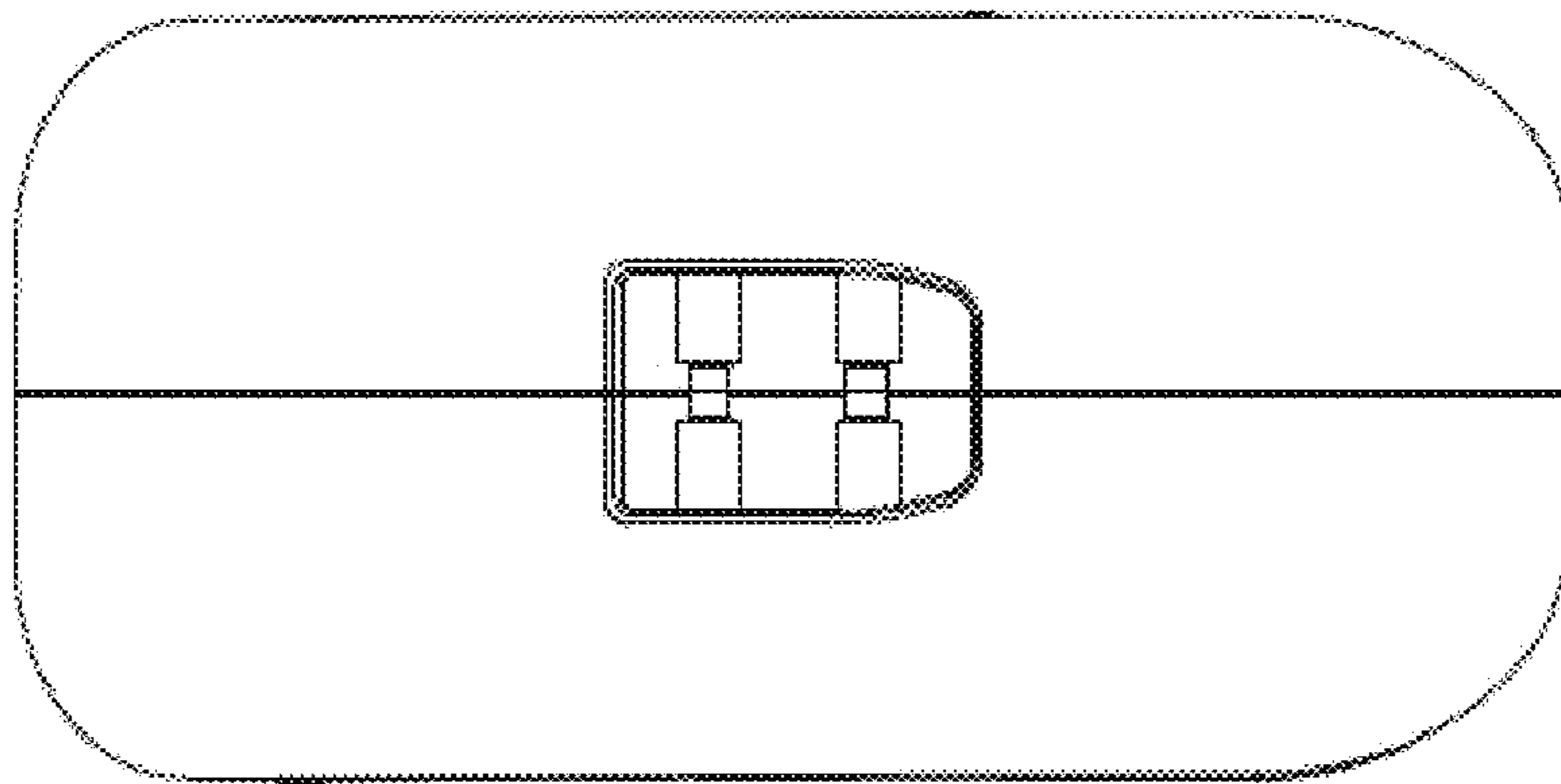


FIG. 5

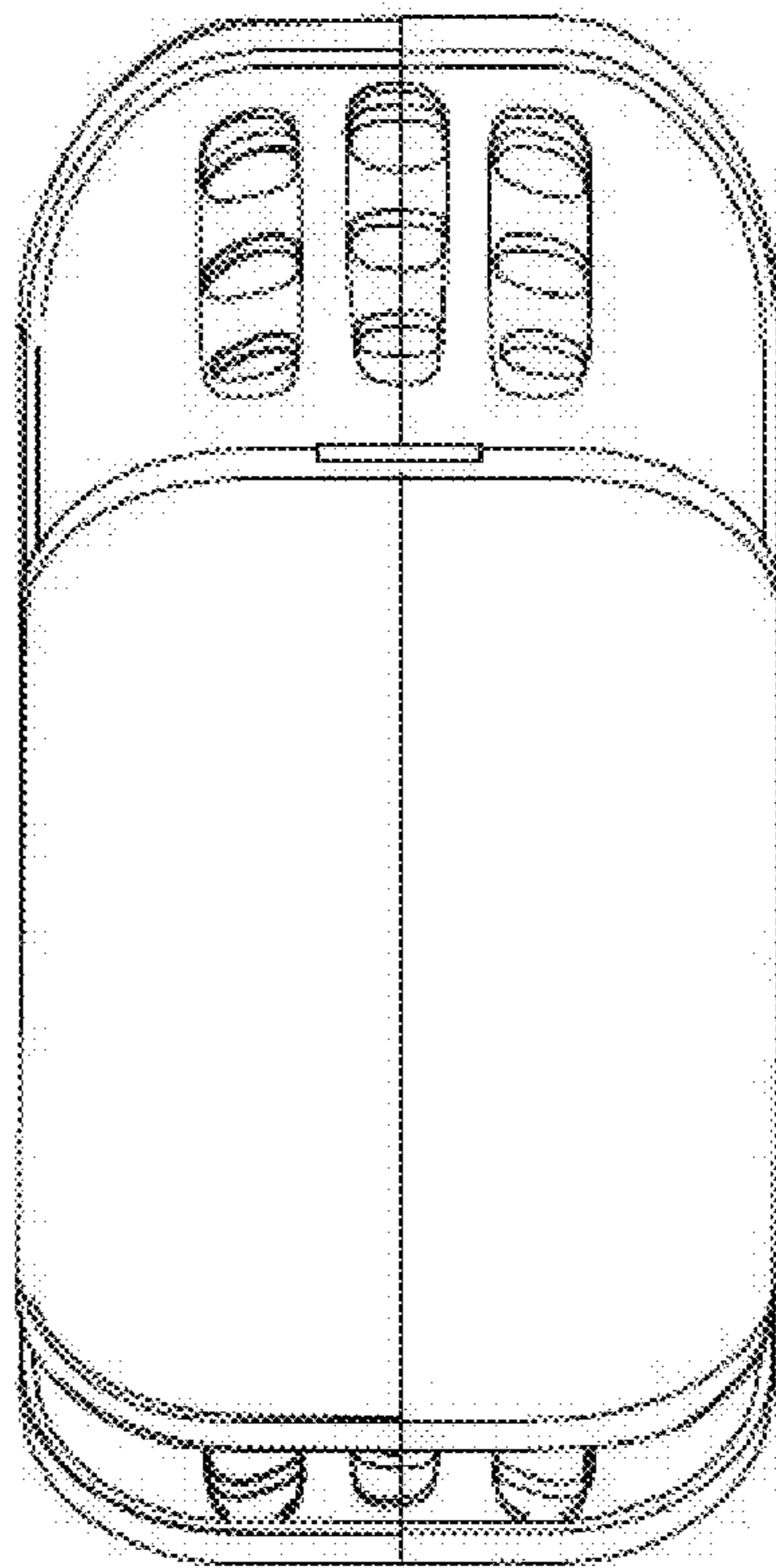


FIG. 6

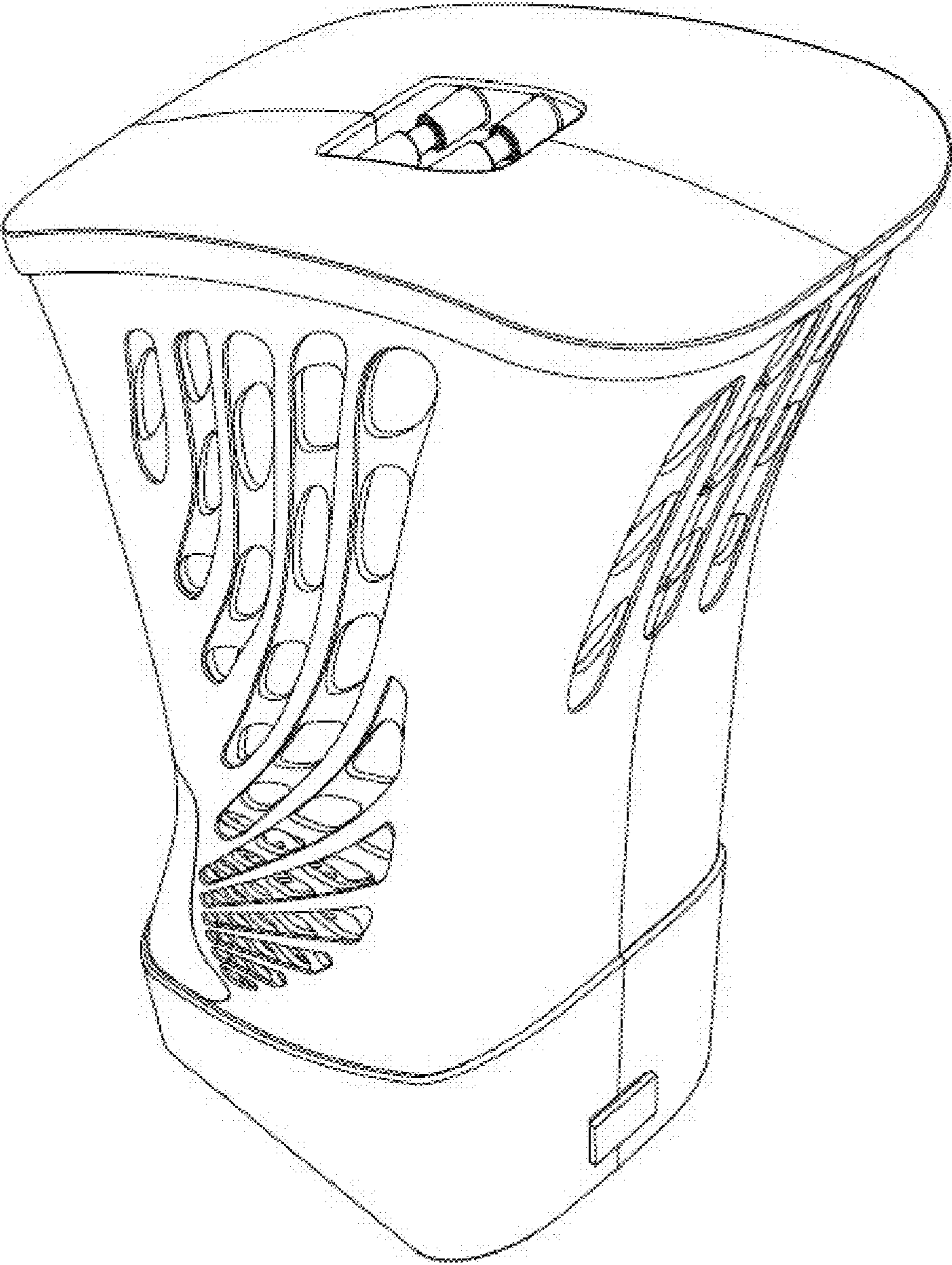


FIG. 7