



US00D787009S

(12) **United States Design Patent**
Carpenter

(10) **Patent No.:** **US D787,009 S**

(45) **Date of Patent:** **** May 16, 2017**

(54) **TARGET STAND HOLDER**

8,424,644 B2 * 4/2013 D'Abbraccio E01F 13/022

(71) Applicant: **Tyler K. Carpenter**, Lincolnton, NC
(US)

D763,401 S * 8/2016 Pixton F41J 1/10

D770,004 S * 10/2016 Woller D22/113

(72) Inventor: **Tyler K. Carpenter**, Lincolnton, NC
(US)

* cited by examiner

(**) Term: **15 Years**

Primary Examiner — Michael A Pratt

(74) *Attorney, Agent, or Firm* — Schwartz Law Firm, P.C.

(21) Appl. No.: **29/548,790**

(57) **CLAIM**

(22) Filed: **Dec. 16, 2015**

I claim the ornamental design for a target stand holder, as shown and described.

(51) **LOC (10) Cl.** **22-04**

(52) **U.S. Cl.**
USPC **D22/113**

DESCRIPTION

(58) **Field of Classification Search**
USPC D22/113, 199
CPC . B25H 1/06; B25H 1/04; B25H 1/0021; F41J
1/10; F41J 5/14; F41J 1/00; F41J 3/0004
See application file for complete search history.

FIG. 1 is an environmental perspective view of the target stand holder; the structural elements representing the target stand forming no part of the claimed design;
FIGS. 2-5 are further perspective views of the target stand holder;
FIG. 6 is a front view of the target stand holder, the back view being a mirror image thereof;
FIG. 7 is a side view of the target stand holder;
FIG. 8 is a top end view of the target stand holder; and,
FIG. 9 is a bottom end view of the target stand holder.

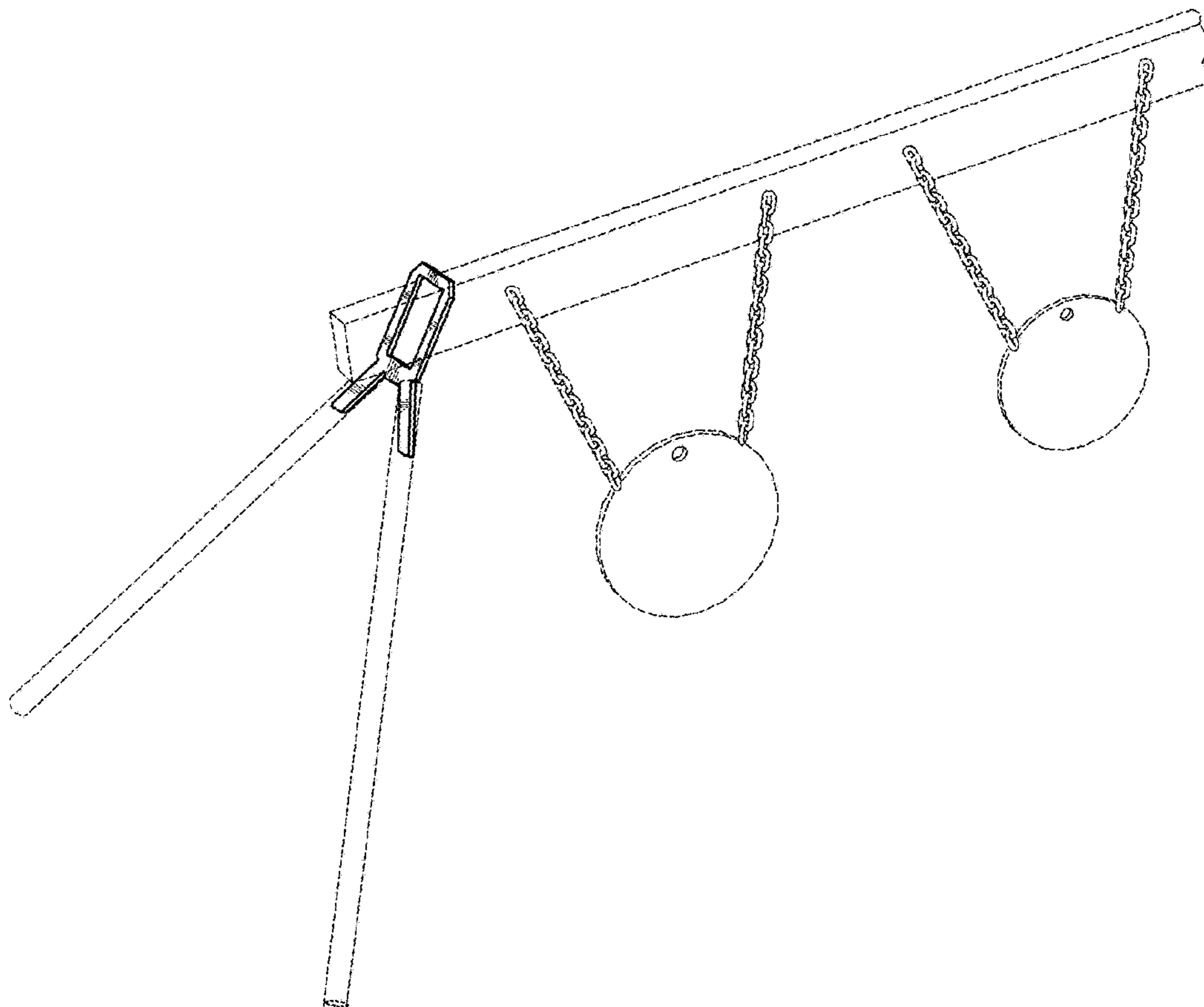
(56) **References Cited**

U.S. PATENT DOCUMENTS

4,248,326 A * 2/1981 Hansen A47B 3/06
182/186.1

D631,560 S * 1/2011 Merritt, Sr. D25/67

1 Claim, 8 Drawing Sheets



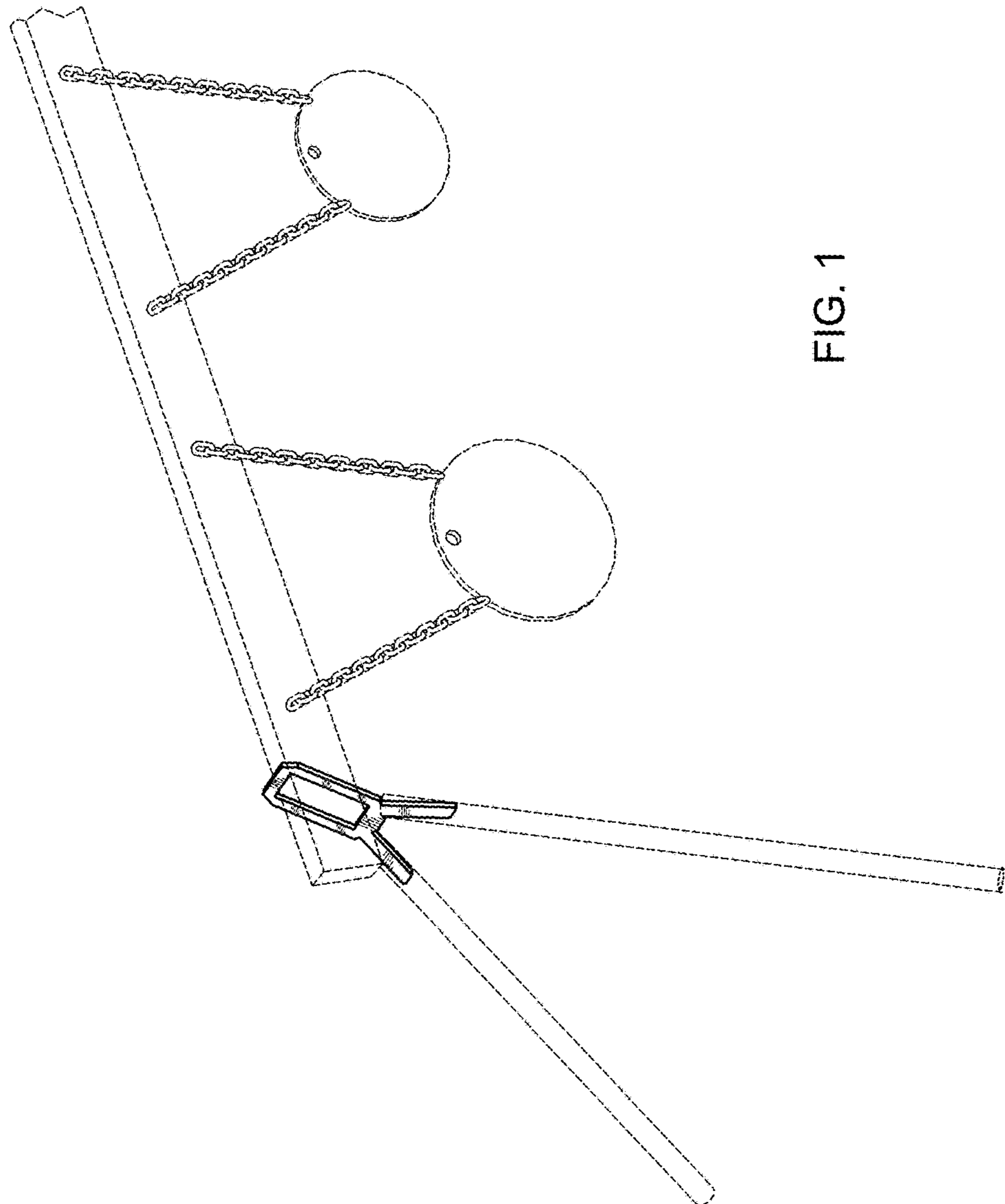


FIG. 1

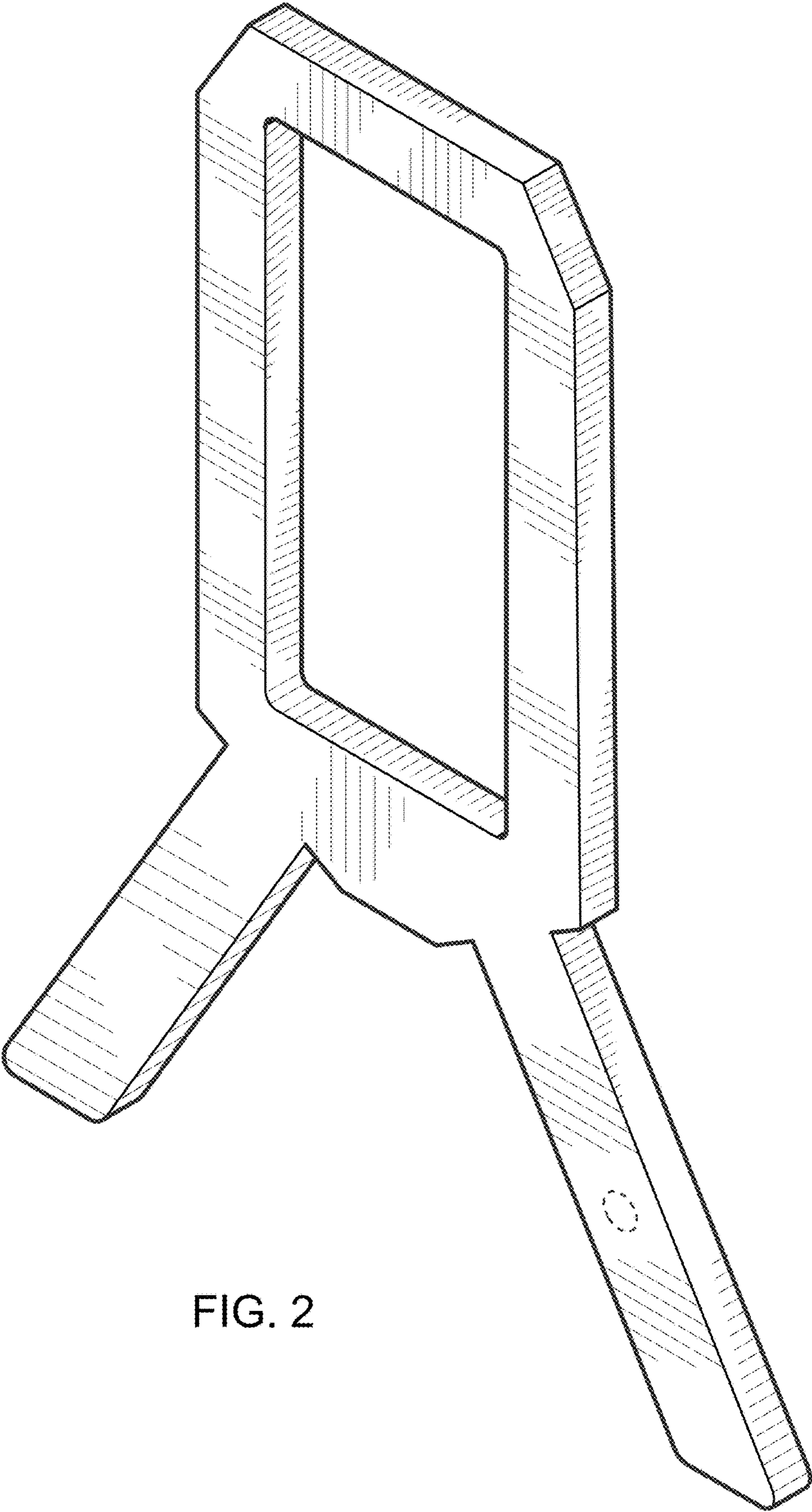


FIG. 2

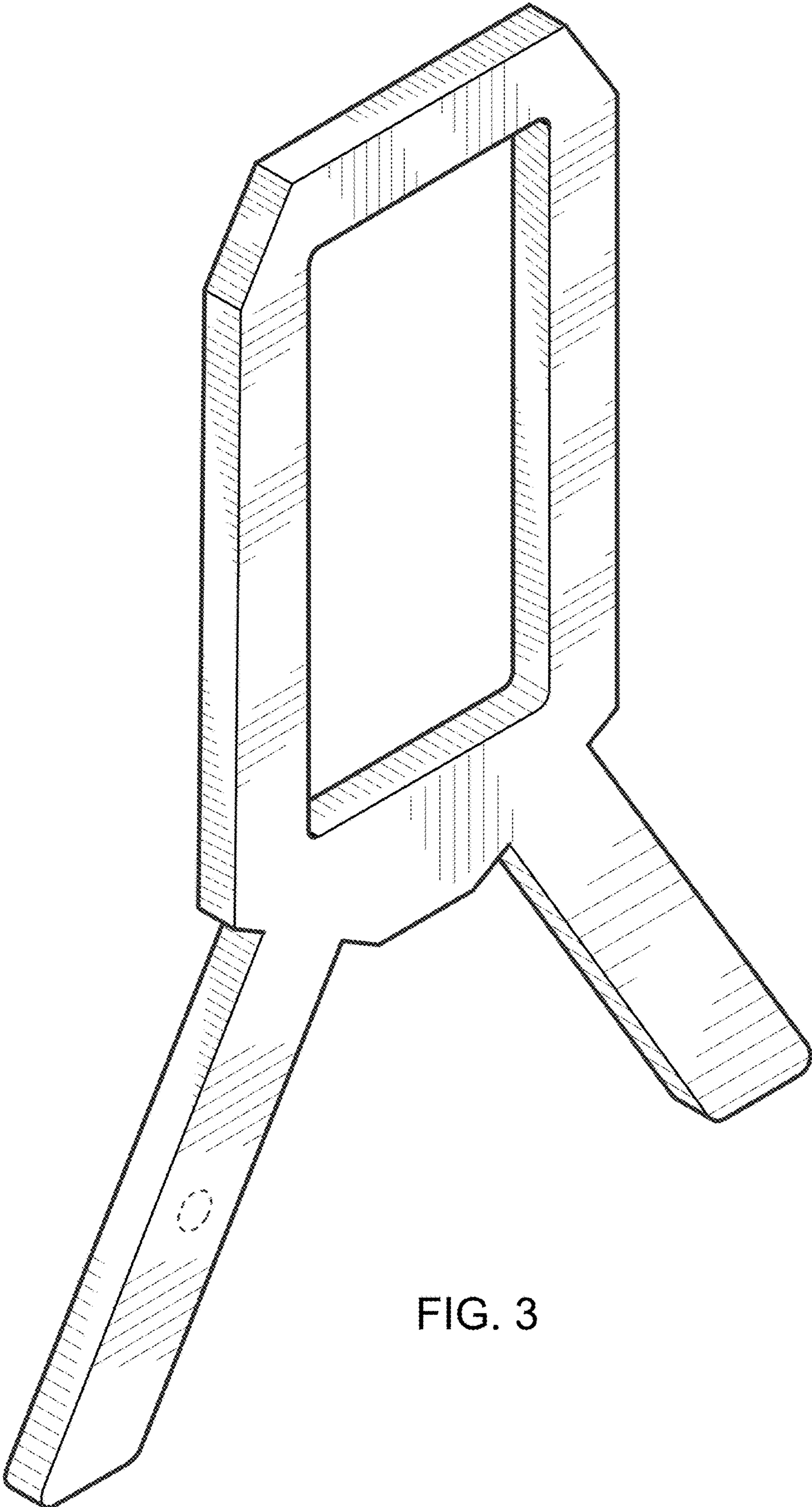


FIG. 3

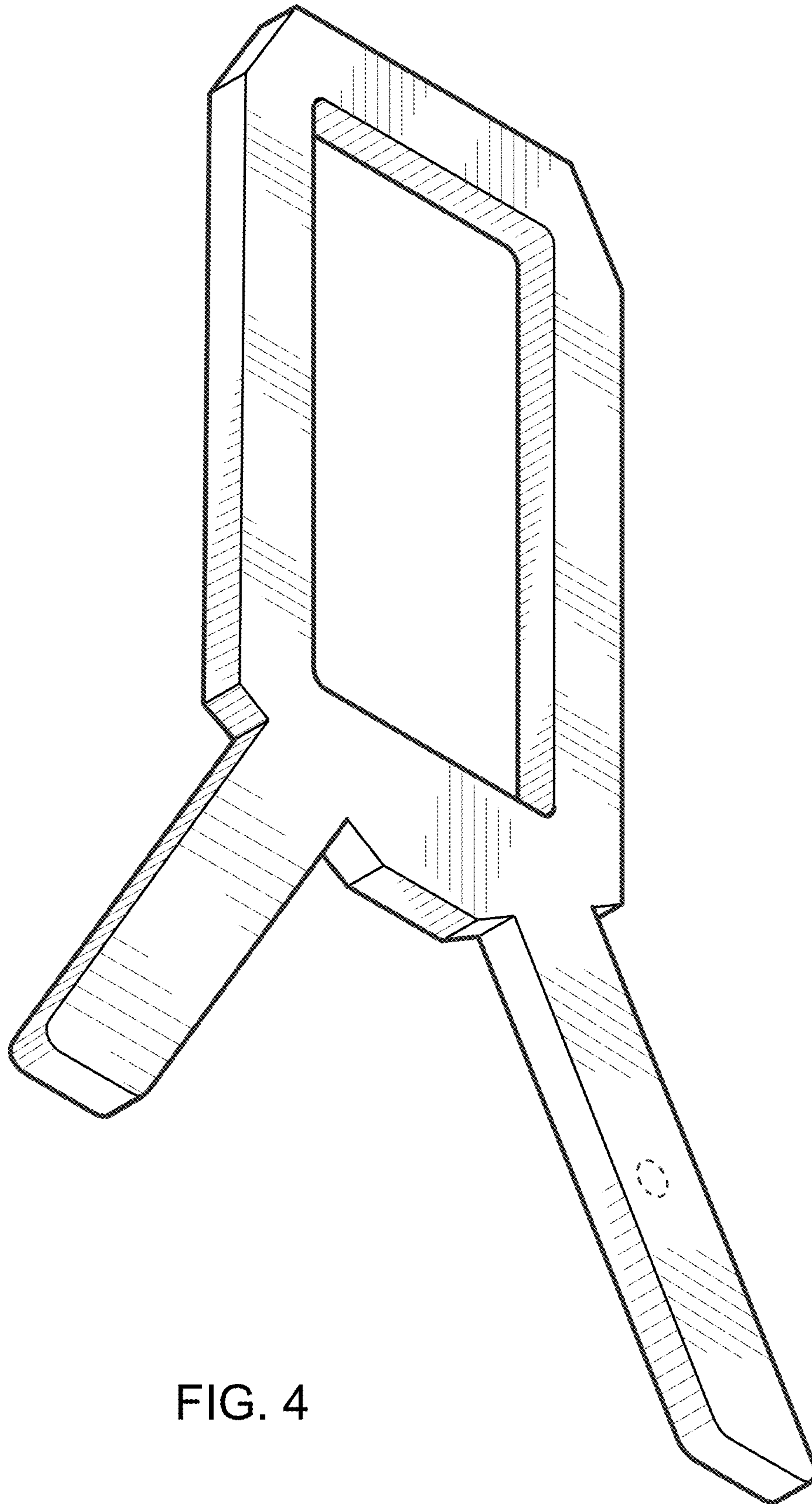


FIG. 4

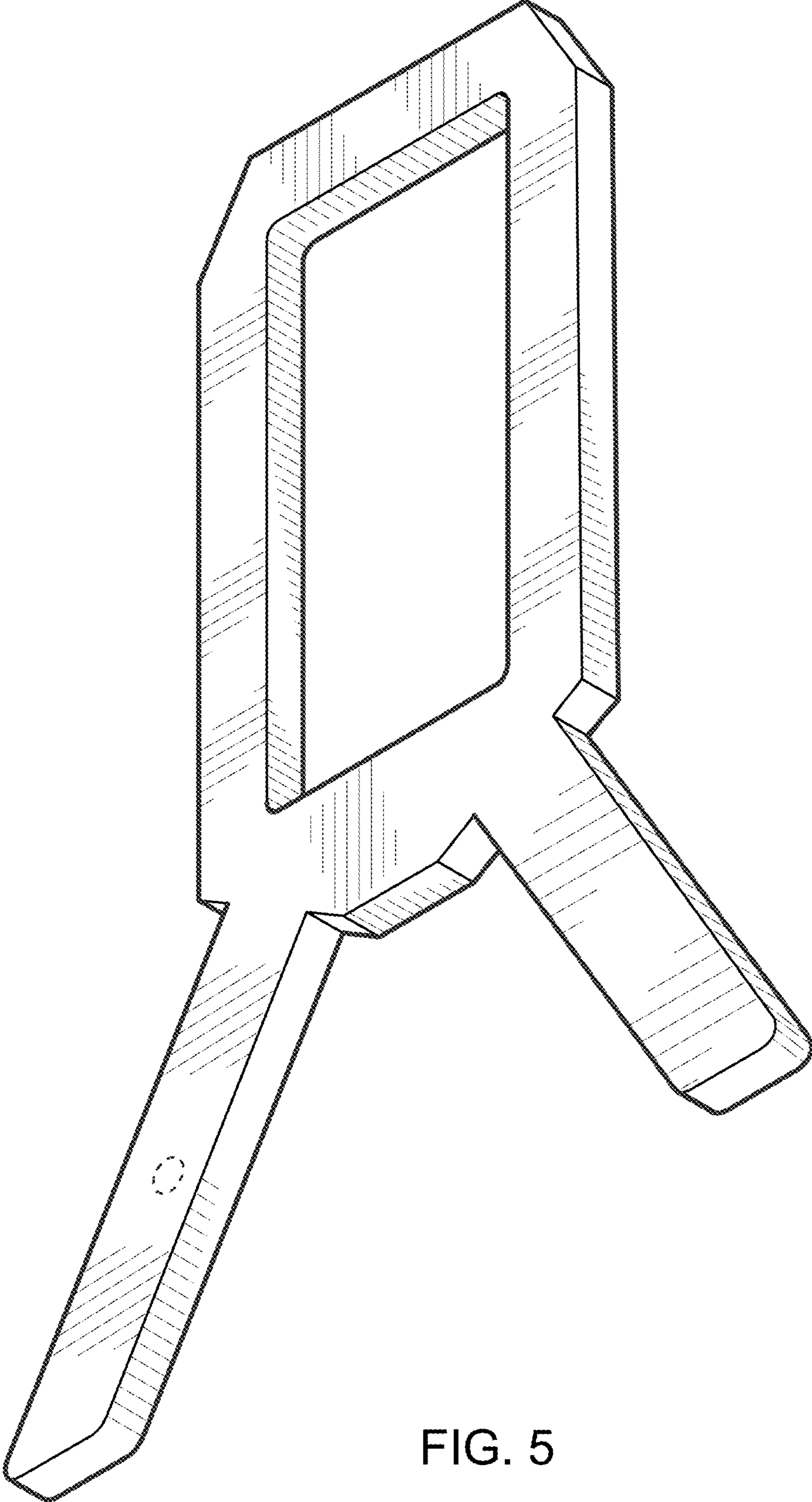


FIG. 5

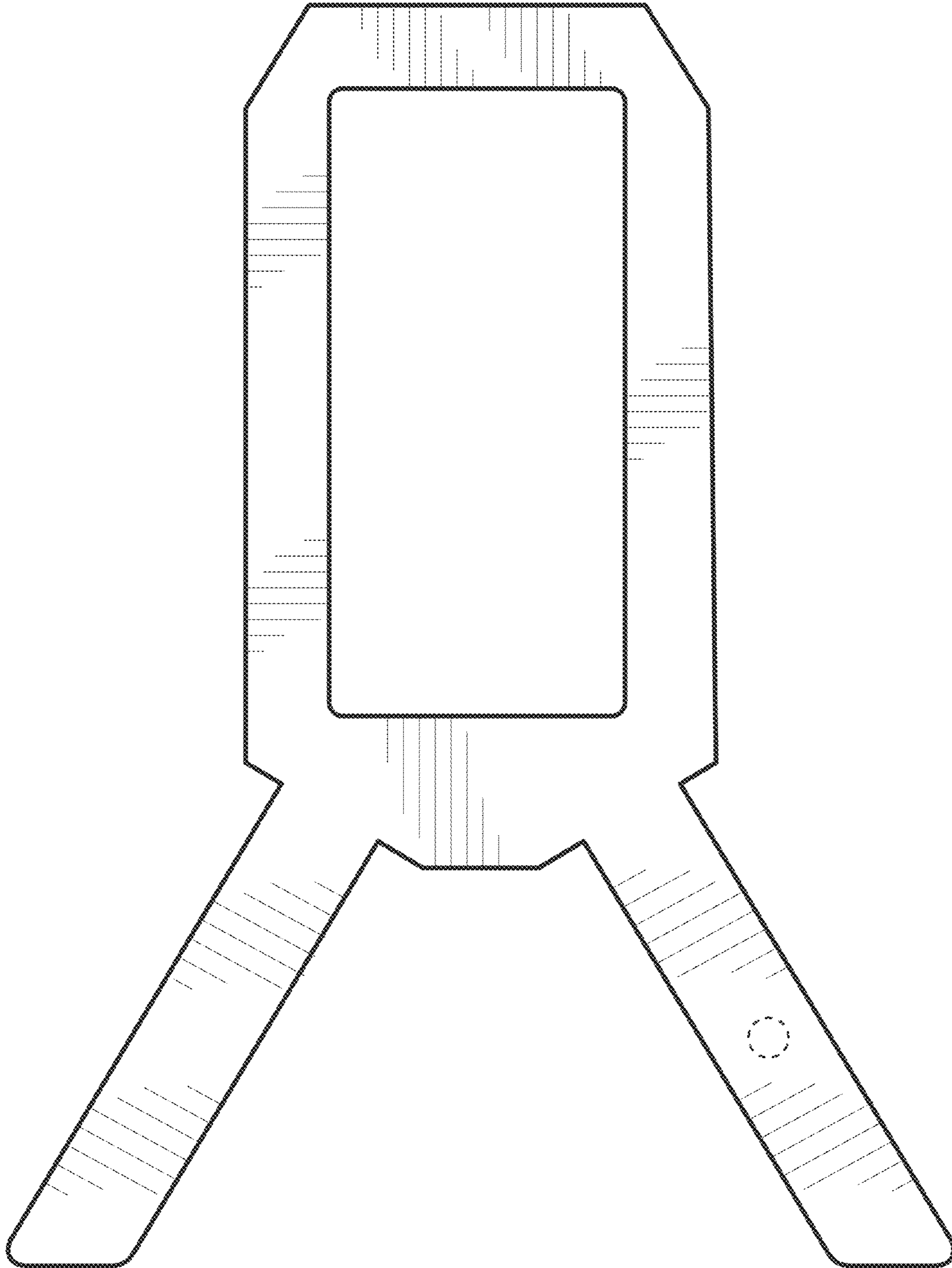


FIG. 6



FIG. 7



FIG. 8



FIG. 9