



US00D787008S

(12) **United States Design Patent**
Hale

(10) **Patent No.:** **US D787,008 S**

(45) **Date of Patent:** **** May 16, 2017**

(54) **SHOOTING TARGET**

(71) Applicant: **David Hale**, Somerset, WI (US)

(72) Inventor: **David Hale**, Somerset, WI (US)

(**) Term: **15 Years**

(21) Appl. No.: **29/531,633**

(22) Filed: **Jun. 29, 2015**

(51) **LOC (10) Cl.** **22-04**

(52) **U.S. Cl.**
USPC **D22/113**

(58) **Field of Classification Search**
USPC D22/113, 199; D1/100, 127-130, 199;
D11/10-11, 26-28, 40-43, 75, 89-93;
D28/8.1; D21/386; D24/100-101
CPC F41J 1/10; F41J 5/14; F41J 1/00; F41J
3/0004
See application file for complete search history.

6,974,127 B2 * 12/2005 Kang B41J 13/0009
271/10.11
6,979,184 B2 * 12/2005 Wu A61F 5/41
417/234
7,862,617 B2 * 1/2011 Lamprich A61F 2/442
623/17.16
8,347,822 B2 * 1/2013 Russell A01K 15/027
119/702
8,361,152 B2 * 1/2013 McCormack A61B 17/025
623/17.15
8,464,460 B1 * 6/2013 Runyan F41J 1/00
280/656

(Continued)

Primary Examiner — Michael A Pratt

(74) *Attorney, Agent, or Firm* — Skinner and Associates;
Joel Skinner

(57) **CLAIM**

The ornamental design for a shooting target, as shown and described.

DESCRIPTION

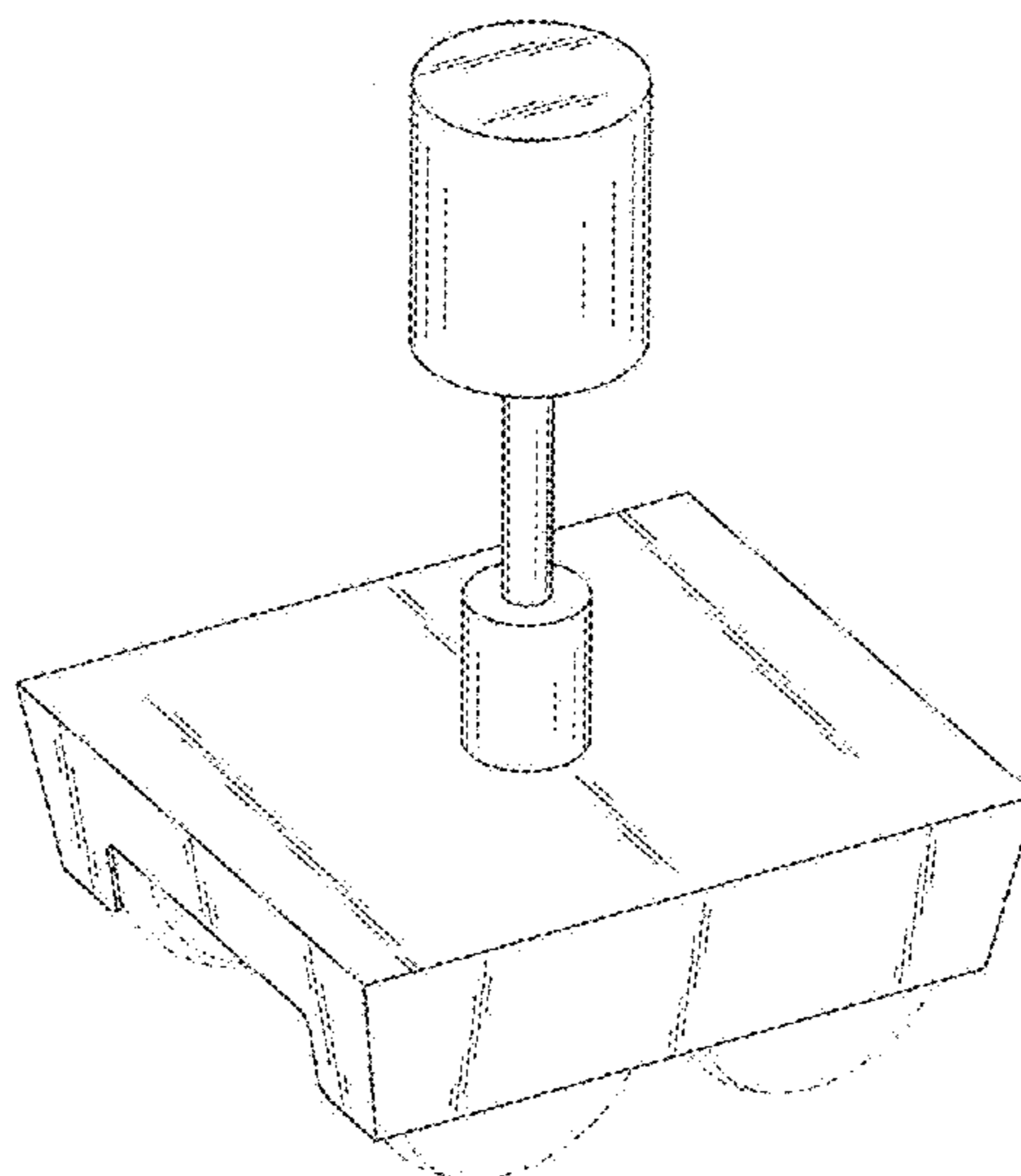
FIG. 1 is a top perspective view of a shooting target showing the embodiment of the design of the invention. The broken line showing of a structural feature is included for the purpose of illustrating non-claimed subject and forms no part of the claimed design in this and all following Figures, FIG. 2 is a bottom perspective view thereof; FIG. 3 is a front view thereof, the back view being a mirror image; FIG. 4 is a side view thereof, the opposite side being a mirror image; FIG. 5 is a top view thereof; and, FIG. 6 is a bottom view thereof. The design is for a shooting target which is used in shooting sports and in training of law enforcement and military personnel. The target is adapted to be coupled to a robot for movement.

1 Claim, 5 Drawing Sheets

(56) **References Cited**

U.S. PATENT DOCUMENTS

3,770,914 A * 11/1973 Larsen F41J 3/0004
104/302
D273,801 S * 5/1984 Olfman D21/386
4,591,387 A * 5/1986 De Gray B26D 3/28
127/24
4,743,256 A * 5/1988 Brantigan A61B 17/1604
128/898
4,813,684 A * 3/1989 Bruno F41J 3/0004
273/403
5,008,110 A * 4/1991 Benecke A61K 9/703
424/448
D335,704 S * 5/1993 Casberg D23/207
5,646,466 A * 7/1997 Noji H02K 3/47
310/112
6,315,795 B1 * 11/2001 Scarborough A61B 17/1637
606/247
6,609,791 B1 * 8/2003 Miyamoto B41J 11/005
347/104



(56)

References Cited

U.S. PATENT DOCUMENTS

8,845,217 B2 * 9/2014 Ogasawara B41J 13/025
347/104
8,987,613 B2 * 3/2015 Turner G01G 19/005
177/1
D741,471 S * 10/2015 Lagratta D24/101
2003/0137101 A1 * 7/2003 Hendzel B65H 29/12
271/272
2007/0146480 A1 * 6/2007 Judge G21C 17/01
348/83
2011/0218092 A1 * 9/2011 Ishii B41F 13/56
493/463
2012/0046582 A1 * 2/2012 Hopman A61B 17/1322
602/4
2013/0341869 A1 * 12/2013 Lenoff F41J 9/02
273/406
2016/0082529 A1 * 3/2016 Gass B23D 45/068
83/477.1
2016/0109391 A1 * 4/2016 Chi G01N 24/08
324/309
2016/0271710 A9 * 9/2016 Gass B23D 45/068

* cited by examiner

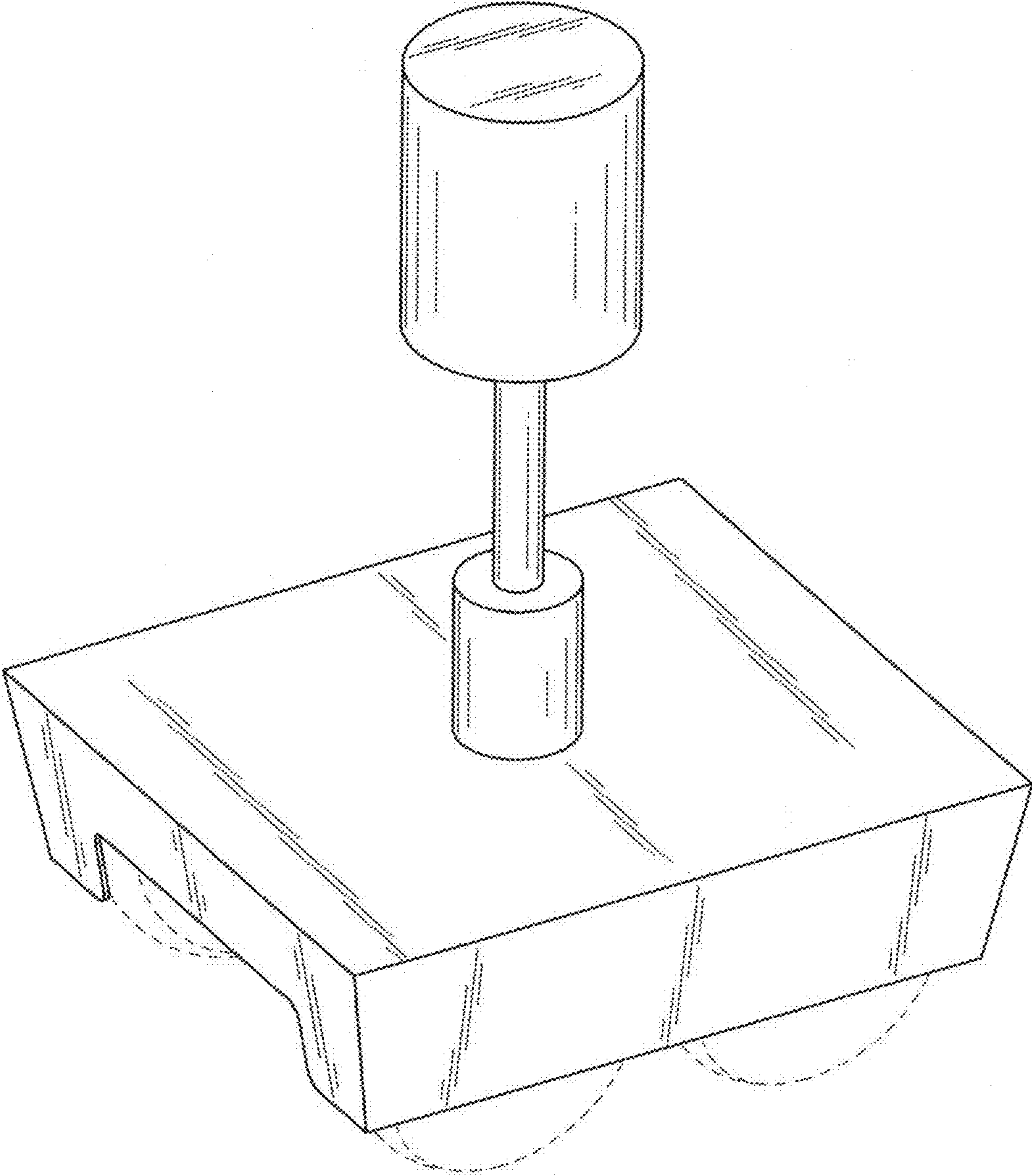


FIG. 1

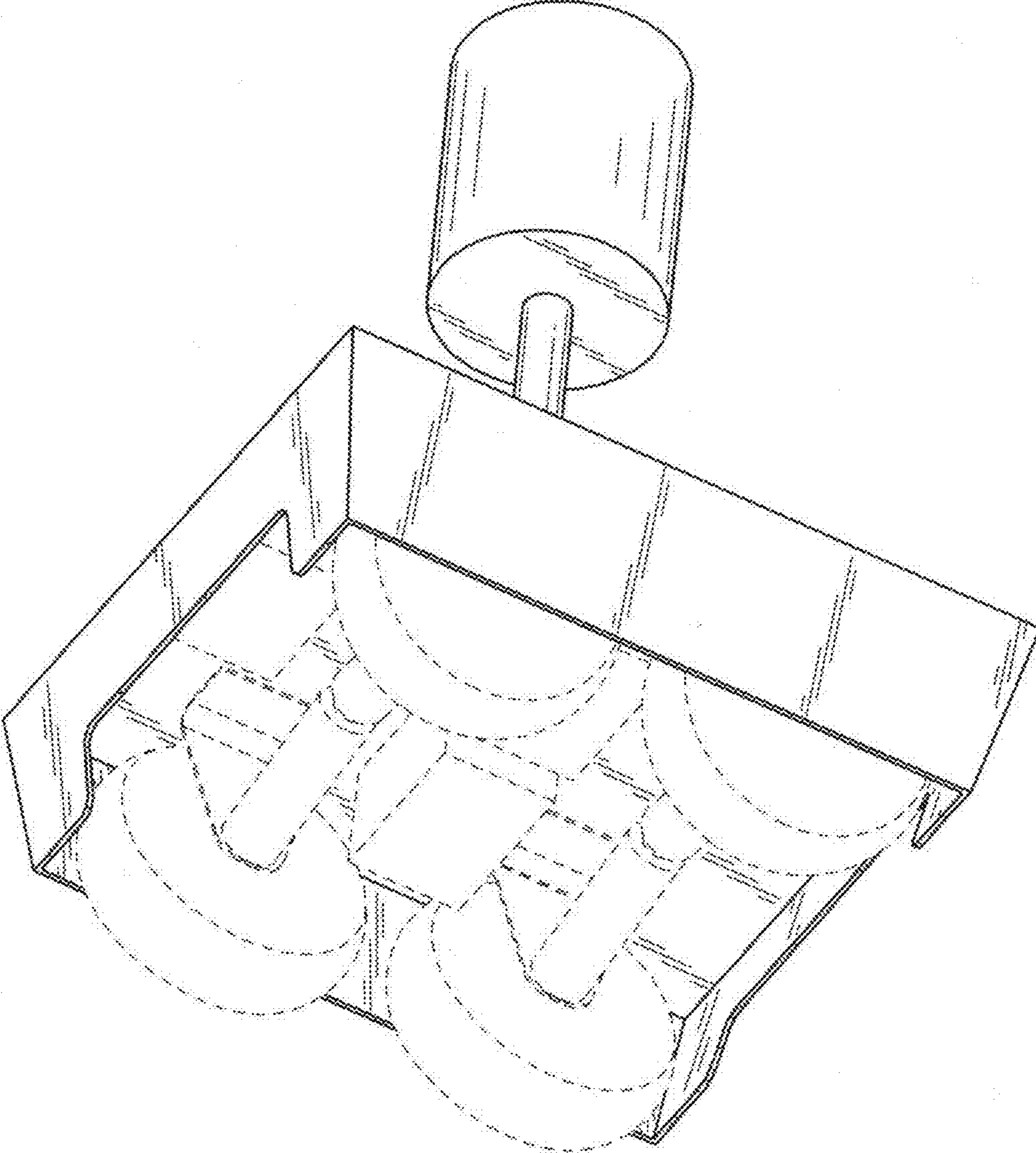


FIG. 2

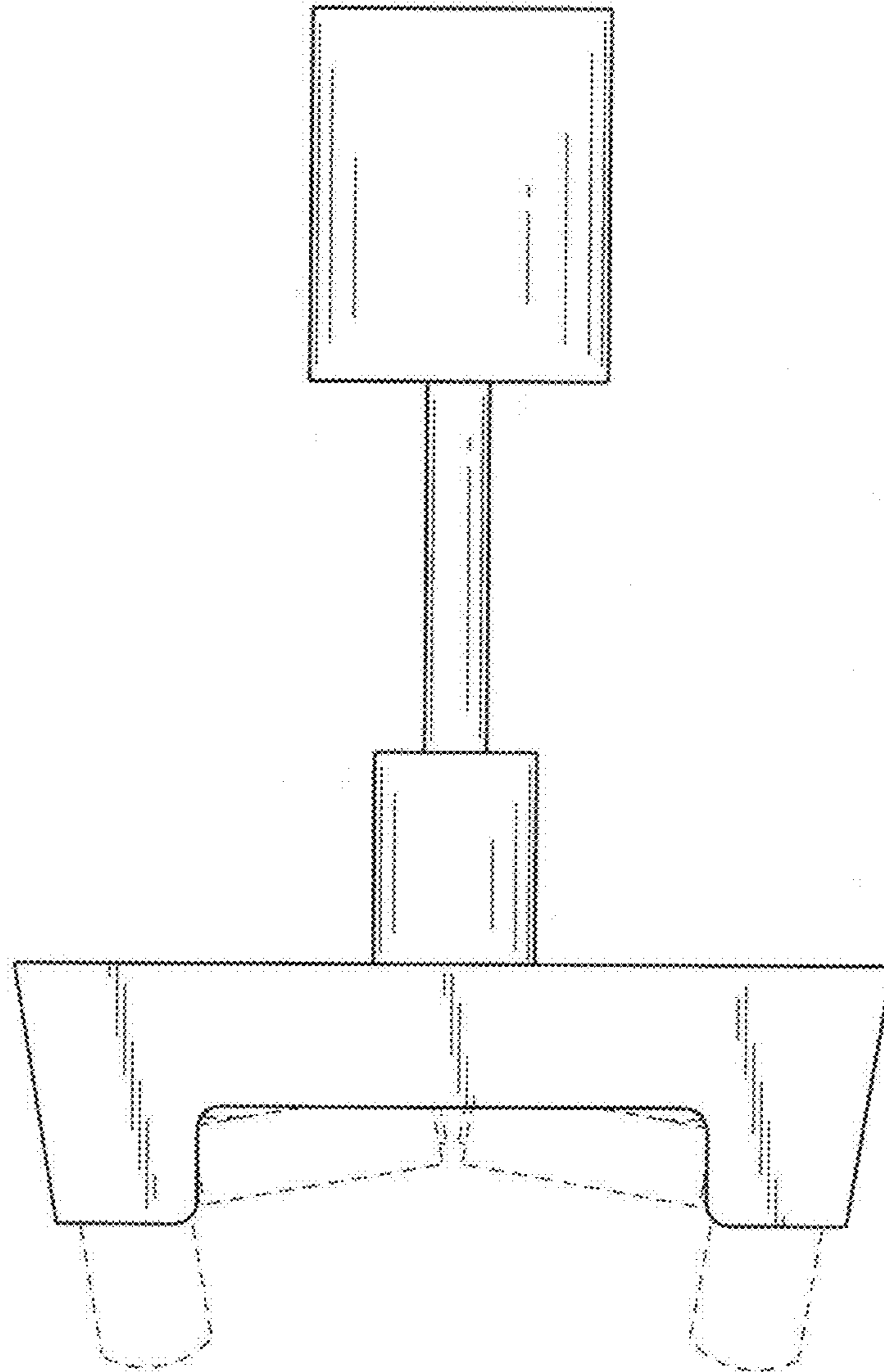


FIG. 3

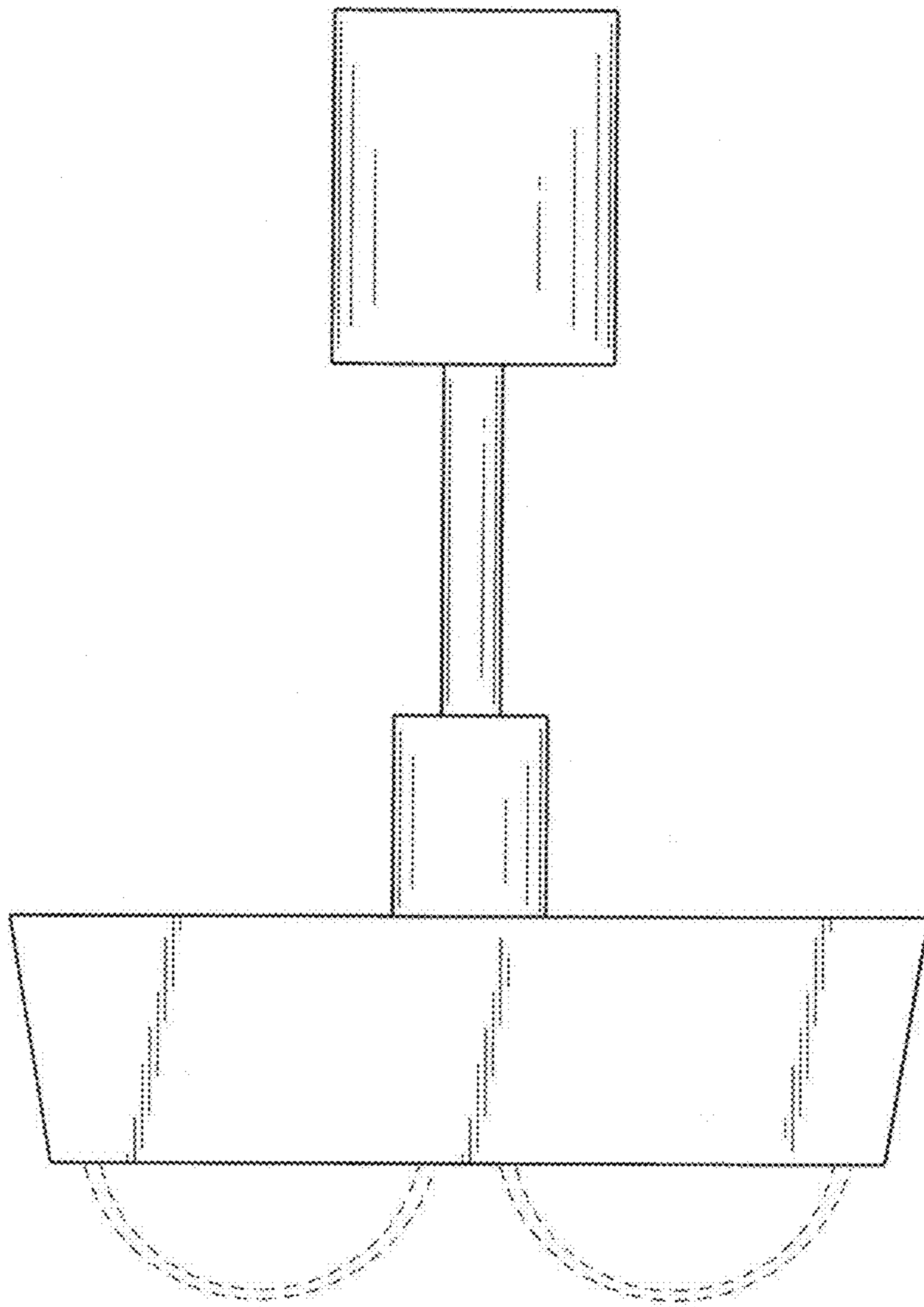


FIG. 4

FIG. 5

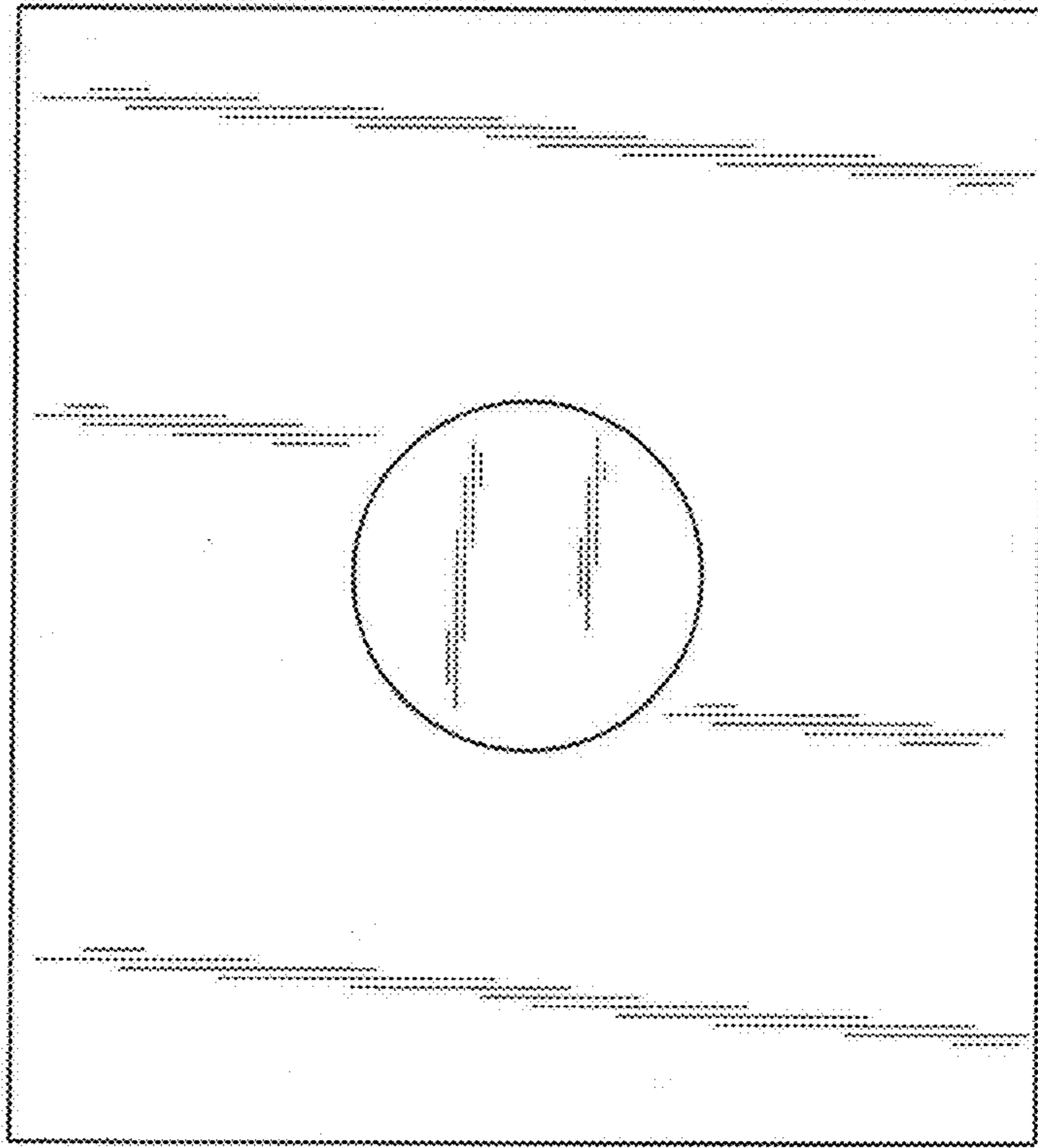


FIG. 6

