



US00D787007S

(12) **United States Design Patent** (10) **Patent No.:** **US D787,007 S**  
**Maughn** (45) **Date of Patent:** **\*\* May 16, 2017**

(54) **SCOPE MOUNT**

(71) Applicant: **Alpine Manufacturing, LLC**, Salt Lake City, UT (US)  
(72) Inventor: **Jason S. Maughn**, Taylorsville, UT (US)  
(73) Assignee: **Alpine Manufacturing, LLC**, Salt Lake City, UT (US)  
(\*\*) Term: **15 Years**

(21) Appl. No.: **29/554,488**

(22) Filed: **Feb. 11, 2016**

(51) **LOC (10) Cl.** ..... **22-01**

(52) **U.S. Cl.**  
USPC ..... **D22/110**; D22/108

(58) **Field of Classification Search**  
USPC ..... D22/100, 101, 103, 105, 108, 109, 110; D21/572-575; D14/418; 42/124, 125, 42/126, 127, 128, 10, 83, 85, 86, 87, 90, 42/113, 117, 141, 75.01, 75.02, 75.03, 42/75.05, 50, 51, 71.01, 94; 362/110  
CPC .... F41G 11/001; F41G 11/003; F41G 11/004; F41G 11/005; F41G 11/006; F41G 1/00; F41G 1/065; F41G 1/08; F41G 1/17; F41G 1/42; F41G 1/32; F41G 1/35; F41G 1/38; F41G 1/02; F41G 1/12; F41G 1/16; F41G 1/345; F41G 1/425; F41G 3/00; F41A 21/482; F41A 21/488; F41A 21/00; F41A 11/00; F41A 11/02; F41A 11/04; F41A 3/66; F41A 3/72; F41A 9/61; F41A 9/62; F41A 9/65; F41A 9/70; F41A 9/83; F41A 17/38; F41C 23/04; F41C 23/10; F41C 23/14; F41C 23/16; F41C 23/20; F41C 7/00; F41C 27/00; G02B 23/105  
See application file for complete search history.

(56) **References Cited**

U.S. PATENT DOCUMENTS

D291,470	S	*	8/1987	Bechtel	.....	D22/110
D318,708	S	*	7/1991	Bechtel	.....	D22/110
D410,061	S	*	5/1999	Emerson	.....	D22/100
D537,901	S	*	3/2007	Elkaim	.....	D22/109
7,543,405	B1		6/2009	Ivey		
D664,232	S	*	7/2012	Storch	.....	D22/108
8,528,140	B1		9/2013	Phillips et al.		
D718,832	S	*	12/2014	Huang	.....	D22/108
D732,628	S	*	6/2015	Cheng	.....	D22/108
D738,986	S	*	9/2015	Anderson	.....	D22/109
D741,442	S	*	10/2015	Wilson	.....	D22/108

(Continued)

OTHER PUBLICATIONS

Sadlak Scope Mount M1A M14 Matte, 2016, [online], [site visited Dec. 19, 2016]. Retrieved from <url:https://www.midwayusa.com/product/2959580945/sadlak-scope-mount-m1a-m4-matte>.\*

(Continued)

*Primary Examiner* — Jeffrey D Asch  
*Assistant Examiner* — Tracey J Bell  
(74) *Attorney, Agent, or Firm* — Thorpe North & Western LLP

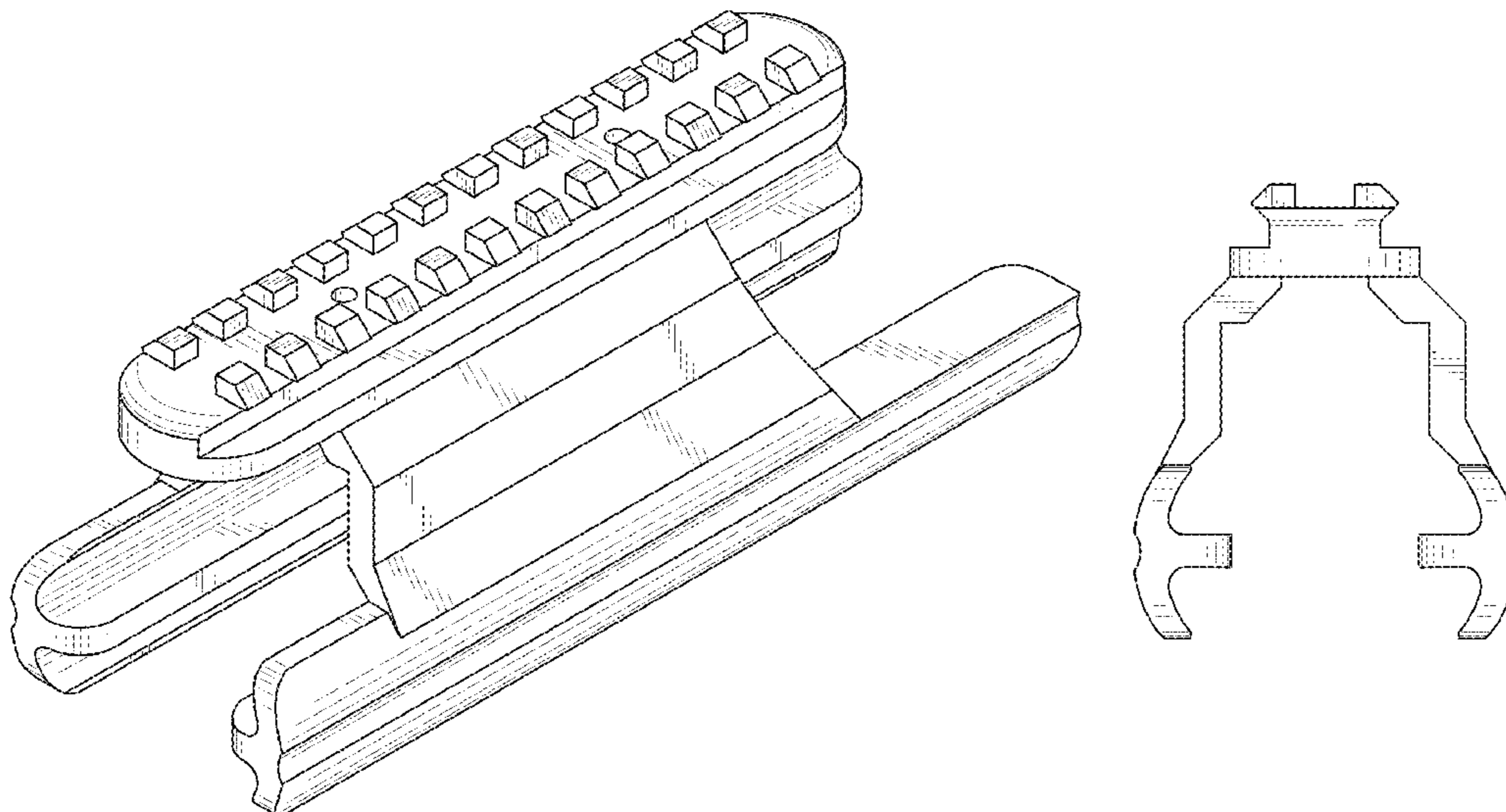
(57) **CLAIM**

The ornamental design for the scope mount, as shown and described herein.

**DESCRIPTION**

FIG. 1 is an elevated, perspective view of the scope mount in accordance with my invention;  
FIG. 2 is a side view thereof;  
FIG. 3 is an opposite side view of FIG. 2;  
FIG. 4 is a front side view of the invention as shown in FIG. 1;  
FIG. 5 is an opposite side view of FIG. 4;  
FIG. 6 is a top view of the invention; and,  
FIG. 7 is a bottom view of the invention.

**1 Claim, 6 Drawing Sheets**



(56)

**References Cited**

U.S. PATENT DOCUMENTS

2011/0197491 A1\* 8/2011 McCann ..... F41G 1/033  
42/132  
2016/0010946 A1\* 1/2016 Gibbens ..... F41G 11/003  
42/71.01  
2016/0363416 A1\* 12/2016 Klotz ..... F41G 11/003

OTHER PUBLICATIONS

Leapers UTG Tactical Mosin Nagant Tri-Rail Mount MNT-MNTR01, no date available, [online], [site visited Dec. 19, 2016]. Retrieved from <url:http://www.opticsplanet.com/leapers-utg-tactical-mosin-nagant-tri-rail-mount-mnt-mntr01.html>.\*

\* cited by examiner

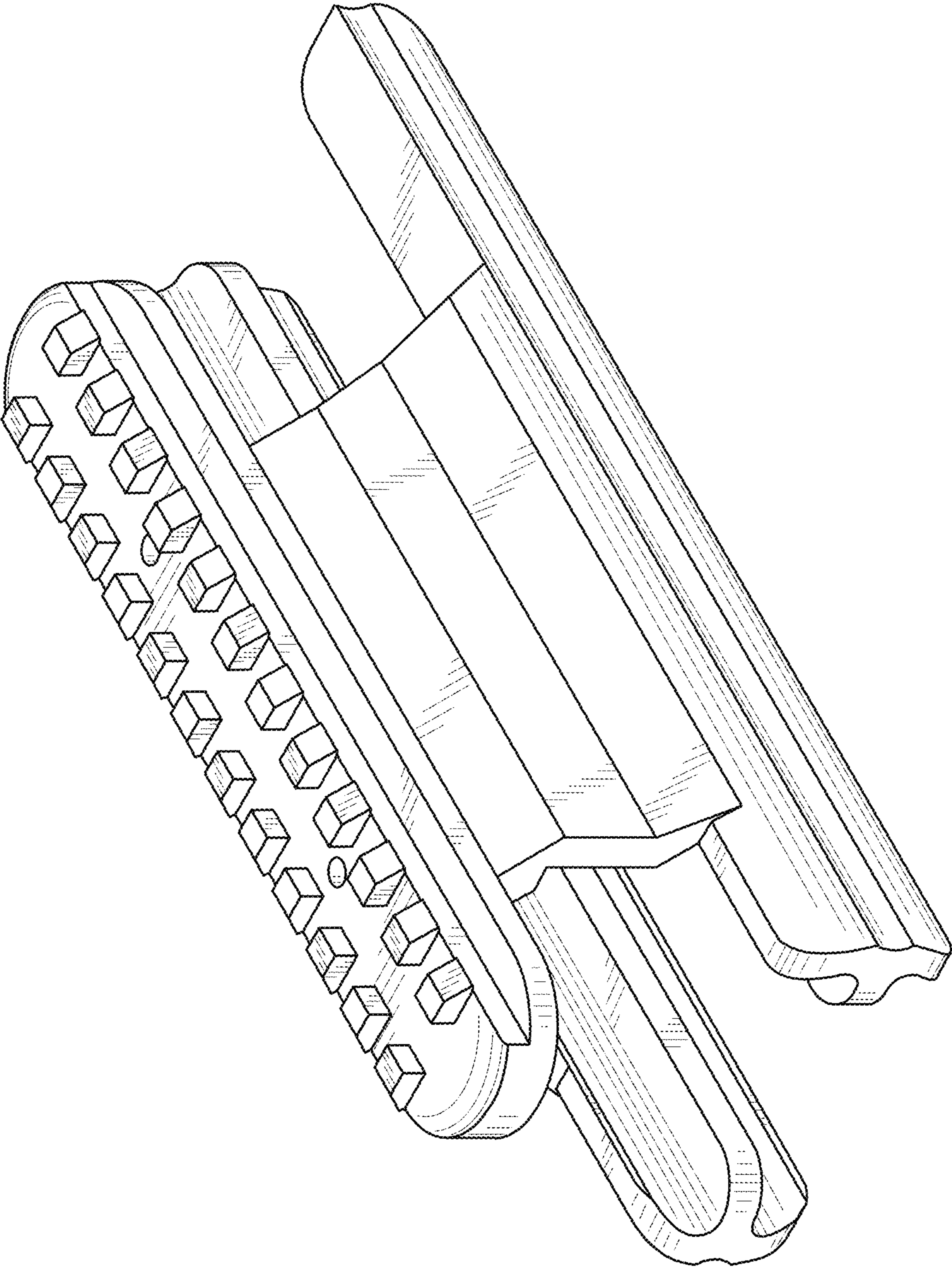


FIG. 1



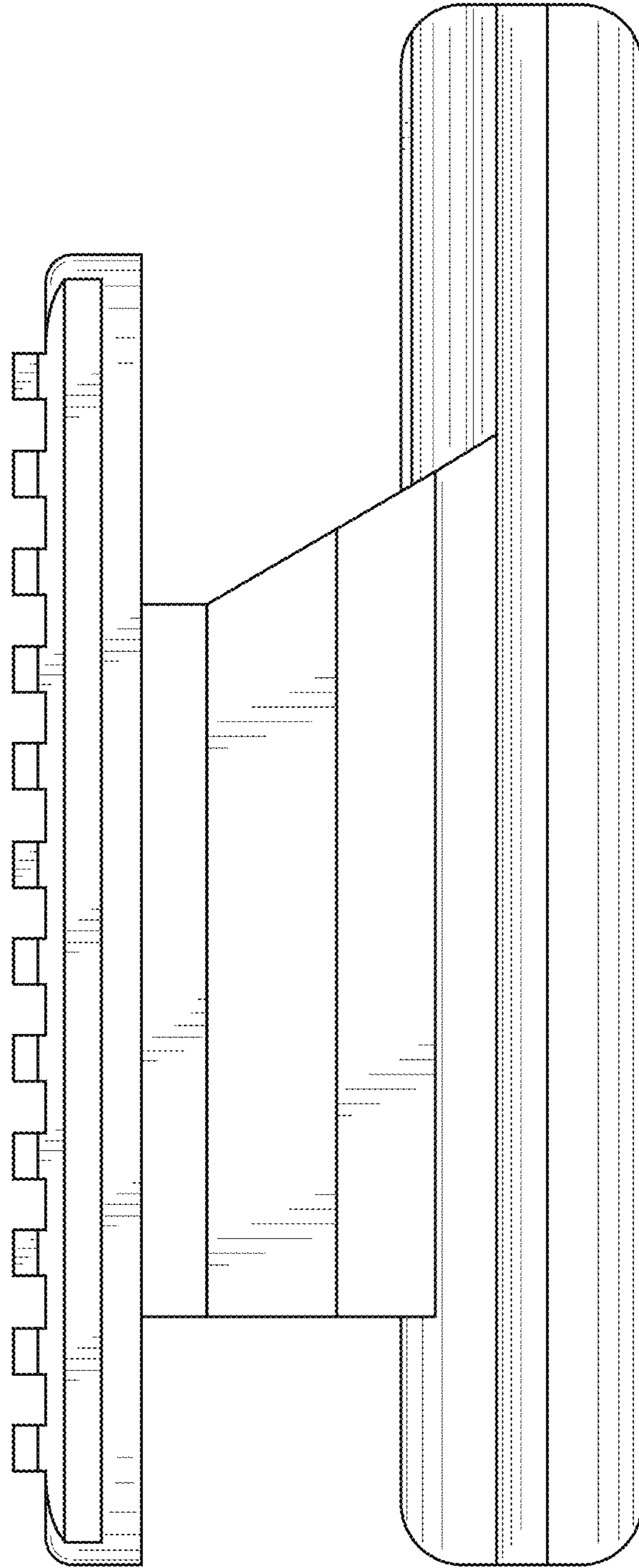


FIG. 2

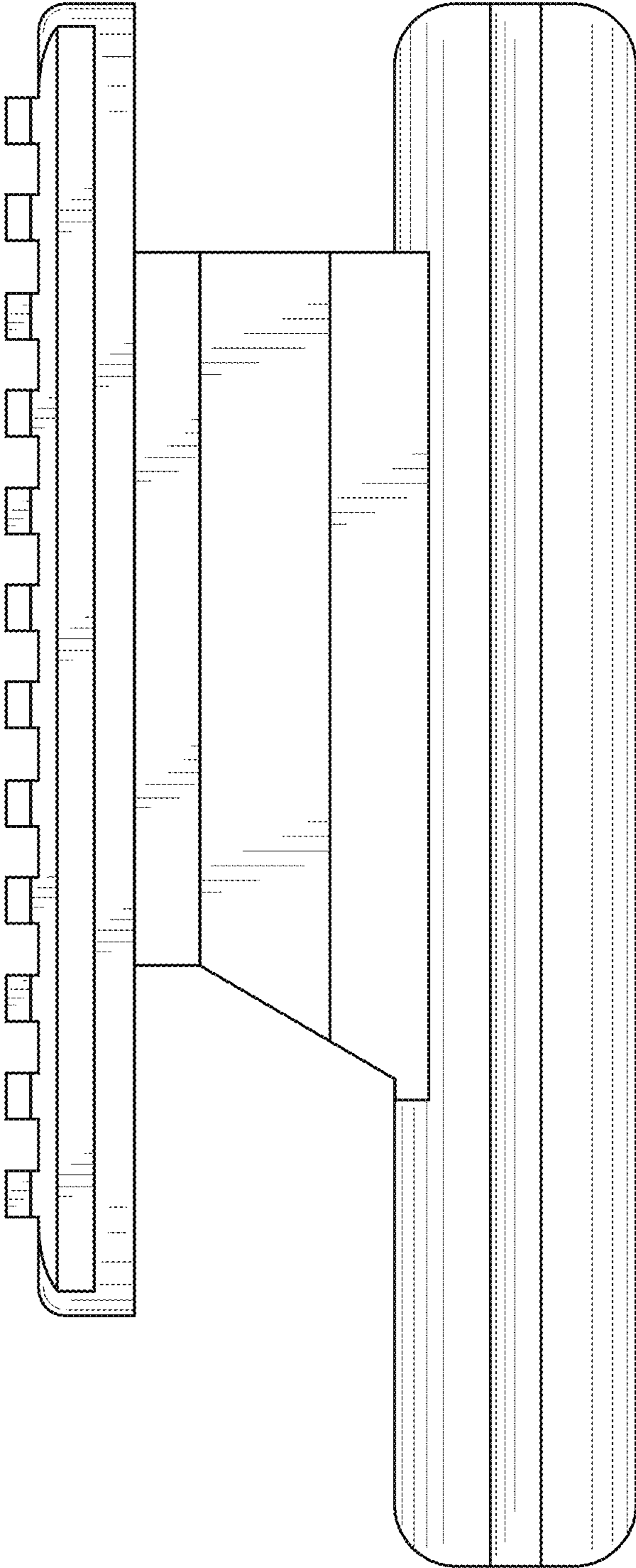
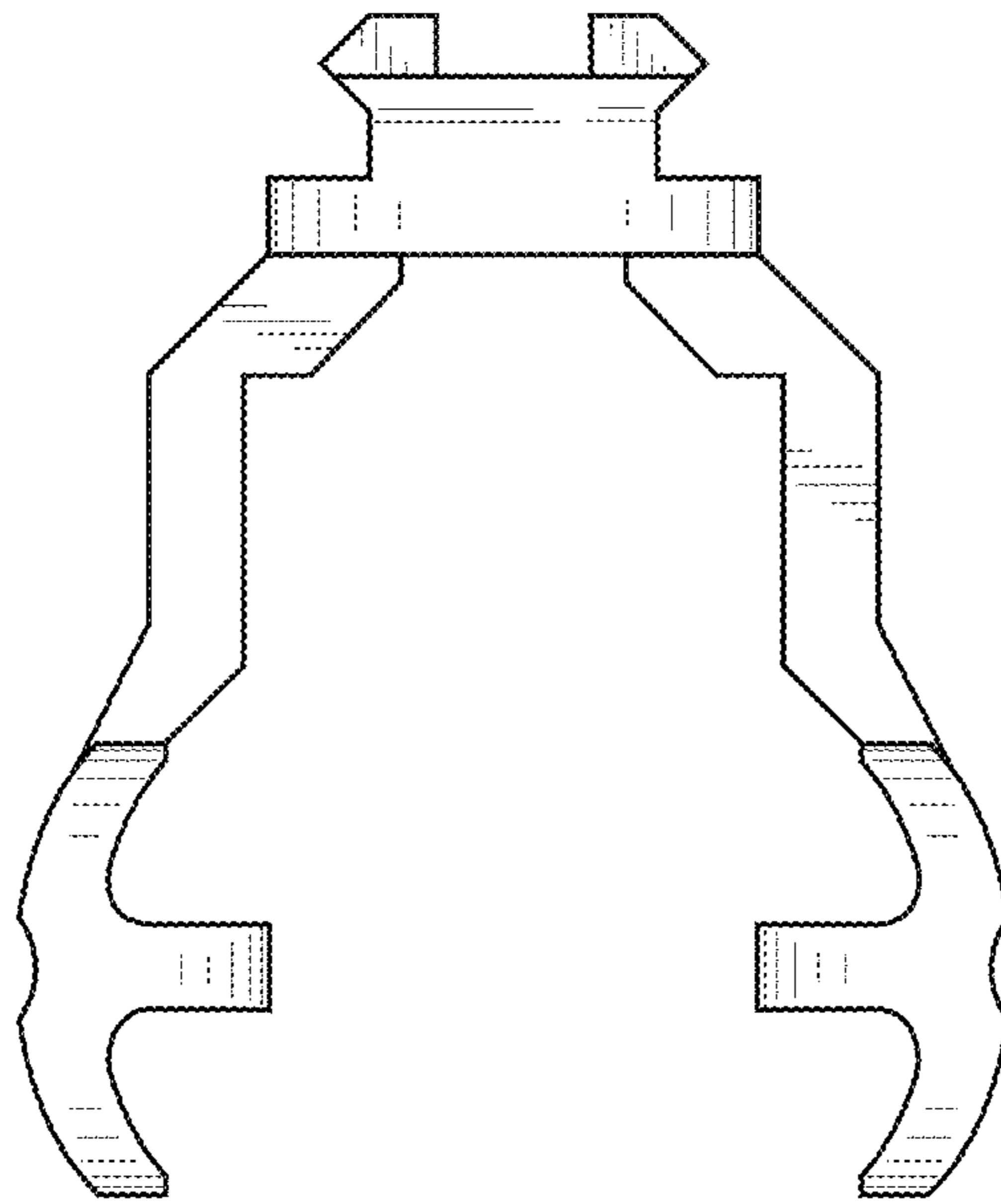
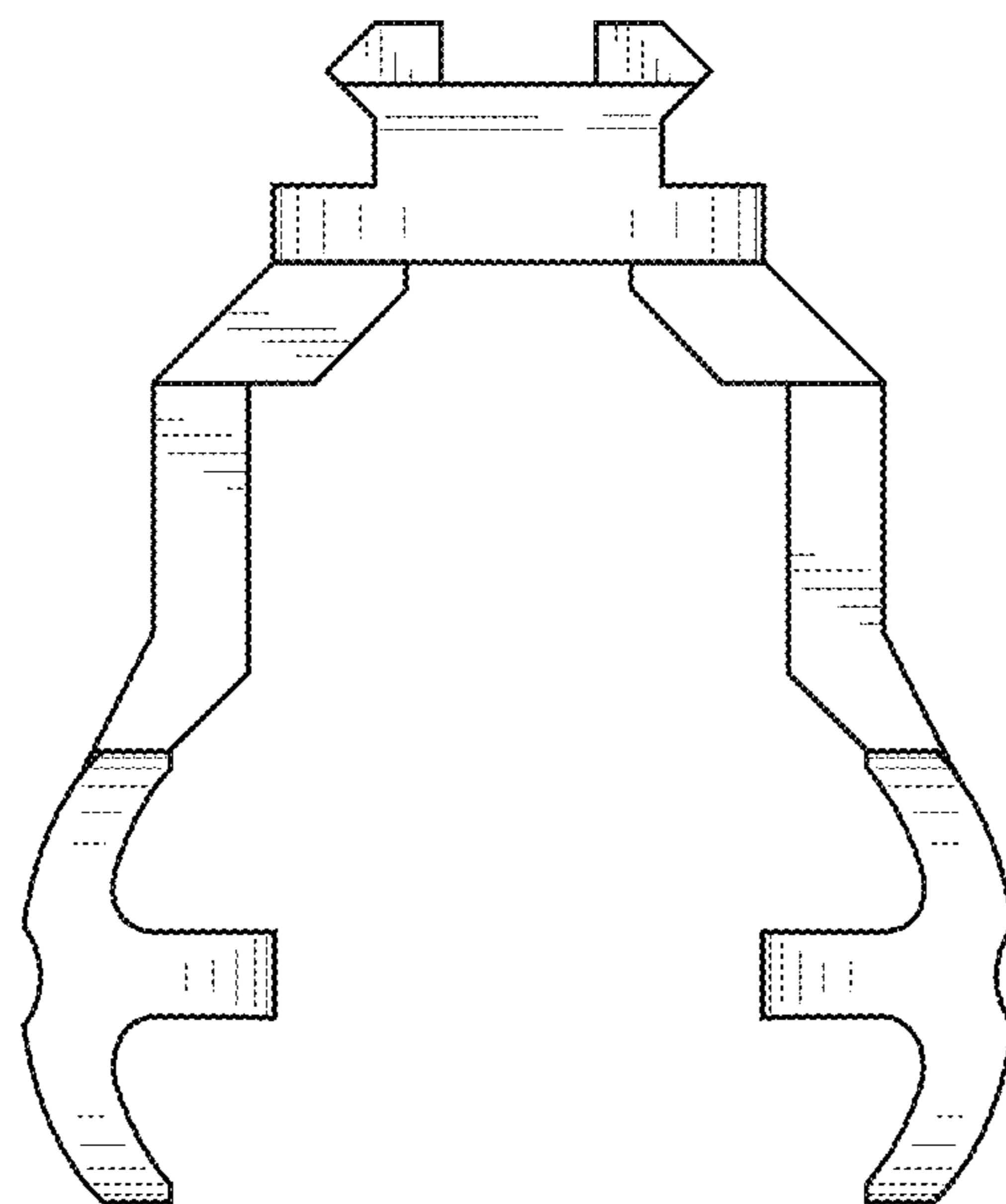


FIG. 3



**FIG. 4**



**FIG. 5**

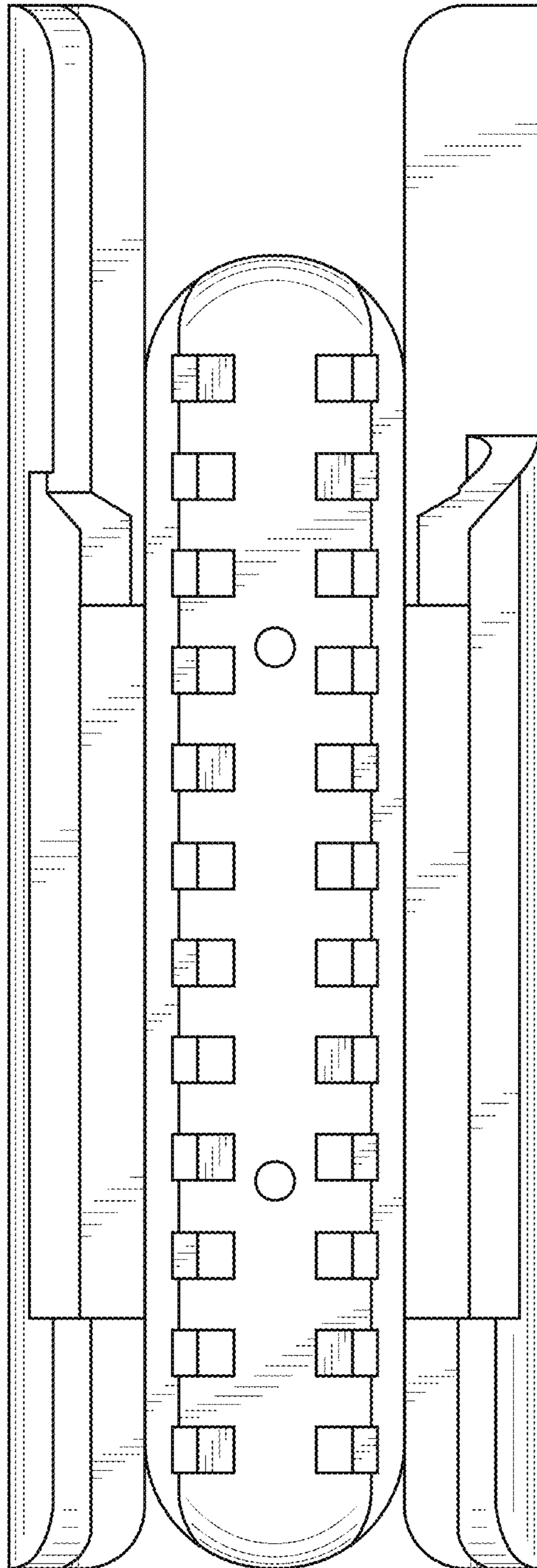


FIG. 6

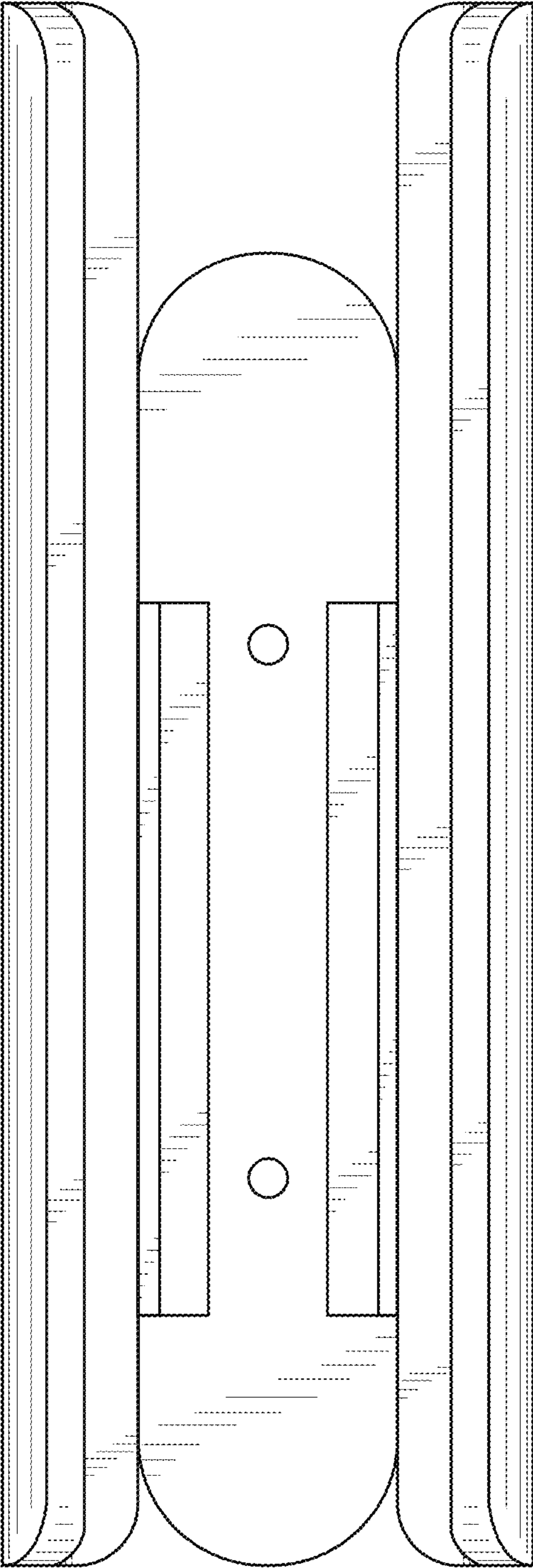


FIG. 7