



US00D787005S

(12) **United States Design Patent**
Capps et al.

(10) **Patent No.:** **US D787,005 S**
(45) **Date of Patent:** **** May 16, 2017**

(54) **FIREARM UPPER RECEIVER**

(71) Applicant: **Patriot Ordnance Factory, Inc.**,
Phoenix, AZ (US)

(72) Inventors: **John Capps**, Maricopa, AZ (US);
Frank L. DeSomma, Glendale, AZ
(US)

(73) Assignee: **PATRIOT ORDNANCE FACTORY,**
INC., Phoenix, AZ (US)

(**) Term: **15 Years**

(21) Appl. No.: **29/551,847**

(22) Filed: **Jan. 18, 2016**

(51) **LOC (10) Cl.** **22-01**

(52) **U.S. Cl.**
USPC **D22/108**

(58) **Field of Classification Search**
USPC D22/103, 108; D21/572-575; 42/71.01,
42/75.01, 75.02, 90, 94, 134, 136, 139,
42/125, 72, 111; 89/40.06, 41.19, 37.04,
89/33.04, 191.01, 200-204; 124/66, 67,
124/72, 74

CPC F41C 7/00; F41C 7/11; F41C 7/12; F41C
23/10; F41C 23/14; F41C 23/16; F41C
23/18; F41C 23/00; F41C 27/00; F41C
27/06; F41A 5/18; F41A 5/24; F41A
21/28

See application file for complete search history.

(56) **References Cited**

U.S. PATENT DOCUMENTS

1,290,853 A	1/1919	Sturgeon
1,352,414 A	9/1920	Payne
1,357,208 A	10/1920	Payne
1,402,459 A	1/1922	Gustaf
1,738,501 A	12/1929	Moore
1,789,835 A	1/1931	Pedersen
1,879,603 A	9/1932	Coupland

1,912,757 A	6/1933	Brump
2,102,622 A	12/1937	Green
2,110,165 A	3/1938	Moore
2,116,141 A	5/1938	Browning
2,124,075 A	7/1938	Moore
2,287,066 A	6/1942	Rogers
2,391,864 A	1/1946	Chandler
2,437,548 A	3/1948	William

(Continued)

OTHER PUBLICATIONS

Rainier Arms Forged Mil-Spec Upper Minus FA 9mm / .22 LR,
RainierArms.com, [online], [site visited Dec. 30, 2016]. <URL:
[https://www.rainierarms.com/rainier-arms-forged-mil-spec-upper-
minus-fa-22-lr](https://www.rainierarms.com/rainier-arms-forged-mil-spec-upper-minus-fa-22-lr)>.*

(Continued)

Primary Examiner — T. Chase Nelson

Assistant Examiner — Jonathan J Han

(74) *Attorney, Agent, or Firm* — Snell & Wilmer, L.L.P.

(57) **CLAIM**

The ornamental design of a firearm upper receiver, as shown
and described.

DESCRIPTION

FIG. 1 is a top left perspective view of a firearm upper
receiver;

FIG. 2 is a top right perspective view thereof;

FIG. 3 is a rear view thereof;

FIG. 4 is a front view thereof;

FIG. 5 is a top view thereof;

FIG. 6 is a bottom view thereof;

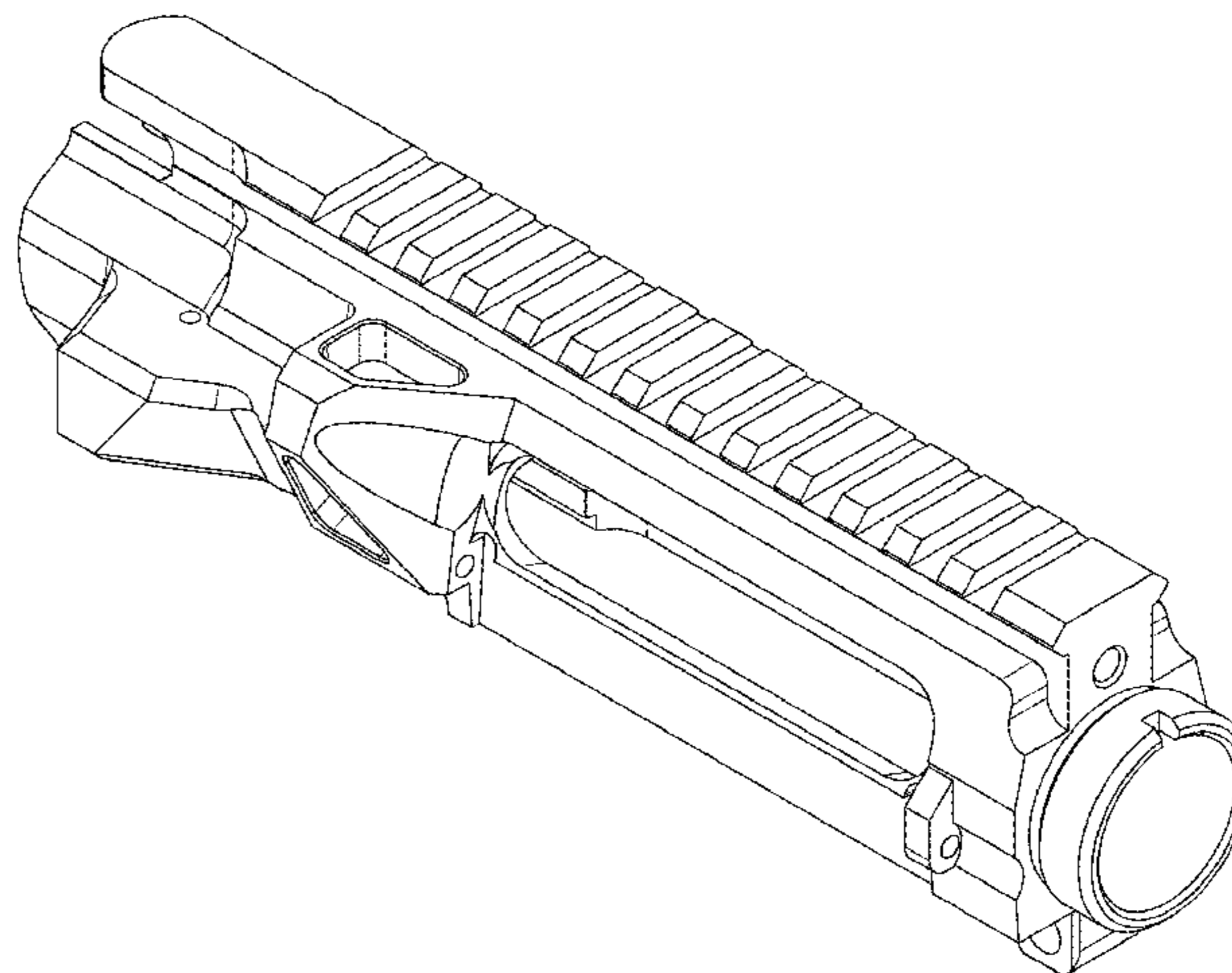
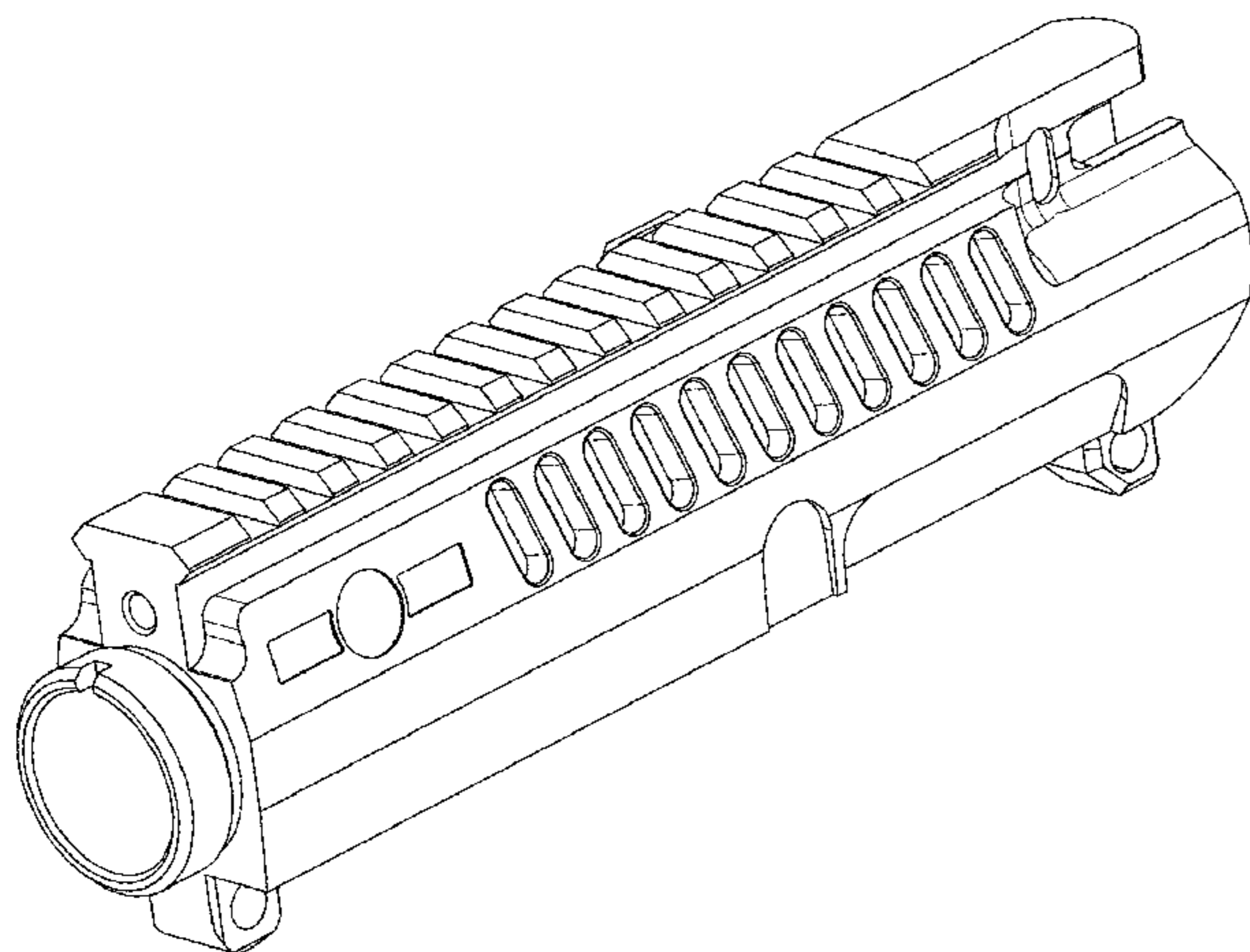
FIG. 7 is a right view thereof;

FIG. 8 is a left view thereof; and,

FIG. 9 is a perspective view of a firearm comprising the
firearm upper receiver.

The broken lines in the figures are for illustrating environ-
ment and unclaimed features and form no part of the claimed
design.

1 Claim, 8 Drawing Sheets



(56)

References Cited

U.S. PATENT DOCUMENTS

2,467,372 A	4/1949	De Permentier	7,316,091 B1	1/2008	Desomma
2,482,880 A	9/1949	Sefried	7,363,741 B2	4/2008	Desomma
2,570,292 A	10/1951	Umsted	7,418,898 B1	9/2008	Desomma
2,816,484 A	12/1957	Grages	7,421,937 B1	9/2008	Gangl
2,935,912 A	5/1960	Hartley	7,464,496 B1	12/2008	Davies
3,051,057 A	8/1962	Ivy	D590,473 S	4/2009	Fitzpatrick et al.
3,071,225 A	1/1963	Blau et al.	D593,617 S	6/2009	Dochterman
3,118,243 A	1/1964	Manshel	7,584,567 B1	9/2009	Desomma
3,455,204 A	7/1969	Stoner	7,600,338 B2	10/2009	Geissele
3,675,534 A	7/1972	Beretta	D604,793 S	11/2009	Fitzpatrick et al.
3,724,325 A	4/1973	Silsby	7,753,679 B1	7/2010	Schuetz
3,736,693 A	6/1973	Koch	7,784,211 B1	8/2010	Desomma
3,908,214 A	9/1975	Doloreto	D624,609 S	9/2010	Stein et al.
3,943,821 A	3/1976	Seifried	7,798,045 B1	9/2010	Fitzpatrick et al.
4,244,273 A	1/1981	Langendorfer	7,827,722 B1	11/2010	Davies
4,246,830 A	1/1981	Krieger	D629,062 S	12/2010	Peterson et al.
4,521,985 A	6/1985	Smith et al.	7,856,917 B2	12/2010	Noveske
4,536,982 A	8/1985	Bredbury	D630,698 S	1/2011	Peterson et al.
4,576,083 A	3/1986	Seberger	D631,933 S *	2/2011	Thompson D22/108
H107 H	8/1986	Bauer	7,891,284 B1	2/2011	Barrett
D285,236 S *	8/1986	Brunton D22/108	7,905,041 B1	3/2011	Davies
4,651,455 A	3/1987	Geiser	7,930,968 B2	4/2011	Giefing
4,658,702 A	4/1987	Tatro	D643,086 S	8/2011	Peterson et al.
4,663,875 A	5/1987	Tatro	D645,532 S	9/2011	Peterson et al.
4,759,144 A	7/1988	Egan et al.	8,056,460 B2	11/2011	Herring
4,765,224 A	8/1988	Morris	8,091,265 B1	1/2012	Teetzel
4,937,964 A	7/1990	Crandall	8,161,864 B1	4/2012	Vuksanovich
D329,078 S *	9/1992	Hasselbush D22/108	8,230,634 B1	7/2012	Davies
5,183,959 A	2/1993	McCoan et al.	8,261,653 B2	9/2012	Crommett
5,272,956 A	12/1993	Hudson	8,381,628 B1 *	2/2013	Wheatley F41A 3/72 42/43
5,343,650 A	9/1994	Swan	8,479,428 B1	7/2013	Desomma
5,351,598 A	10/1994	Schuetz	D708,693 S *	7/2014	Faxon D22/108
5,386,659 A	2/1995	Vaid et al.	D713,483 S *	9/2014	Firpo, I D22/108
5,479,737 A	1/1996	Osborne et al.	8,826,797 B2	9/2014	Overstreet
5,543,787 A	8/1996	Karidis et al.	D716,404 S	10/2014	Capps
5,551,179 A	9/1996	Young	8,863,637 B2	10/2014	Hall
5,590,484 A	1/1997	Mooney	8,869,674 B2	10/2014	Ruck
5,634,288 A	6/1997	Martel	D717,904 S *	11/2014	Oglesby D22/108
5,726,377 A	3/1998	Harris et al.	8,875,614 B2	11/2014	Gomez
5,770,814 A	6/1998	Ealovega	D720,032 S *	12/2014	Boutin D22/108
D399,914 S	10/1998	Walker	8,910,406 B1 *	12/2014	Huang F41A 3/66 42/16
5,827,992 A	10/1998	Harris et al.	8,978,282 B2	3/2015	Garrett
5,930,935 A	8/1999	Griffin	9,032,860 B2 *	5/2015	Faxon F41A 15/14 89/193
5,983,774 A	11/1999	Mihaita	D741,978 S *	10/2015	Shea D22/108
6,070,352 A	6/2000	Daigle	9,194,638 B2	11/2015	Larson et al.
6,113,285 A	9/2000	Ward	D745,621 S *	12/2015	Huang D22/108
6,209,250 B1	4/2001	Mills	D748,754 S *	2/2016	Chastain D22/108
6,217,205 B1	4/2001	Ward	D750,725 S	3/2016	Capps
D447,791 S	9/2001	Robidoux	9,303,949 B1 *	4/2016	Oglesby F41A 3/66
6,308,448 B1	10/2001	Kapusta et al.	D760,860 S *	7/2016	Vincent D22/108
6,345,460 B2	2/2002	Hashman	D763,397 S *	8/2016	Huang D22/108
6,347,474 B1	2/2002	Wolff	9,423,194 B2 *	8/2016	Fritz F41A 5/18
D462,105 S	8/2002	Myers	9,429,375 B2	8/2016	DeSomma
6,470,615 B1	10/2002	Peterken	D768,801 S *	10/2016	Morris D22/108
6,490,822 B1	12/2002	Swan	9,523,557 B2 *	12/2016	Sharron F41G 11/003
6,508,027 B1	1/2003	Kim	9,523,558 B2 *	12/2016	Visinski F41G 11/003
6,508,159 B1	1/2003	Muirhead	9,528,793 B1 *	12/2016	Oglesby F41C 23/16
D477,855 S	7/2003	Selvaggio	2003/0010186 A1	1/2003	Muirhead
6,606,812 B1	8/2003	Gwinn	2003/0010187 A1	1/2003	Muirhead
6,634,274 B1	10/2003	Herring	2004/0064994 A1	4/2004	Luke
6,681,677 B2	1/2004	Herring	2004/0226212 A1	11/2004	Shiloni
6,694,660 B1	2/2004	Davies	2005/0000142 A1	1/2005	Kim et al.
6,722,072 B1	4/2004	McCormick et al.	2005/0223613 A1	10/2005	Bender
6,722,255 B2	4/2004	Herring	2005/0241211 A1	11/2005	Swan
6,779,288 B1	8/2004	Kim	2005/0262752 A1	12/2005	Robinson et al.
6,827,130 B2	12/2004	Larson	2005/0262997 A1	12/2005	Brixius
6,839,998 B1	1/2005	Armstrong	2006/0010748 A1	1/2006	Stoner et al.
6,848,351 B1	2/2005	Davies	2006/0026883 A1	2/2006	Hochstrate et al.
6,854,206 B2	2/2005	Oz	2006/0236582 A1	10/2006	Lewis et al.
D504,168 S	4/2005	McCormick	2006/0265926 A1	11/2006	Sietsema
6,921,181 B2	7/2005	Yen	2006/0277810 A1	12/2006	Leitner-Wise
6,971,202 B2	12/2005	Bender	2007/0006509 A1	1/2007	Desomma
7,051,467 B1	5/2006	Huber	2007/0033851 A1	2/2007	Hochstrate et al.
7,131,228 B2	11/2006	Hochstrate et al.	2007/0051236 A1	3/2007	Groves et al.
D544,063 S	6/2007	Swan	2007/0079539 A1	4/2007	Karagias
			2007/0169393 A1	7/2007	Frost

(56)

References Cited

U.S. PATENT DOCUMENTS

2007/0180984 A1 8/2007 Huther
 2007/0199435 A1 8/2007 Hochstrate et al.
 2009/0223357 A1 9/2009 Herring
 2009/0313873 A1 12/2009 Roth
 2010/0000400 A1 1/2010 Brown
 2010/0319231 A1 12/2010 Stone et al.
 2010/0319527 A1 12/2010 Giefing
 2011/0000119 A1 1/2011 Desomma
 2011/0016762 A1 1/2011 Davies
 2011/0056107 A1 3/2011 Underwood
 2011/0214327 A1* 9/2011 Desomma F41A 3/66
 42/75.02
 2011/0271827 A1* 11/2011 Larson F41A 5/28
 89/193
 2012/0117845 A1 5/2012 Desomma
 2012/0167757 A1 7/2012 Gomez
 2012/0174451 A1* 7/2012 Overstreet F41A 35/06
 42/16
 2012/0297656 A1 11/2012 Langevin
 2013/0098235 A1 4/2013 Reinken
 2013/0174721 A1 7/2013 Langevin
 2013/0219763 A1* 8/2013 Nunes F41A 15/16
 42/16
 2013/0220295 A1 8/2013 Wood et al.
 2013/0227869 A1 9/2013 Thordsen
 2014/0000142 A1* 1/2014 Patel F41C 23/16
 42/14
 2014/0060312 A1 3/2014 Ruck
 2014/0075804 A1* 3/2014 Langevin F41C 23/16
 42/16
 2014/0076149 A1 3/2014 Adams
 2014/0224114 A1* 8/2014 Faxon F41A 15/14
 89/193
 2014/0260945 A1 9/2014 Desomma
 2014/0311007 A1 10/2014 Capps
 2014/0352191 A1* 12/2014 Fritz F41A 3/66
 42/75.03
 2015/0007476 A1 1/2015 Dextraze
 2015/0040455 A1* 2/2015 Lewis F41A 3/26
 42/75.02
 2015/0198409 A1 7/2015 Desomma
 2015/0226501 A1* 8/2015 Gibbens F41A 3/66
 42/16
 2015/0253091 A1 9/2015 Gardner
 2015/0330733 A1 11/2015 Desomma
 2015/0345879 A1* 12/2015 Jen F41G 11/003
 42/75.01
 2015/0362270 A1* 12/2015 Stewart F41A 3/72
 42/16
 2015/0369558 A1* 12/2015 Gottzmann F41C 23/18
 42/71.01
 2016/0178297 A1* 6/2016 Sharps F41A 3/66
 42/14
 2016/0209137 A1 7/2016 DeSomma
 2016/0209138 A1 7/2016 Desomma

OTHER PUBLICATIONS

Rainier Arms Forged A4 Upper Receiver-GEN2, RainierArms.com, [online], [site visited Dec. 30, 2016]. <URL: <https://www.rainierarms.com/rainier-arms-forged-a4-upper-receiver-gen2>>.*
 BCM M4 Upper Receiver Assembly, RainierArms.com, [online], [site visited Dec. 30, 2016]. <URL: <https://www.rainierarms.com/bcm-m4-upper-receiver-assembly>>.*
 Rainier Arms Forged Mil-Spec Upper Minus FA 1/LOGO, RainierArms.com, [online], [site visited Dec. 30, 2016]. <URL: <https://www.rainierarms.com/rainier-arms-forged-mil-spec-upper-minus-fa-w-logo>>.*
 NorthTech Defense Non Forward Assist AR15 Billet Upper Receiver, RainierArms.com, [online], [site visited Dec. 30, 2016]. <URL: <https://www.rainierarms.com/northtech-defense-non-forward-assist-ar15-billet-upper-receiver>>.*

SAA AR15 Stripped Flat Top Upper Receiver—No Mark, SurplusAmmo.com, [online], [site visited Dec. 30, 2016]. <URL: <http://www.surplusammo.com/saa-ar15-stripped-flat-top-upper-receiver-no-mark/>>.*
 Aero Precision Assembled AR-15 Upper Receiver with Port Door and Forward Assist, PrimaryArms.com, [online], [site visited Dec. 30, 2016]. <URL: <http://www.primaryarms.com/aero-precision-assembled-ar-15-upper-receiver-with-port-door-and-forward-assist-ap501603-assembly>>.*
 Anderson Manufacturing AR-15 Stripped Upper Receiver, PrimaryArms.com, [online], [site visited Dec. 30, 2016]. <URL: <http://www.primaryarms.com/anderson-manufacturing-ar-15-stripped-upper-receiver-ar15-a3-upfor-um>>.*
 Vltor MUR Modular Upper Receiver with Shell Deflector Only Assembled AR-15 Matte, MidwayUSA.com, [online], [site visited Dec. 30, 2016]. <URL: <http://www.midwayusa.com/product/478529/vltor-mur-modular-upper-receiver-with-shell-deflector-only-assembled-ar-15-matte>>.*
 LanTac USA LA00221 AR-15 UAR Stripped Upper Receiver 5.56mm Black, TombStoneTactical.com, [online], [site visited Dec. 13, 2016]. <URL: <https://www.tombstonetactical.com/catalog/lantac-usa/la00221-ar15-uar-stripped-upper-receiver-5.56mm-black>>.*
 AR15-A3 Stripped Upper Receiver, FrederickArms.com, [online], [site visited Dec. 30, 2016]. <URL: <https://www.frederickarms.com/ar15-a3-stripped-upper-receiver.html>>.*
 Upper Receiver AR-15, CrossHairCustoms.com, [online], [site visited Dec. 30, 2016]. <URL: <https://www.crosshaircustoms.com/product/ar-15-upper-receiver>>.*
 USPTO; Restriction Requirement dated Jul. 25, 2007 in U.S. Appl. No. 11/056,306.
 USPTO; Non-Final Office Action dated Oct. 10, 2007 in U.S. Appl. No. 11/056,306.
 USPTO; Notice of Allowance dated May 9, 2008 in U.S. Appl. No. 11/056,306.
 USPTO; Restriction Requirement dated Nov. 15, 2006 in U.S. Appl. No. 11/174,270.
 USPTO; Non-Final Office Action dated Mar. 15, 2007 in U.S. Appl. No. 11/174,270.
 USPTO; Final Office Action dated Sep. 26, 2007 in U.S. Appl. No. 11/174,270.
 USPTO; Notice of Allowance dated Jan. 14, 2008 in U.S. Appl. No. 11/174,270.
 USPTO; Non-Final Office Action dated Jan. 18, 2007 in U.S. Appl. No. 11/232,521.
 USPTO; Final Office Action dated Jun. 15, 2007 in U.S. Appl. No. 11/232,521.
 USPTO; Notice of Allowance dated Aug. 15, 2007 in U.S. Appl. No. 11/232,521.
 USPTO; Non-Final Office Action dated Apr. 29, 2008 in U.S. Appl. No. 11/442,035.
 USPTO; Notice of Allowance dated Sep. 30, 2008 in U.S. Appl. No. 11/442,035.
 USPTO; Non-Final Office Action dated Dec. 27, 2007 in U.S. Appl. No. 11/527,851.
 USPTO; Final Office Action dated Aug. 13, 2008 in U.S. Appl. No. 11/527,851.
 USPTO; Non-Final Office Action dated Mar. 3, 2009 in U.S. Appl. No. 11/527,851.
 USPTO; Final Office Action dated Sep. 1, 2009 in U.S. Appl. No. 11/527,851.
 USPTO; Notice of Allowance dated Mar. 29, 2013 in U.S. Appl. No. 11/527,851.
 USPTO; Non-Final Office Action dated Dec. 14, 2009 in U.S. Appl. No. 11/947,294.
 USPTO; Notice of Allowance dated May 5, 2010 in U.S. Appl. No. 11/947,294.
 USPTO; Non-Final Office Action dated Dec. 11, 2008 in U.S. Appl. No. 12/110,304.
 USPTO; Notice of Allowance dated May 29, 2009 in U.S. Appl. No. 12/110,304.
 USPTO; Non-Final Office Action dated Nov. 24, 2010 in U.S. Appl. No. 12/489,592.

(56)

References Cited

OTHER PUBLICATIONS

USPTO; Notice of Allowance dated Mar. 3, 2011 in U.S. Appl. No. 12/489,592.
USPTO; Non-Final Office Action dated Feb. 17, 2013 in U.S. Appl. No. 12/497,048.
USPTO; Non-Final Office Action dated Feb. 15, 2012 in U.S. Appl. No. 13/098,196.
USPTO; Final Office Action dated Jun. 11, 2012 in U.S. Appl. No. 13/098,196.
USPTO; Non-Final Office Action dated Feb. 21, 2012 in U.S. Appl. No. 13/105,893.
USPTO; Final Office Action dated Apr. 13, 2012 in U.S. Appl. No. 13/105,893.
USPTO; Advisory Action dated Apr. 26, 2012 in U.S. Appl. No. 13/105,893.
USPTO; Notice of Allowance dated Jun. 22, 2012 in U.S. Appl. No. 13/105,893.
USPTO; Non-Final Office Action dated Feb. 15, 2012 in U.S. Appl. No. 13/358,347.
USPTO; Non-Final Office Action dated Jun. 6, 2012 in U.S. Appl. No. 13/358,347.
USPTO; Non-Final Office Action dated Feb. 27, 2013 in U.S. Appl. No. 13/708,025.
USPTO; Final Office Action dated Sep. 26, 2013 in U.S. Appl. No. 13/708,025.
USPTO; Non-Final Office Action dated Dec. 17, 2013 in U.S. Appl. No. 13/835,842.
USPTO; Final Office Action dated Jun. 4, 2014 in U.S. Appl. No. 13/835,842.
USPTO; Non-Final Office Action dated Oct. 24, 2014 in U.S. Appl. No. 13/835,842.

USPTO; Final Office Action dated Jun. 18, 2015 in U.S. Appl. No. 13/835,842.
USPTO; Non-Final Office Action dated Jan. 5, 2016 in U.S. Appl. No. 13/835,842.
USPTO; Final Office Action dated Jun. 1, 2016 in U.S. Appl. No. 13/835,842.
USPTO; Non-Final Office Action dated Jan. 29, 2015 in U.S. Appl. No. 14/216,733.
USPTO; Final Office Action dated Jul. 16, 2015 in U.S. Appl. No. 14/216,733.
USPTO; Non-Final Office Action dated Jan. 14, 2016 in U.S. Appl. No. 14/527,698.
USPTO; Notice of Allowance dated Apr. 25, 2016 in U.S. Appl. No. 14/527,698.
USPTO; Non-Final Office Action dated Aug. 17, 2015 in U.S. Appl. No. 14/596,018.
USPTO; Non-Final Office Action dated Jun. 23, 2016 in U.S. Appl. No. 15/002,096.
USPTO; Non-Final Office Action dated Jun. 22, 2016 in U.S. Appl. No. 15/002,382.
USPTO; Restriction Requirement dated Apr. 24, 2014 in U.S. Appl. No. 29/449,556.
USPTO; Notice of Allowance dated Jul. 7, 2014 in U.S. Appl. No. 29/449,556.
USPTO; Notice of Allowance dated Oct. 13, 2015 in U.S. Appl. No. 29/502,433.
POF-USA Patriot Ordnance Factory, Inc., Upper Receiver web page, Retrieved from <http://web.archive.org/web/20100922070336/http://www.pof-usa.com/upper/upperreceiver.html>[Sep. 17, 2012 9:19:17 AM].

* cited by examiner

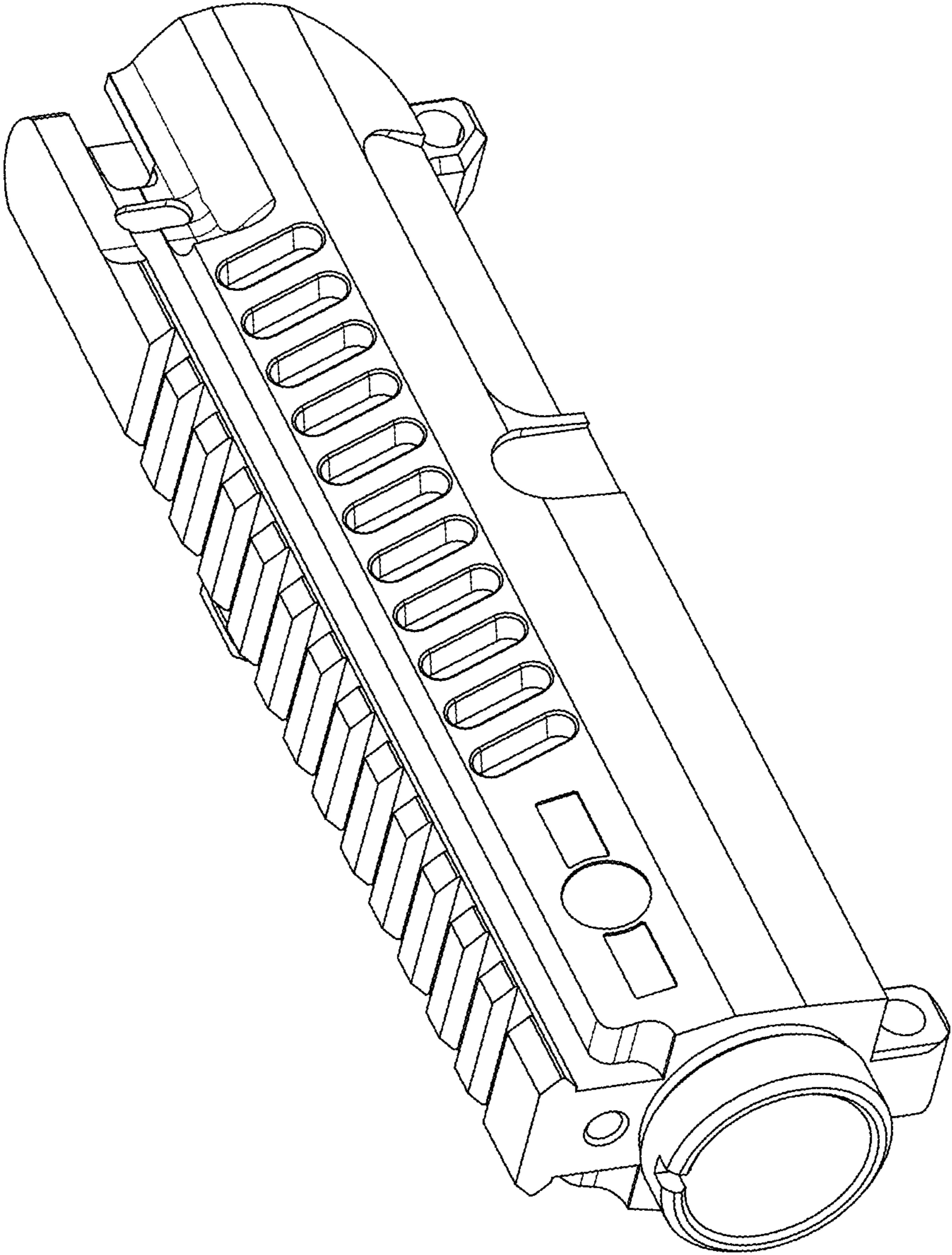


FIG. 1

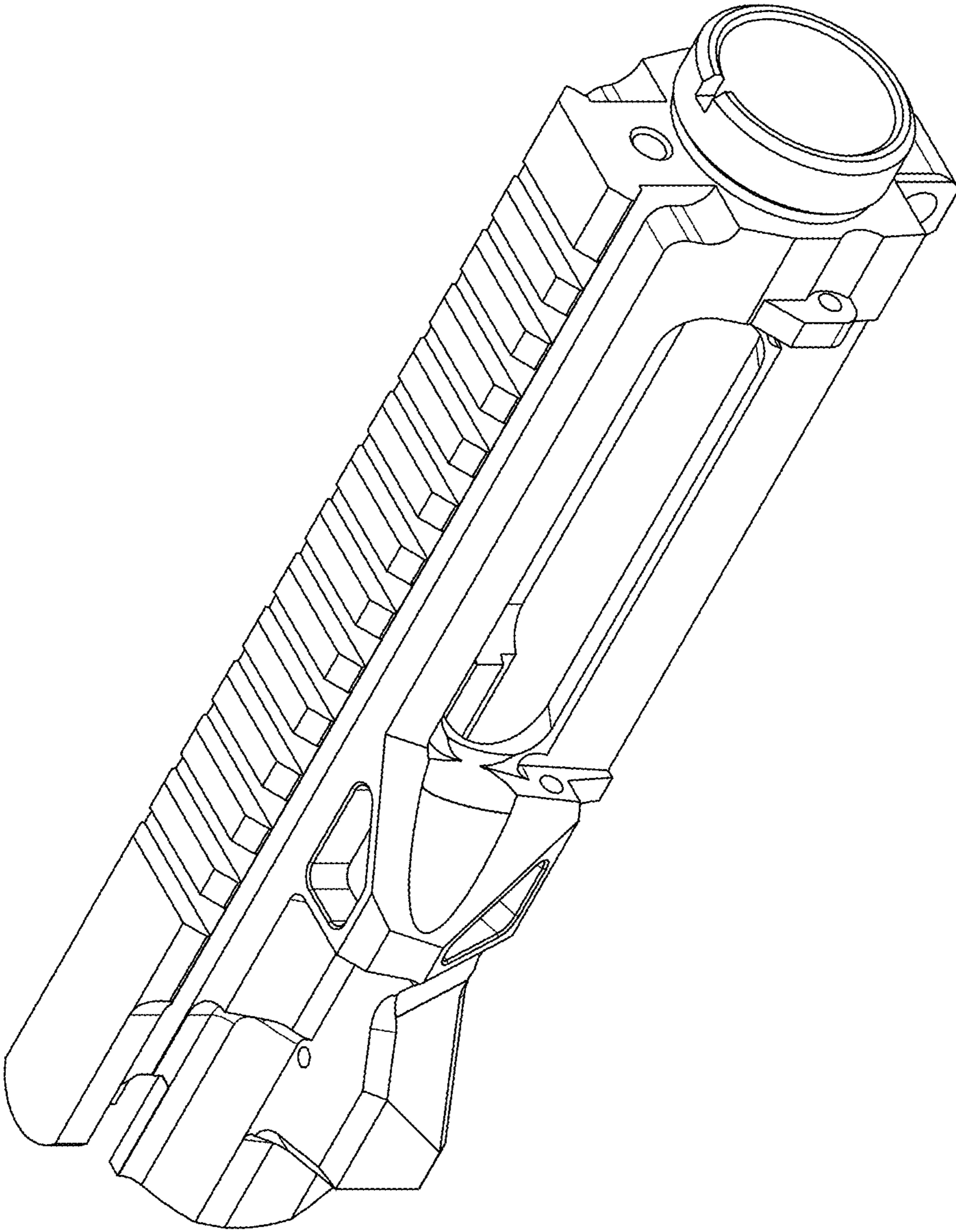


FIG. 2

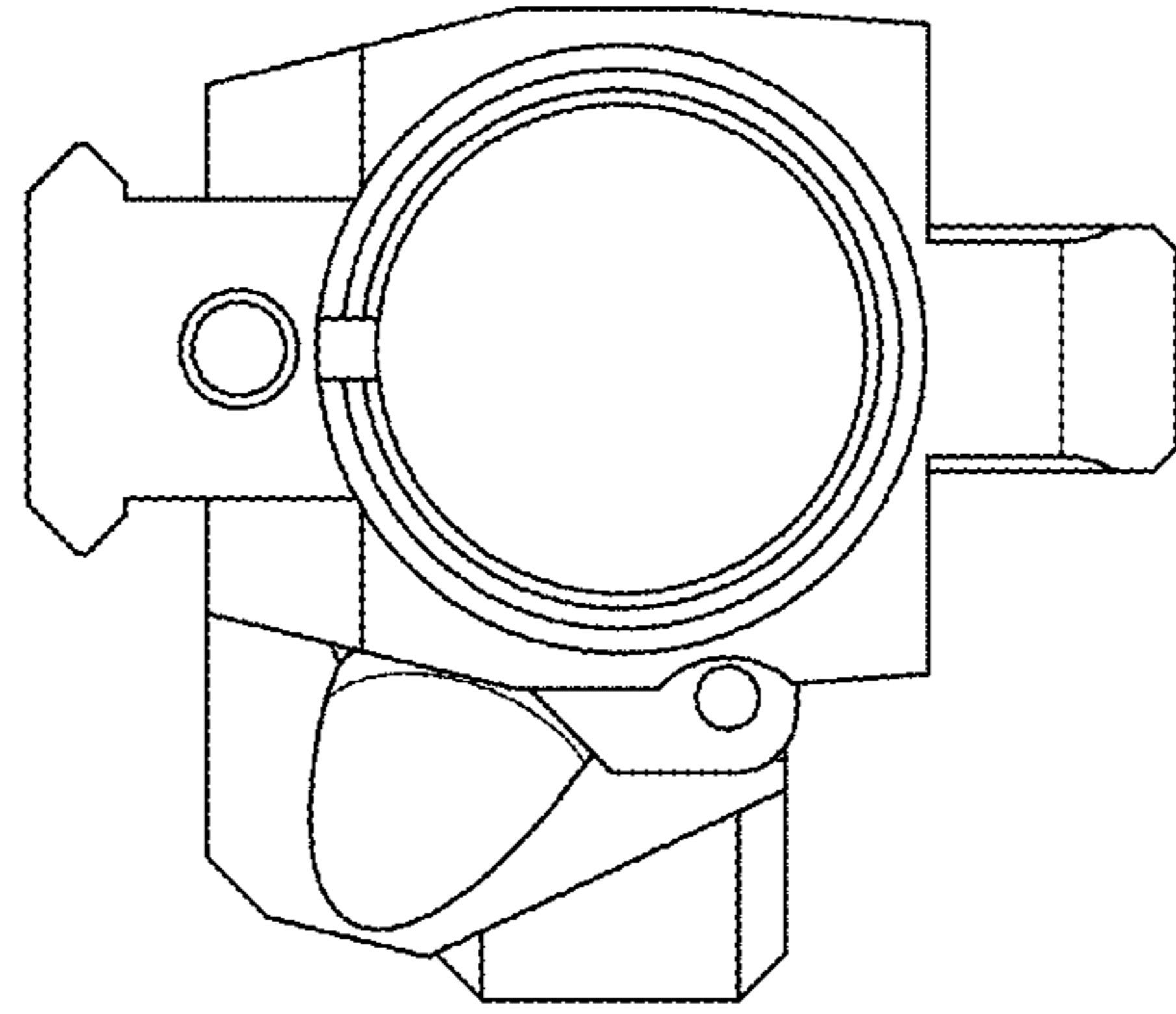


FIG. 4

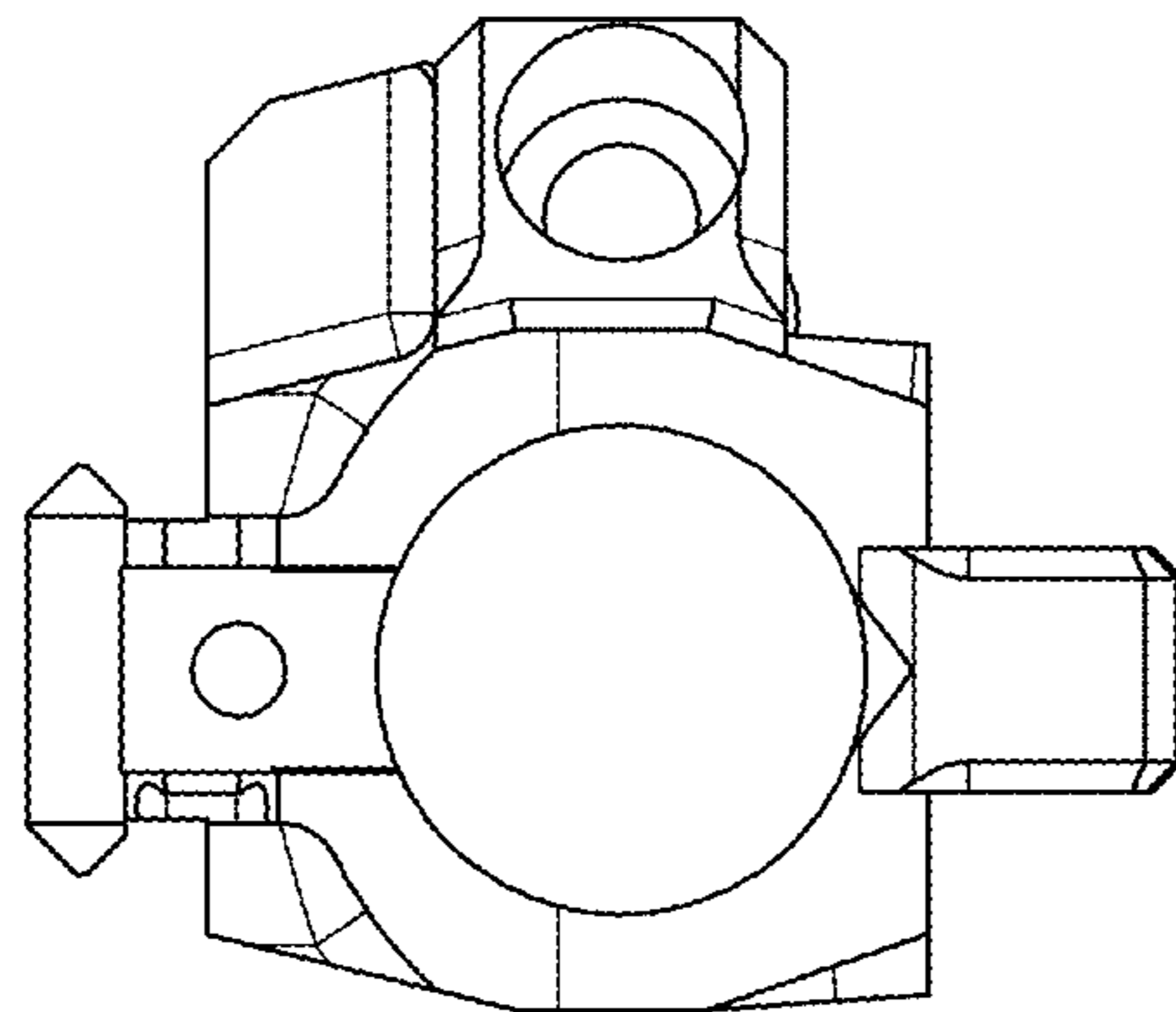


FIG. 3

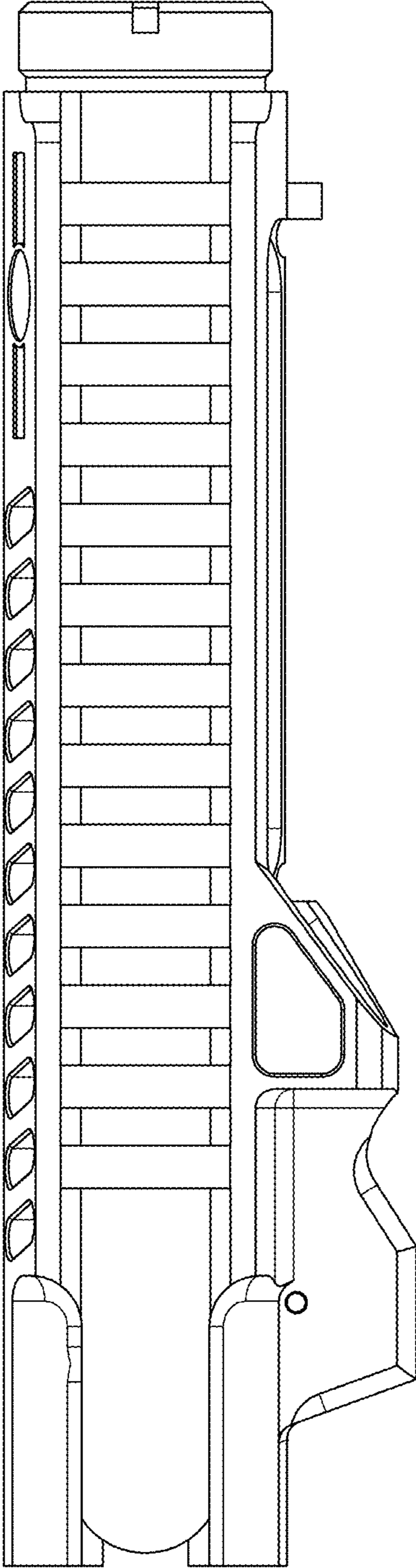


FIG. 5

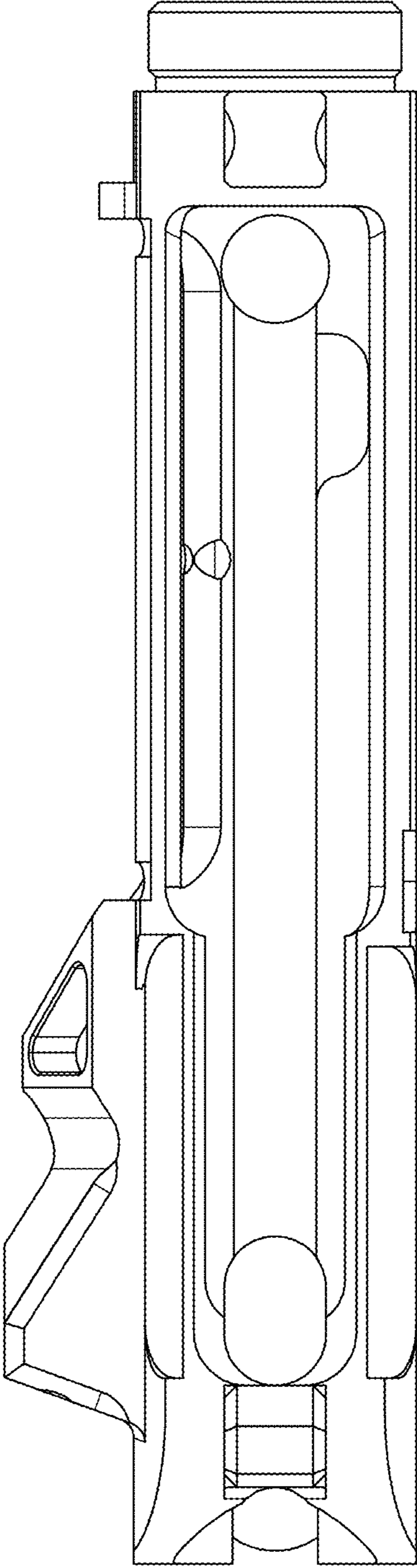


FIG. 6

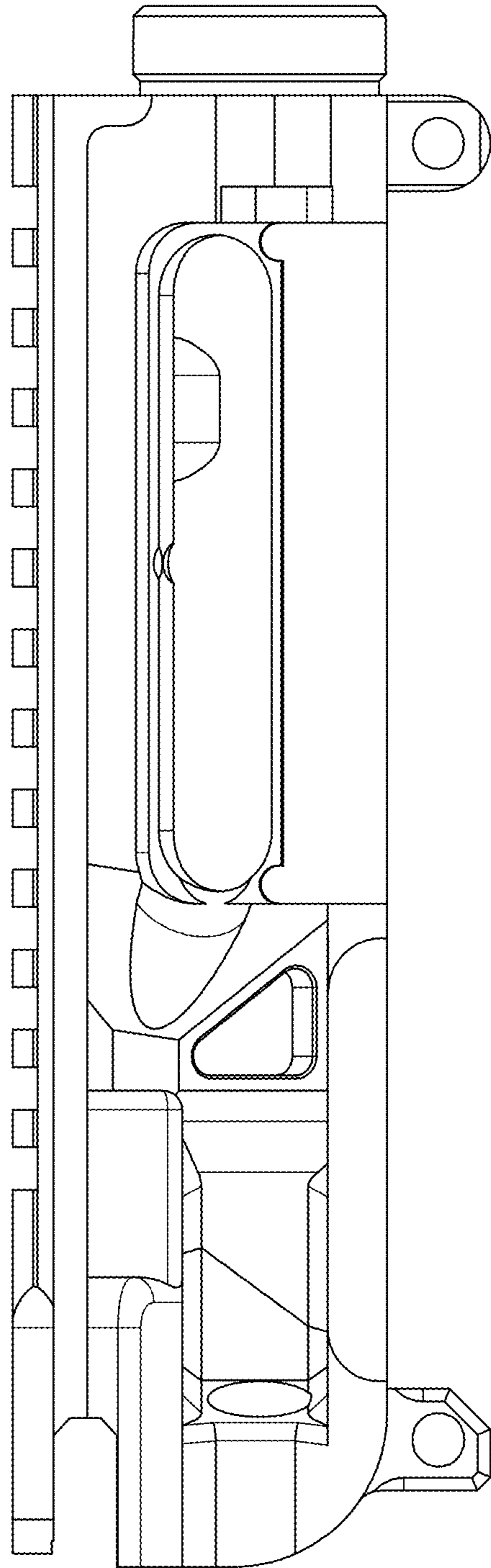


FIG. 7

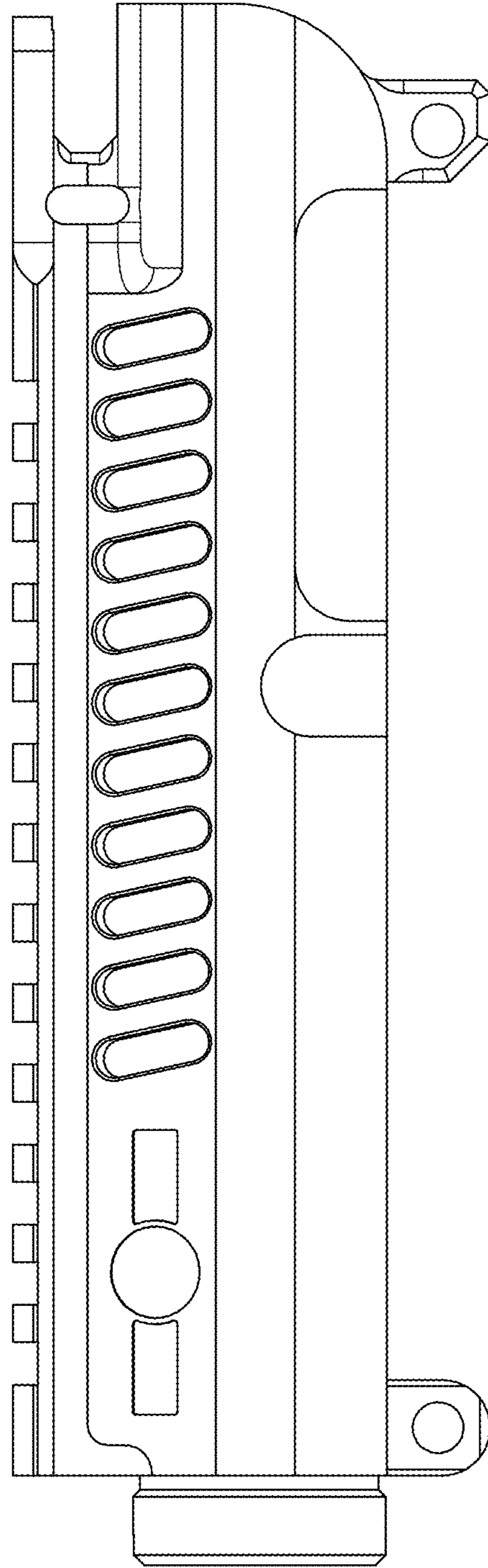


FIG. 8

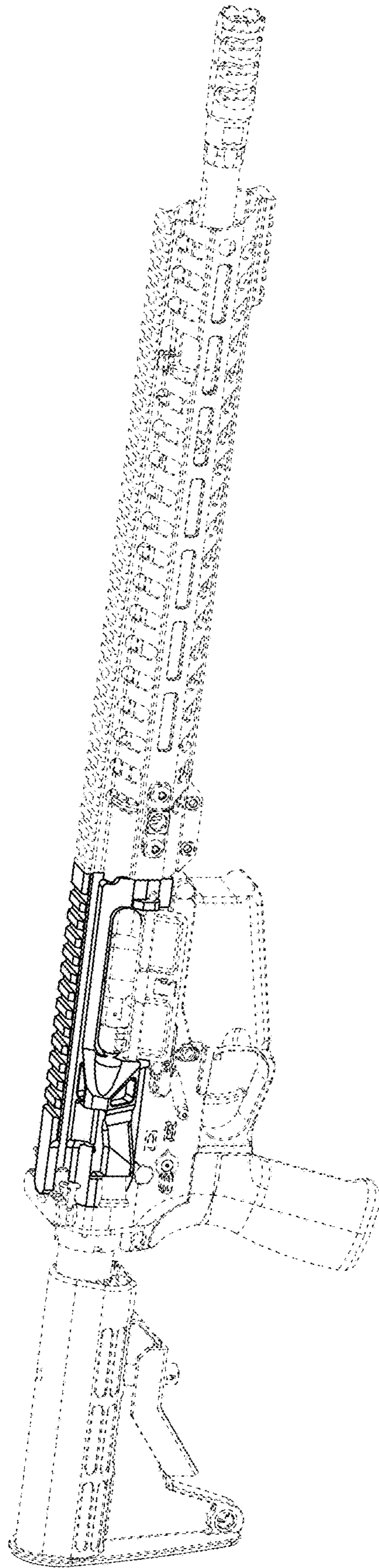


FIG. 9