



US00D787003S

(12) **United States Design Patent** (10) **Patent No.:** **US D787,003 S**  
**Spector et al.** (45) **Date of Patent:** **\*\* May 16, 2017**

(54) **HANDGUARD**

- (71) Applicant: **Radical Firearms, LLC**, Stafford, TX (US)
- (72) Inventors: **David Morris Spector**, Missouri City, TX (US); **Philip Brent Middleton**, Sugar Land, TX (US)
- (73) Assignee: **Radical Firearms, LLC**, Stafford, TX (US)
- (\*\*) Term: **15 Years**
- (21) Appl. No.: **29/551,009**
- (22) Filed: **Jan. 8, 2016**
- (51) **LOC (10) Cl.** ..... **22-01**
- (52) **U.S. Cl.**  
USPC ..... **D22/108**
- (58) **Field of Classification Search**  
USPC ..... D22/108, 104; D21/571-575; D8/68  
CPC ..... F41C 23/10; F41C 23/14; F41C 23/16;  
F41C 23/18  
See application file for complete search history.

(56) **References Cited**

**U.S. PATENT DOCUMENTS**

D590,473 S *	4/2009	Fitzpatrick	.....	D22/103
D604,793 S *	11/2009	Fitzpatrick	.....	D22/108
D607,958 S	1/2010	Swan		
D613,811 S *	4/2010	Swan	.....	D22/108
D616,520 S	5/2010	Starnes		
D616,521 S *	5/2010	Starnes	.....	D22/108
D639,376 S	6/2011	Ding		
D641,450 S *	7/2011	Ding	.....	D22/108
8,607,490 B1 *	12/2013	Zinsner	.....	F41C 23/16 42/71.01
D703,286 S	4/2014	Chen et al.		
8,726,558 B1 *	5/2014	Nason	.....	F41G 11/003 42/71.01
D709,502 S	7/2014	Shen		
D709,582 S *	7/2014	Geissele	.....	D22/108

(Continued)

**OTHER PUBLICATIONS**

RF Upper 10.5" 5.56 M4 Profile RF Quad Rail FQR 10" Rail, RadicalFirearms.com, [online], [site visited Dec. 28, 2016]. <URL: <http://www.radicalfirearms.com/product-p/fu10.5-5.56m4-10fqr.htm>>.\*

(Continued)

*Primary Examiner* — T. Chase Nelson

*Assistant Examiner* — Jonathan J Han

(74) *Attorney, Agent, or Firm* — Patterson & Sheridan, L.L.P.

(57) **CLAIM**

The ornamental design for a handguard, as shown and described.

**DESCRIPTION**

FIG. 1 is an isometric view of a handguard positioned about a barrel assembly of an auto-loading firearm.

FIG. 2 is an elevation view of one end of the handguard of FIG. 1, the other end being identical.

FIG. 3 is an elevation view of one side of the handguard of FIG. 1, the other side being identical.

FIG. 4 is a top plan view of the handguard of FIG. 1.

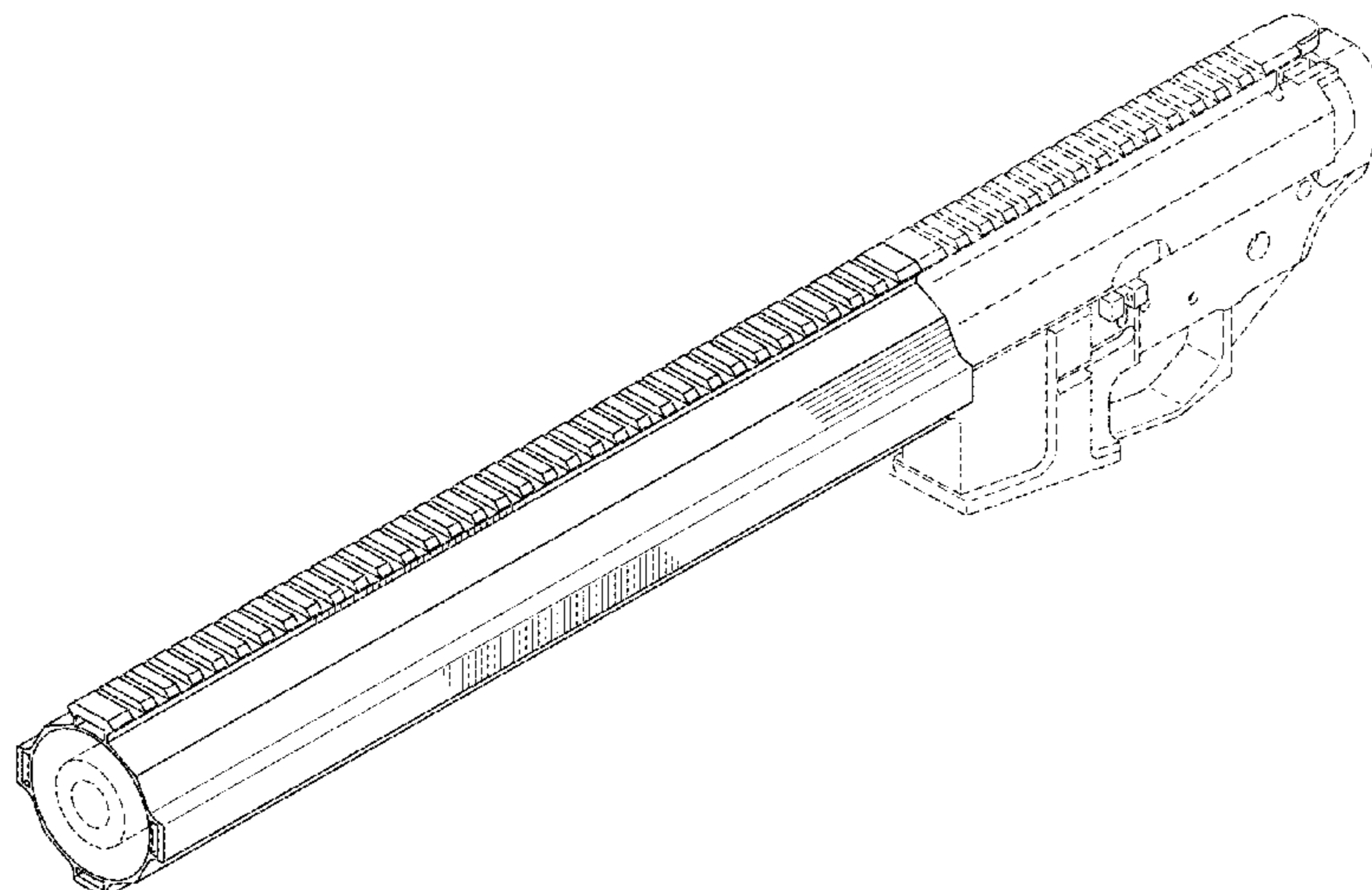
FIG. 5 is a bottom plan view of the handguard of FIG. 1.

FIG. 6 is a cross-sectional elevation view of the handguard along lines 6-6 of FIG. 3.

FIG. 7 is a cross-sectional side view of the handguard along lines 7-7 of FIG. 2, the other side being a mirror image; and, FIG. 8 is a cross-sectional side view of the handguard along lines 8-8 of FIG. 2, the other side being a mirror image.

The broken lines in the figures are used to illustrate environment and unclaimed parts and form no part of the claimed design.

**1 Claim, 5 Drawing Sheets**



(56)

References Cited

U.S. PATENT DOCUMENTS

D710,964 S \* 8/2014 Chvala ..... D22/108  
 D713,484 S 9/2014 Firpo et al.  
 8,863,426 B1 \* 10/2014 Zinsner ..... F41C 23/16  
 42/71.01  
 D717,908 S \* 11/2014 Montes ..... D22/108  
 D720,421 S \* 12/2014 Chen ..... D22/108  
 8,904,691 B1 \* 12/2014 Kincel ..... F41C 23/16  
 42/71.01  
 D721,407 S 1/2015 Chu  
 8,931,196 B1 \* 1/2015 Larue ..... F41A 11/04  
 42/71.01  
 D724,171 S \* 3/2015 Trusty ..... D22/108  
 9,127,906 B2 9/2015 Wells et al.  
 D747,428 S \* 1/2016 Chen ..... D22/108  
 D748,754 S \* 2/2016 Chastain ..... D22/108  
 D750,192 S 2/2016 Silvers et al.  
 D751,663 S 3/2016 Ding et al.  
 D752,170 S \* 3/2016 Koutn ..... D22/108  
 D752,171 S \* 3/2016 Chen ..... D22/108  
 9,273,926 B2 \* 3/2016 Wood ..... F41G 11/003  
 D757,201 S \* 5/2016 Meier ..... D22/108  
 9,389,043 B1 \* 7/2016 Zhang ..... F41C 23/16  
 9,464,866 B1 \* 10/2016 Liang ..... F41C 23/16  
 2010/0162604 A1 \* 7/2010 Dubois ..... F41A 21/482  
 42/18  
 2010/0319231 A1 \* 12/2010 Stone ..... F41C 23/16  
 42/71.01  
 2012/0036756 A1 \* 2/2012 Brown ..... F41A 3/66  
 42/71.01  
 2012/0124880 A1 \* 5/2012 Leclair ..... F41A 21/484  
 42/71.01  
 2013/0068089 A1 \* 3/2013 Brown ..... F41A 5/18  
 89/193  
 2014/0013642 A1 \* 1/2014 Larson, Jr. .... F41C 23/16  
 42/71.01  
 2014/0026459 A1 \* 1/2014 Yan ..... F41C 23/16  
 42/71.01  
 2014/0075804 A1 \* 3/2014 Langevin ..... F41C 23/16  
 42/16  
 2014/0130390 A1 \* 5/2014 Geissele ..... F41C 23/16  
 42/71.01  
 2014/0224114 A1 \* 8/2014 Faxon ..... F41A 15/14  
 89/193

2014/0373419 A1 \* 12/2014 Leclair ..... F41C 23/16  
 42/71.01  
 2015/0007476 A1 \* 1/2015 Dextraze ..... F41G 11/003  
 42/71.01  
 2015/0040455 A1 \* 2/2015 Lewis ..... F41A 3/26  
 42/75.02  
 2015/0090105 A1 4/2015 Pace  
 2015/0226501 A1 \* 8/2015 Gibbens ..... F41A 3/66  
 42/16  
 2015/0316347 A1 \* 11/2015 Shea ..... F41C 23/16  
 42/75.02  
 2016/0010946 A1 \* 1/2016 Gibbens ..... F41G 11/003  
 42/71.01  
 2016/0209162 A1 \* 7/2016 Geissele ..... F41C 27/22

OTHER PUBLICATIONS

RF 10.5" M4 5.56MM Radical Rail Upper Assembly, RadicalFirearms.com, [online], [site visited Dec. 28, 2016]. <URL: <http://www.radicalfirearms.com/product-p/fu10.5-5.56m4-9fhr.htm>>.\*  
 RA-901 AR-15 Slimline Handguard, RiseArmament.com, [online], [site visited Dec. 28, 2016]. <URL: <http://www.risearmament.com/RA-901-Slimline-Handguard>>.\*  
 PWS 15" Handguard KeyMod AR15 Primary Weapons AR-15 Forearm, VTSupply.com, [online], [site visited Dec. 28, 2016]. <URL: <http://vtsupply.com/pws-15-handguard-keymod-ar15-primary-weapons-ar-15-forearm.html>>.\*  
 AR-15 Quad Rail Handguard—15 inch | Free Float | Black, MonstrumTactical.com, [online], [site visited Dec. 28, 2016]. <URL: <https://monstrumtactical.com/collections/free-float-quad-rail-handguards-ar-15/products/ar-15-quad-rail-15-inch-free-float-black>>.\*  
 2A Armament BL-Rail M-Lok 10" Handguard Black, [online], [site visited Dec. 28, 2016]. <URL: <http://deserttacticalsolutions.com/2a-armament-blrail-mlok-10-handguard-black-p20405.html?zenid=c76ff206ce9a8466186630de2c994cf8>>.\*  
 Omega Mfg Inc 15" Super Ultra Slim Keymod Ar 15 Handguard Rail Steel Barrel Nut, DeltaTeamTactical.com, [online], [site visited Dec. 28, 2016]. <URL: [https://www.deltateamtactical.com/Omega-Mfg-Inc-15-Super-Ultra-Slim-Keymod-Ar-15-Handguard-Rail-Steel-Barrel-Nut\\_p\\_4383.html](https://www.deltateamtactical.com/Omega-Mfg-Inc-15-Super-Ultra-Slim-Keymod-Ar-15-Handguard-Rail-Steel-Barrel-Nut_p_4383.html)>.\*

\* cited by examiner



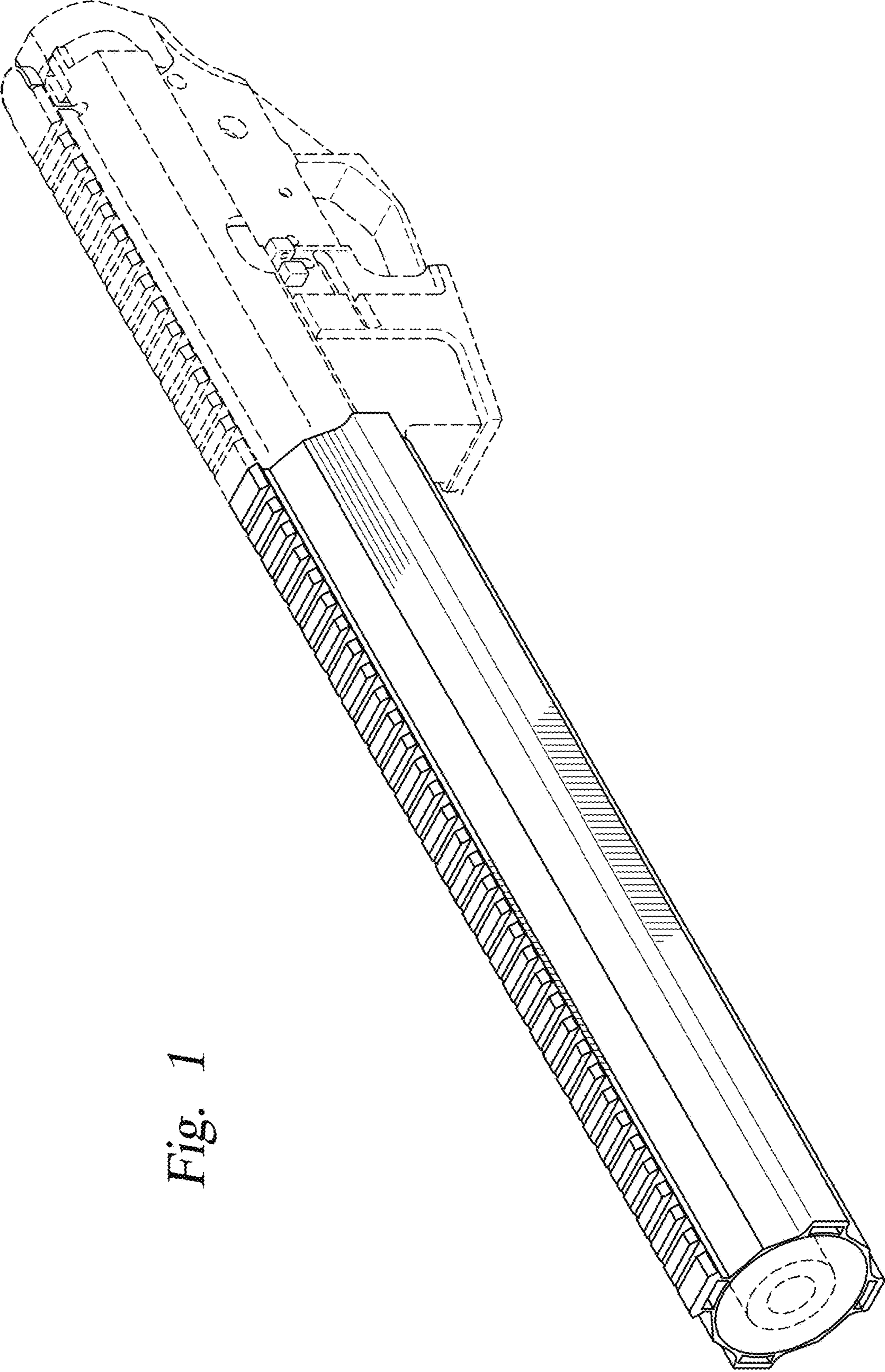


Fig. 1

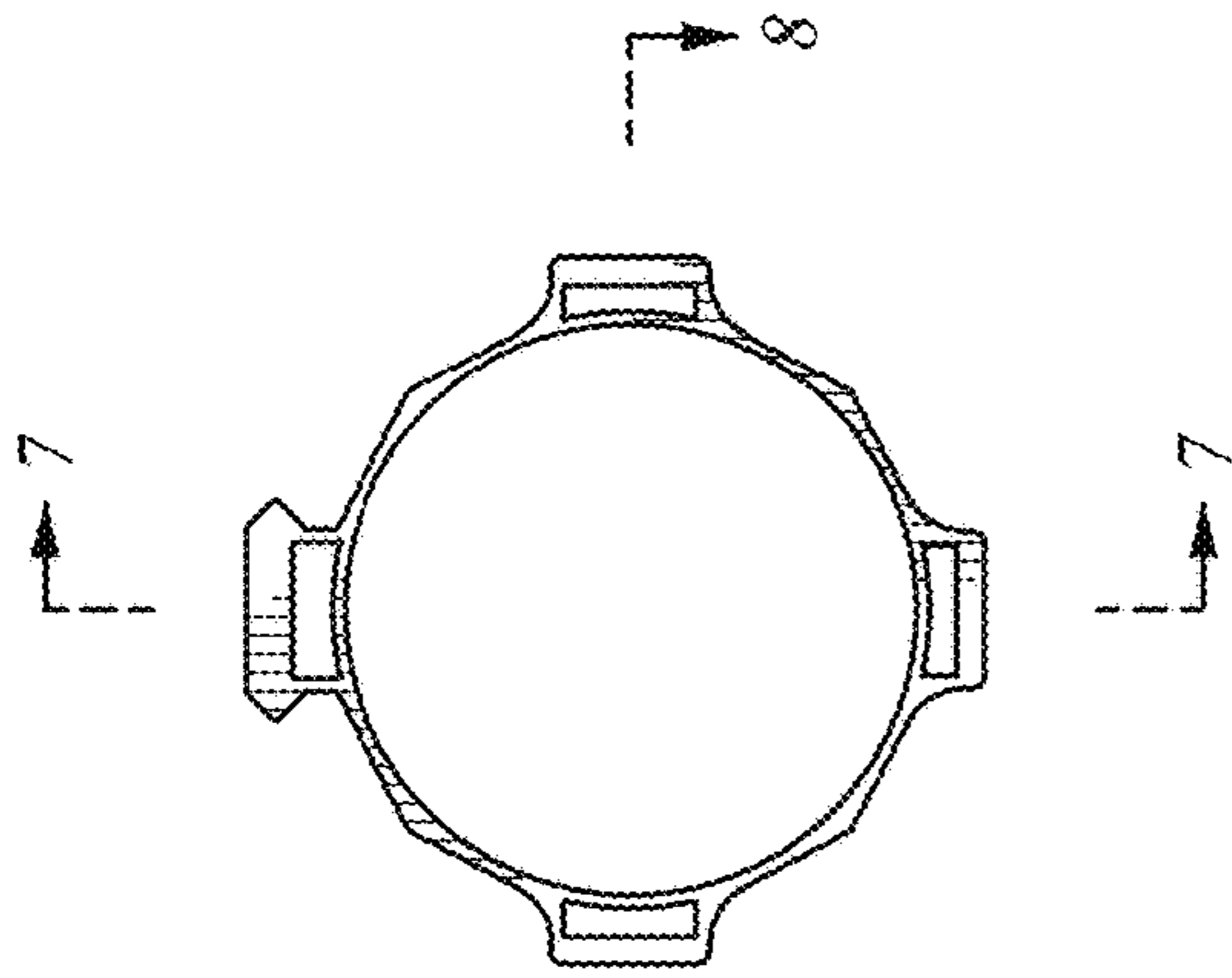


Fig. 2

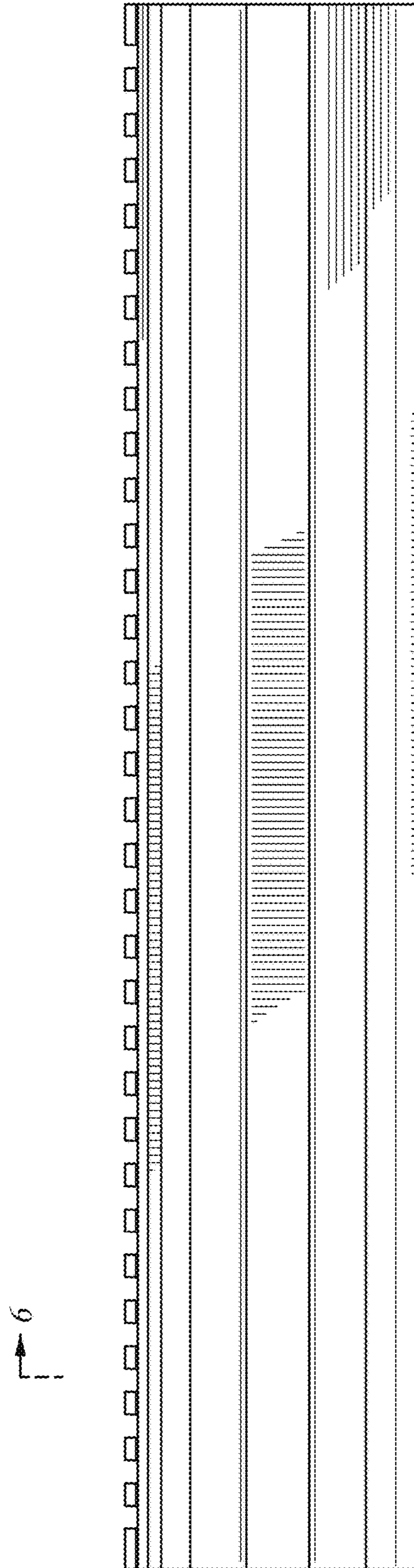
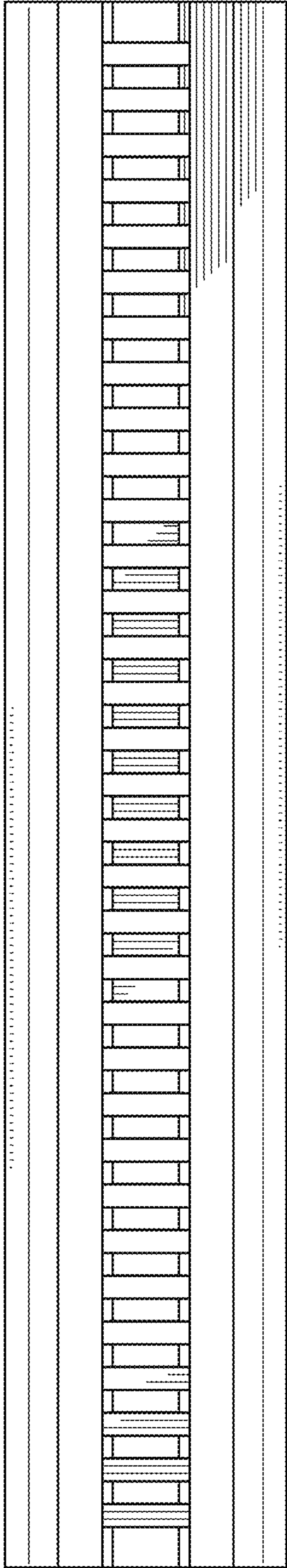
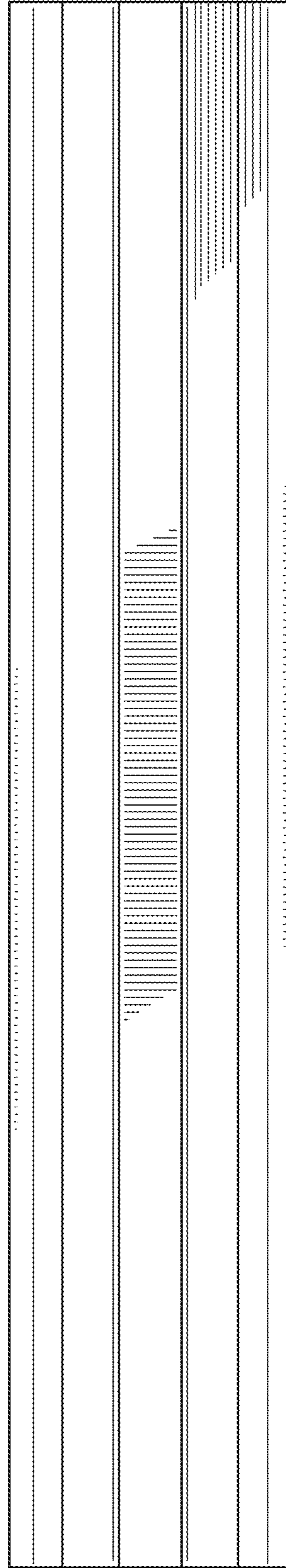


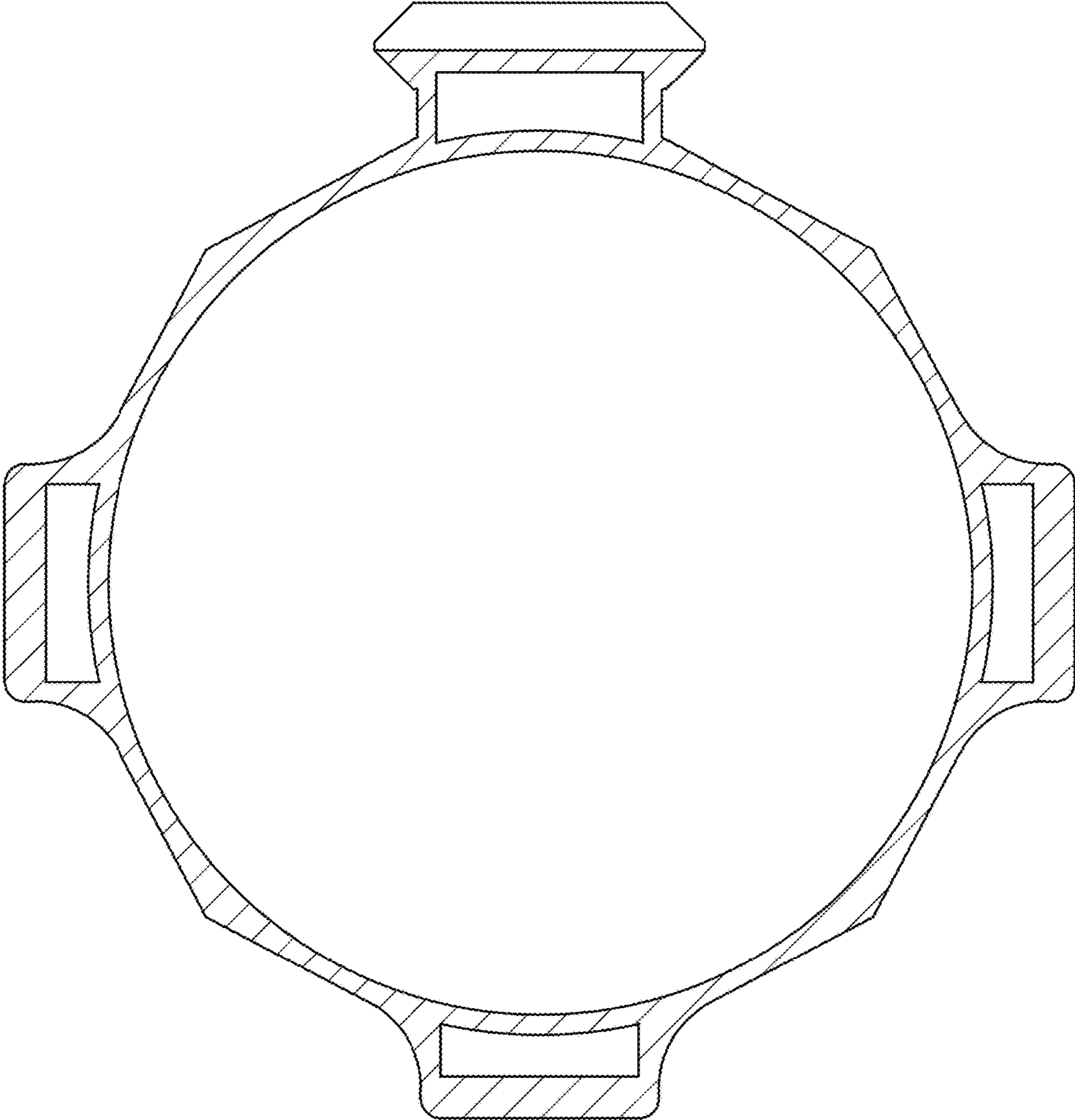
Fig. 3



*Fig. 4*



*Fig. 5*



*Fig. 6*



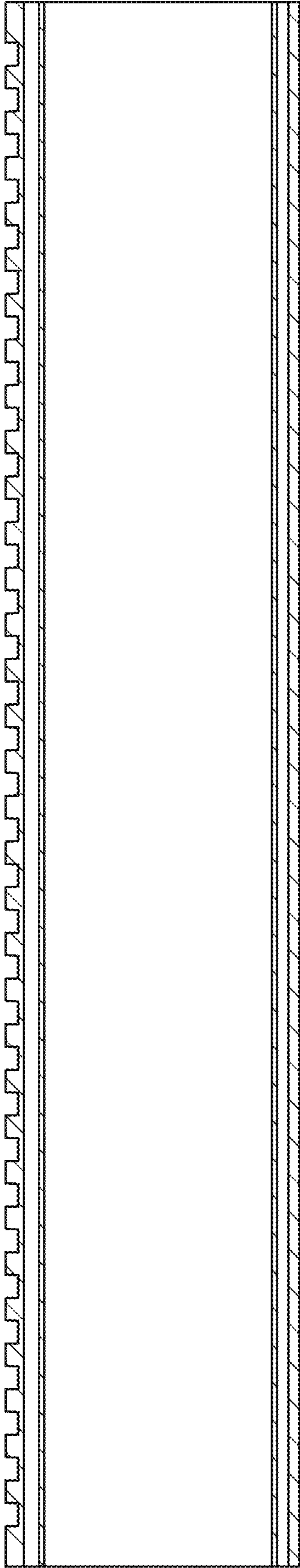


Fig. 7

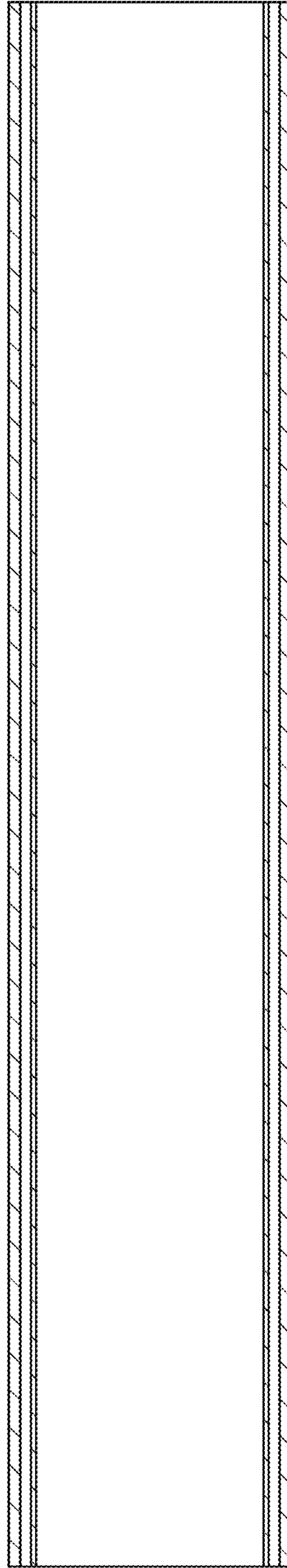


Fig. 8