



US00D787002S

(12) **United States Design Patent** (10) **Patent No.:** **US D787,002 S**
Hawkins et al. (45) **Date of Patent:** **** May 16, 2017**

(54) **ATTACHMENT FOR A FIREARM**

(71) Applicant: **Robert Craig Hawkins**, Taumarunui (NZ)

(72) Inventors: **Robert Craig Hawkins**, Taumarunui (NZ); **Gregory Morgan**, Wanganui (NZ)

(73) Assignee: **Robert Craig Hawkins**, Taumarunui (NZ)

(**) Term: **14 Years**

(21) Appl. No.: **29/510,475**

(22) Filed: **Nov. 28, 2014**

(30) **Foreign Application Priority Data**

May 27, 2014 (NZ) 418855

(51) **LOC (10) Cl.** **22-01**

(52) **U.S. Cl.**
USPC **D22/108**

(58) **Field of Classification Search**
USPC D22/108; D8/68
(Continued)

(56) **References Cited**

U.S. PATENT DOCUMENTS

D644,707 S * 9/2011 Faifer D22/108
D660,934 S * 5/2012 Faifer D22/108
(Continued)

Primary Examiner — Michael A Pratt

(74) *Attorney, Agent, or Firm* — Hauptman Ham, LLP

(57) **CLAIM**

The ornamental design for an attachment for a firearm, as shown and described.

DESCRIPTION

FIG. 1 is a Top Left Perspective view of the attachment for a firearm in accordance with a first embodiment of the design;

FIG. 2 is a Front Left Perspective view of the attachment for a firearm in accordance with a first embodiment of the design;

FIG. 3 is a Back Left Perspective view of the attachment for a firearm in accordance with a first embodiment of the design;

FIG. 4 is a Top Back Perspective view of the attachment for a firearm in accordance with a first embodiment of the design;

FIG. 5 is a Bottom Back Perspective view of the attachment for a firearm in accordance with a first embodiment of the design;

FIG. 6 is a Bottom Front Perspective view of the attachment for a firearm in accordance with a first embodiment of the design;

FIG. 7 is a Bottom view of the attachment for a firearm in accordance with a first embodiment of the design;

FIG. 8 is a Top view of the attachment for a firearm in accordance with a first embodiment of the design;

FIG. 9 is a Front view of the attachment for a firearm in accordance with a first embodiment of the design;

FIG. 10 is a Left Side view of the attachment for a firearm in accordance with a first embodiment of the design;

FIG. 11 is a Right Side view of the attachment for a firearm in accordance with a first embodiment of the design;

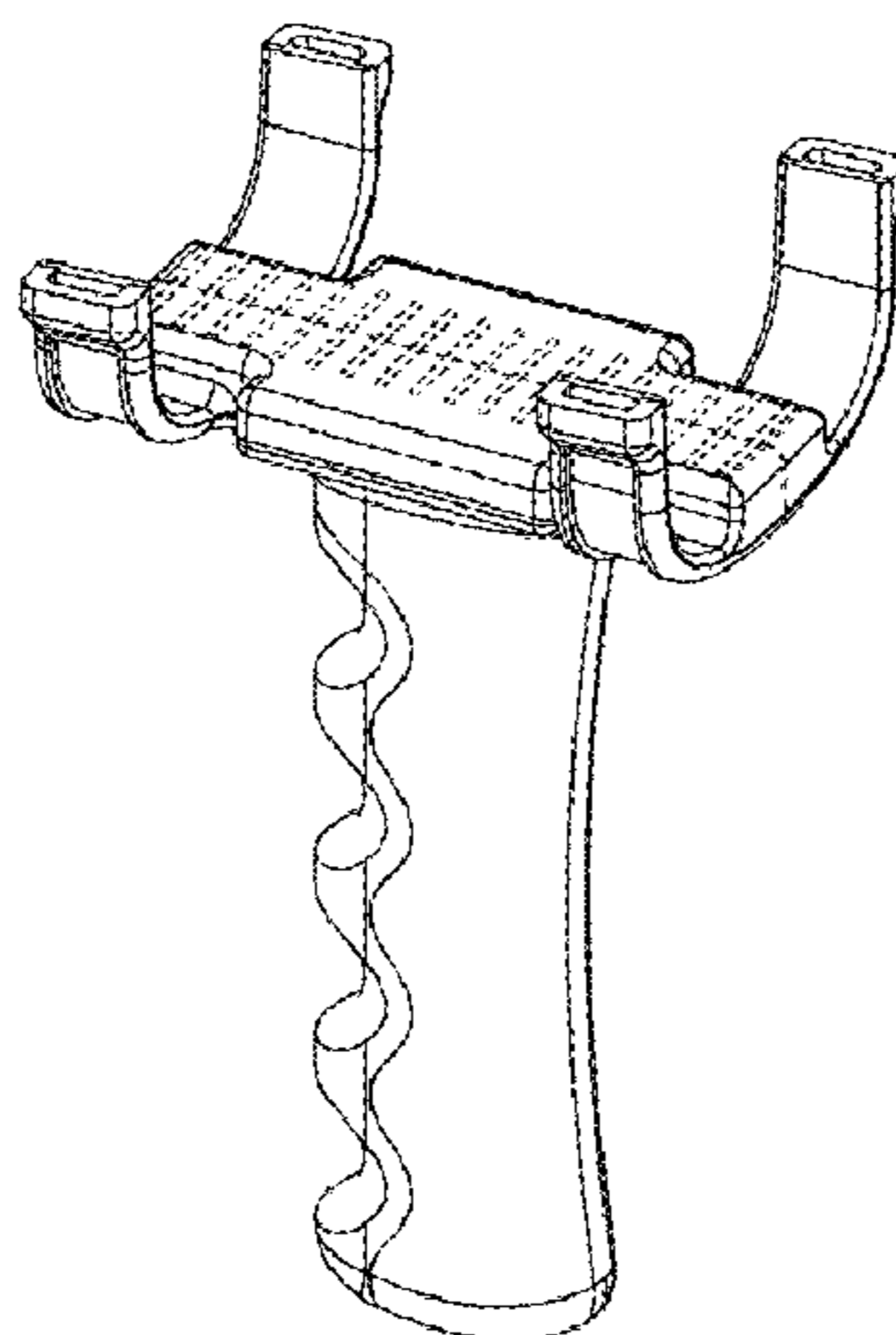
FIG. 12 is a Top Left Perspective view of the attachment for a firearm in accordance with a first embodiment of the design corresponding to FIG. 1, where the broken lines are removed to ensure that the environmental features are clearly depicted;

FIG. 13 is a Front Left Perspective view of the attachment for a firearm in accordance with a first embodiment of the design corresponding to FIG. 2, where the broken lines are removed to ensure that the environmental features are clearly depicted;

FIG. 14 is a Back Left Perspective view of the attachment for a firearm in accordance with a first embodiment of the design corresponding to FIG. 3, where the broken lines are removed to ensure that the environmental features are clearly depicted;

FIG. 15 is a Top Back Perspective view of the attachment for a firearm in accordance with a first embodiment of the design;

(Continued)



design corresponding to FIG. 4, where the broken lines are removed to ensure that the environmental features are clearly depicted;

FIG. 16 is a Bottom Back Perspective view of the attachment for a firearm in accordance with a first embodiment of the design corresponding to FIG. 5, where the broken lines are removed to ensure that the environmental features are clearly depicted;

FIG. 17 is a Bottom Front Perspective view of the attachment for a firearm in accordance with a first embodiment of the design corresponding to FIG. 6, where the broken lines are removed to ensure that the environmental features are clearly depicted;

FIG. 18 is a Bottom view of the attachment for a firearm in accordance with a first embodiment of the design corresponding to FIG. 7, where the broken lines are removed to ensure that the environmental features are clearly depicted;

FIG. 19 is a Top view of the attachment for a firearm in accordance with a first embodiment of the design corresponding to FIG. 8, where the broken lines are removed to ensure that the environmental features are clearly depicted;

FIG. 20 is a Front view of the attachment for a firearm in accordance with a first embodiment of the design corresponding to FIG. 9, where the broken lines are removed to ensure that the environmental features are clearly depicted;

FIG. 21 is a Left Side view of the attachment for a firearm in accordance with a first embodiment of the design corresponding to FIG. 10, where the broken lines are removed to ensure that the environmental features are clearly depicted; and,

FIG. 22 is a Right Side view of the attachment for a firearm in accordance with a first embodiment of the design corre-

sponding to FIG. 11, where the broken lines are removed to ensure that the environmental features are clearly depicted. The features in broken lines correspond to environment and do not form part of the claimed design.

1 Claim, 22 Drawing Sheets

(58) **Field of Classification Search**

CPC F41C 23/10; F41C 23/14; F41C 23/16;
F41C 23/18

See application file for complete search history.

(56) **References Cited**

U.S. PATENT DOCUMENTS

D726,278	S	*	4/2015	Ding	D22/108
D727,455	S	*	4/2015	Ding	D22/108
D749,186	S	*	2/2016	Cheng	D22/108
2007/0271832	A1	*	11/2007	Griffin	F41C 23/16 42/72
2008/0052979	A1	*	3/2008	Lee	F41A 23/04 42/94
2009/0038199	A1	*	2/2009	Oz	F41A 23/10 42/94
2009/0193702	A1	*	8/2009	Lin	F41C 23/16 42/72
2010/0084524	A1	*	4/2010	Faifer	F16M 11/04 248/170
2015/0300775	A1	*	10/2015	Combs	F41C 23/16 42/72

* cited by examiner

FIG. 1

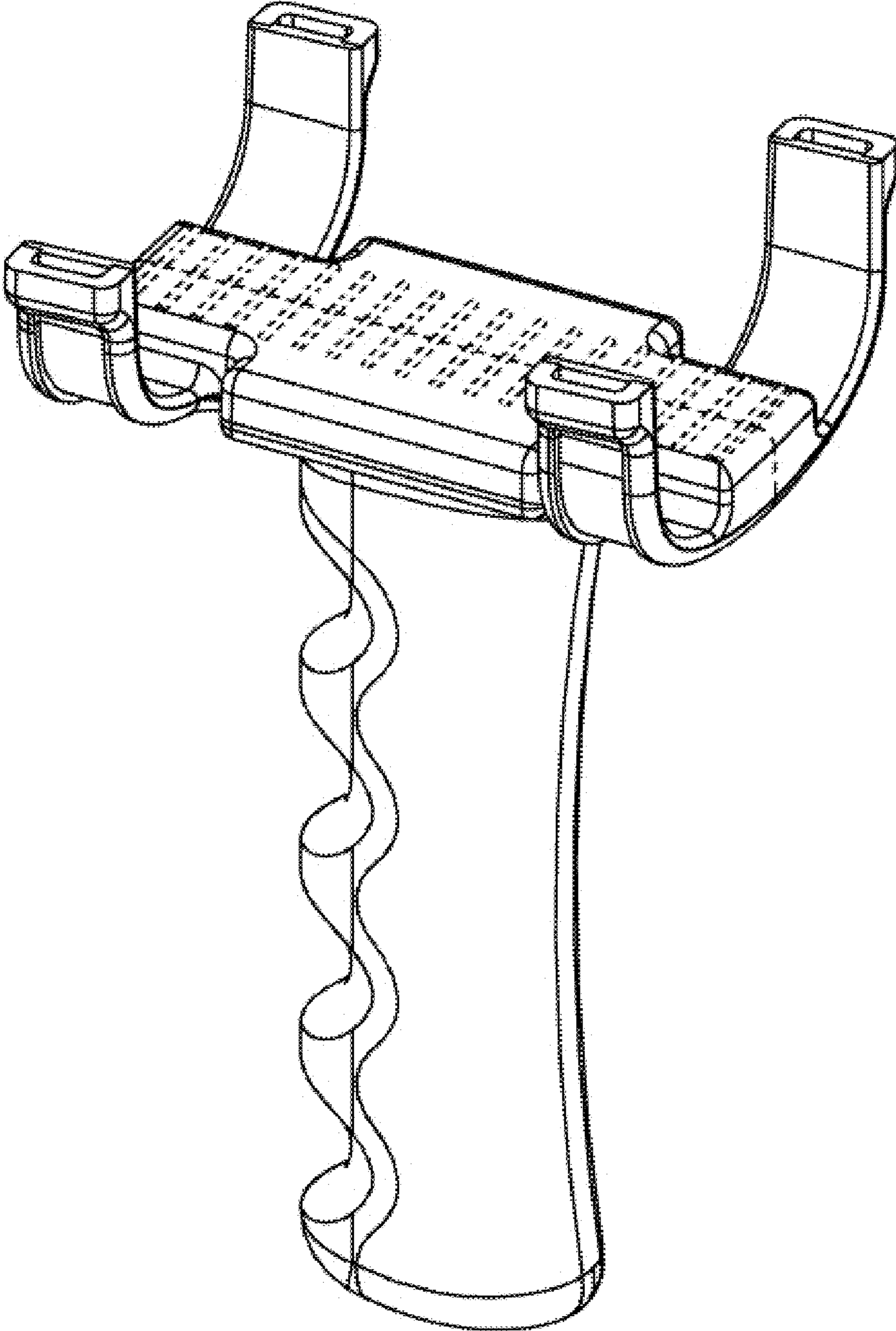


FIG. 2

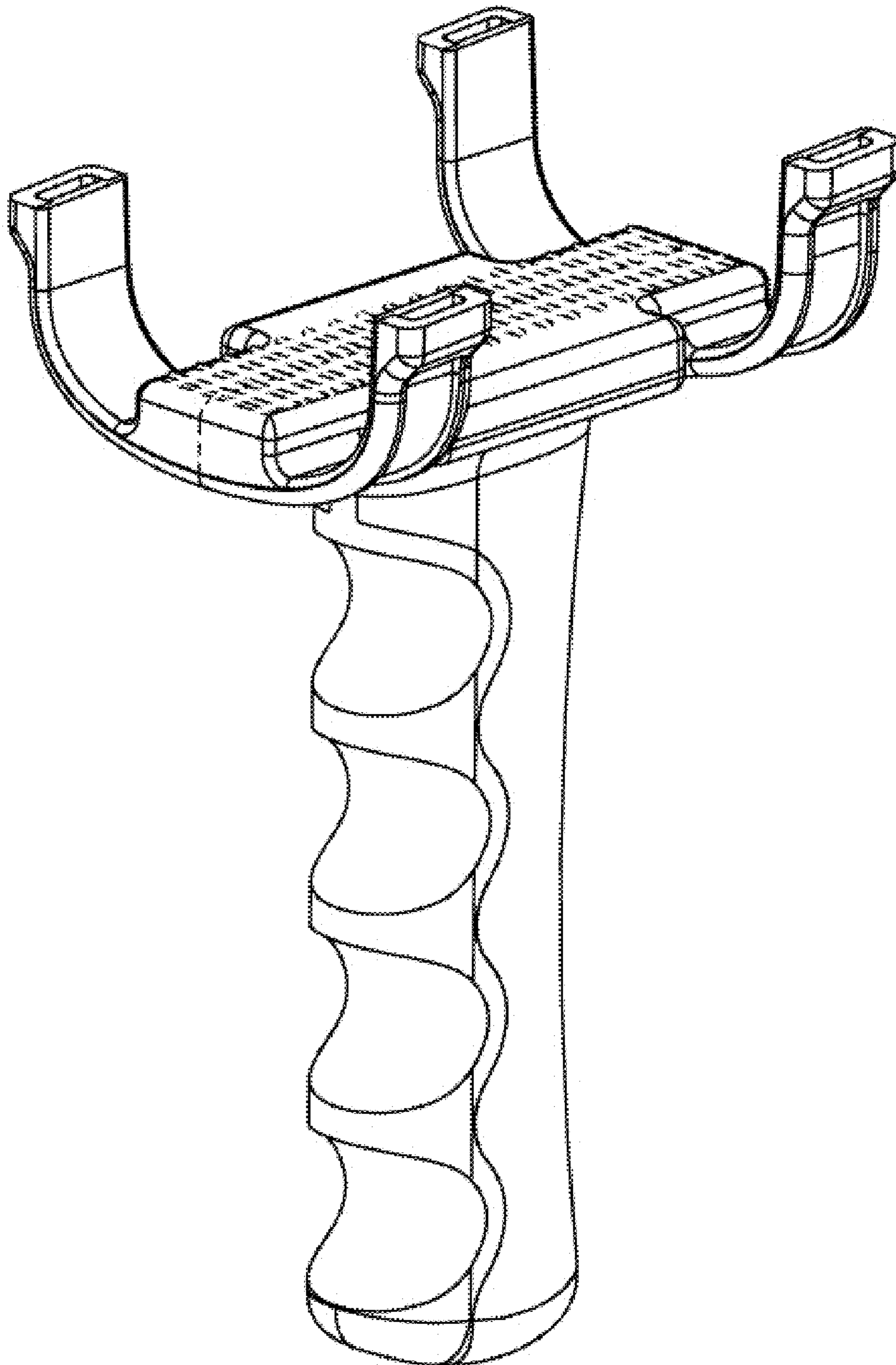


FIG. 3

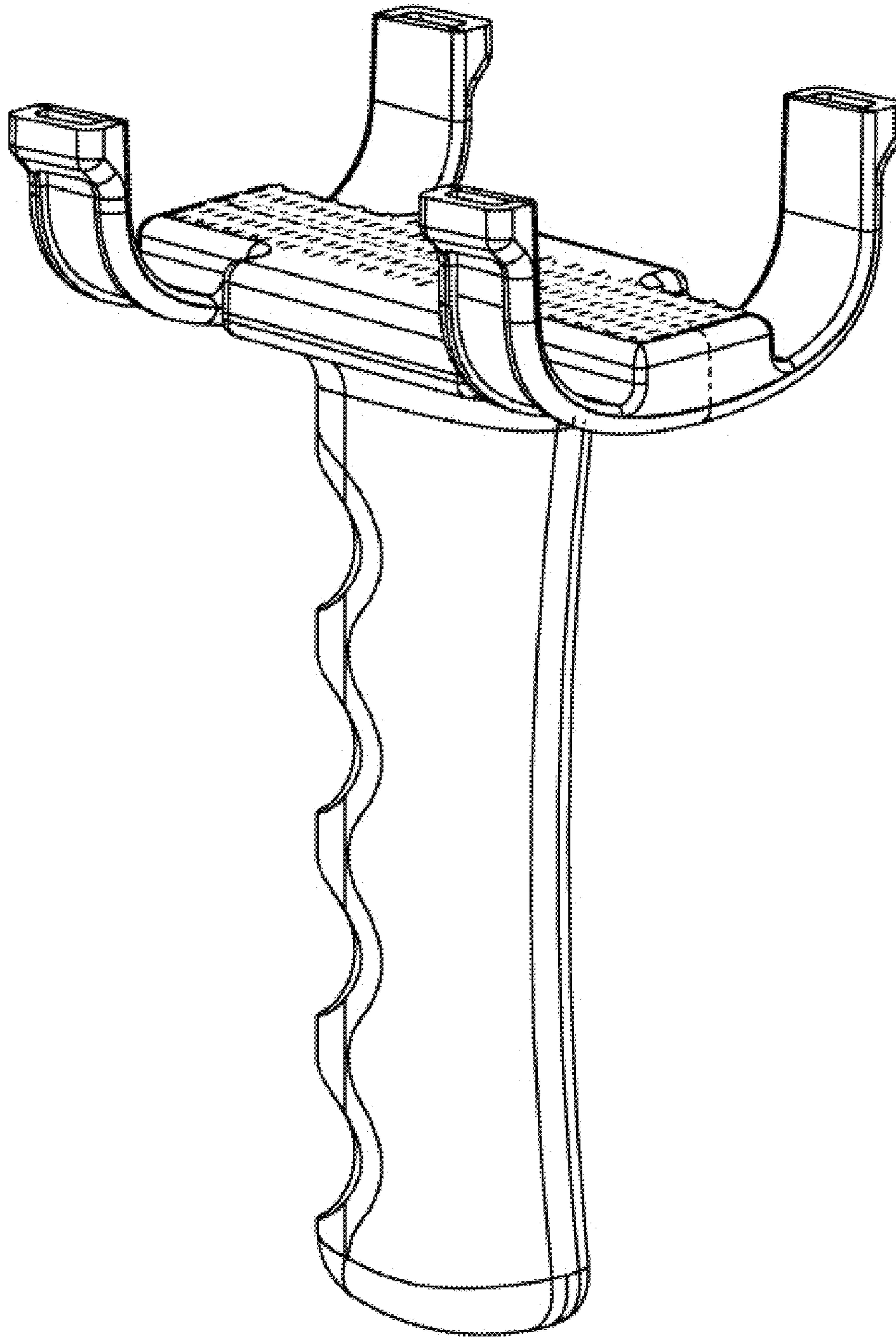


FIG. 4

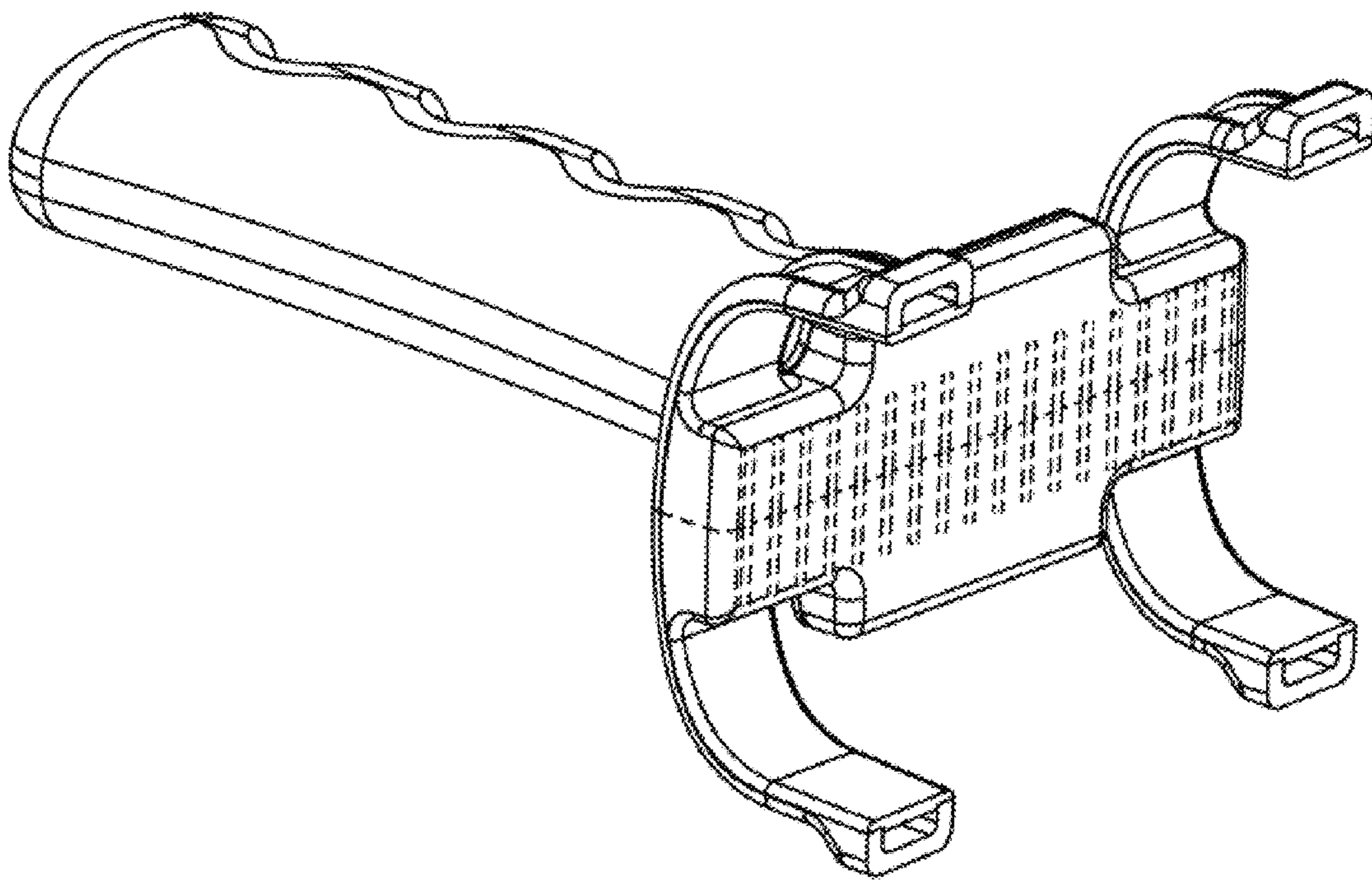


FIG. 5

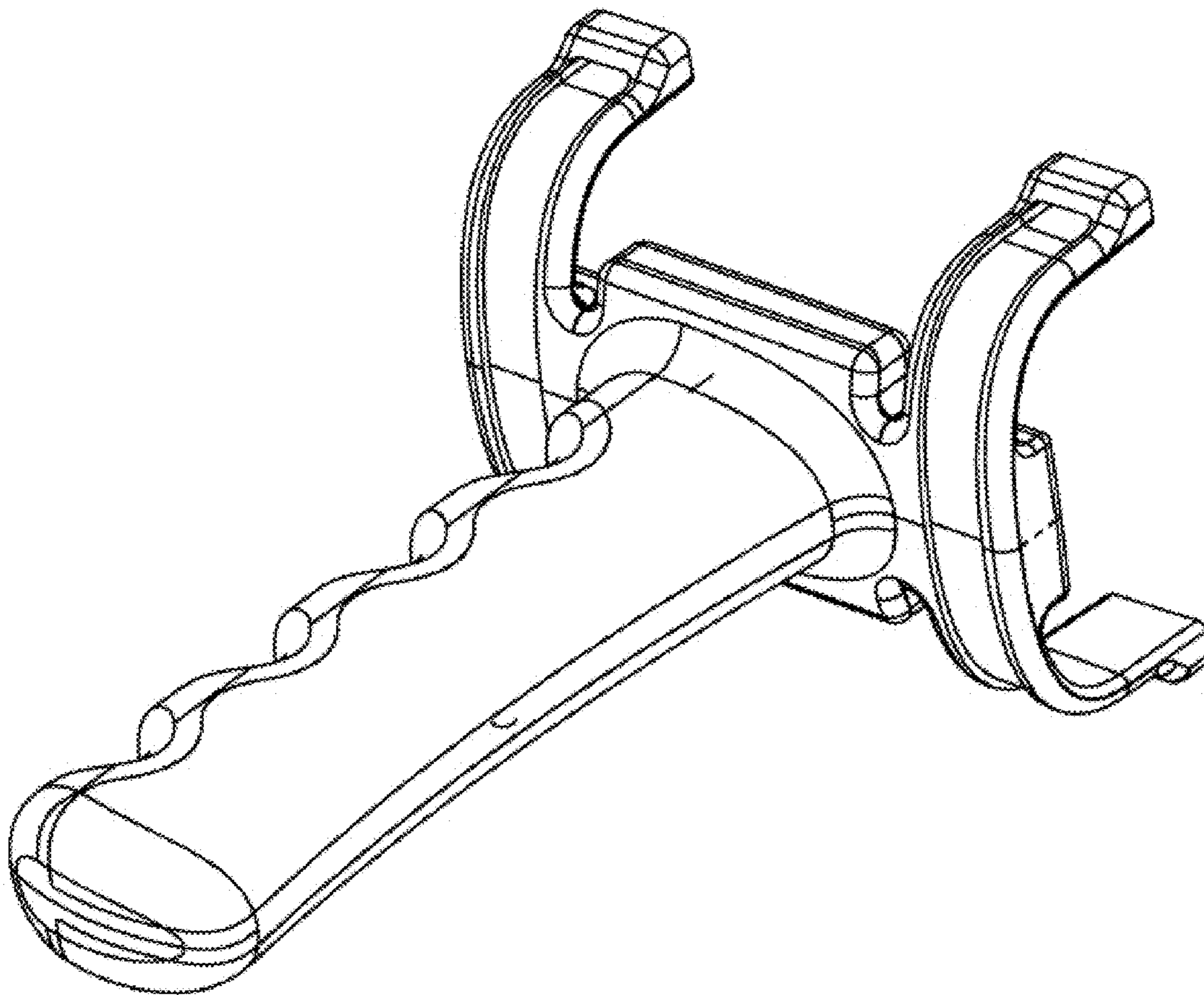


FIG. 6

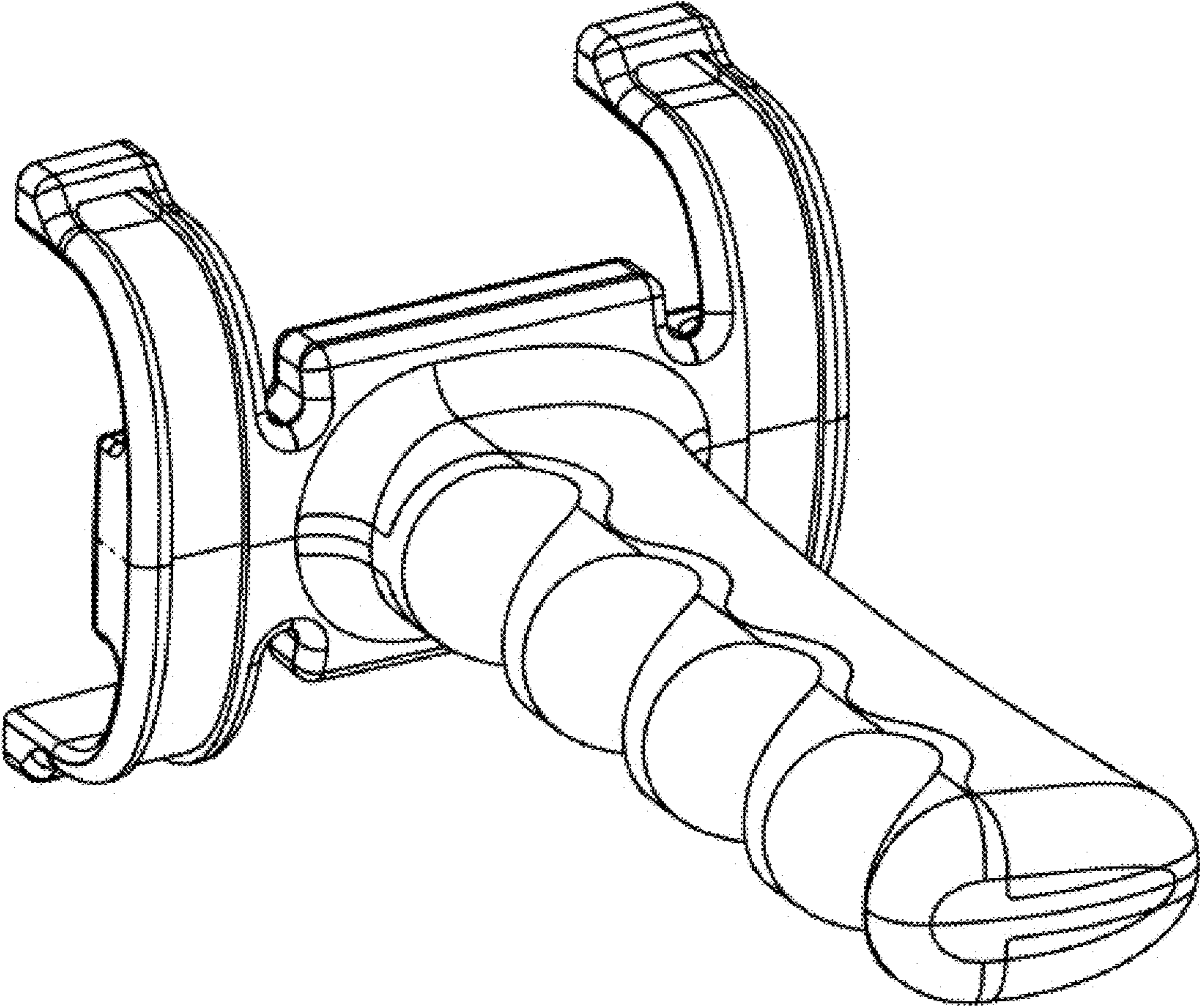


FIG. 7

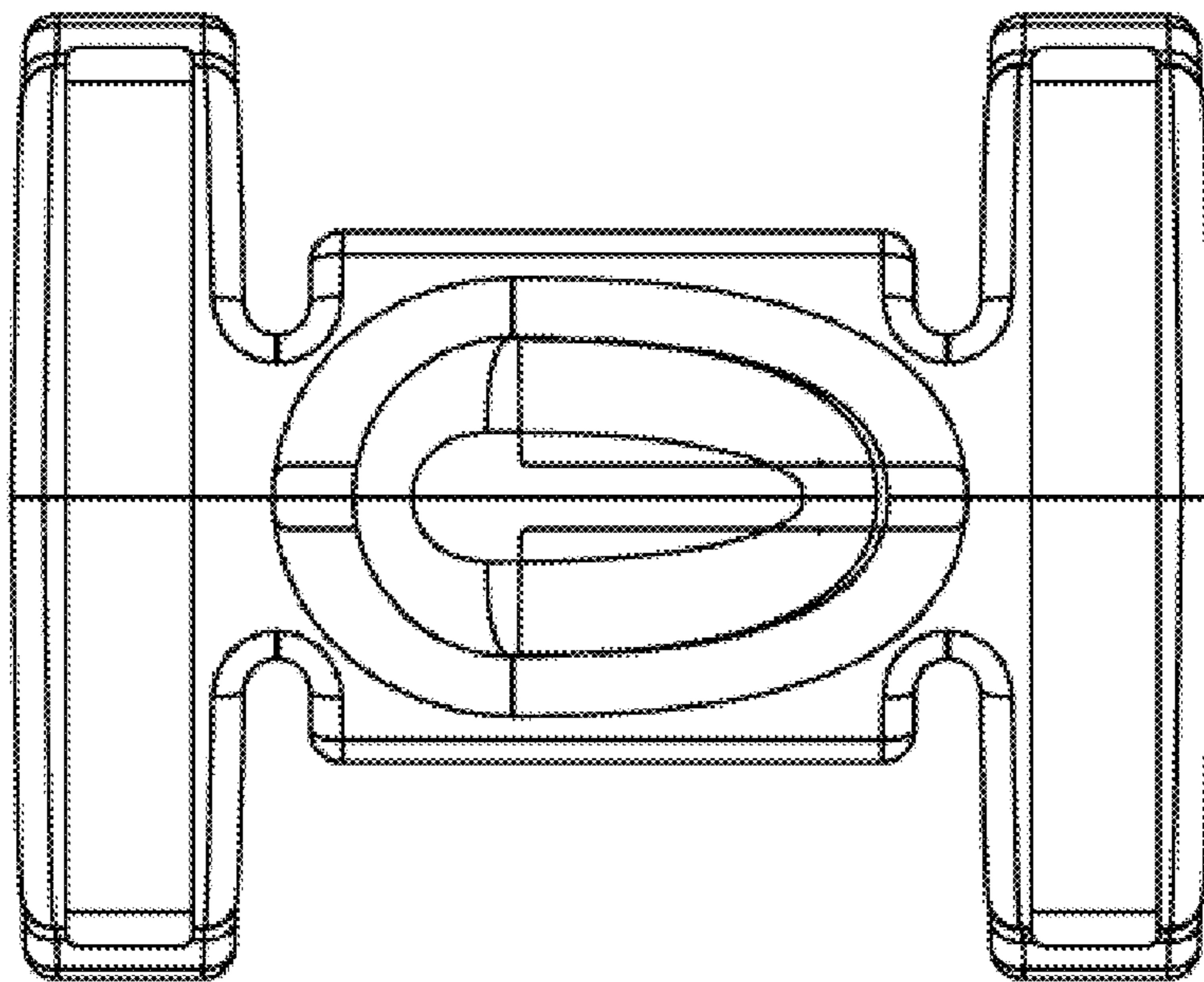


FIG. 8

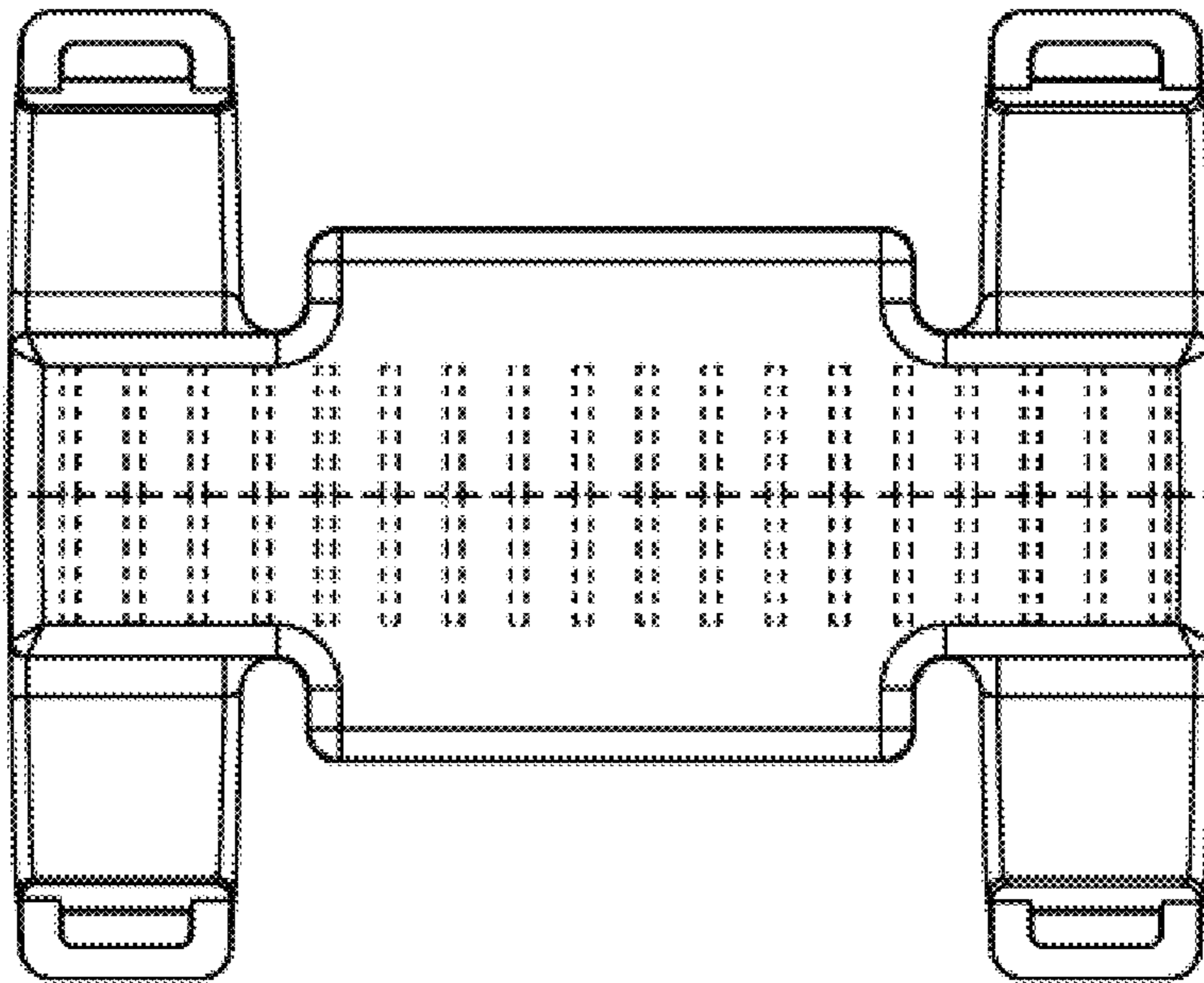


FIG. 9

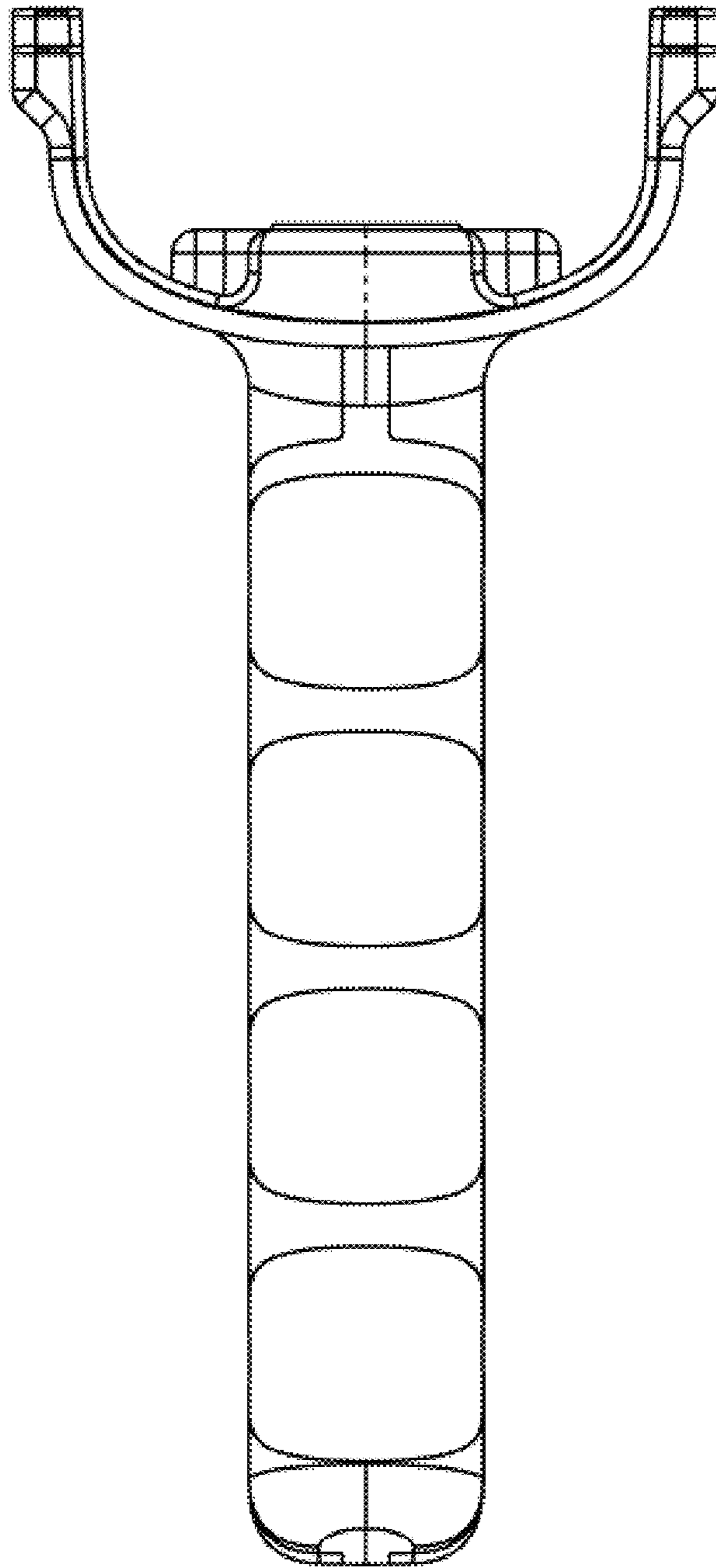


FIG. 10

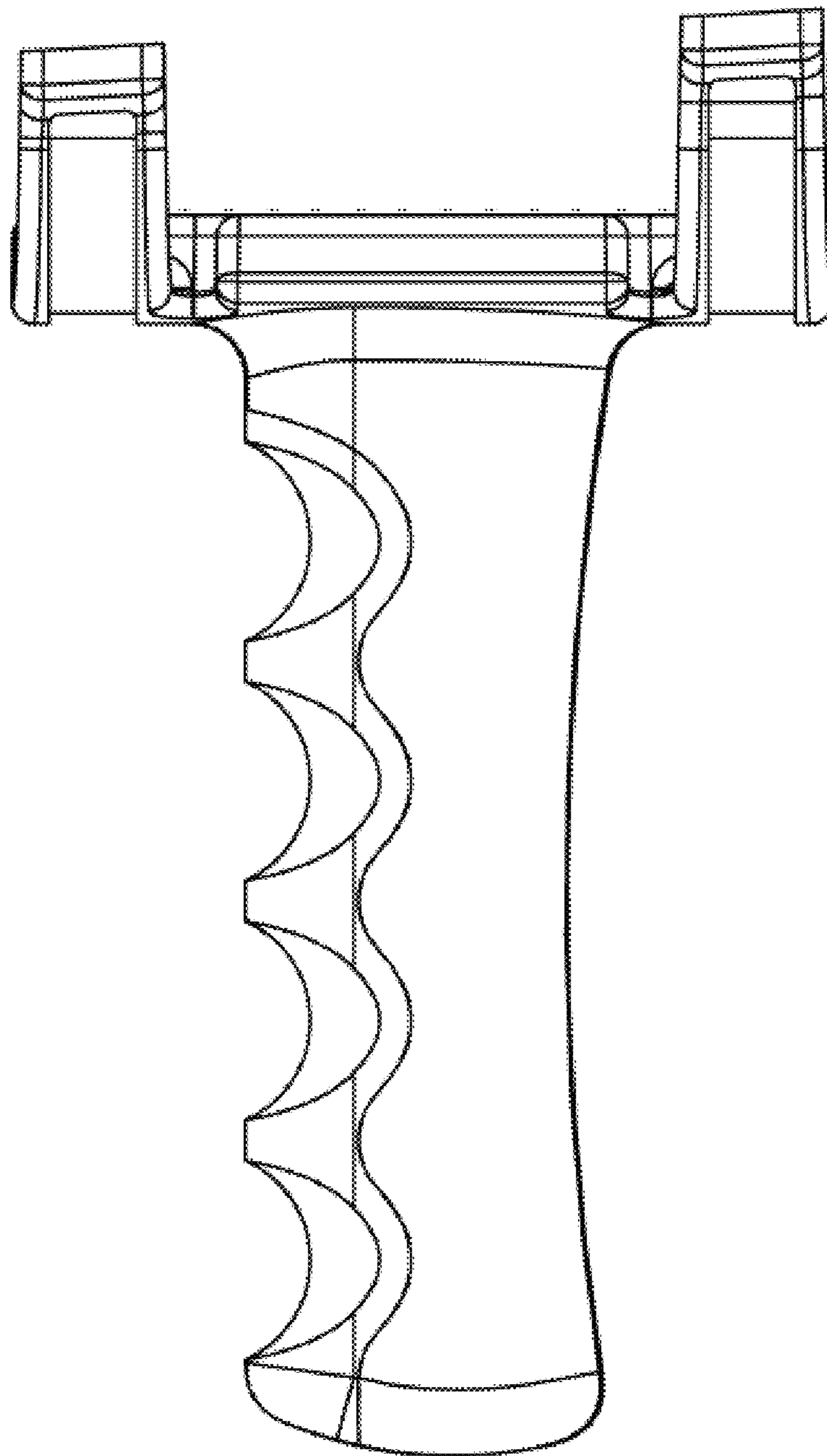


FIG. 11

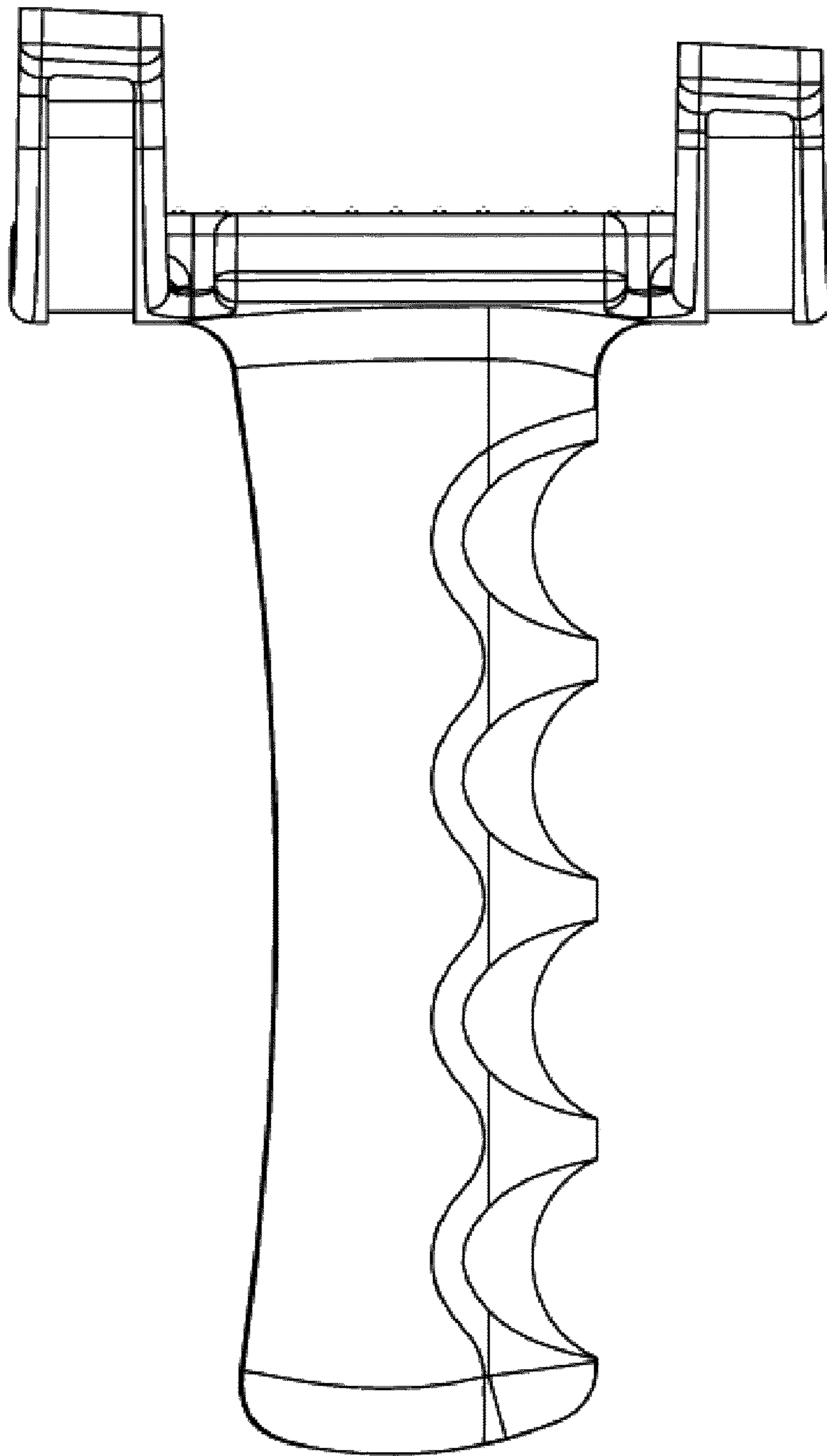


FIG. 12

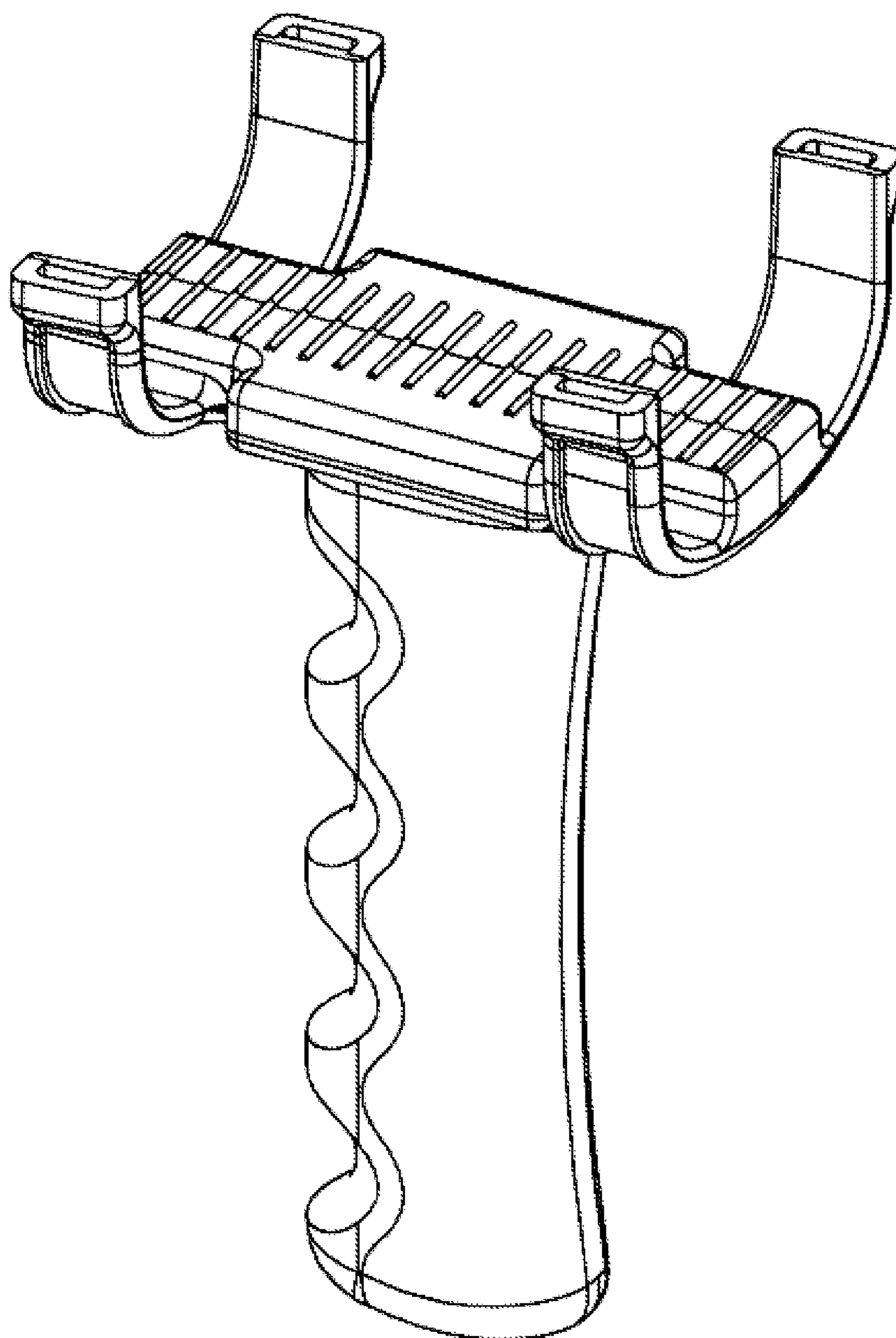


FIG. 13

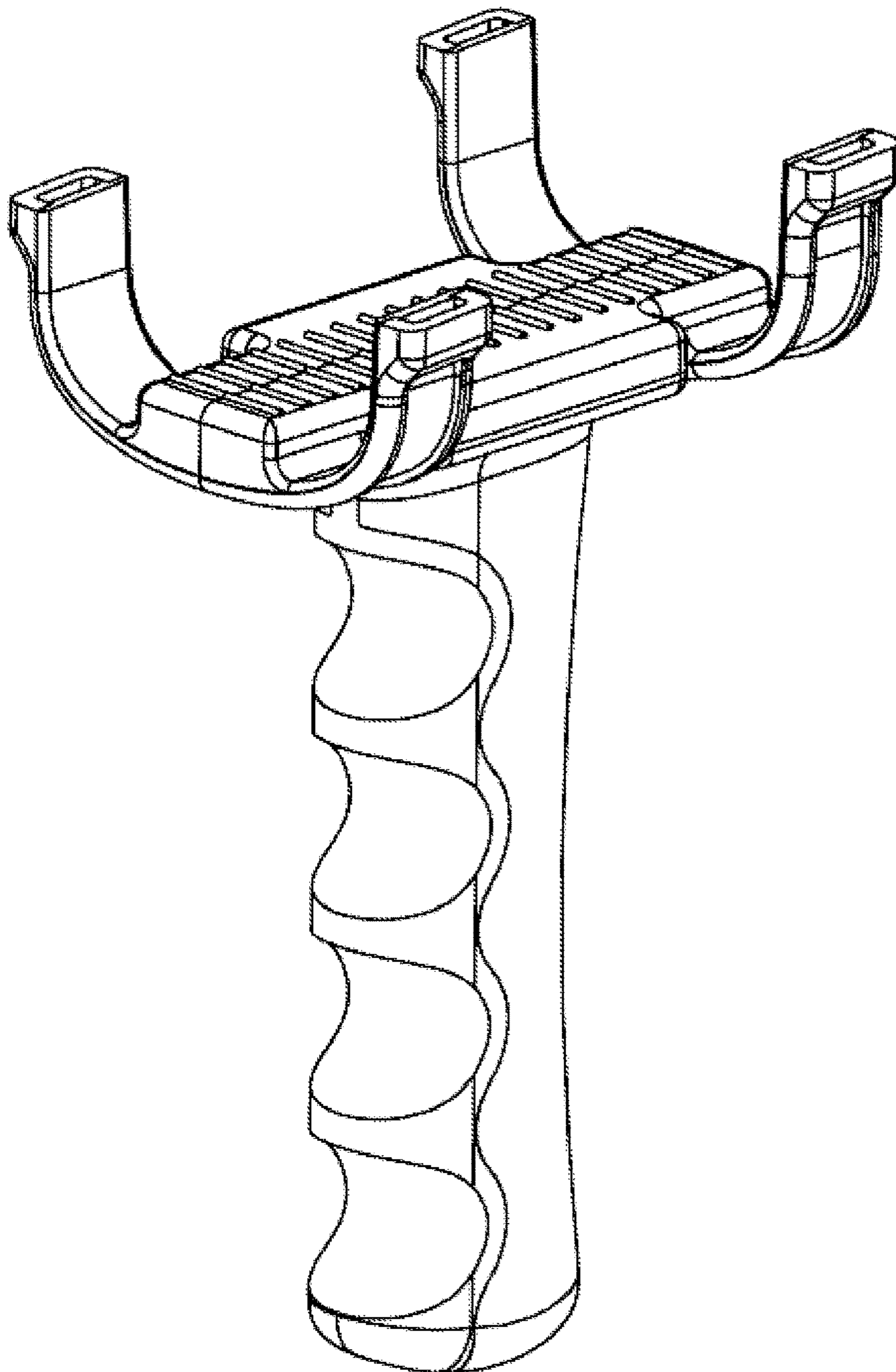


FIG. 14

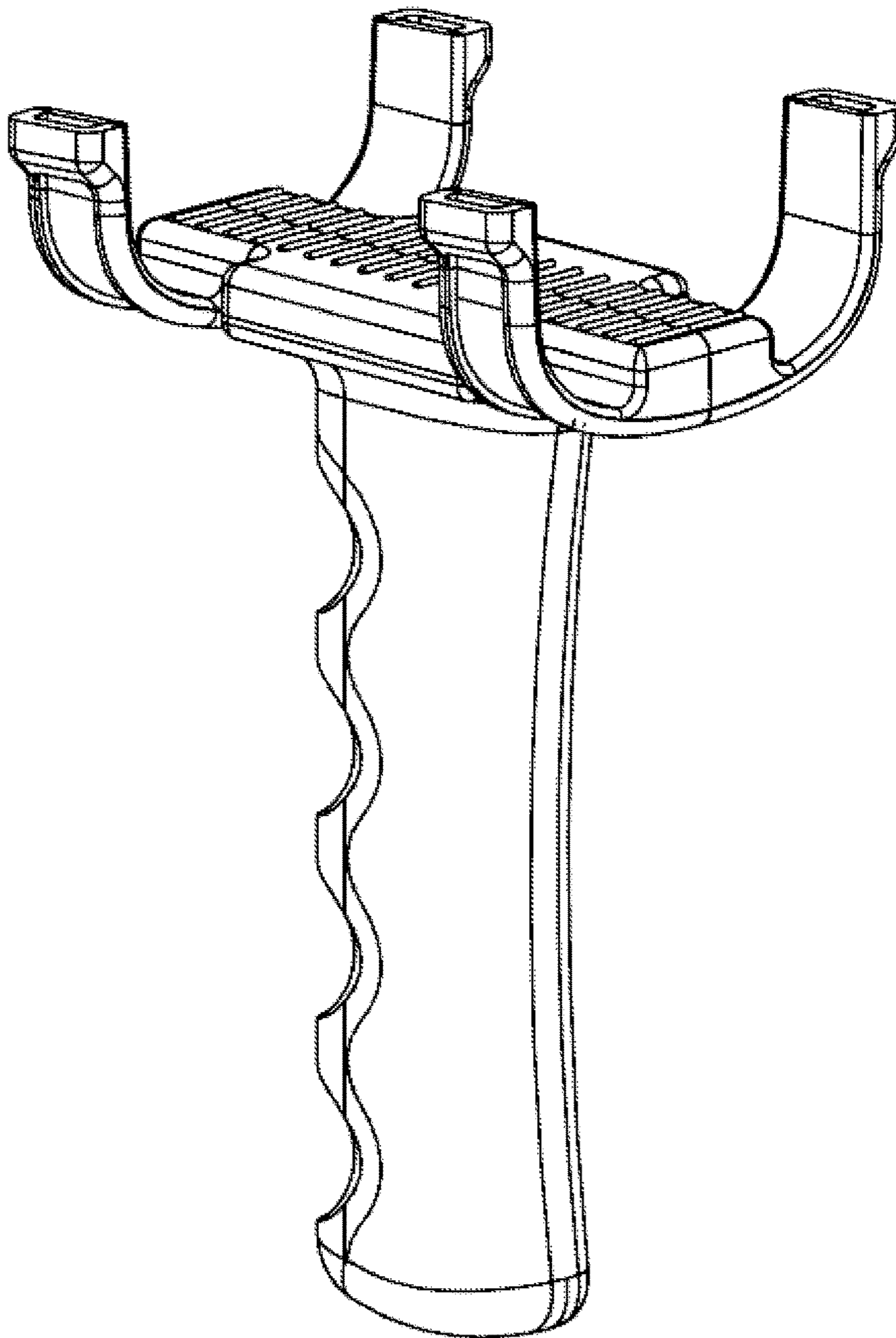


FIG. 15

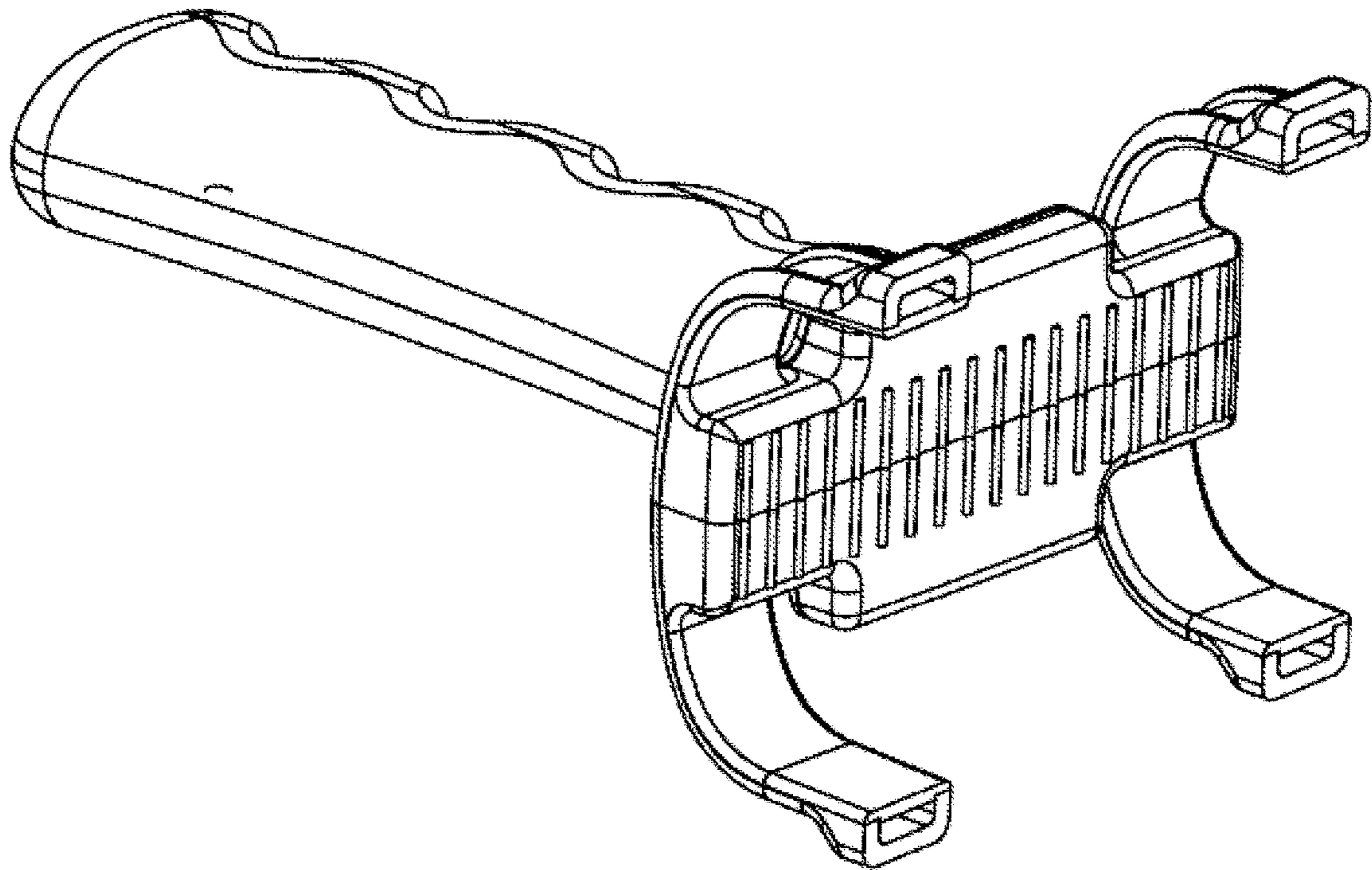


FIG. 16

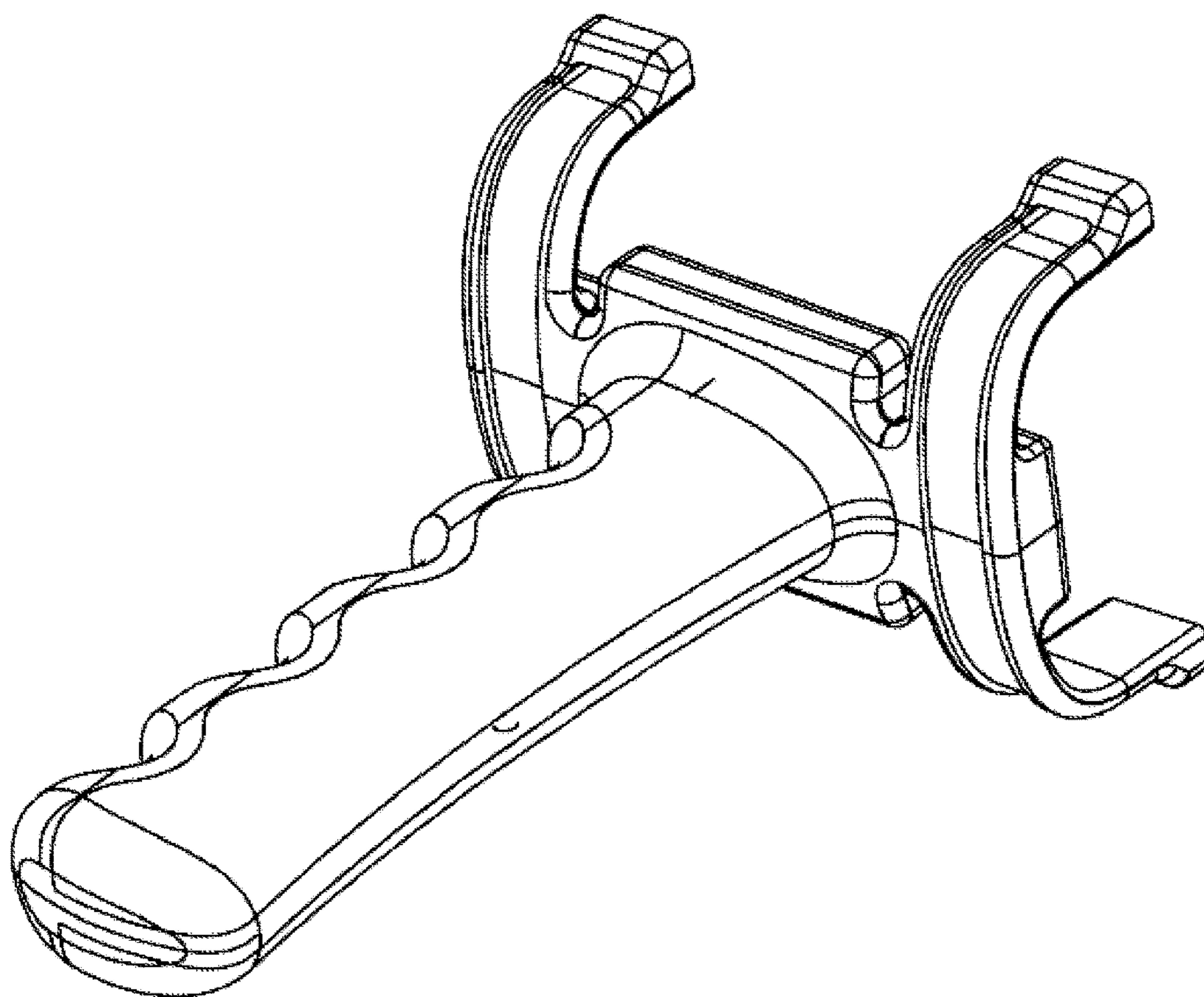


FIG. 17

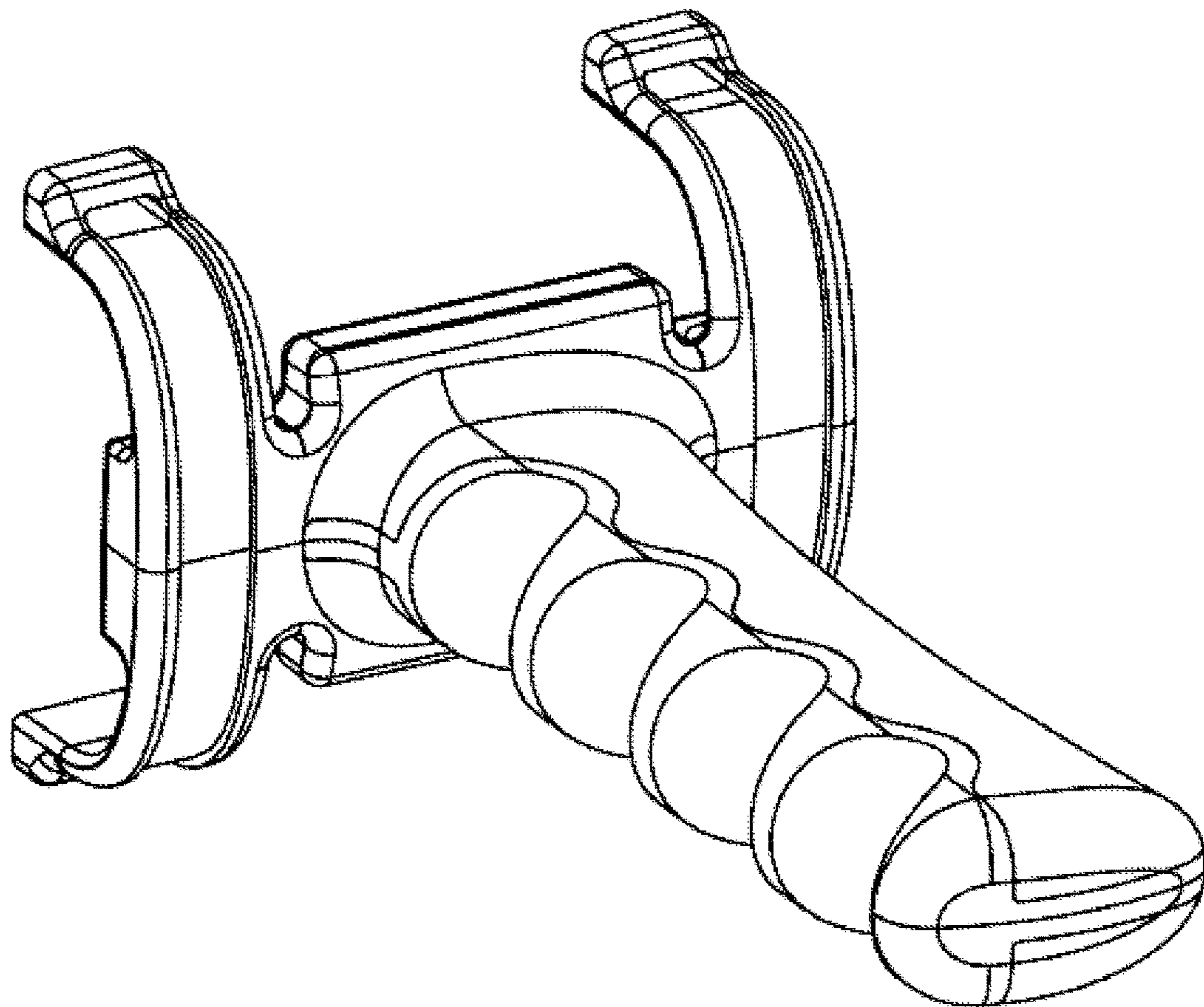


FIG. 18

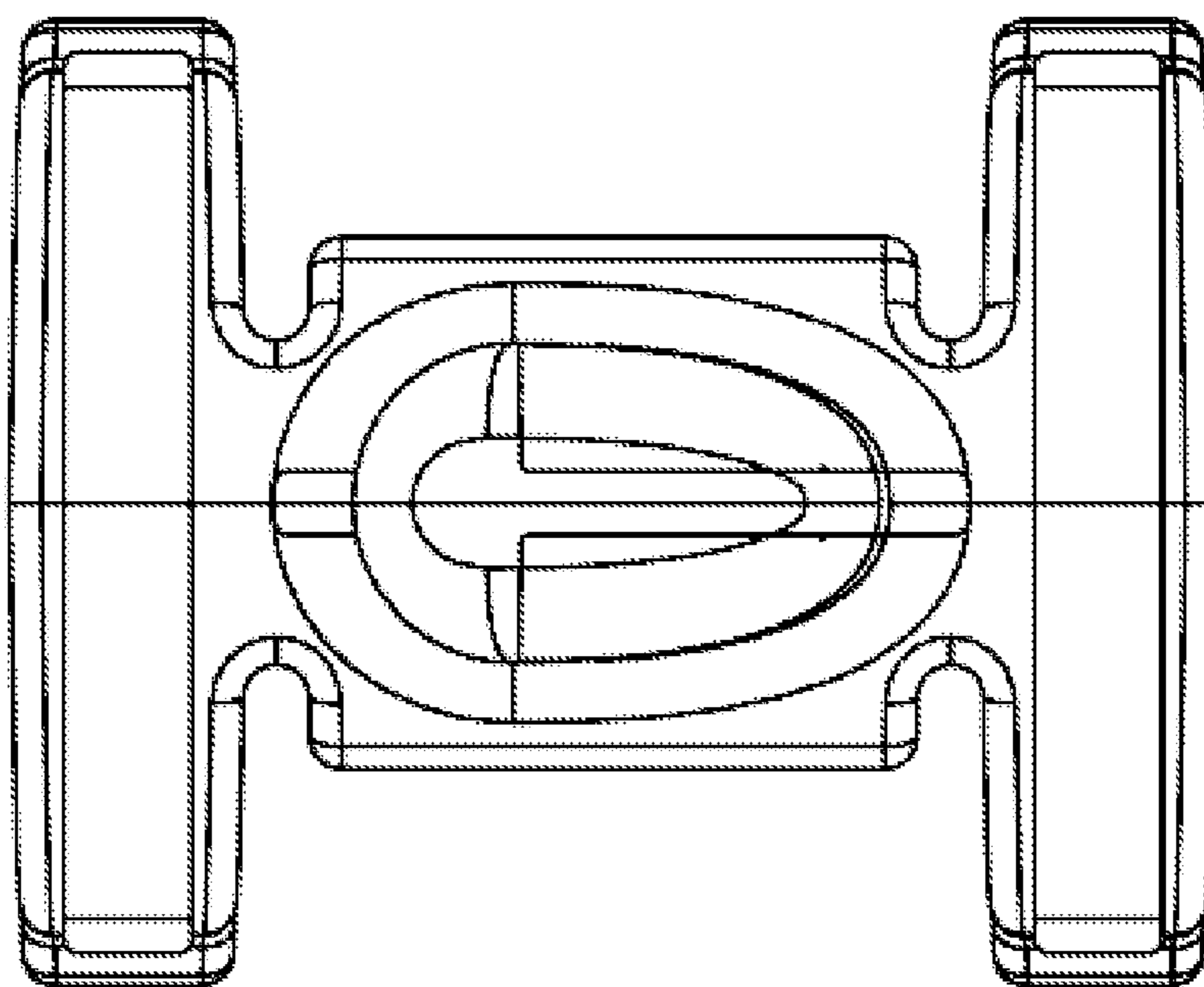


FIG. 19

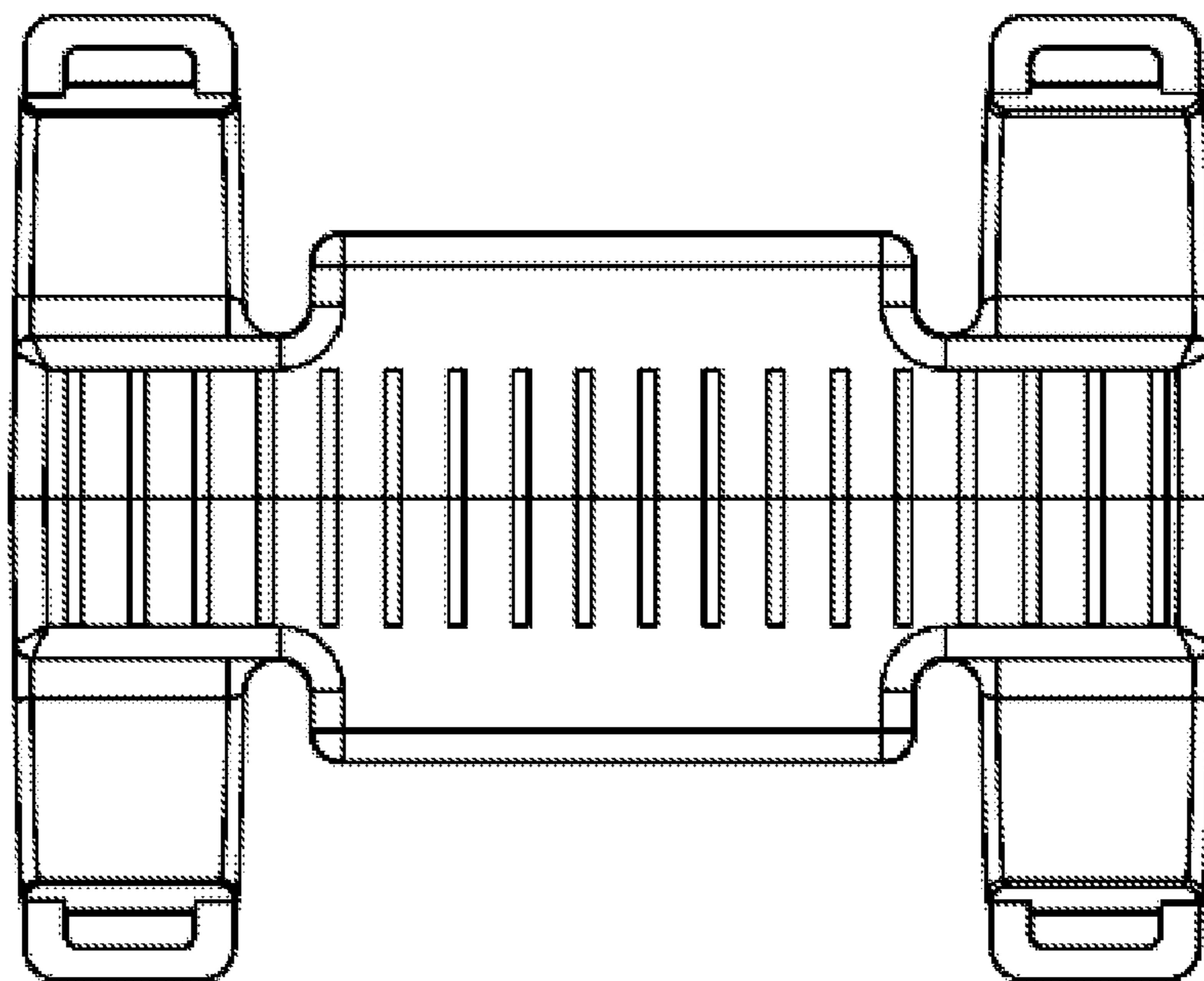


FIG. 20

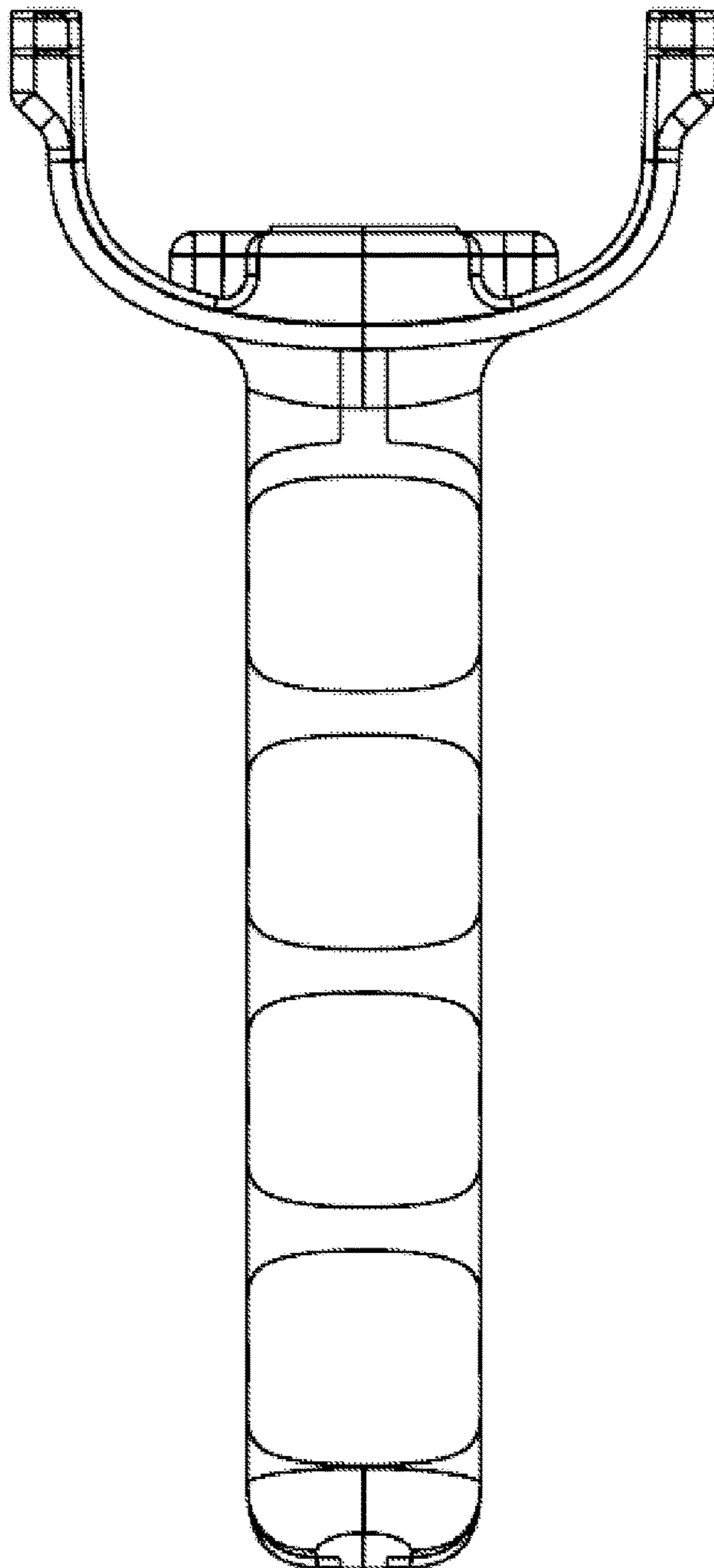


FIG. 21

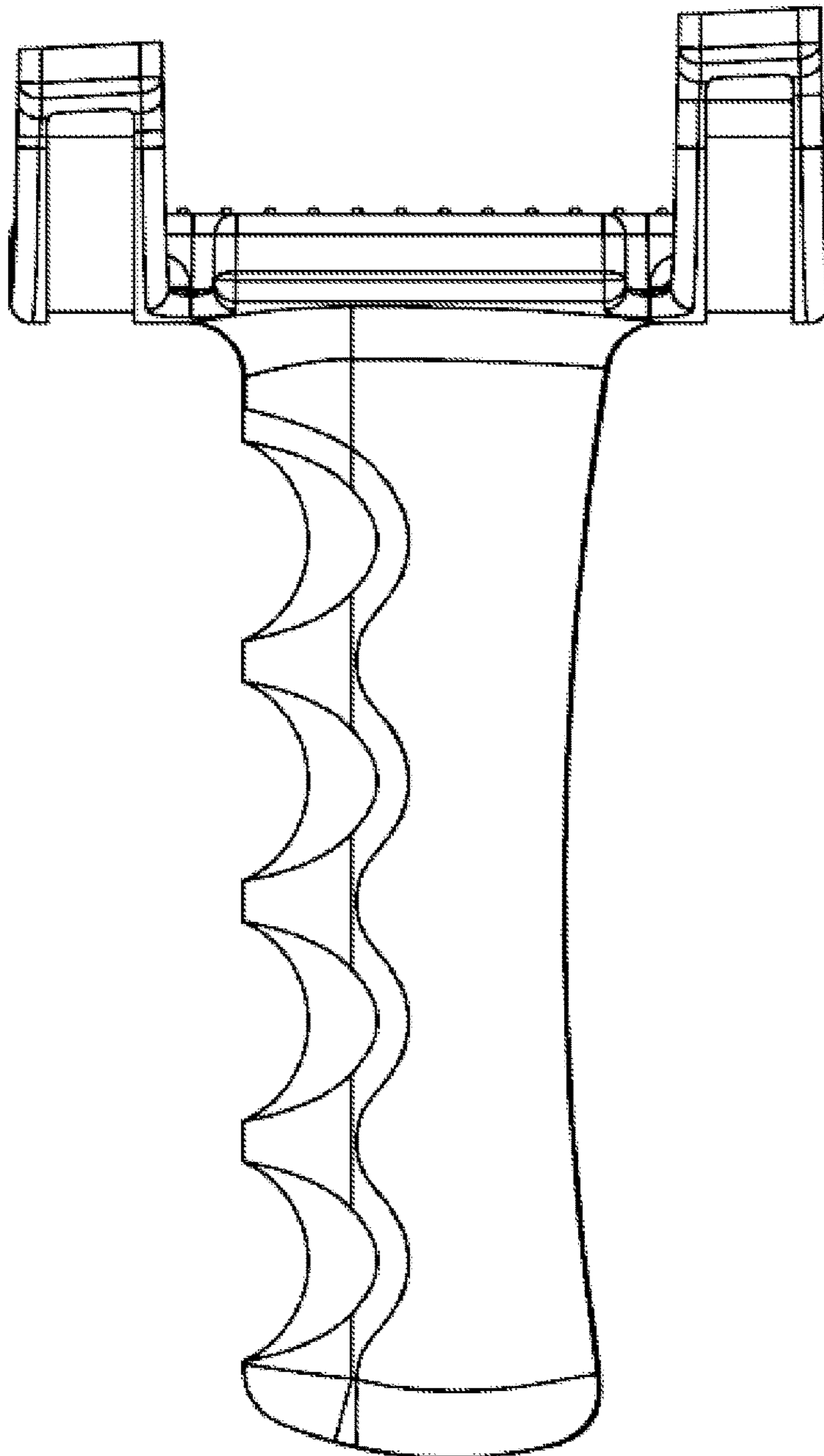


FIG. 22

