



US00D787001S

(12) **United States Design Patent** (10) **Patent No.:** **US D787,001 S**  
**Ochi** (45) **Date of Patent:** **\*\* May 16, 2017**

(54) **PLAY EQUIPMENT**

(71) Applicant: **BLD Oriental, Co., Ltd.**, Izumisano, Osaka Prefecture (JP)

(72) Inventor: **Yasushi Ochi**, Izumisano (JP)

(73) Assignee: **BLD Oriental, Co., Ltd.**, Osaka (JP)

(\*\*) Term: **14 Years**

(21) Appl. No.: **29/515,758**

(22) Filed: **Jan. 27, 2015**

(30) **Foreign Application Priority Data**

Sep. 13, 2014 (JP) ..... 2014-20357

(51) **LOC (10) Cl.** ..... **21-03**

(52) **U.S. Cl.**  
USPC ..... **D21/814**

(58) **Field of Classification Search**  
USPC ..... D21/811, 814, 826; D6/331  
CPC ..... A63B 9/00; A63B 21/00; A63B 2009/006;  
A63B 2208/12  
See application file for complete search history.

(56) **References Cited**

**U.S. PATENT DOCUMENTS**

- D346,420 S \* 4/1994 Cacciola ..... D21/816
- D358,620 S \* 5/1995 Hill ..... D21/511
- 5,437,573 A \* 8/1995 Rodriguezferre ..... A63G 21/00  
403/381
- 5,580,316 A \* 12/1996 Hill ..... A63B 9/00  
16/344
- D390,905 S \* 2/1998 Eldon ..... D21/504
- D397,188 S \* 8/1998 Bro ..... D21/814
- D421,086 S \* 2/2000 Mollard ..... D21/701

- D440,620 S \* 4/2001 Ellis-Coyne ..... D21/811
- D478,955 S \* 8/2003 Chen ..... D21/797
- D502,550 S \* 3/2005 Walker ..... D25/38.1
- D511,363 S \* 11/2005 Nicholson ..... D21/818
- D513,054 S \* 12/2005 Auberger ..... D21/814
- D587,776 S \* 3/2009 Robertson ..... D21/814
- D635,623 S \* 4/2011 Wright ..... D21/686

**OTHER PUBLICATIONS**

Ochi, Yasushi; U.S. Appl. No. 29/515,760, filed Jan. 27, 2015; United States Patent and Trademark Office; Alexandria, VA.  
Ochi, Yasushi; U.S. Appl. No. 29/515,761, filed Jan. 27, 2015; United States Patent and Trademark Office; Alexandria, VA.  
Siegel, Mitchell; Office Action issued in U.S. Appl. No. 29/515,760; Oct. 28, 2016; United States Patent and Trademark Office; Alexandria, VA.  
Siegel, Mitchell; Office Action issued in U.S. Appl. No. 29/515,761; Oct. 28, 2016; United States Patent and Trademark Office; Alexandria, VA.

\* cited by examiner

*Primary Examiner* — Mitchell Siegel  
(74) *Attorney, Agent, or Firm* — Stevens & Showalter, LLP

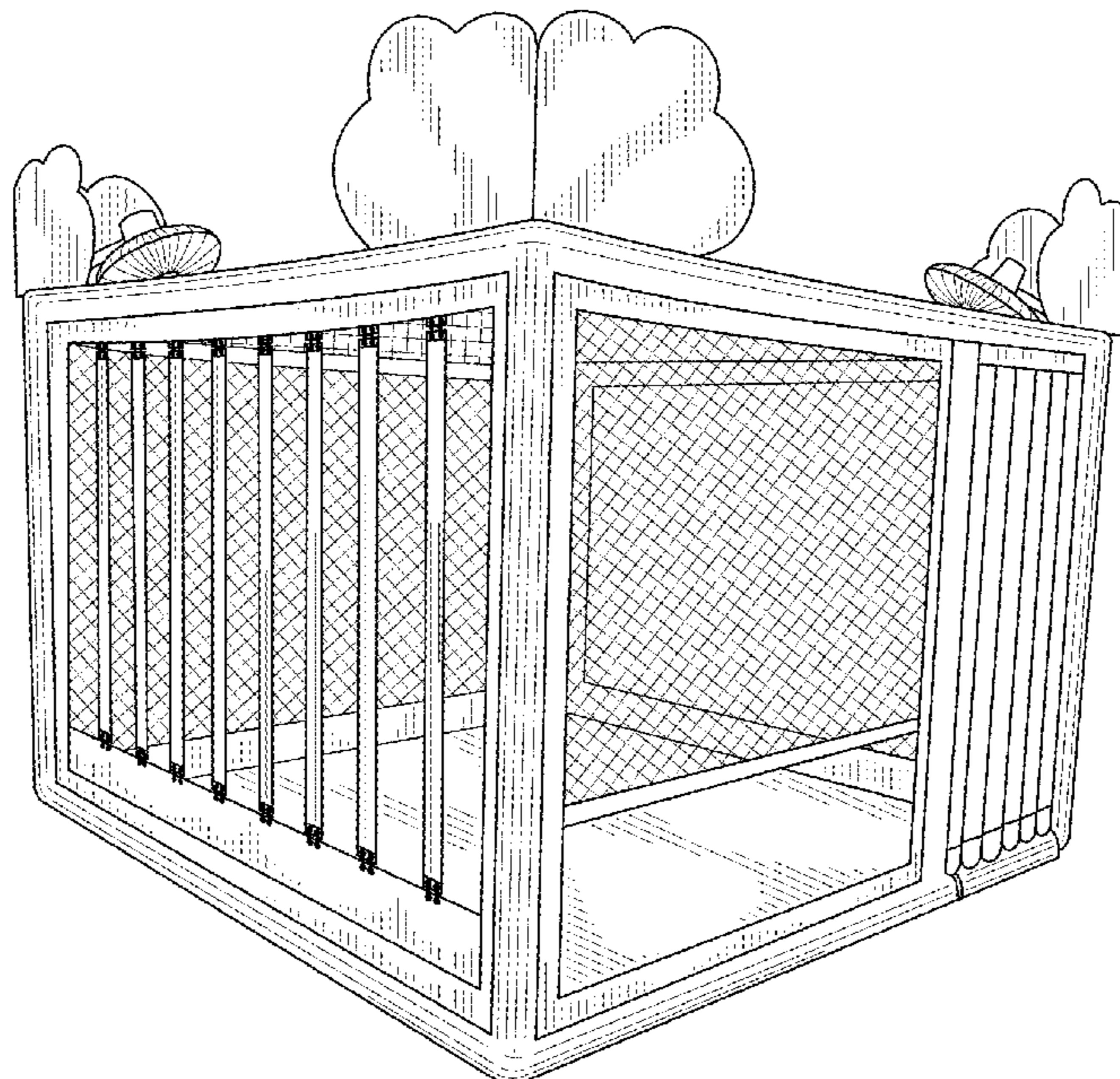
(57) **CLAIM**

The ornamental design for play equipment, as shown.

**DESCRIPTION**

FIG. 1 is a perspective view of play equipment, showing my new design;  
FIG. 2 is a front view thereof;  
FIG. 3 is a rear view thereof;  
FIG. 4 is a left side view thereof;  
FIG. 5 is a right side view thereof;  
FIG. 6 is a top plan view thereof; and,  
FIG. 7 is a bottom plan view thereof.

**1 Claim, 7 Drawing Sheets**



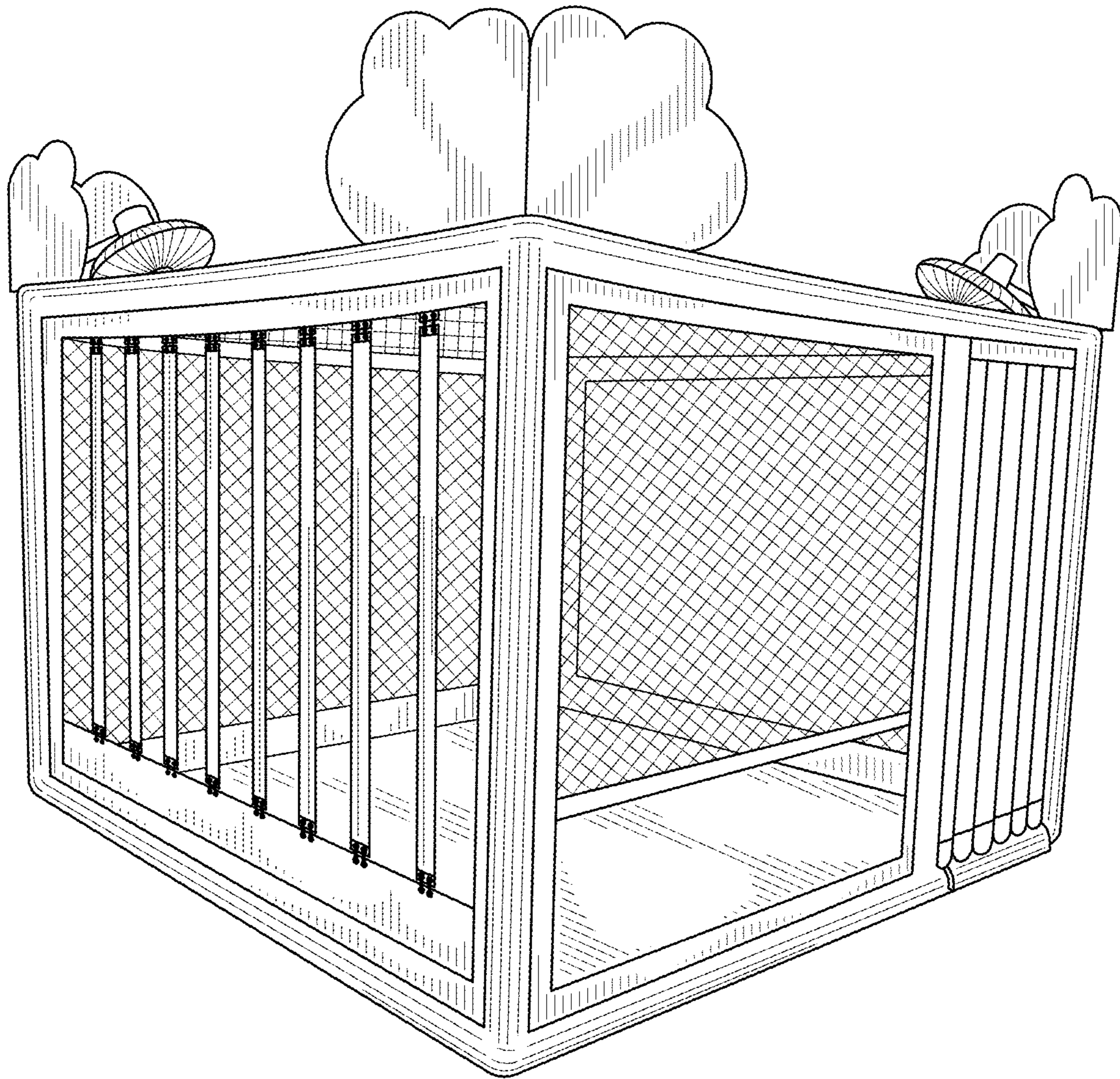


FIG. 1

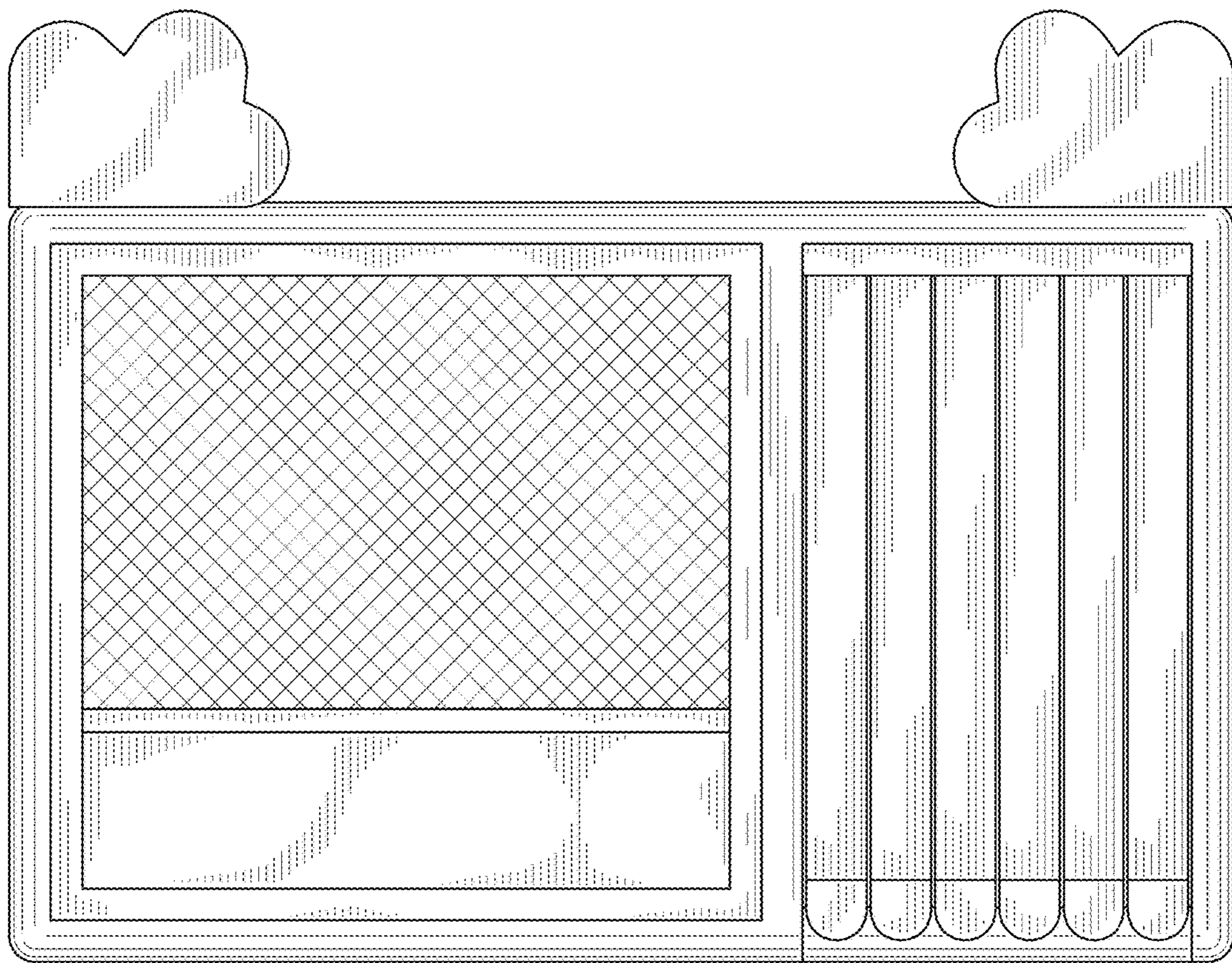


FIG. 2

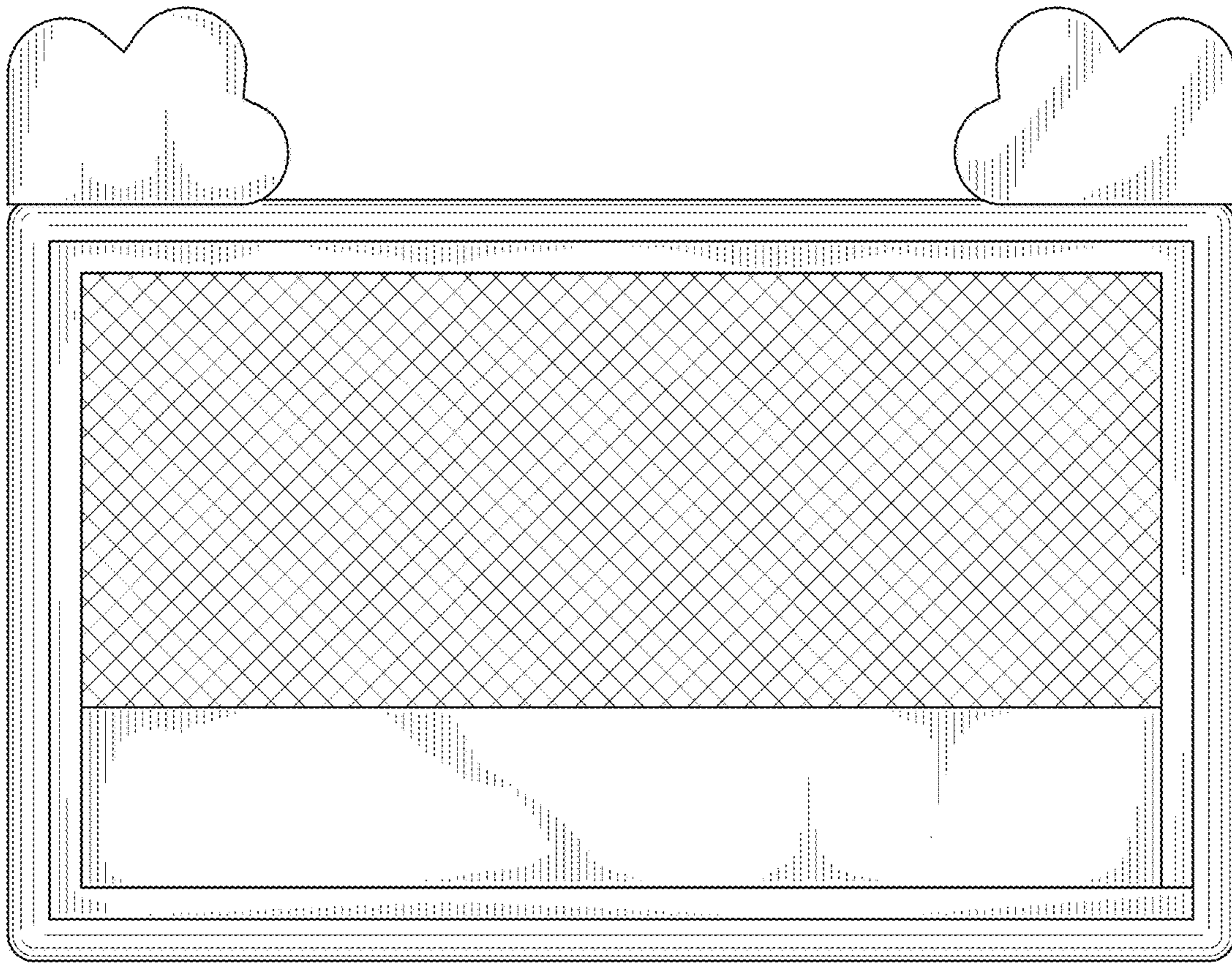


FIG. 3

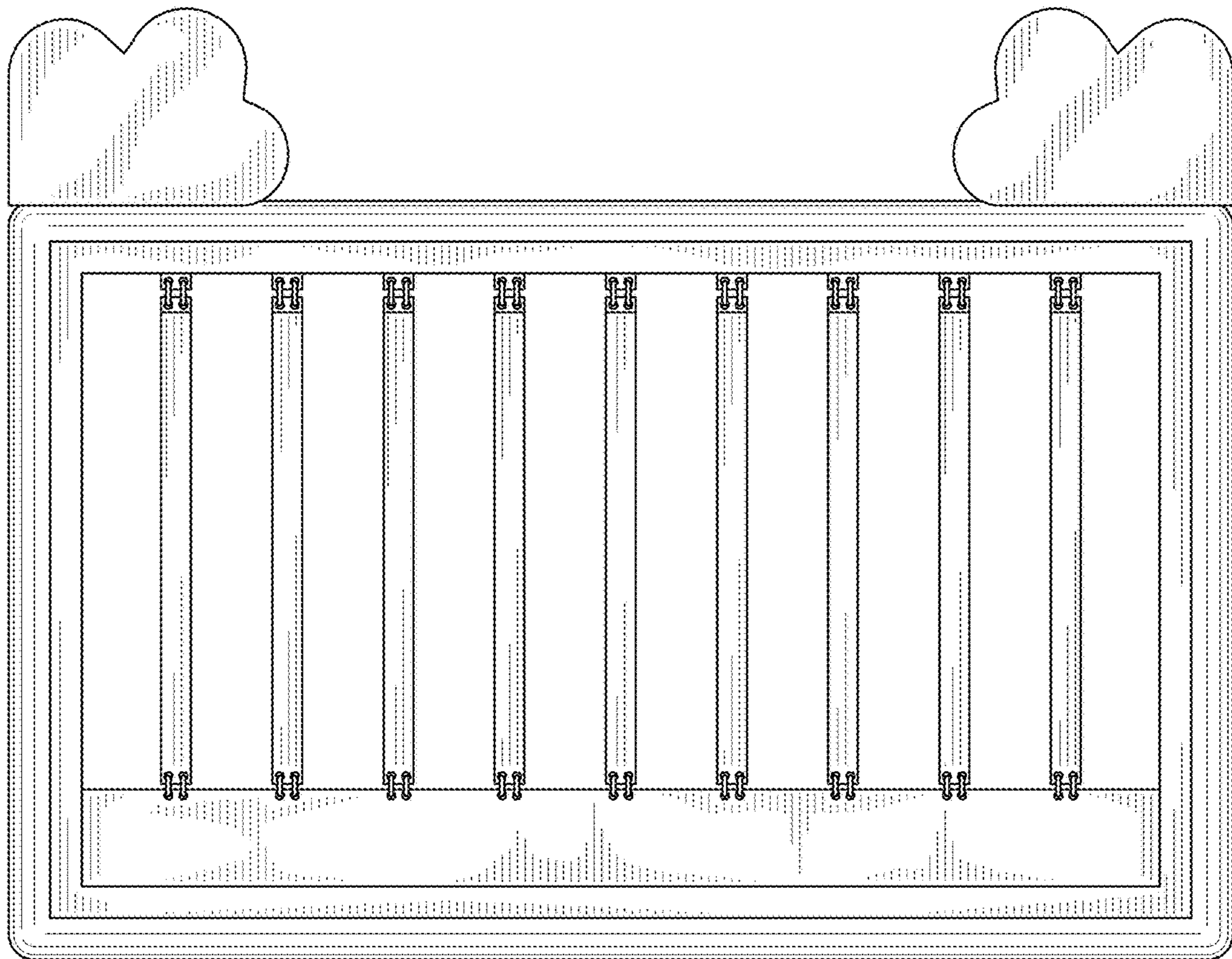


FIG. 4

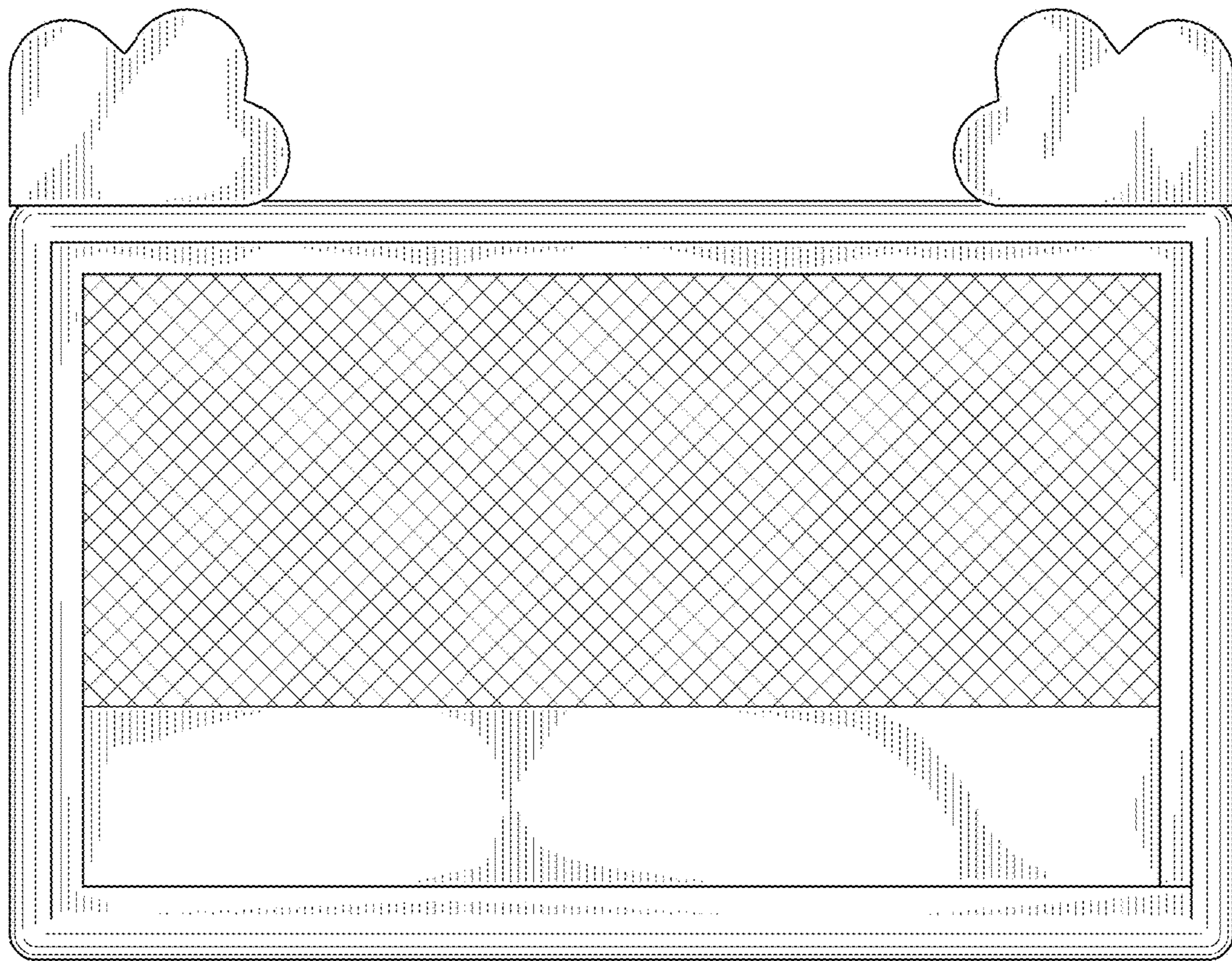


FIG. 5

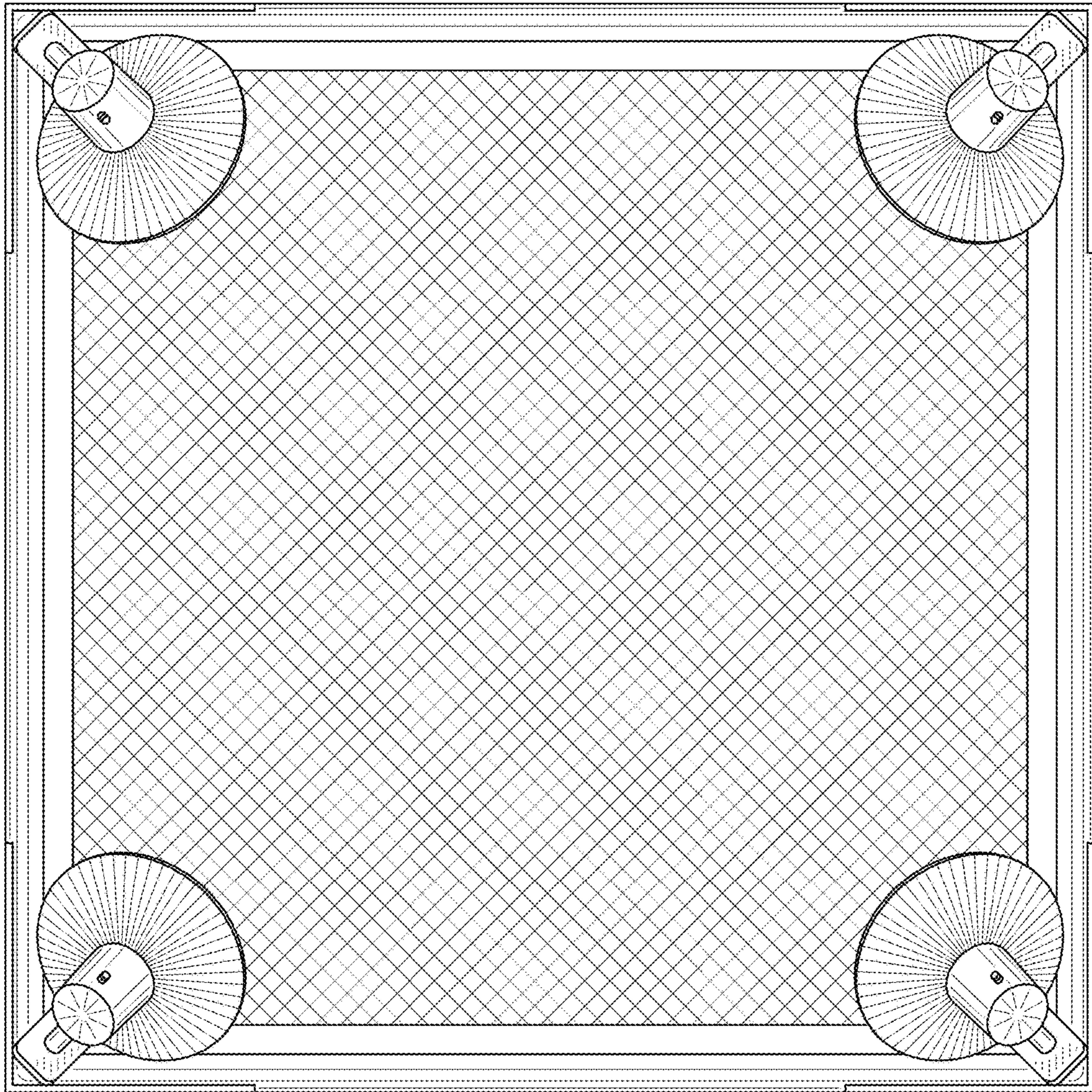


FIG. 6

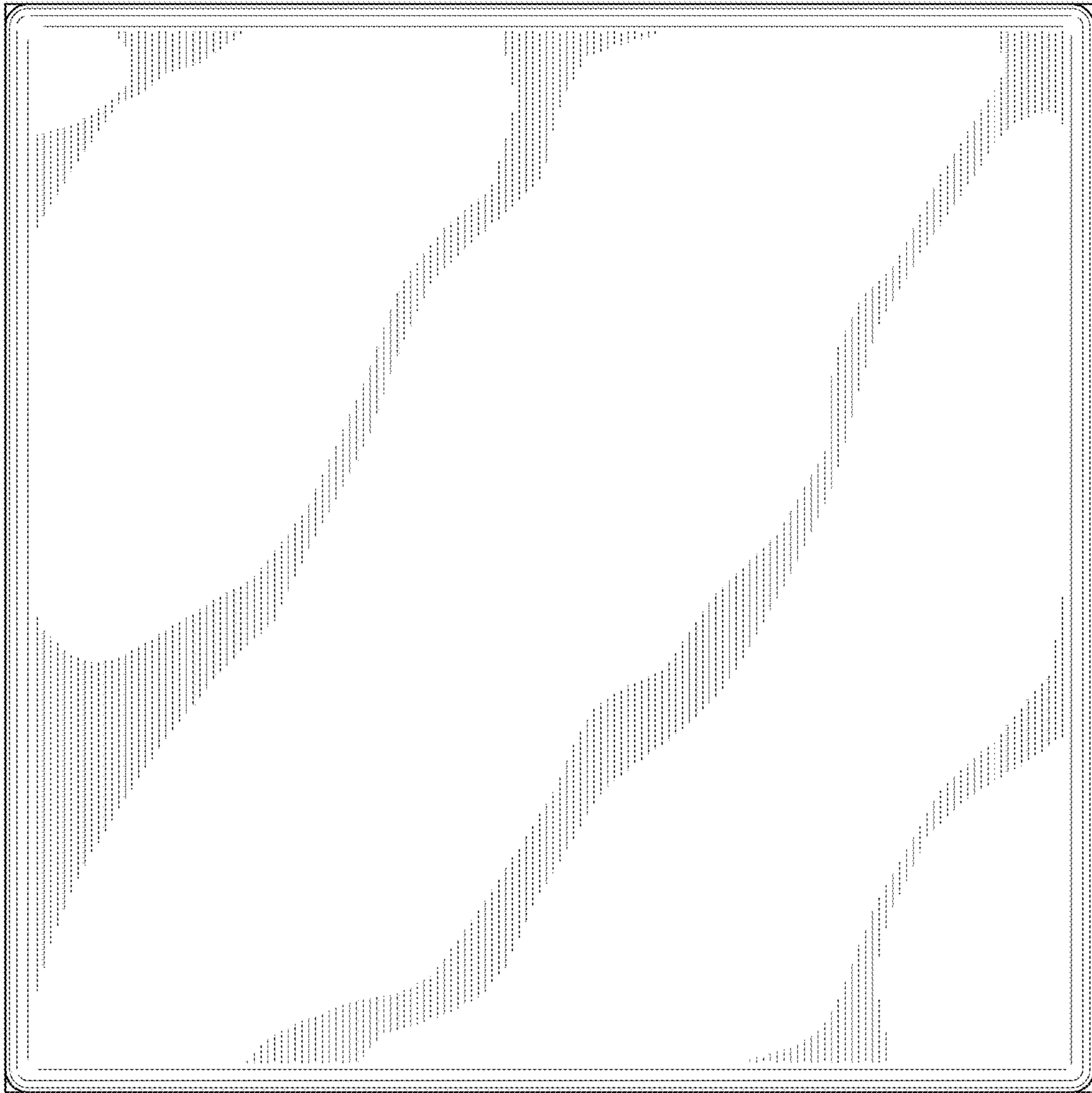


FIG. 7