



US00D786997S

(12) **United States Design Patent**
Gaut

(10) **Patent No.:** **US D786,997 S**

(45) **Date of Patent:** **** May 16, 2017**

- (54) **TRAMPOLINE EXERCISE APPARATUS**
- (71) Applicant: **Eddie Emanuel Gaut**, Irvine, CA (US)
- (72) Inventor: **Eddie Emanuel Gaut**, Irvine, CA (US)
- (73) Assignee: **DETAUG INC.**, Irvine, CA (US)
- (**) Term: **15 Years**

5,613,922 A 3/1997 Hsiang
 5,634,870 A 6/1997 Wilkinson
 D384,115 S * 9/1997 Wilkinson D21/668
 (Continued)

FOREIGN PATENT DOCUMENTS

CN 201775896 3/2011

OTHER PUBLICATIONS

Spring Rebounder by JumpSport dated no date given. Found online [Dec. 17, 2016] <http://www.jumpsport.com/JumpSport-Spring-Rebounder?sc=15&category=39040>.*

(Continued)

- (21) Appl. No.: **29/544,608**
- (22) Filed: **Nov. 4, 2015**
- (51) **LOC (10) Cl.** **21-02**
- (52) **U.S. Cl.**
USPC **D21/797**
- (58) **Field of Classification Search**
USPC D21/797, 668, 669, 834, 826, 671, 672;
D6/716; 482/27, 35, 29, 112, 33, 110,
482/148, 28, 77, 147, 51; 297/452.18;
135/96, 117; D30/112; D25/1, 16, 22,
D25/56; 446/220; 473/469; 182/139,
182/224; 273/395, 402
CPC A63B 5/11; A63B 21/023; A63B 2208/12;
A63B 71/022; A63B 2210/50
See application file for complete search history.

Primary Examiner — Robert M Spear
Assistant Examiner — Ryan Harvey
 (74) *Attorney, Agent, or Firm* — Hankin Patent Law,
 APC; Kevin Schraven Anooj Patel

(57) **CLAIM**

The ornamental design for a trampoline exercise apparatus, as shown and described.

DESCRIPTION

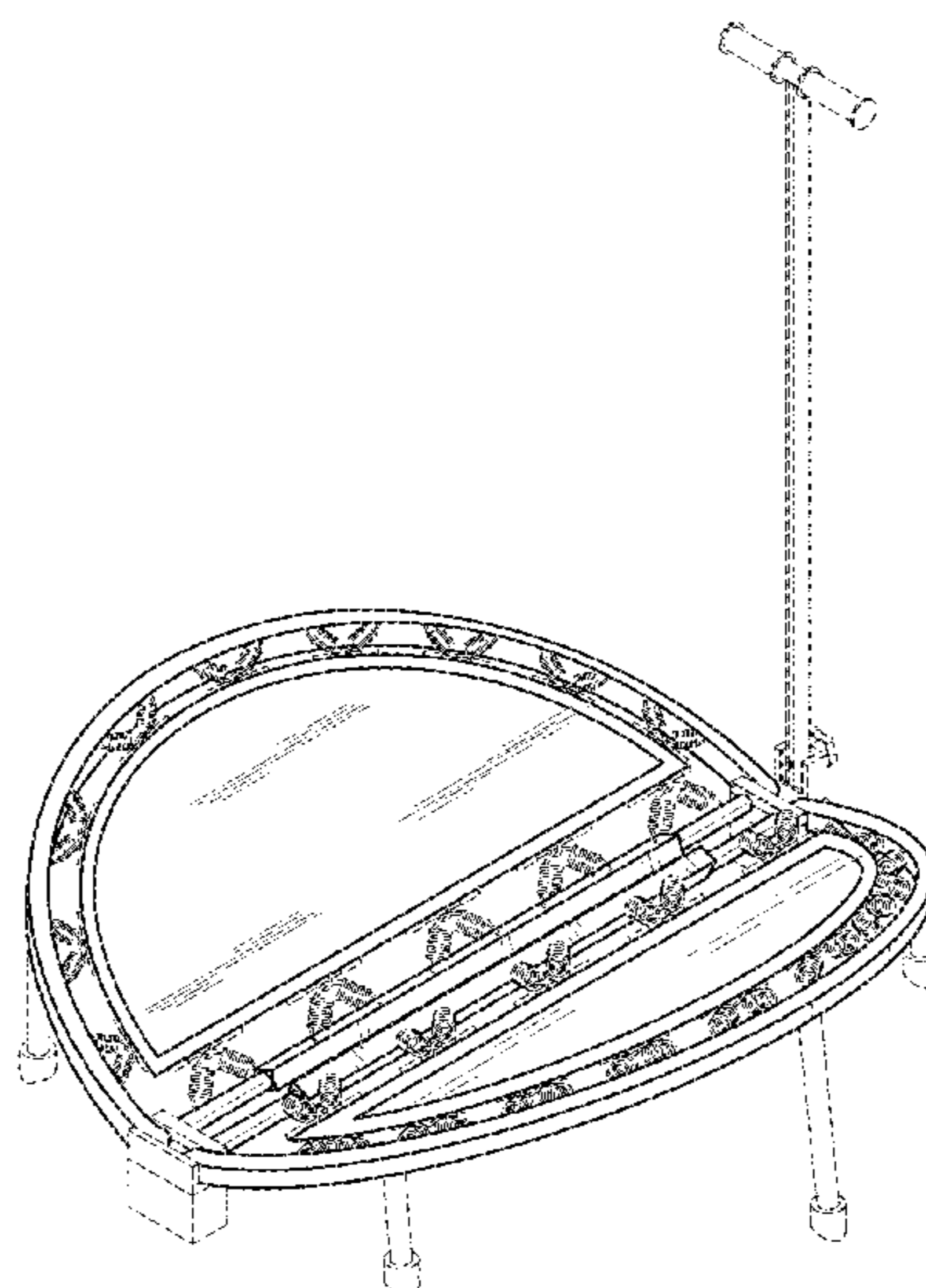
FIG. 1 is a top perspective view of a trampoline exercise apparatus, showing my new design.
 FIG. 2 is a front elevational view thereof.
 FIG. 3 is a rear elevational view thereof.
 FIG. 4 is a right side elevational view thereof.
 FIG. 5 is a left side elevational view thereof.
 FIG. 6 is a top plan view thereof.
 FIG. 7 is a bottom plan view thereof.
 FIG. 8 is a bottom perspective view thereof.
 FIG. 9 is a top perspective view of the trampoline exercise apparatus, showing my design; and,
 FIG. 10 is a front elevational view thereof.
 The broken lines are for the purpose of illustrating environmental structure and unclaimed subject matter and form no part of the claimed design.

1 Claim, 10 Drawing Sheets

(56) **References Cited**

U.S. PATENT DOCUMENTS

- 2,590,049 A 3/1952 Sidlinger
- 2,858,132 A 10/1958 Sidlinger
- 3,427,026 A 2/1969 Mahoney
- 4,225,131 A 9/1980 Sidlinger et al.
- 4,483,531 A 11/1984 Laseman et al.
- 4,489,933 A 12/1984 Fisher et al.
- 4,598,905 A 7/1986 Vrana
- 4,730,826 A 3/1988 Sudmeier
- 4,824,100 A 4/1989 Hall et al.
- 5,074,550 A 12/1991 Sloan
- D362,478 S * 9/1995 Wilkinson D21/797
- D363,325 S * 10/1995 Wilkinson D21/797
- 5,533,948 A 7/1996 Wilkinson



(56)

References Cited

U.S. PATENT DOCUMENTS

5,803,874 A 9/1998 Wilkinson
 5,947,870 A 9/1999 Hall et al.
 5,980,432 A 11/1999 Ahman
 6,162,061 A 12/2000 Taylor
 6,237,169 B1* 5/2001 Ying A63B 5/11
 482/27
 6,599,221 B1 7/2003 Goldwitz
 7,104,901 B1 9/2006 Mason
 7,468,020 B2* 12/2008 Lai A63B 5/11
 16/324
 7,833,131 B2 11/2010 Rote
 7,862,479 B2 1/2011 Goldwitz
 8,043,172 B2 10/2011 Campanaro et al.
 8,047,967 B1* 11/2011 Teng A63B 5/11
 482/27
 D716,574 S * 11/2014 Akkad D6/368
 D720,550 S * 1/2015 Akkad D6/368
 D758,515 S * 6/2016 Tsai D21/797
 2005/0209053 A1 9/2005 Knox
 2006/0172861 A1 8/2006 Wang et al.
 2007/0010374 A1* 1/2007 Widich A63B 5/11
 482/27
 2007/0021272 A1 1/2007 Slade

2009/0011906 A1 1/2009 Fernandez et al.
 2011/0021321 A1 1/2011 Legg
 2012/0184412 A1 7/2012 Glaner
 2013/0210590 A1 8/2013 Publicover et al.
 2015/0076888 A1* 3/2015 Xu A63G 9/14
 297/452.18

OTHER PUBLICATIONS

JML Direct, Powermaxx: Indoor Trampoline with Adjustable Handle, brochure, Aug. 20, 2015, United Kingdom <http://www.jmldirect.com/uk/body-firming-and-toning/powermaxx-indoortrampoline-with-adjustable-handle/invt/p0nft50100000001>.
 Dick's Sporting Goods, Champion Multi-Purpose Rebounder, brochure, Nov. 11, 2015, United States <http://www.dickssportinggoods.com/product/index.jsp?productId=13188234&cp=4406646.4413986.4417717&categoryId=4417750>.
 Trampolines for You, Best Trampolines for Exercise to Improve Your Cardio Health, May 9, 2015, United States <http://www.trampolinesforyou.com/best-trampolines-for-exercise-review/>.
 Amazon, Urban Rebounder Trampoline with Workout DVD & Stabilizing Bar, United States <http://www.amazon.com/Urban-Rebounder-Trampoline-Workout-Stabilizing/dp/B000Q6JO0U>.

* cited by examiner

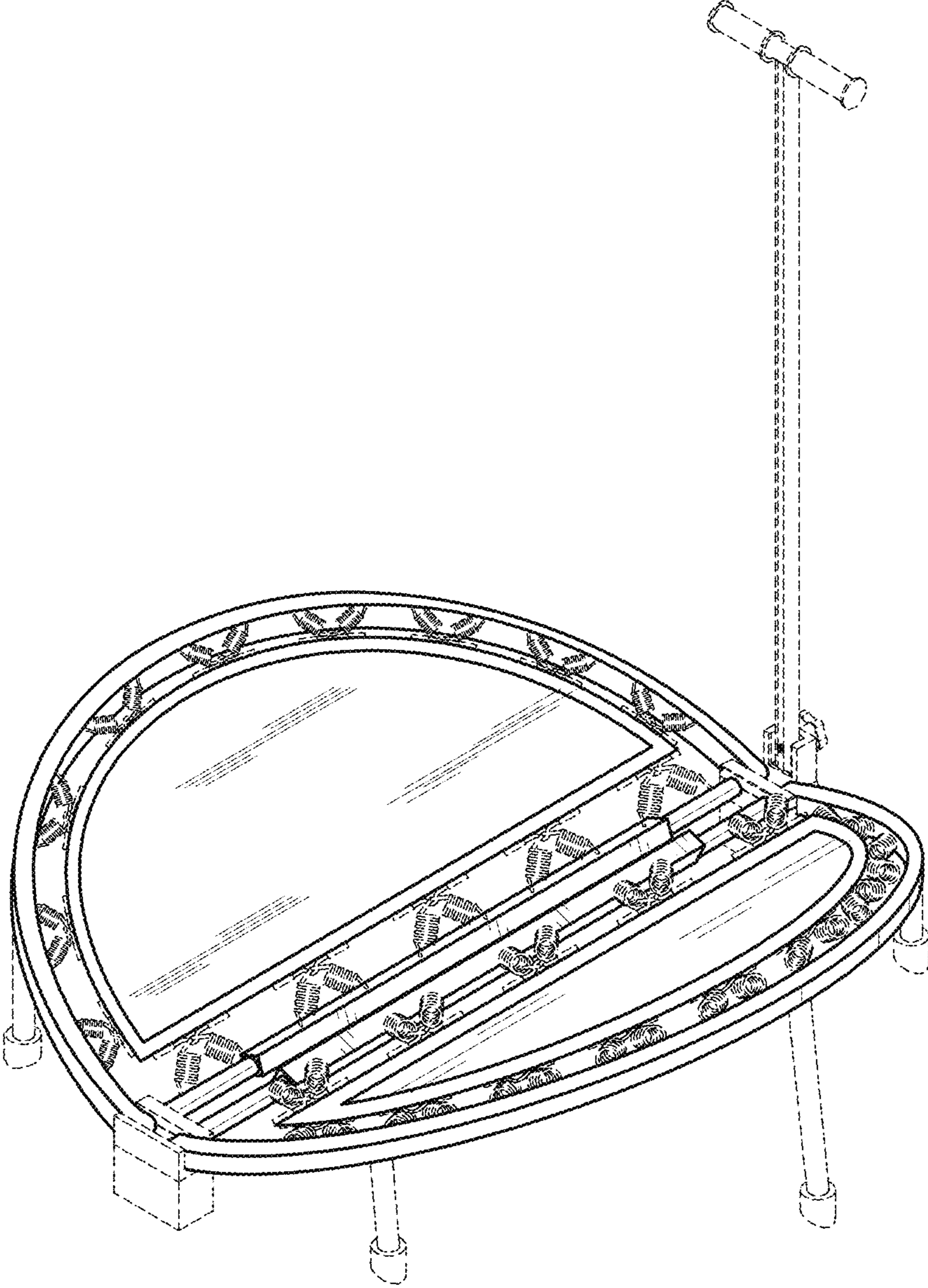


FIG. 1

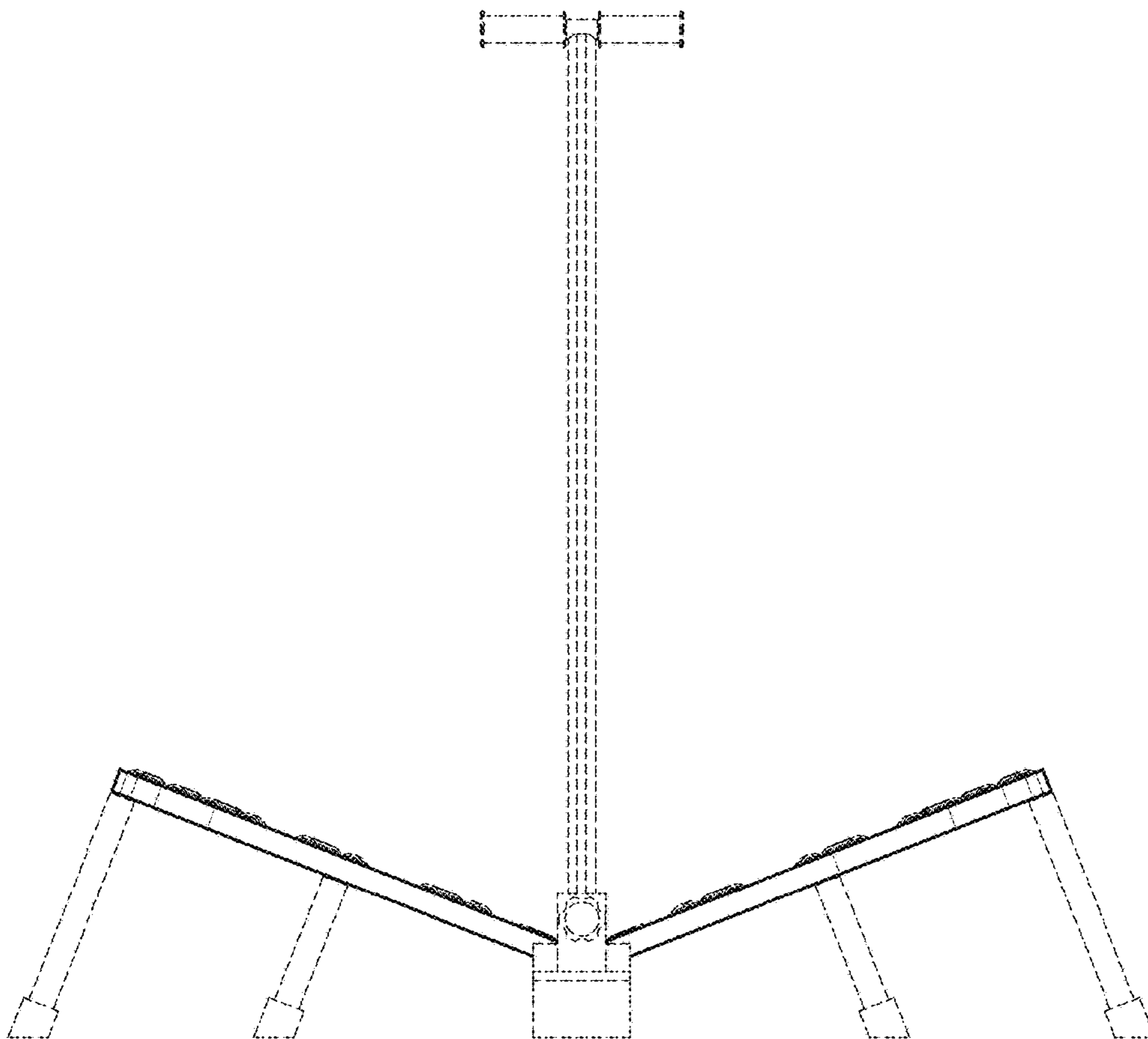


FIG. 2

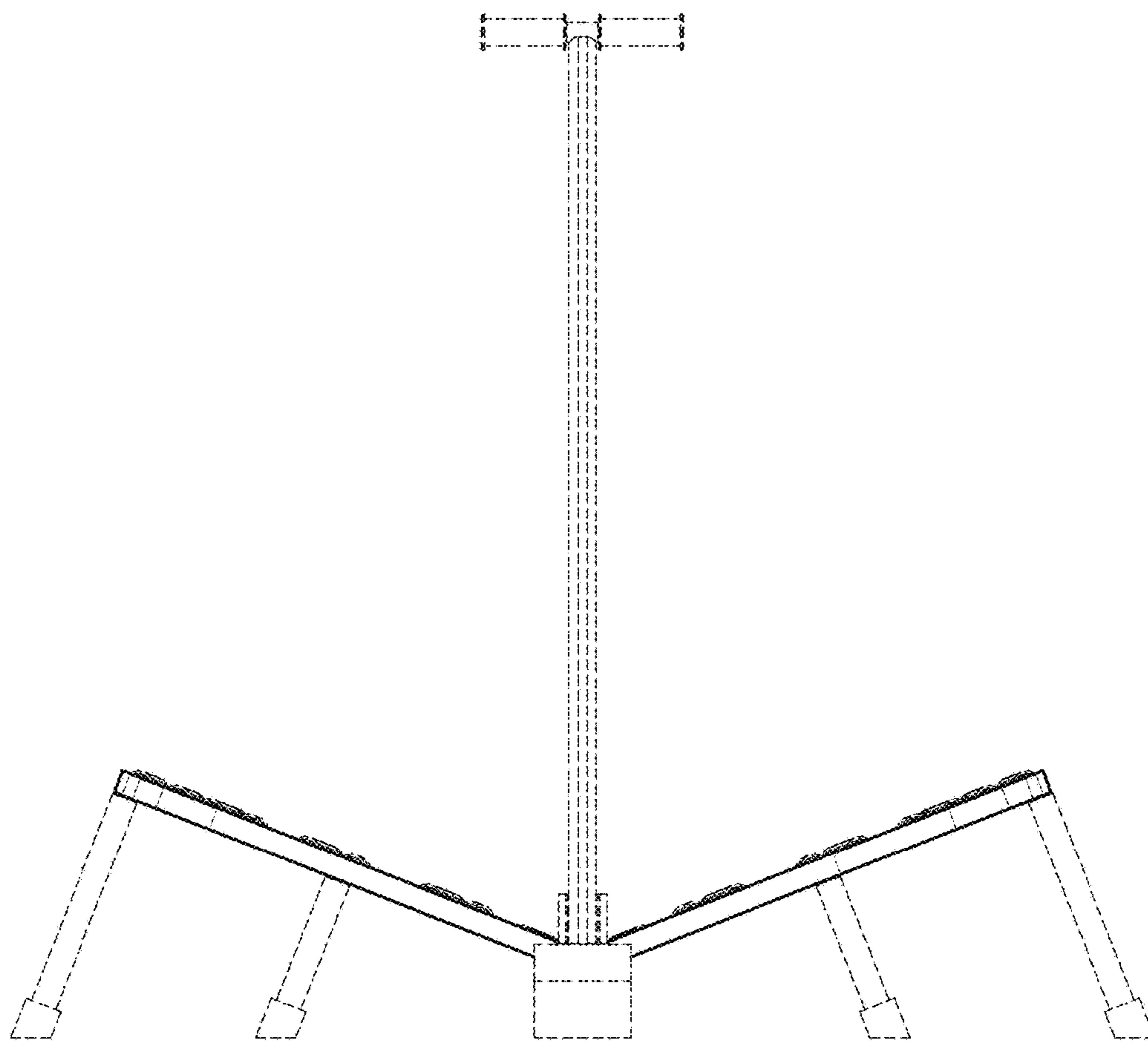


FIG. 3

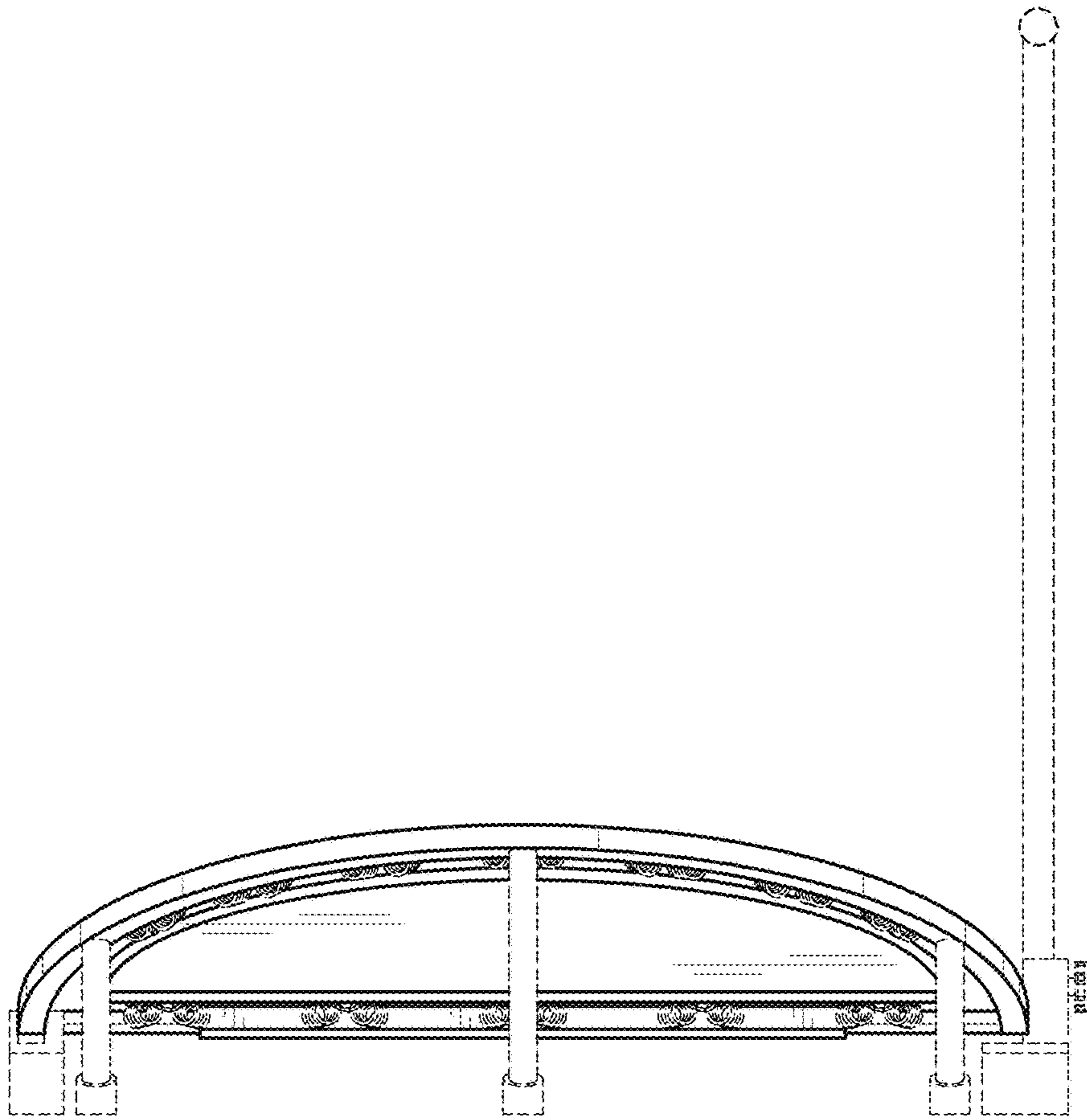


FIG. 4

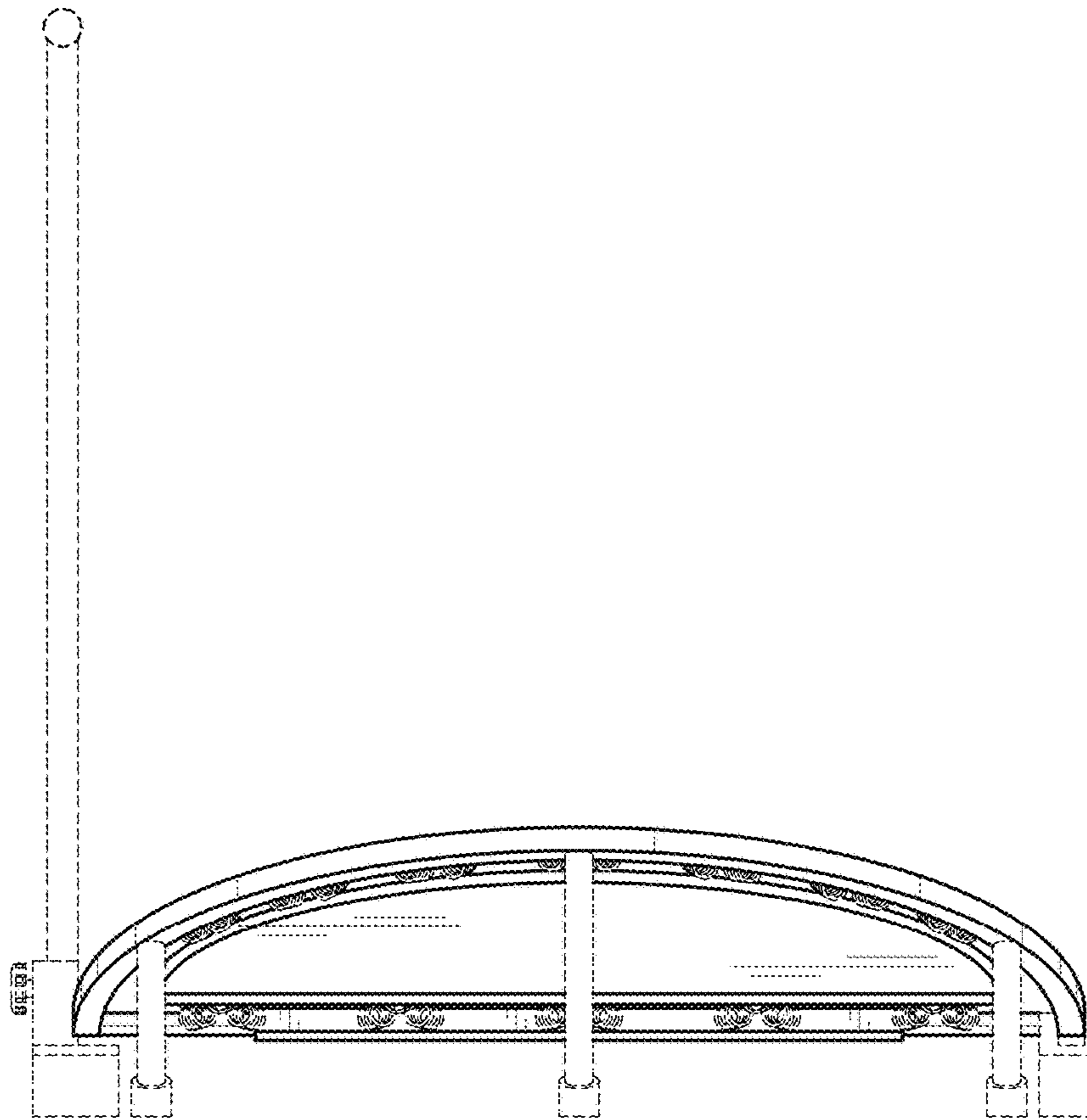


FIG. 5

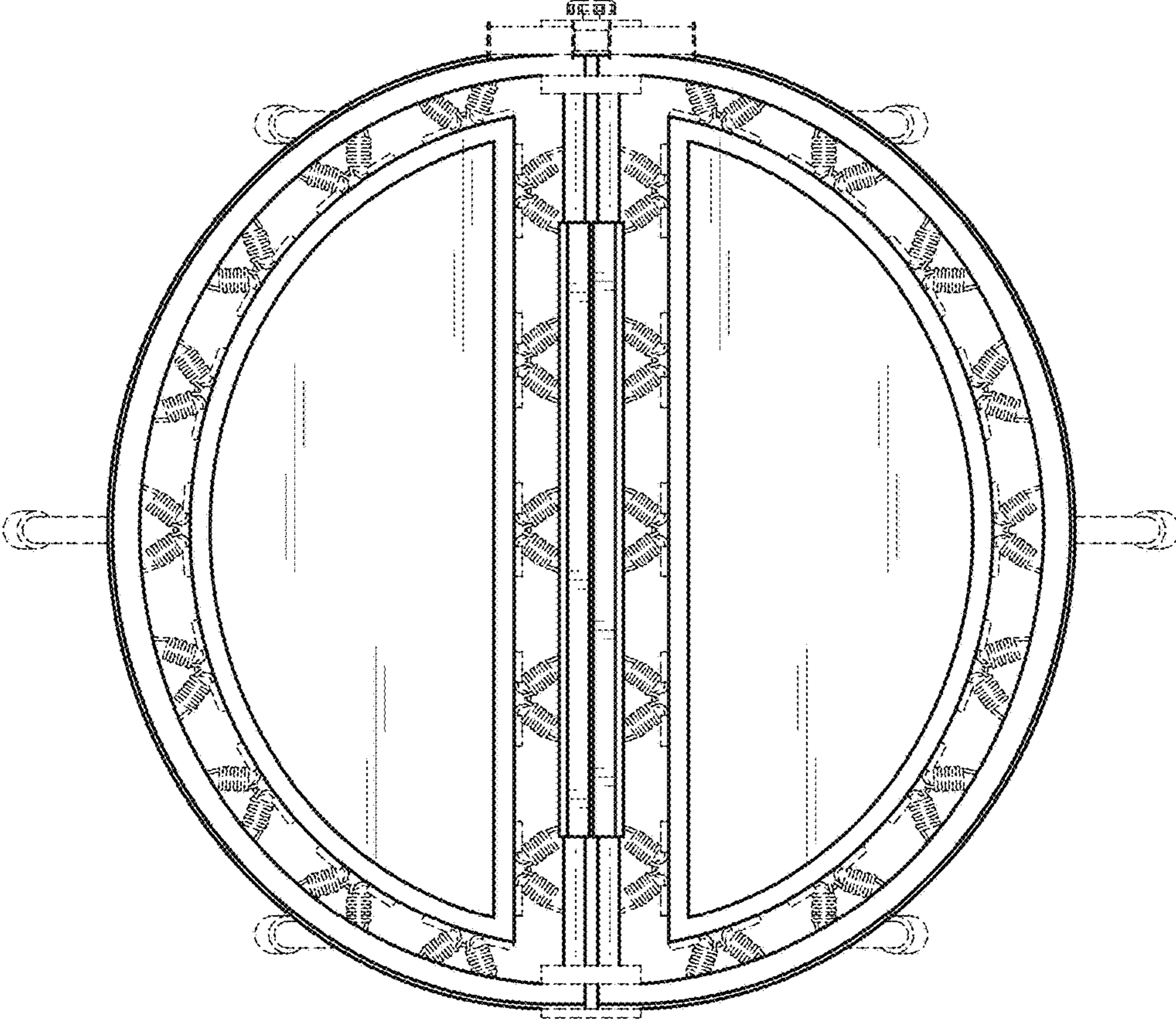


FIG. 6

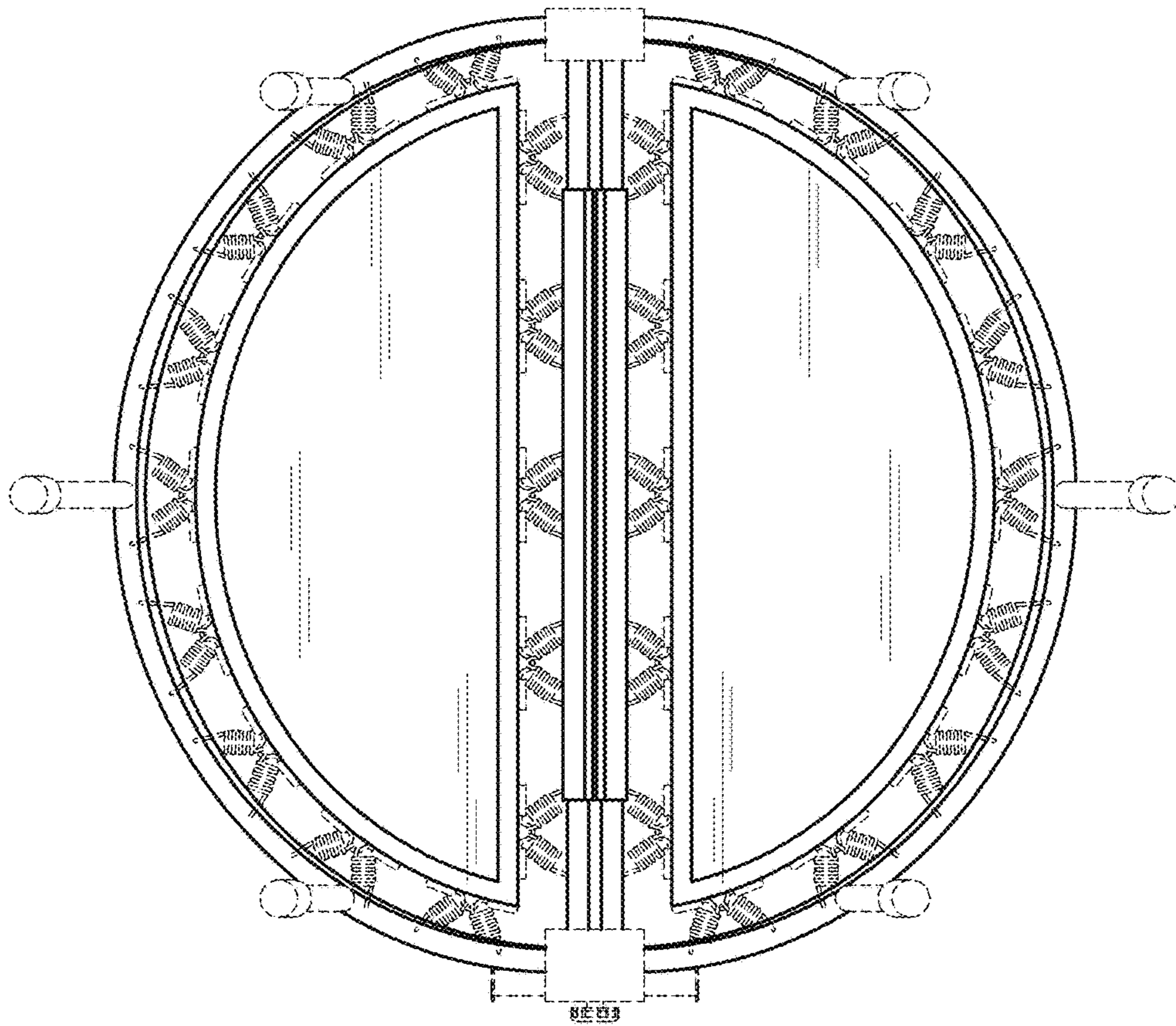


FIG. 7

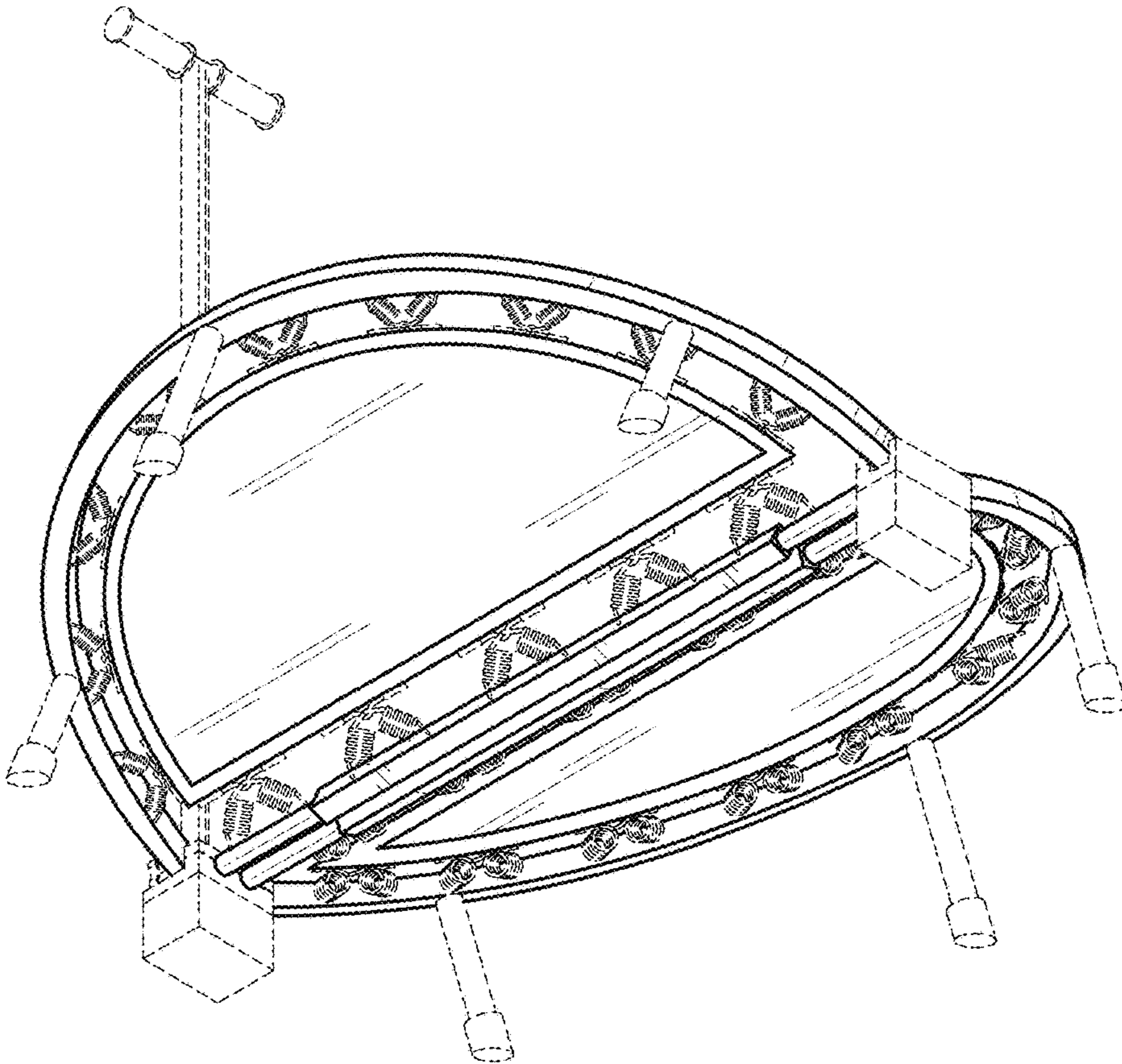


FIG. 8

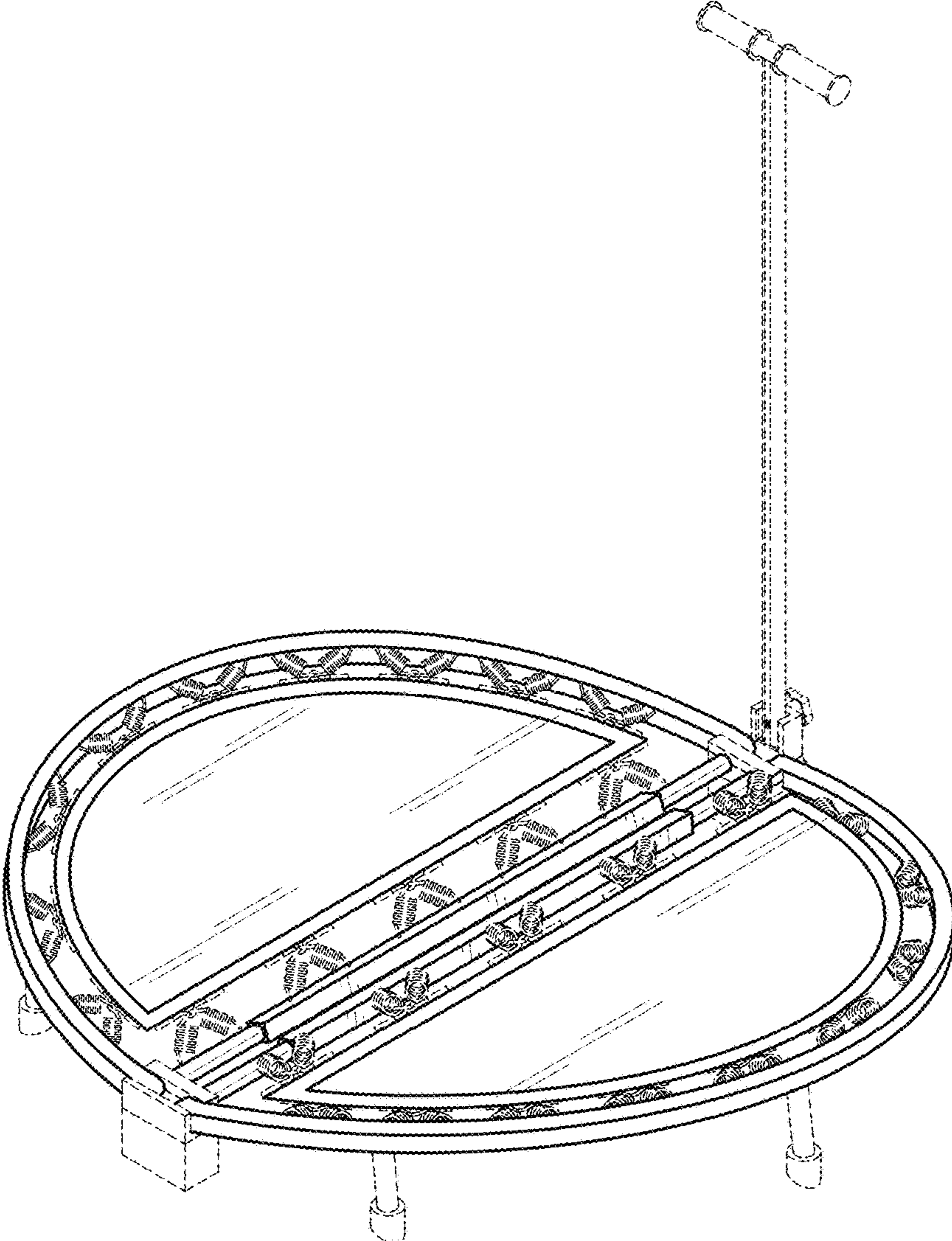


FIG. 9

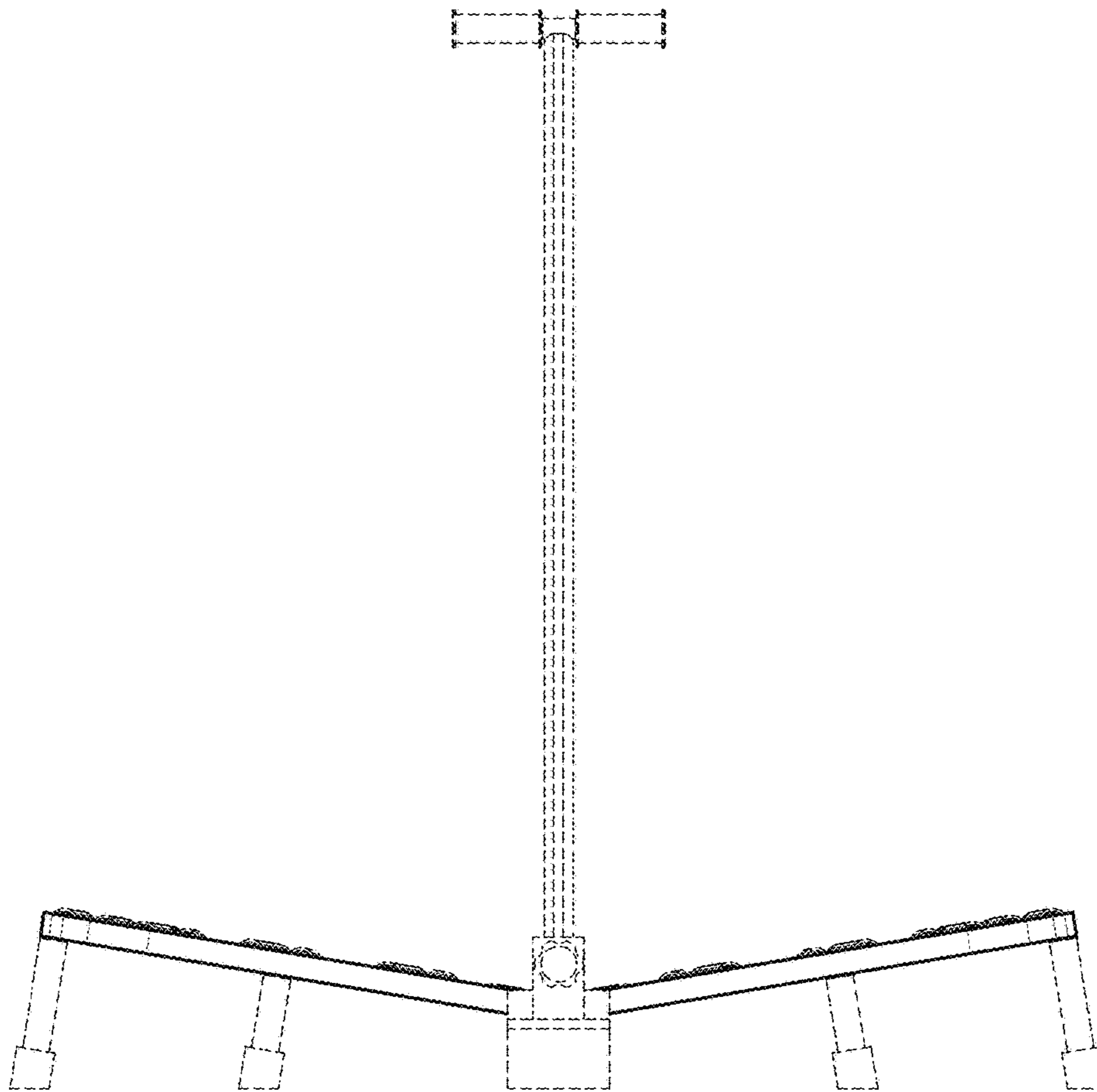


FIG. 10

UNITED STATES PATENT AND TRADEMARK OFFICE
CERTIFICATE OF CORRECTION

PATENT NO. : D786,997 S
APPLICATION NO. : 29/544608
DATED : May 16, 2017
INVENTOR(S) : Eddie Emanuel Gaut

Page 1 of 1

It is certified that error appears in the above-identified patent and that said Letters Patent is hereby corrected as shown below:

On the Title Page

The Assignee's Name (73) should read as follows:
DETUAG INC.

Signed and Sealed this
Third Day of October, 2017



Joseph Matal
*Performing the Functions and Duties of the
Under Secretary of Commerce for Intellectual Property and
Director of the United States Patent and Trademark Office*