



US00D786996S

(12) **United States Design Patent** (10) **Patent No.:** **US D786,996 S**
Sarkees (45) **Date of Patent:** **** May 16, 2017**

(54) **TACKLING DUMMY**
(71) Applicant: **Martin Sarkees**, Central, SC (US)
(72) Inventor: **Martin Sarkees**, Central, SC (US)
(**) Term: **15 Years**
(21) Appl. No.: **29/564,384**
(22) Filed: **May 12, 2016**
(51) **LOC (10) Cl.** **21-02**
(52) **U.S. Cl.**
USPC **D21/788**
(58) **Field of Classification Search**
USPC D21/621, 623, 627, 635, 698, 699, 780,
D21/787, 788, 798, 302-306; D20/31,
D20/32; D29/100; 473/422, 438,
473/440-445; 482/83-90
CPC A63B 63/00; A63B 69/00; A63B 69/002;
A63B 69/004; A63B 69/34; A63B
69/345; A63B 69/20; A63B 69/201; A63B
69/203; A63B 69/205; A63B 69/206;
A63B 69/208; A63B 69/26; A63B 71/12;
A63B 2071/0063; A63B 2071/1208
See application file for complete search history.

3,907,291 A 9/1975 Parker
D239,849 S * 5/1976 Kopp D21/788
5,090,696 A * 2/1992 Forrest, Sr. A63B 69/345
473/444
5,281,191 A 1/1994 DeSousa
5,335,906 A 8/1994 Delker
5,415,552 A * 5/1995 Harmon A63B 69/345
434/247
6,261,194 B1 * 7/2001 Hadar A63B 69/345
473/422
6,942,585 B1 * 9/2005 Krause A63B 69/002
473/441
7,056,238 B1 6/2006 Brown
D678,444 S 3/2013 Jordan
D679,769 S * 4/2013 Staten D21/788
8,814,729 B2 8/2014 Hartigan
9,254,429 B1 2/2016 Gilman
2007/0099730 A1 * 5/2007 Driver A63B 69/002
473/422
2008/0026918 A1 * 1/2008 Lemke A63B 21/055
482/87
2011/0165972 A1 * 7/2011 Forrest, Sr. A63B 69/002
473/445

(Continued)

Primary Examiner — Catherine Tuttle
(74) *Attorney, Agent, or Firm* — Southeast IP Group,
LLC.; Thomas L. Moses; Randolph J. Tucker

(56) **References Cited**

U.S. PATENT DOCUMENTS

1,663,659 A * 3/1928 Hart A63B 69/345
473/444
RE20,652 E * 2/1938 Hecht A63H 33/06
446/101
2,749,121 A * 6/1956 Myers A63B 69/345
473/443
2,904,337 A * 9/1959 Canning A63B 69/345
473/444
2,984,485 A * 5/1961 Brown A63B 69/345
211/163
3,396,969 A 8/1968 Rosenfeld
D217,195 S * 4/1970 Burrell D20/32

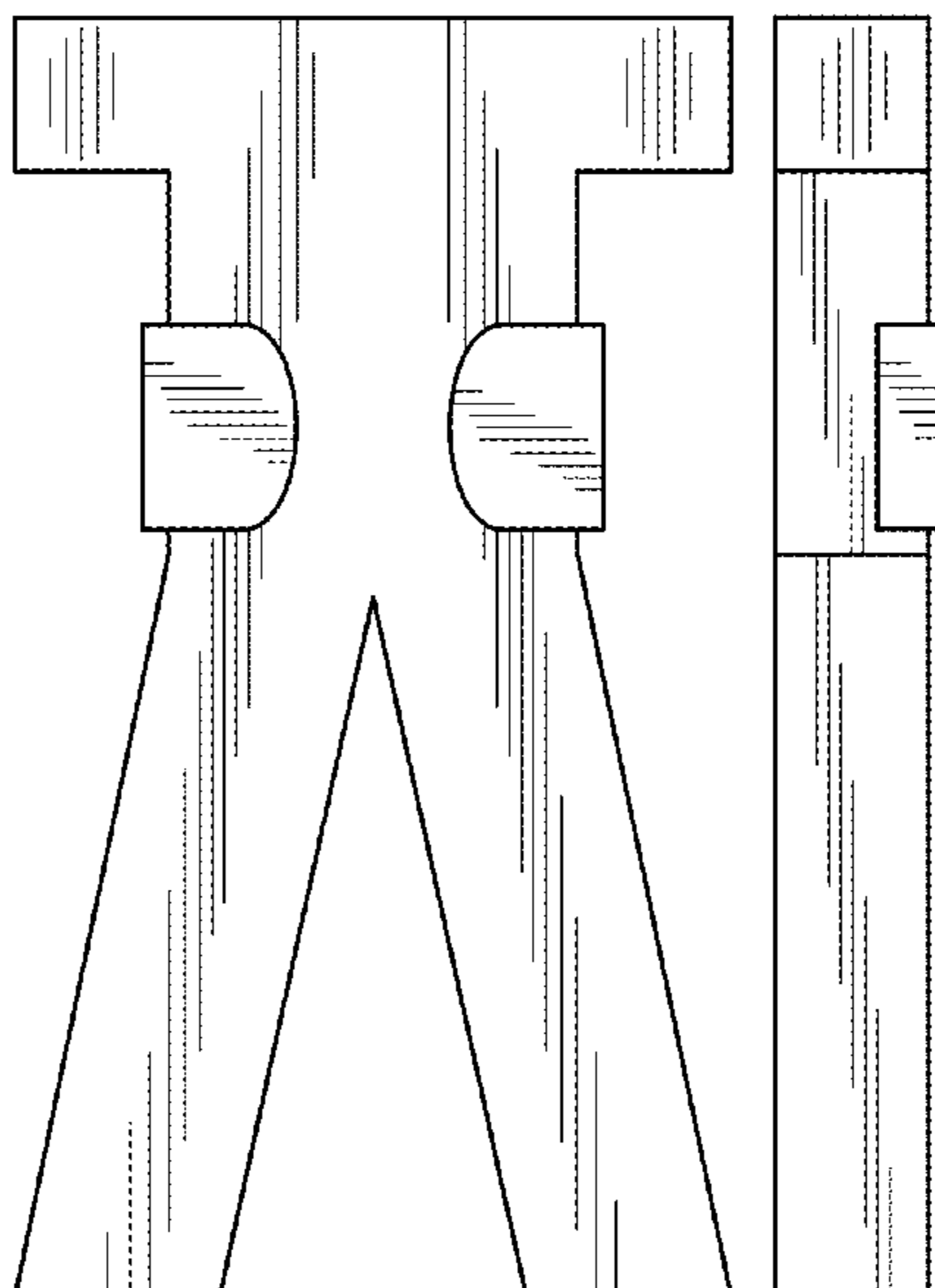
(57) **CLAIM**

The ornamental design for the tackling dummy, as shown and described.

DESCRIPTION

FIG. 1 is a front elevation view of my design for a tackling dummy;
FIG. 2 is a back elevation view thereof;
FIG. 3 is a left side elevation view thereof;
FIG. 4 is a right side elevation view thereof;
FIG. 5 is a top plan view thereof; and,
FIG. 6 is a bottom plan thereof.

1 Claim, 4 Drawing Sheets



(56)

References Cited

U.S. PATENT DOCUMENTS

2012/0252636 A1* 10/2012 Chen A63B 69/34
482/85
2013/0143693 A1* 6/2013 Forrest, Sr. A63B 69/345
473/444
2013/0296141 A1 11/2013 Partlo
2014/0302949 A1* 10/2014 Yeatman A63B 69/34
473/446
2015/0065273 A1* 3/2015 Lake A63B 69/34
473/422
2015/0258408 A1 9/2015 Arena et al.

* cited by examiner

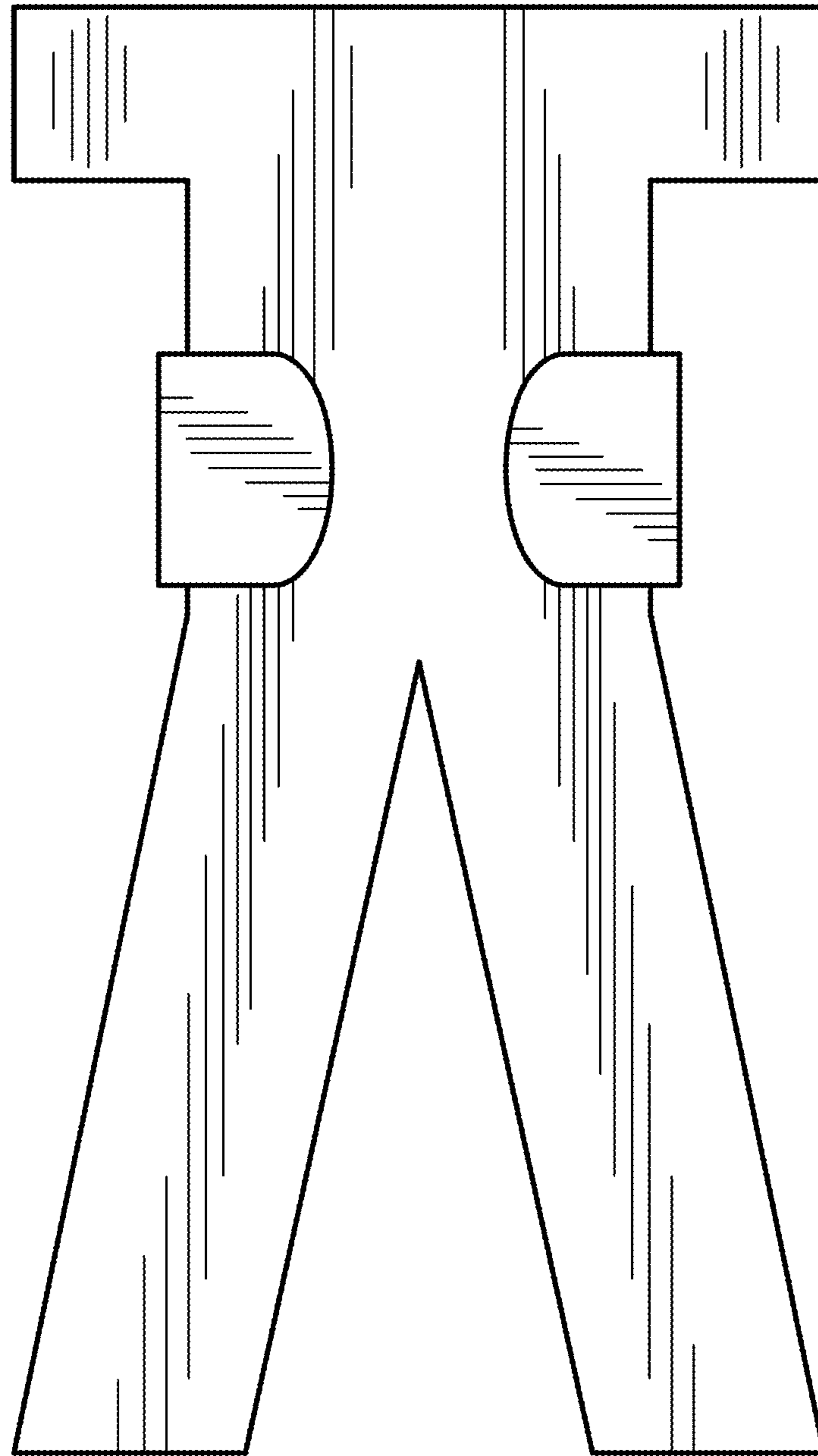


FIG. 1

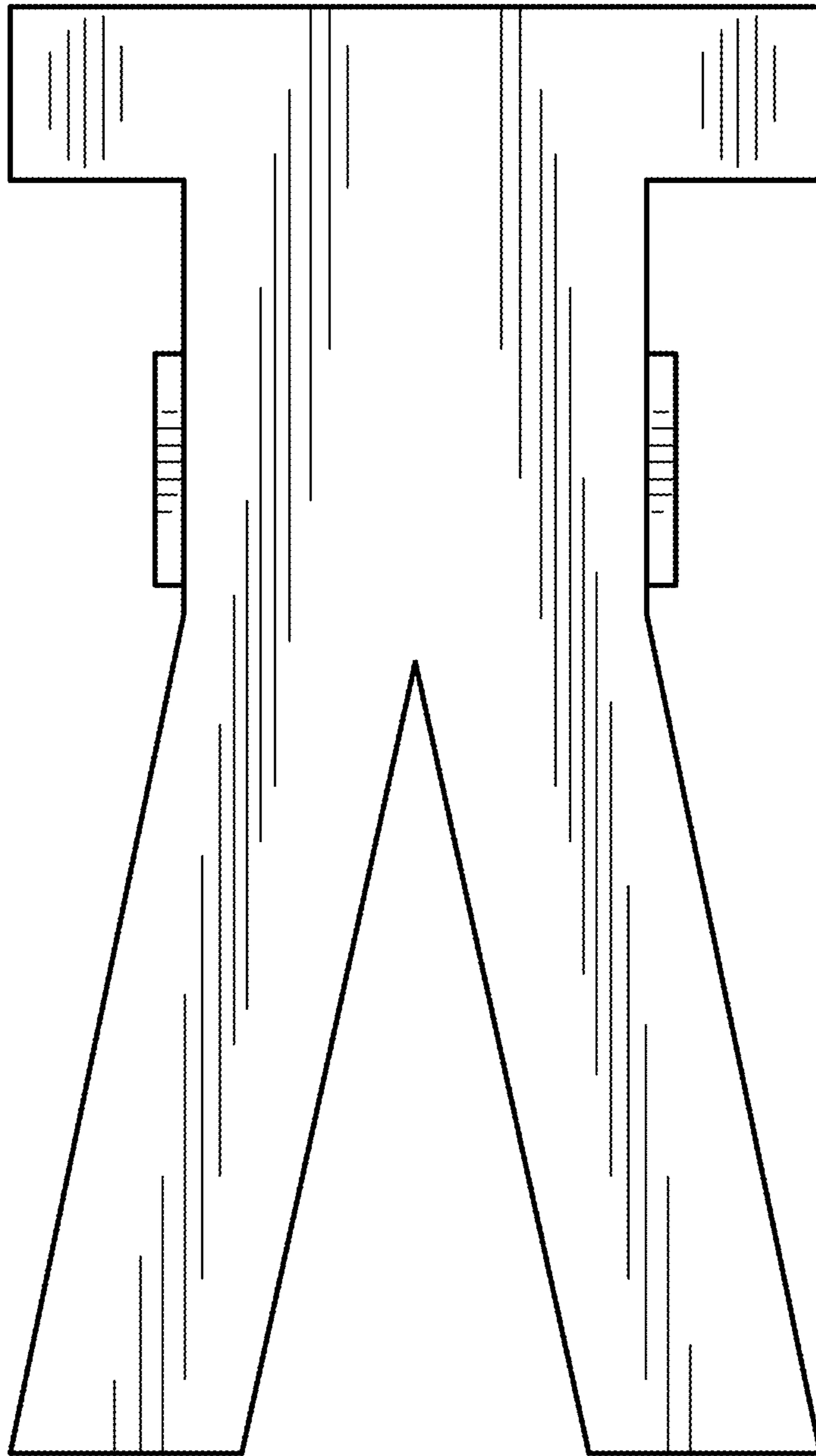


FIG. 2

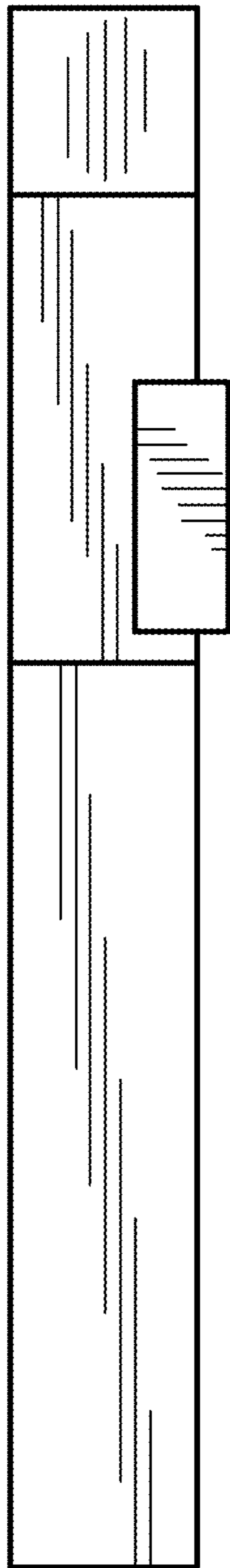


FIG. 3

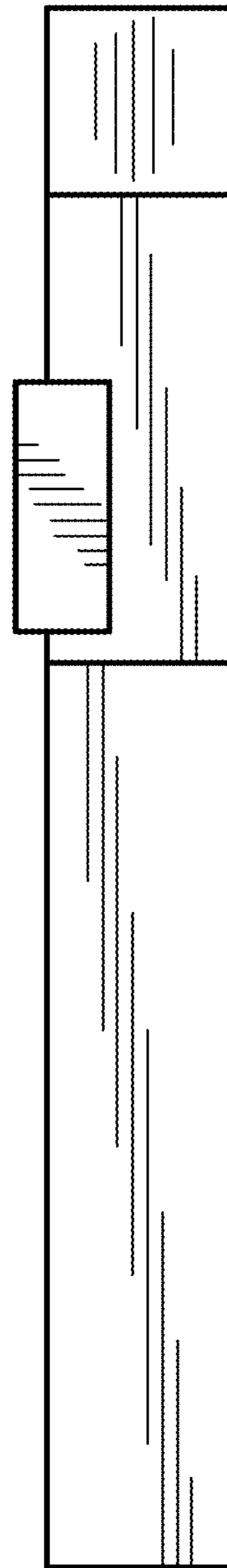


FIG. 4

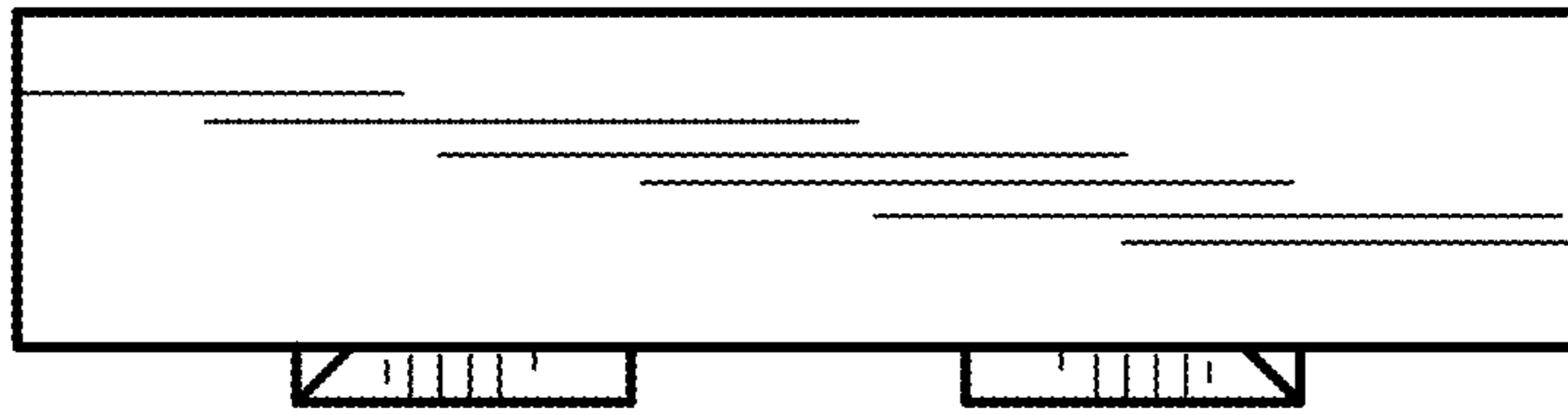


FIG. 5

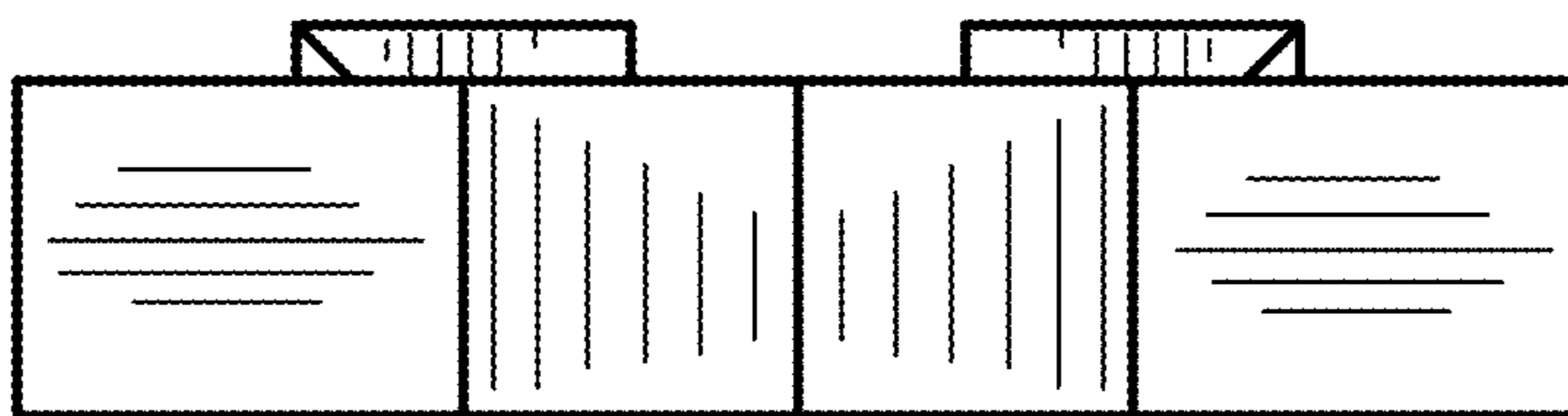


FIG. 6