



US00D786994S

(12) **United States Design Patent**
Chen et al.

(10) **Patent No.:** **US D786,994 S**

(45) **Date of Patent:** **** May 16, 2017**

(54) **SELF-BALANCING TWO-WHEELED BOARD**

(71) Applicant: **Razor USA LLC**, Cerritos, CA (US)

(72) Inventors: **Robert Chen**, Cerritos, CA (US); **Joey Huang**, Temple City, CA (US); **Sheng-Chih Yang**, Luodong Township (TW); **Ian Desberg**, Cerritos, CA (US)

(73) Assignee: **RAZOR USA LLC.**, Cerritos, CA (US)

(**) Term: **15 Years**

(21) Appl. No.: **29/556,359**

(22) Filed: **Feb. 29, 2016**

(51) **LOC (10) Cl.** **21-02**

(52) **U.S. Cl.**
USPC **D21/760**

(58) **Field of Classification Search**
USPC D21/419, 421, 423, 426, 760, 765, 766, D21/769, 771, 776, 803; D12/1
CPC A63C 17/01; A63C 17/12; A63C 2203/00; A63C 2203/011; A63C 2203/012; A63C 2203/013; A63C 2203/40; A63C 2203/52; B62D 51/02; B62K 2202/00; B62K 2207/00; B62K 2207/02; B62K 2207/04
See application file for complete search history.

(56) **References Cited**

U.S. PATENT DOCUMENTS

D535,714 S * 1/2007 Cheng D21/763
7,481,291 B2 * 1/2009 Nishikawa B62K 17/00
180/181

D601,922 S * 10/2009 Imai D12/1
8,738,278 B2 * 5/2014 Chen B62K 3/007
180/218
D737,723 S * 9/2015 Ying D12/1
D738,256 S * 9/2015 Ying D12/1
D739,906 S * 9/2015 Chen D21/760
9,376,155 B2 * 6/2016 Ying B62K 3/007
9,403,573 B1 * 8/2016 Mazzei B62D 51/02
9,499,228 B2 * 11/2016 Chang B62K 3/002
2007/0131461 A1 * 6/2007 Treadwell B62B 5/005
180/19.1
2013/0238231 A1 * 9/2013 Chen B62K 11/007
701/124

* cited by examiner

Primary Examiner — Cynthia M Chin

(74) *Attorney, Agent, or Firm* — Muncy, Geissler, Olds & Lowe, P.C.

(57) **CLAIM**

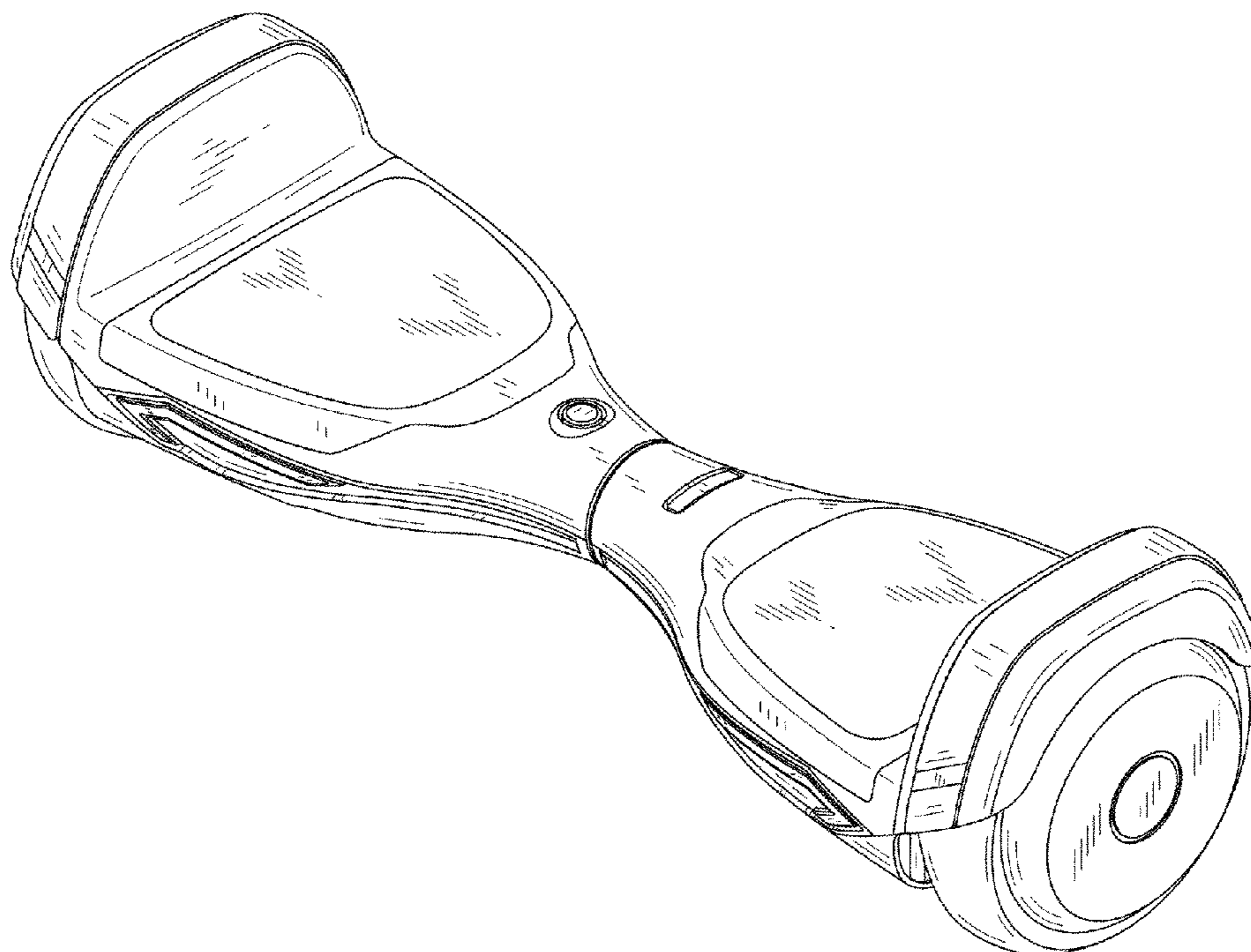
The ornamental design for a self-balancing two-wheeled board, as shown and described.

DESCRIPTION

FIG. 1 is a perspective view of the present design;
FIG. 2 is a front view of the present design;
FIG. 3 is a rear view of the present design;
FIG. 4 is a left side view of the present design;
FIG. 5 is a right side view of the present design;
FIG. 6 is a top view of the present design; and,
FIG. 7 is a bottom view of the present design.

The broken lines shown are included for the purpose of illustrating structural features of the article which form no part of the claimed design.

1 Claim, 6 Drawing Sheets



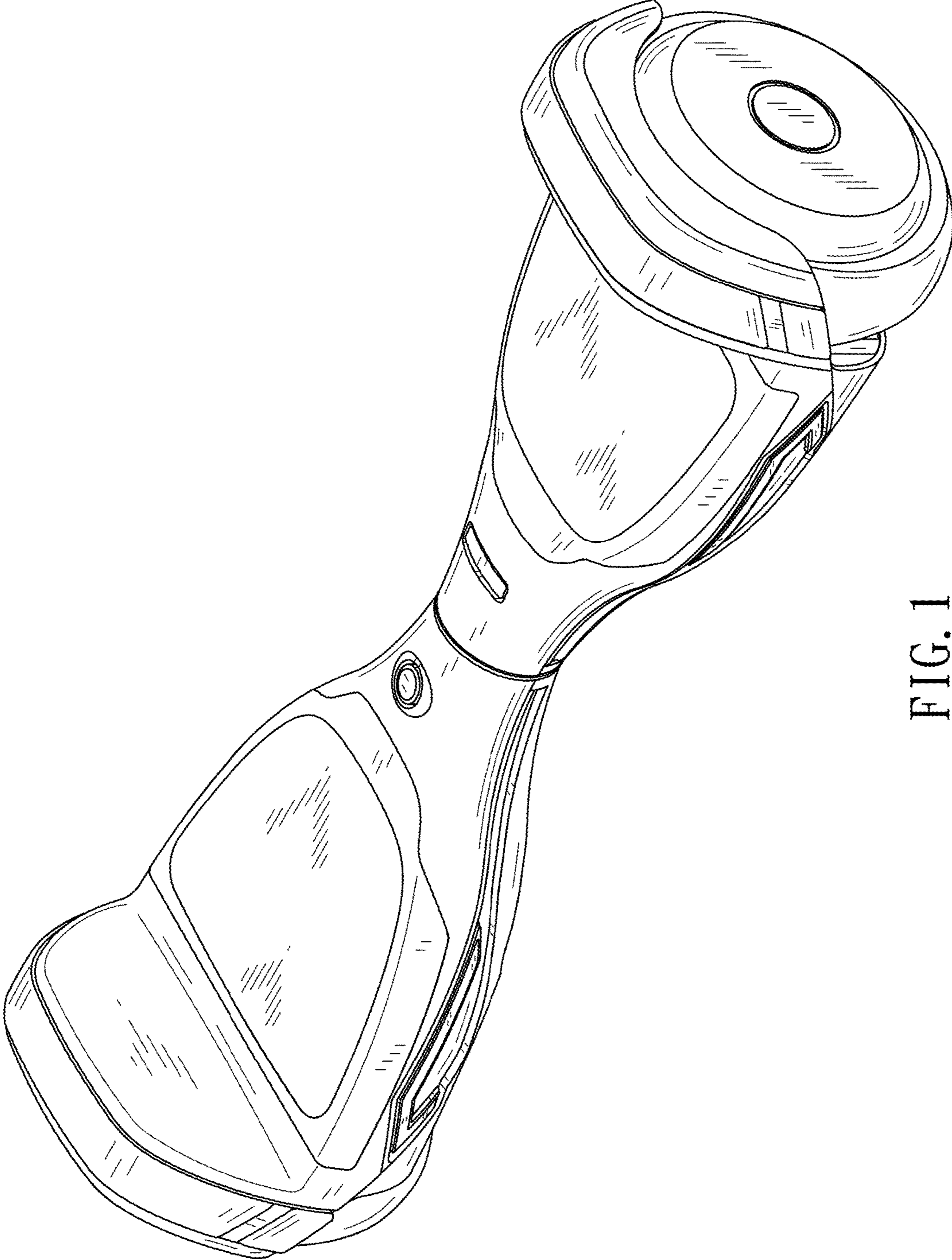


FIG. 1

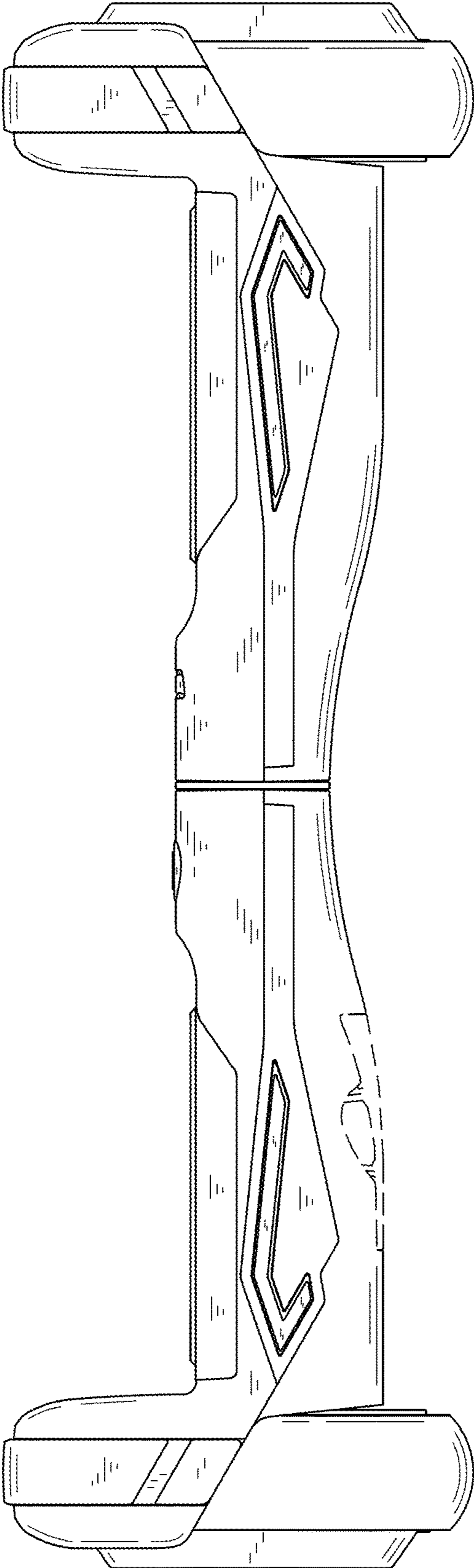


FIG. 2

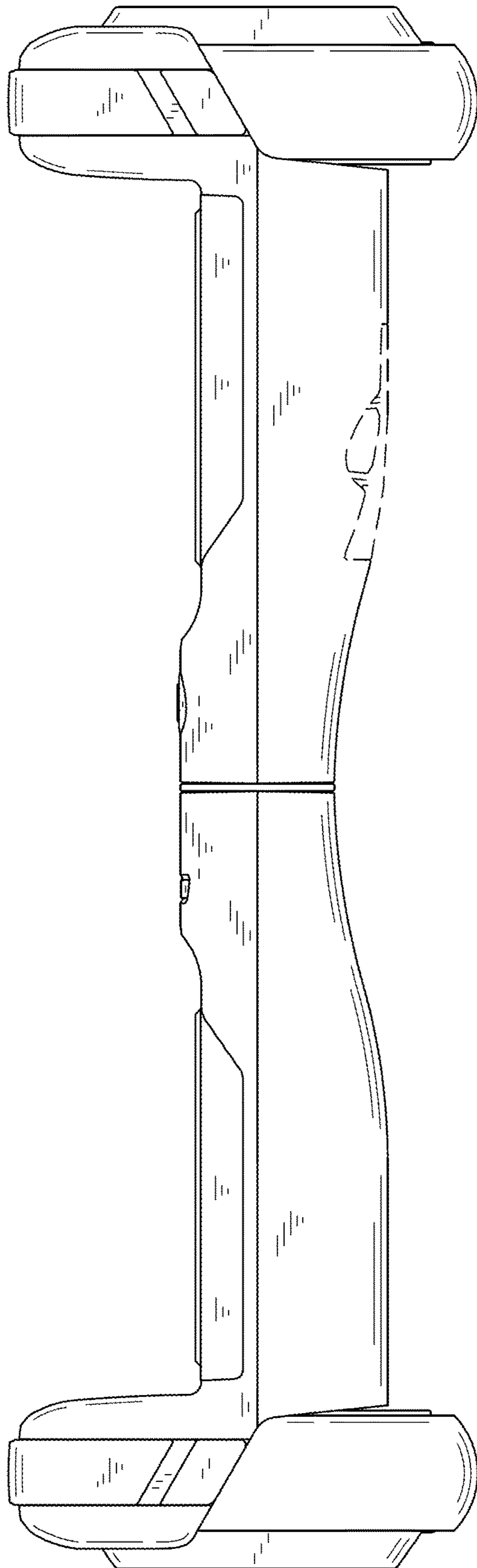


FIG. 3

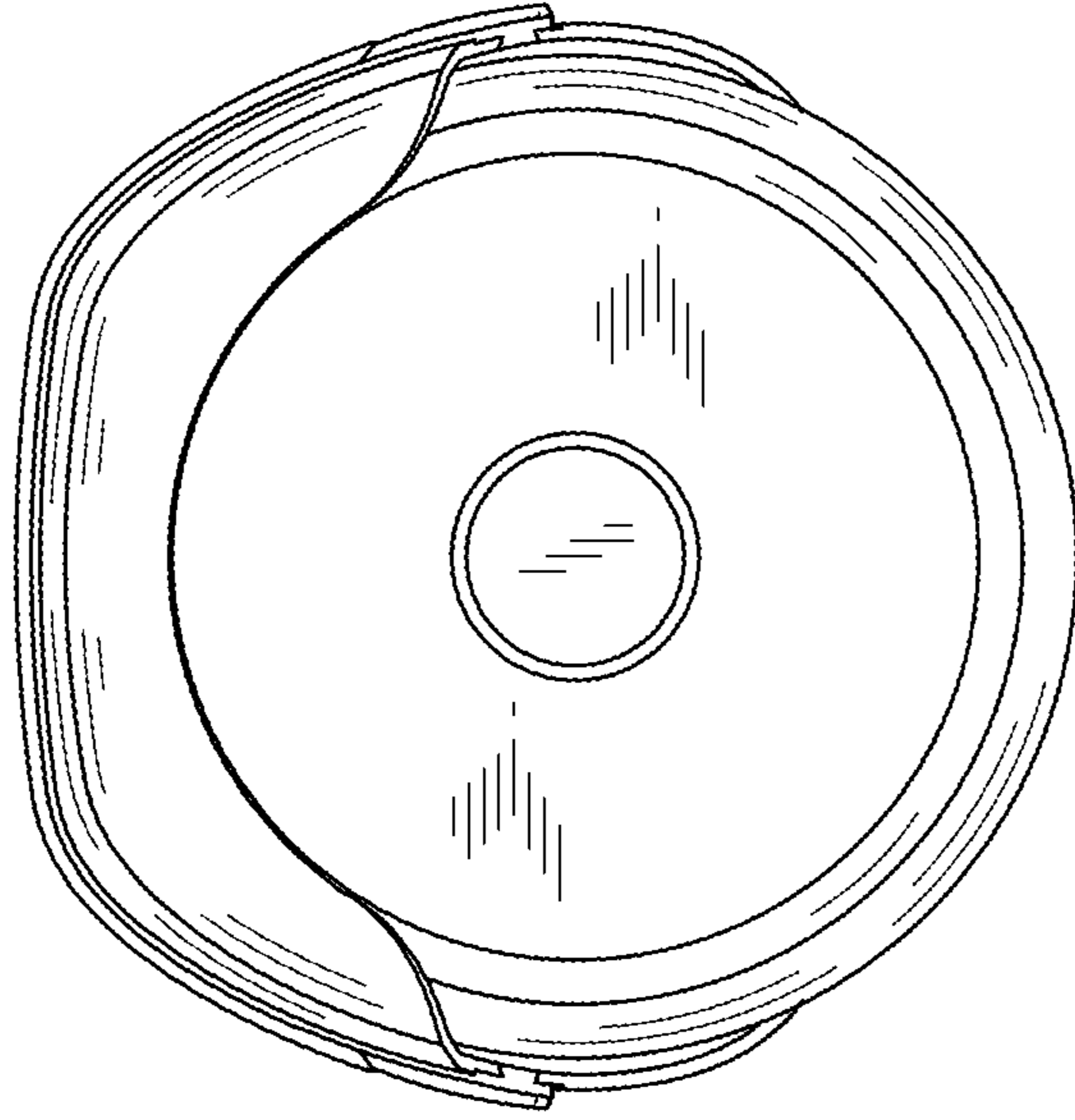


FIG. 5

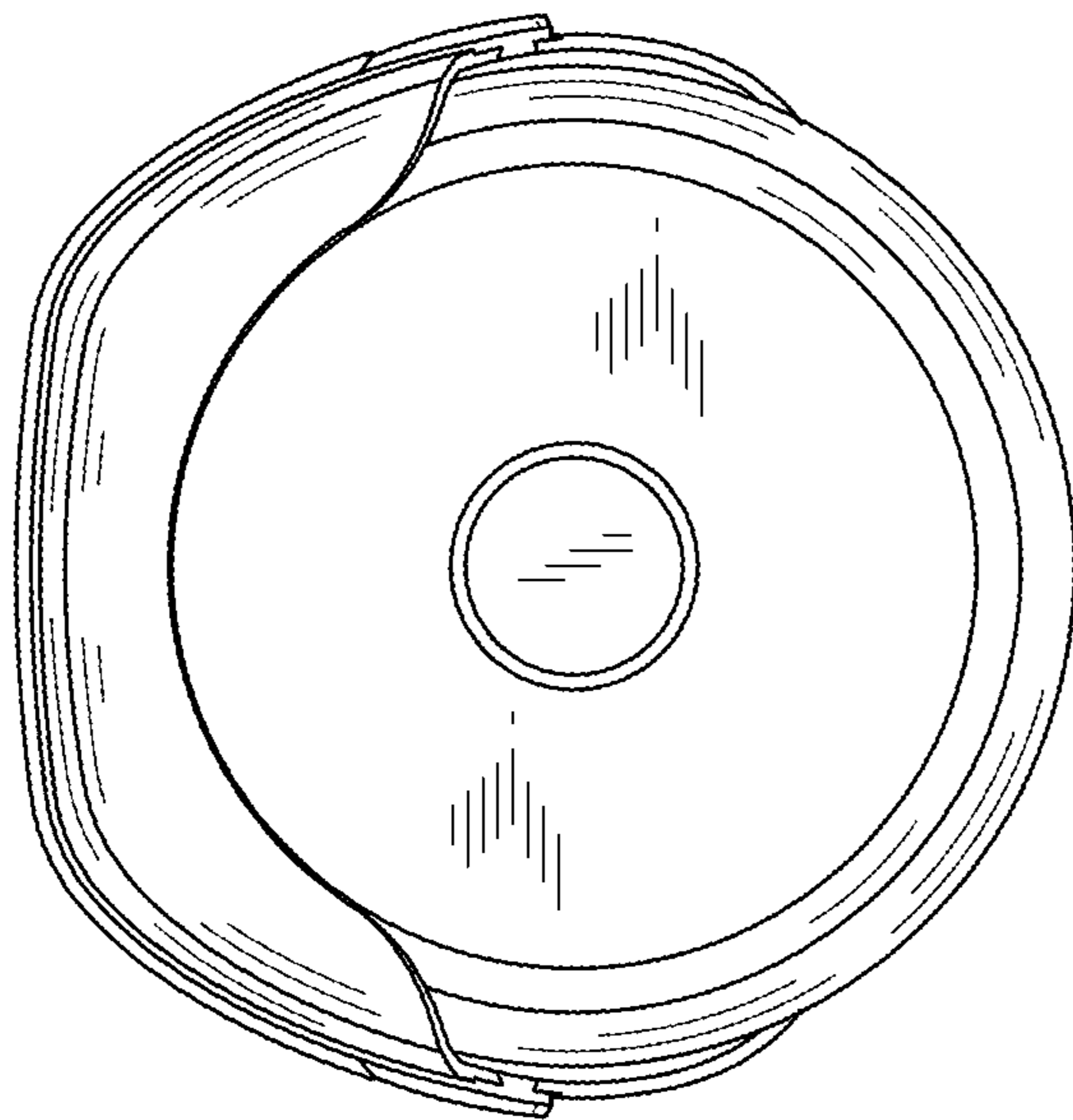


FIG. 4

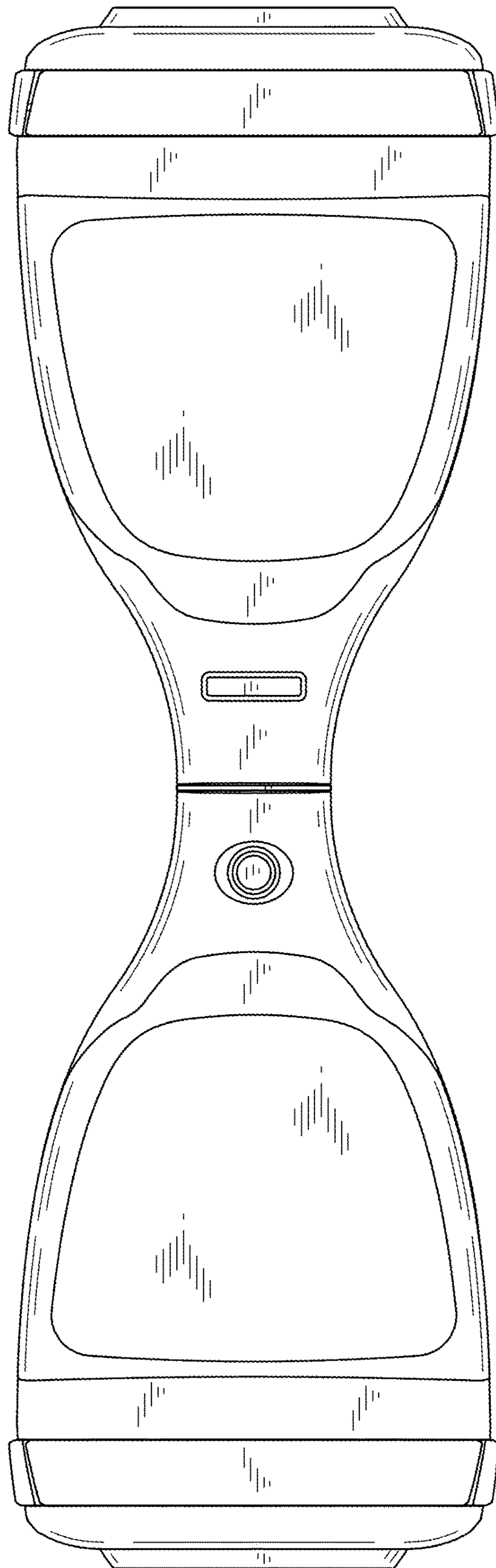


FIG. 6

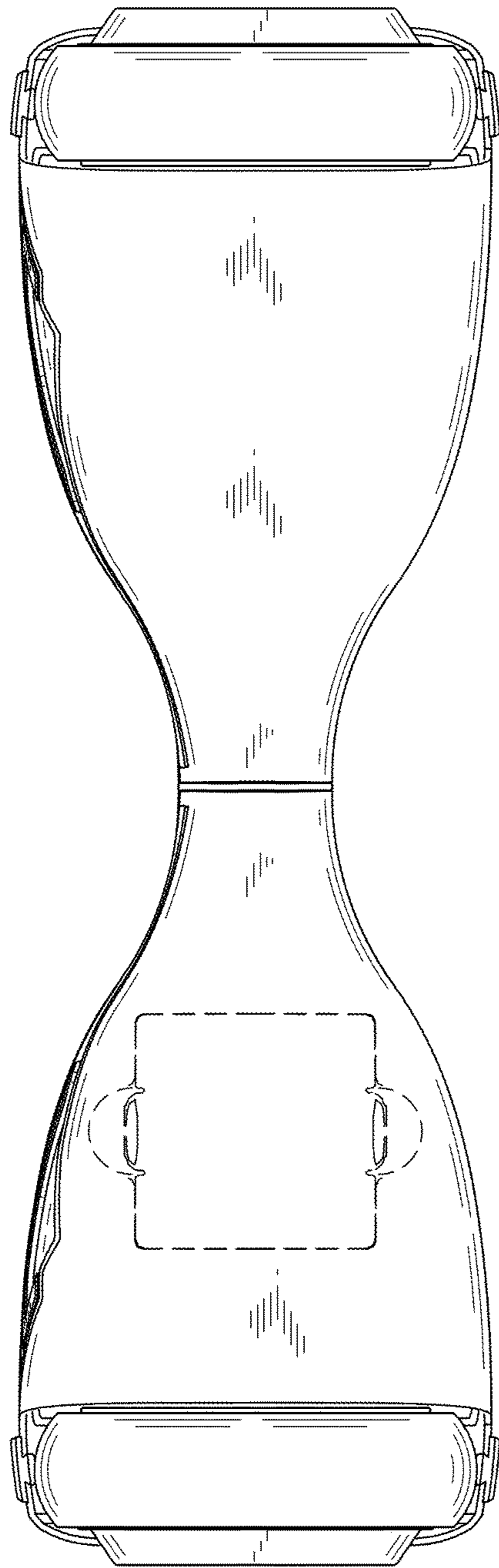


FIG. 7