



US00D786992S

(12) **United States Design Patent**  
**Tang**

(10) **Patent No.:** **US D786,992 S**

(45) **Date of Patent:** **\*\* May 16, 2017**

(54) **GOLF CLUB HEAD**

(71) Applicant: **CALLAWAY GOLF COMPANY,**  
Carlsbad, CA (US)

(72) Inventor: **Larry Tang,** Carlsbad, CA (US)

(73) Assignee: **Callaway Golf Company,** Carlsbad,  
CA (US)

(\*\*) Term: **15 Years**

(21) Appl. No.: **29/560,204**

(22) Filed: **Apr. 4, 2016**

(51) **LOC (10) Cl.** ..... **21-02**

(52) **U.S. Cl.**  
USPC ..... **D21/759**

(58) **Field of Classification Search**  
USPC ..... D21/733, 752, 759  
CPC ..... A63B 53/04; A63B 53/0466; A63B  
2053/002; A63B 2053/0445; A63B  
2053/0433; A63B 2053/0437; A63B  
53/0491

See application file for complete search history.

(56) **References Cited**

**U.S. PATENT DOCUMENTS**

D516,651 S *	3/2006	Evans	.....	D21/752
D530,761 S *	10/2006	Evans	.....	D21/752
D532,852 S *	11/2006	Tang	.....	D21/752
D534,600 S *	1/2007	Tang	.....	D21/752
D547,815 S *	7/2007	Tang	.....	D21/752
D561,284 S *	2/2008	Nagai	.....	D21/759

D592,721 S *	5/2009	Foster	.....	D21/752
D594,074 S *	6/2009	Foster	.....	D21/752
D663,371 S *	7/2012	Kim	.....	D21/752
D710,471 S *	8/2014	Kim	.....	D21/759
D710,472 S *	8/2014	Kim	.....	D21/759
D714,410 S *	9/2014	Myers	.....	D21/759
D733,239 S *	6/2015	Myers	.....	D21/759
D763,995 S *	8/2016	Kim	.....	D21/759
D763,996 S *	8/2016	Kim	.....	D21/759

\* cited by examiner

*Primary Examiner* — Mitchell Siegel

(74) *Attorney, Agent, or Firm* — Rebecca Hanovice;  
Michael Catania; Sonia Lari

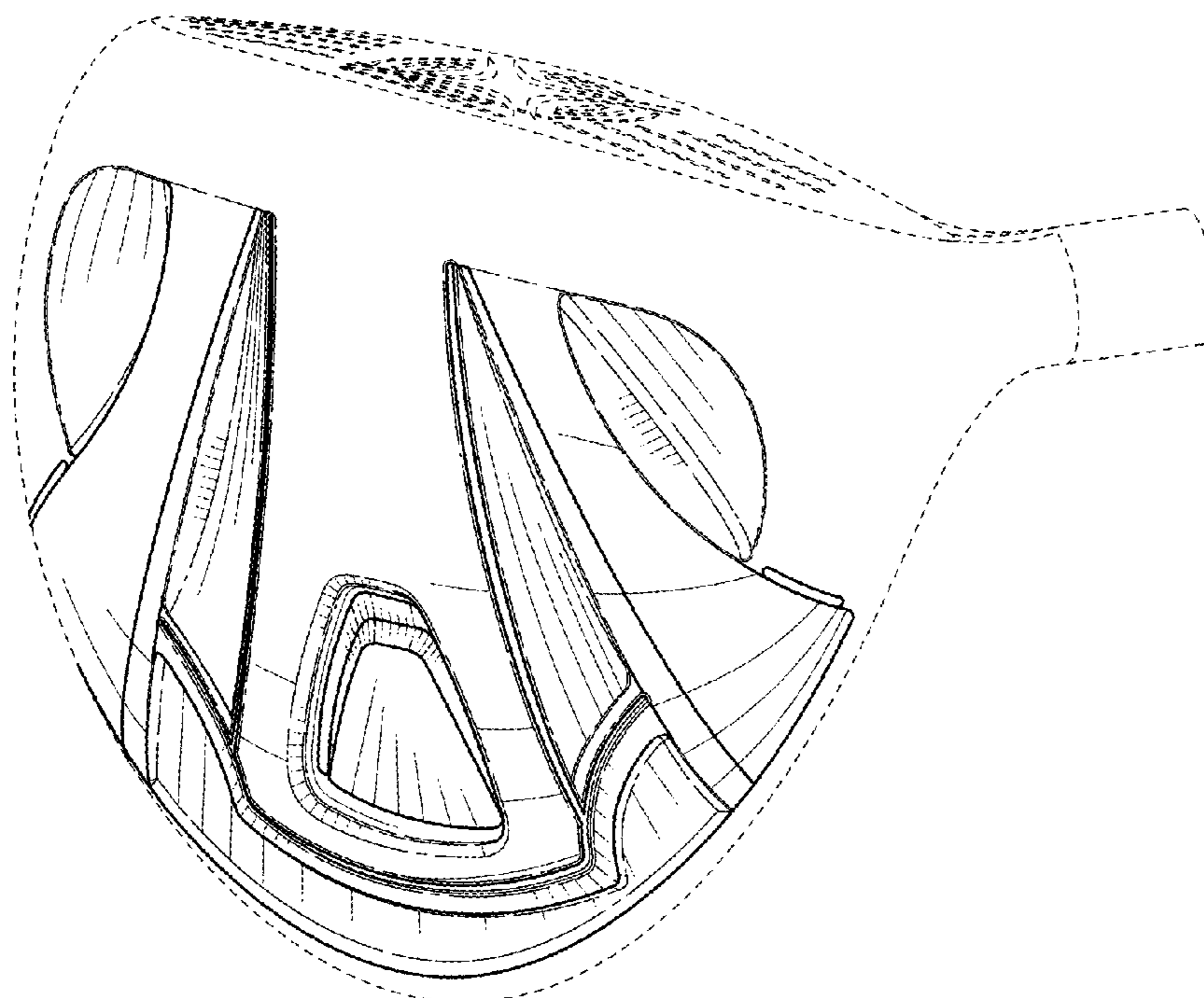
(57) **CLAIM**

The ornamental design for a golf club head, as shown and described.

**DESCRIPTION**

FIG. 1 is a top perspective view of a golf club head as claimed herein;  
FIG. 2 is a front elevational view thereof;  
FIG. 3 is a rear elevational view thereof;  
FIG. 4 is a left side elevational view thereof;  
FIG. 5 is a right side elevational view thereof;  
FIG. 6 is a top plan view thereof;  
FIG. 7 is a bottom plan view thereof; and,  
FIG. 8 is a bottom perspective view thereof.  
The broken lines are included for the purpose of illustration only and form no part of the claimed design.

**1 Claim, 4 Drawing Sheets**



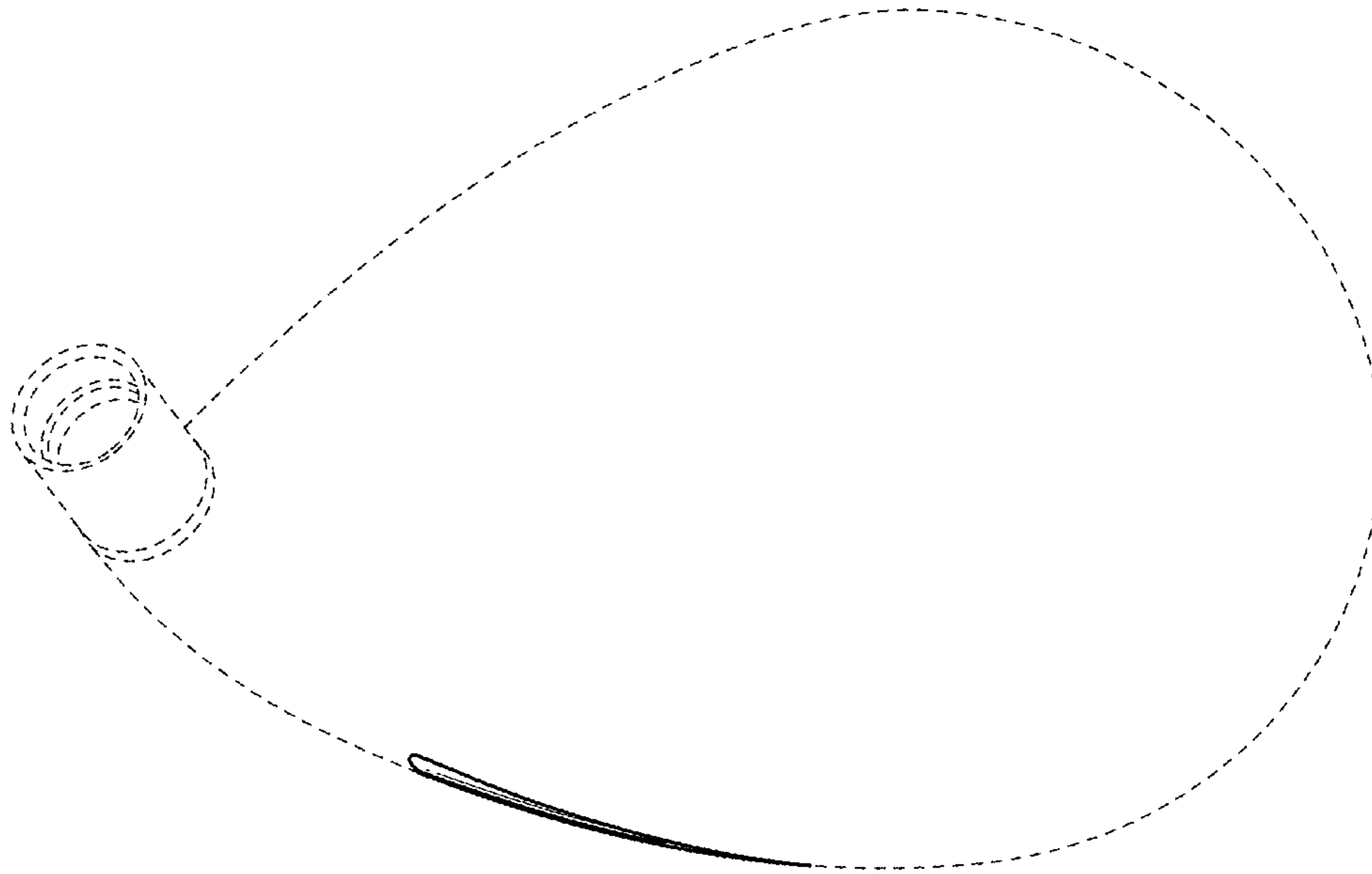


FIG. 1

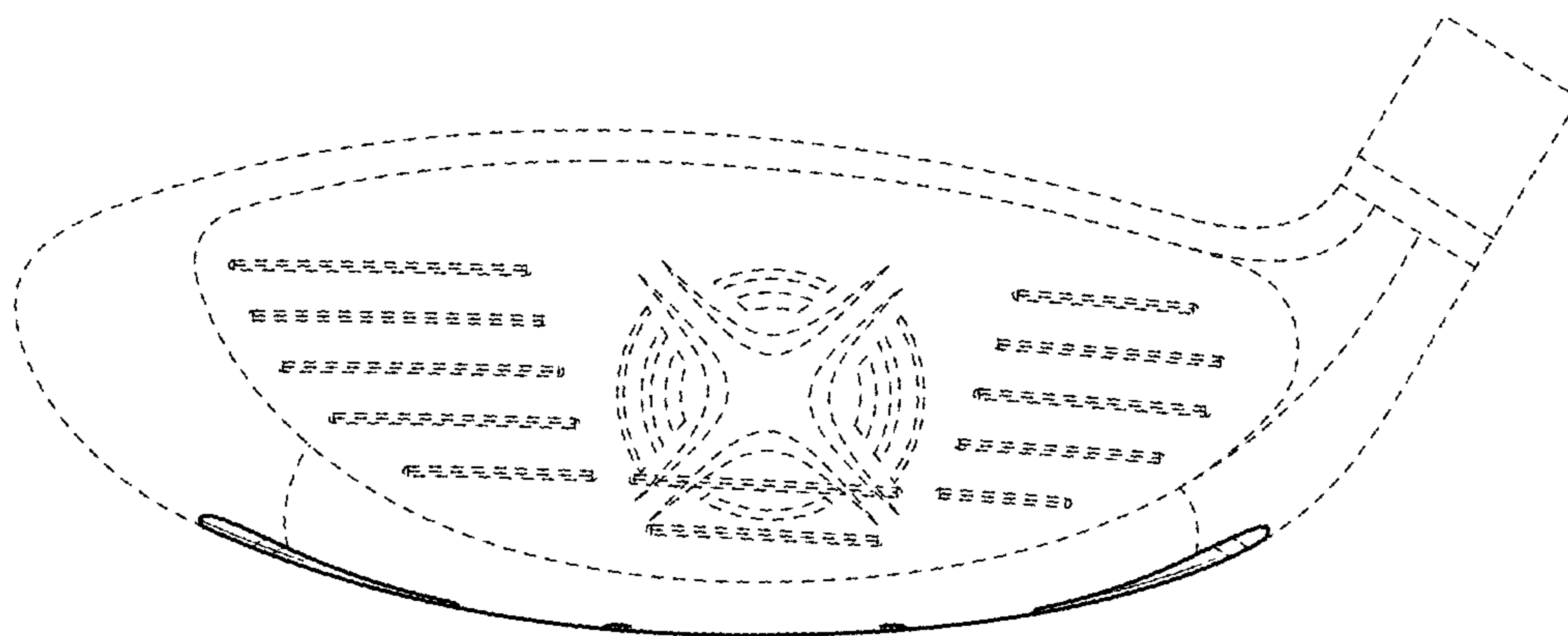


FIG. 2

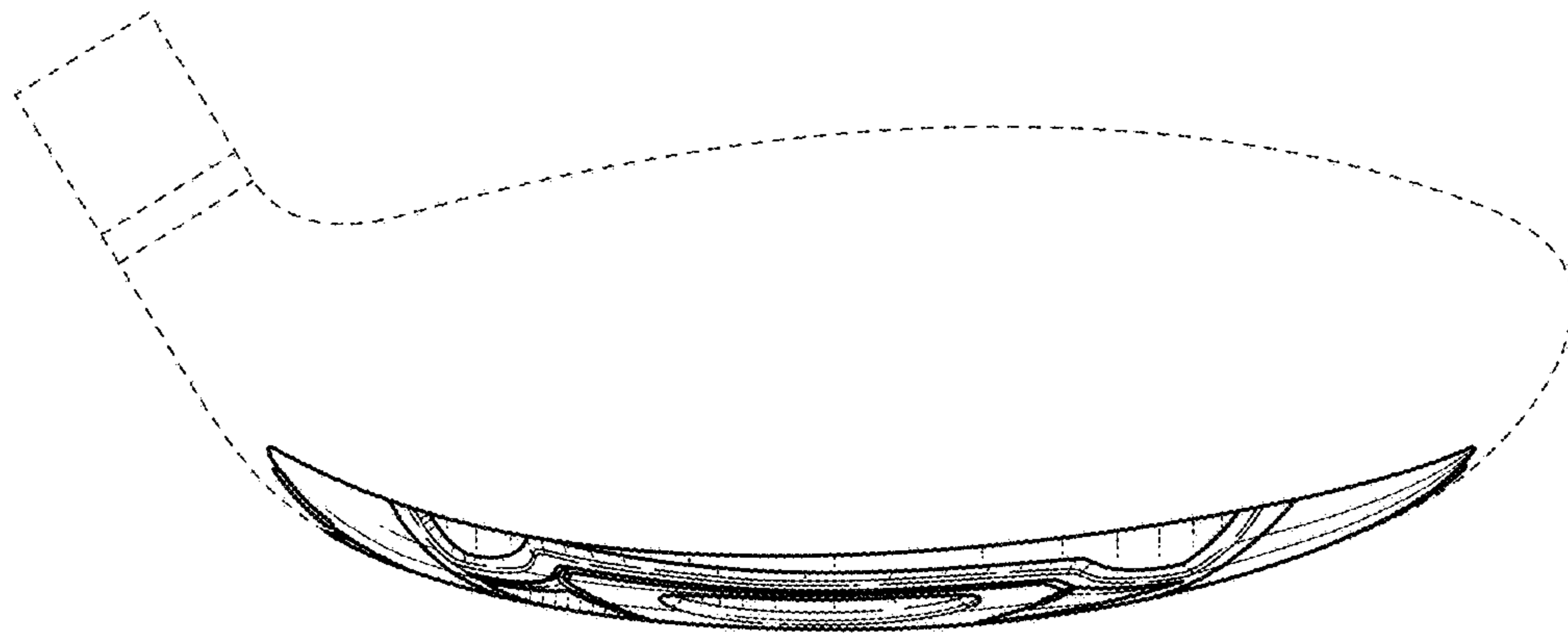


FIG. 3

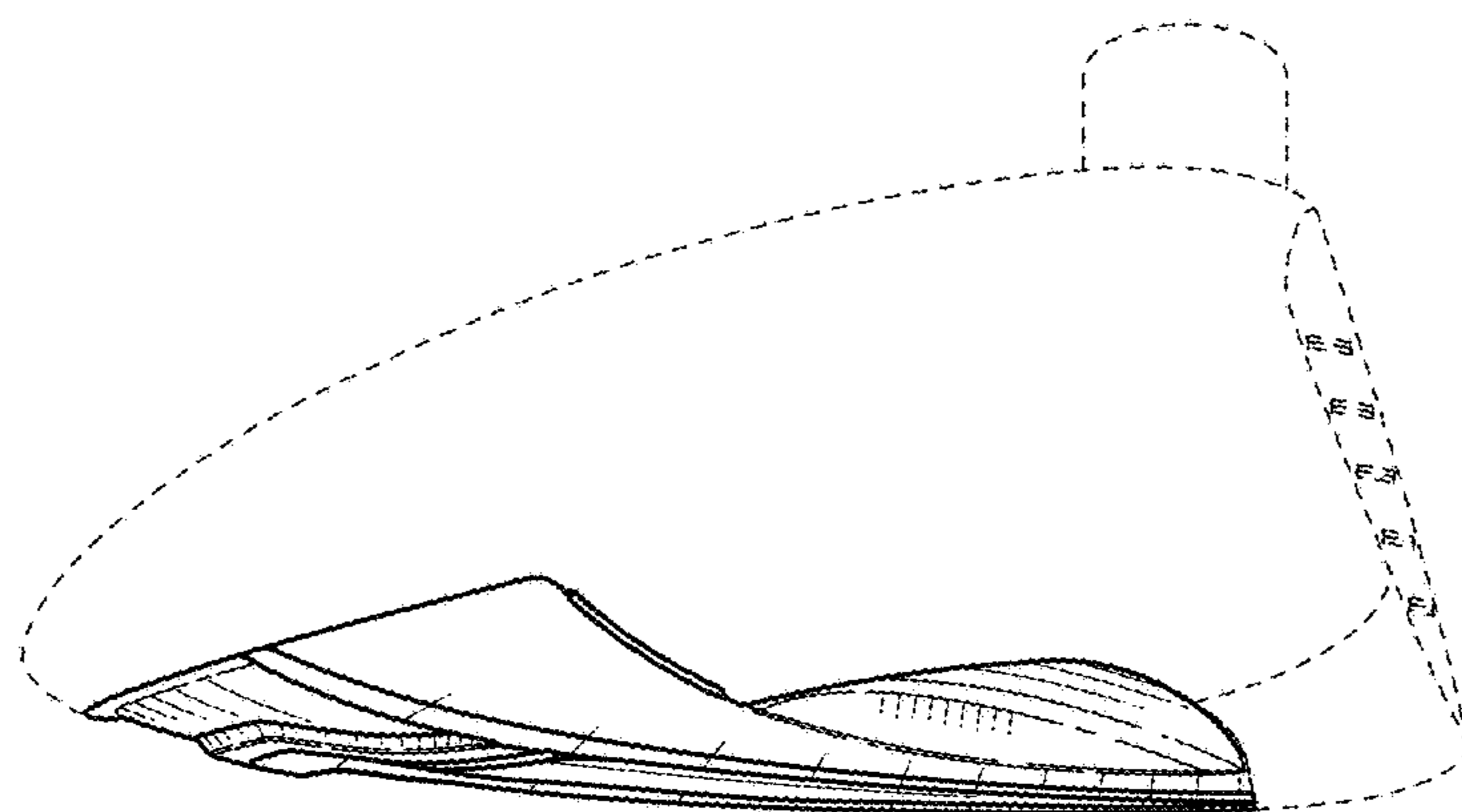


FIG. 4

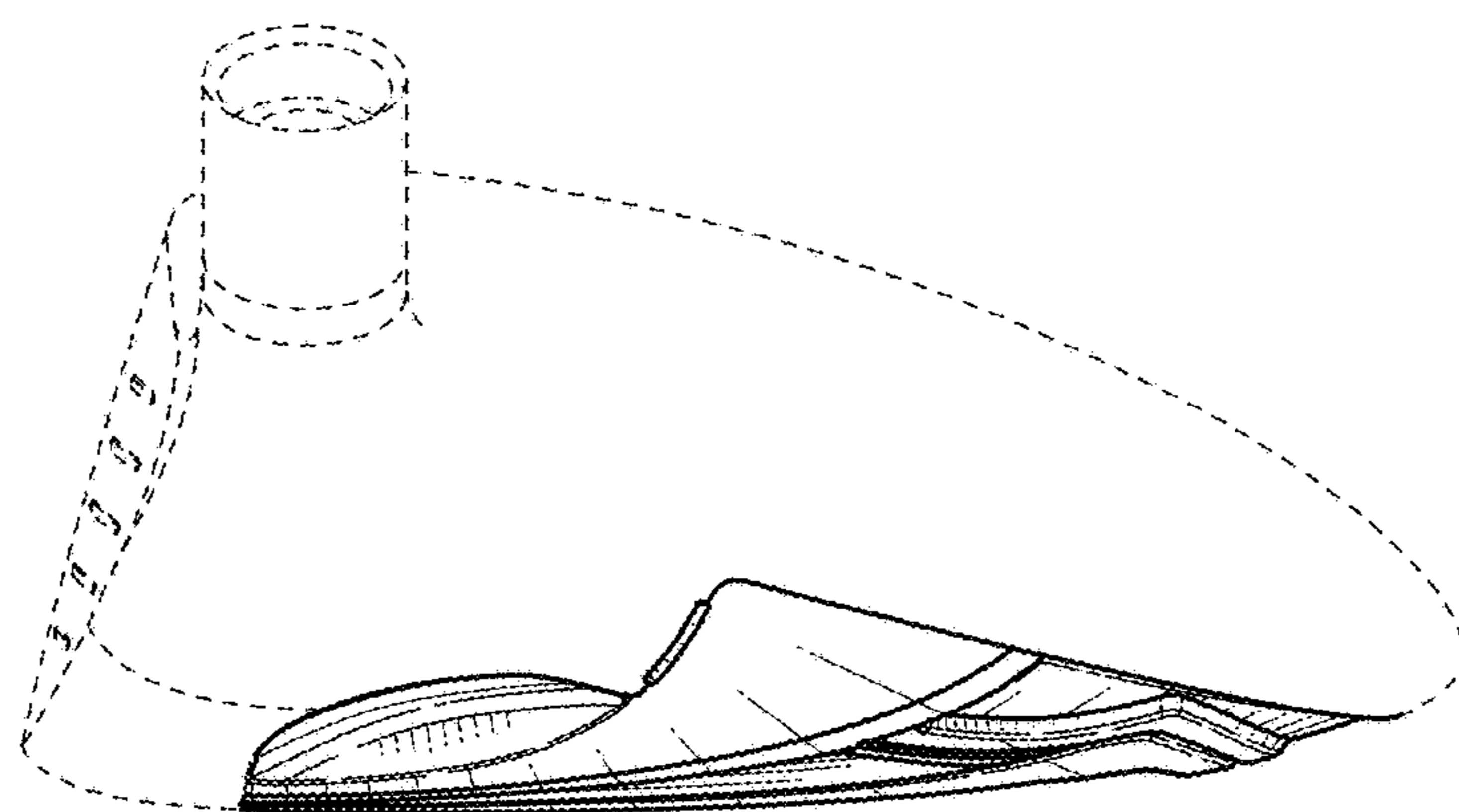


FIG. 5

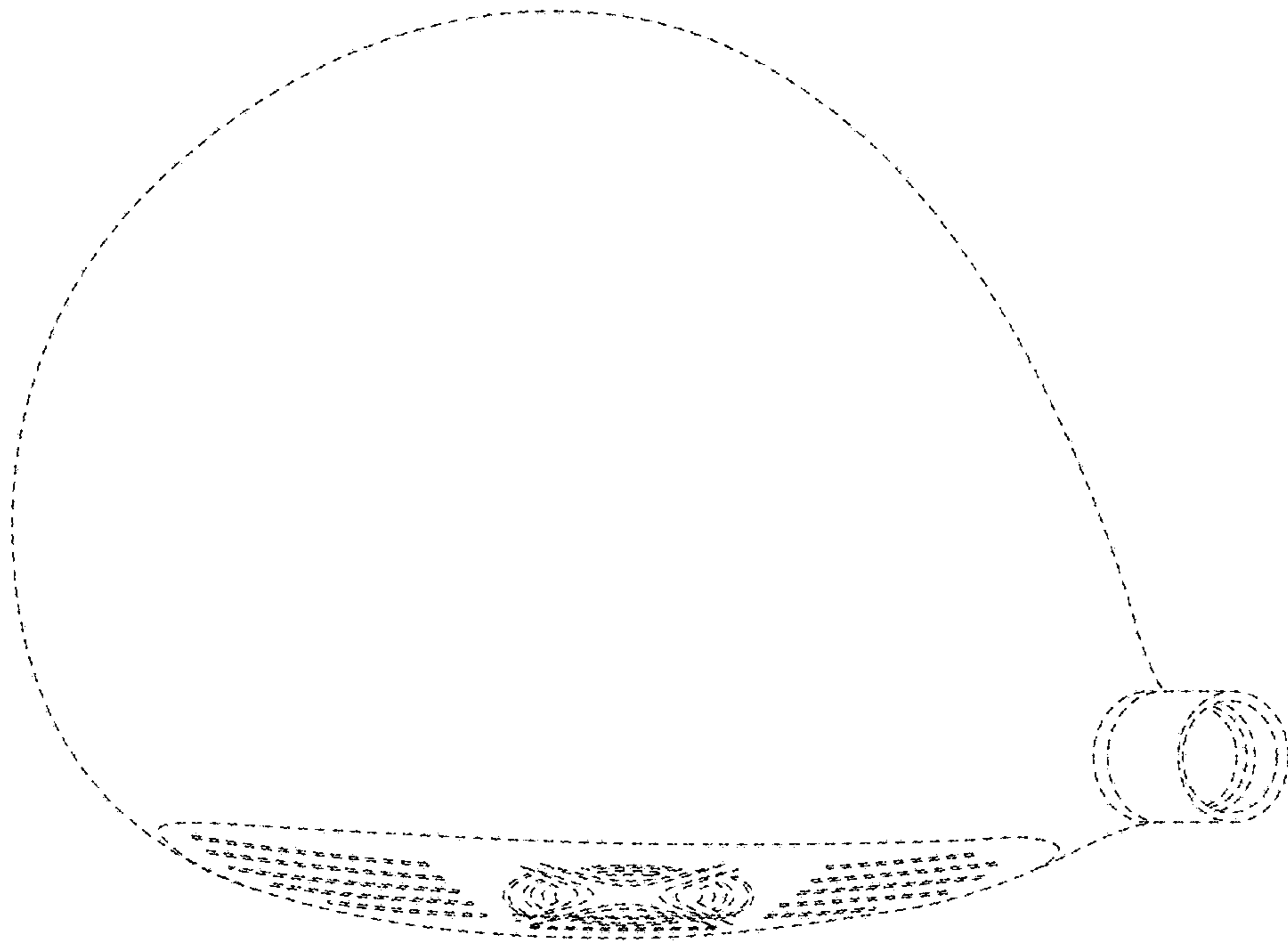


FIG. 6

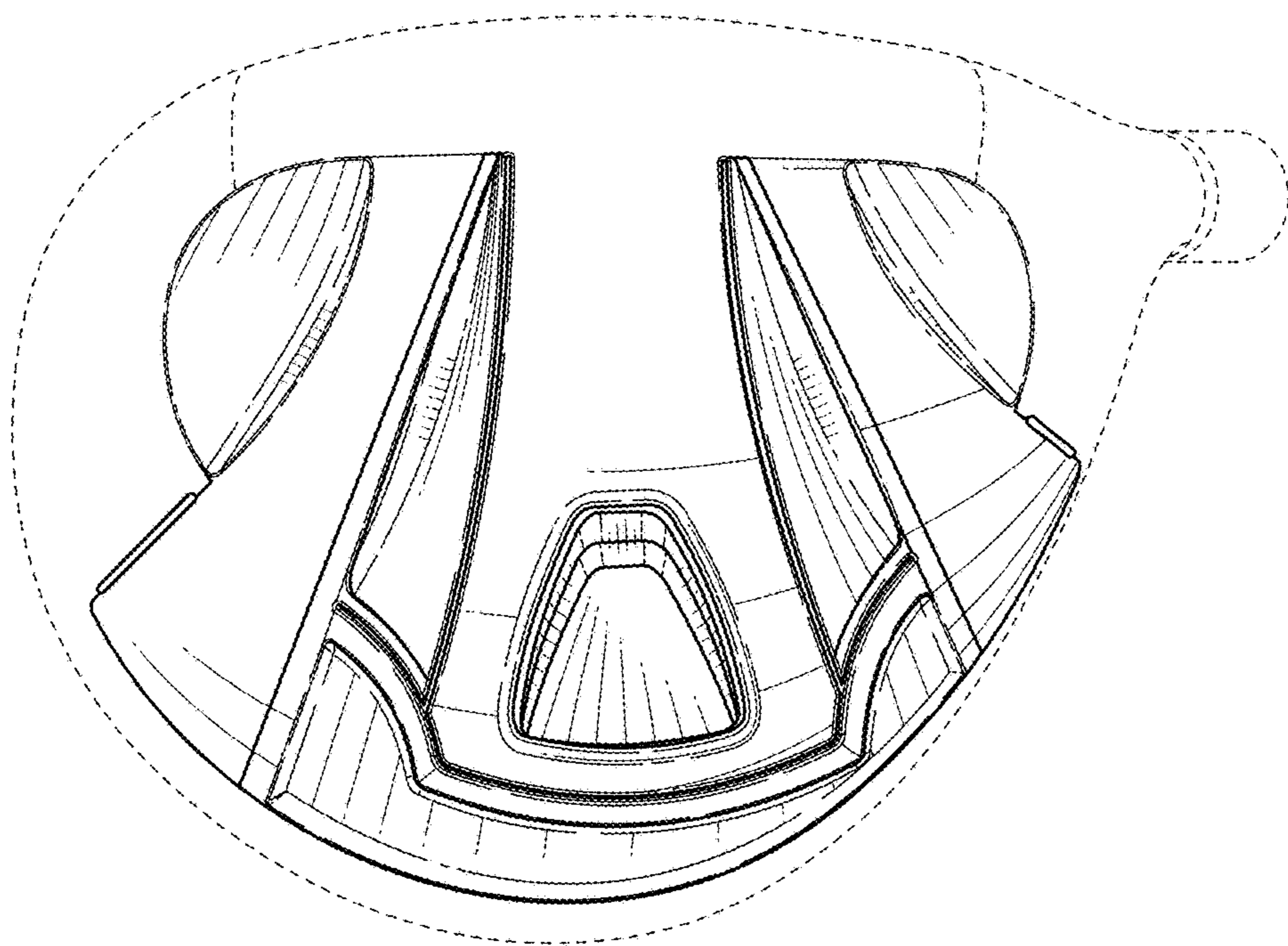


FIG. 7

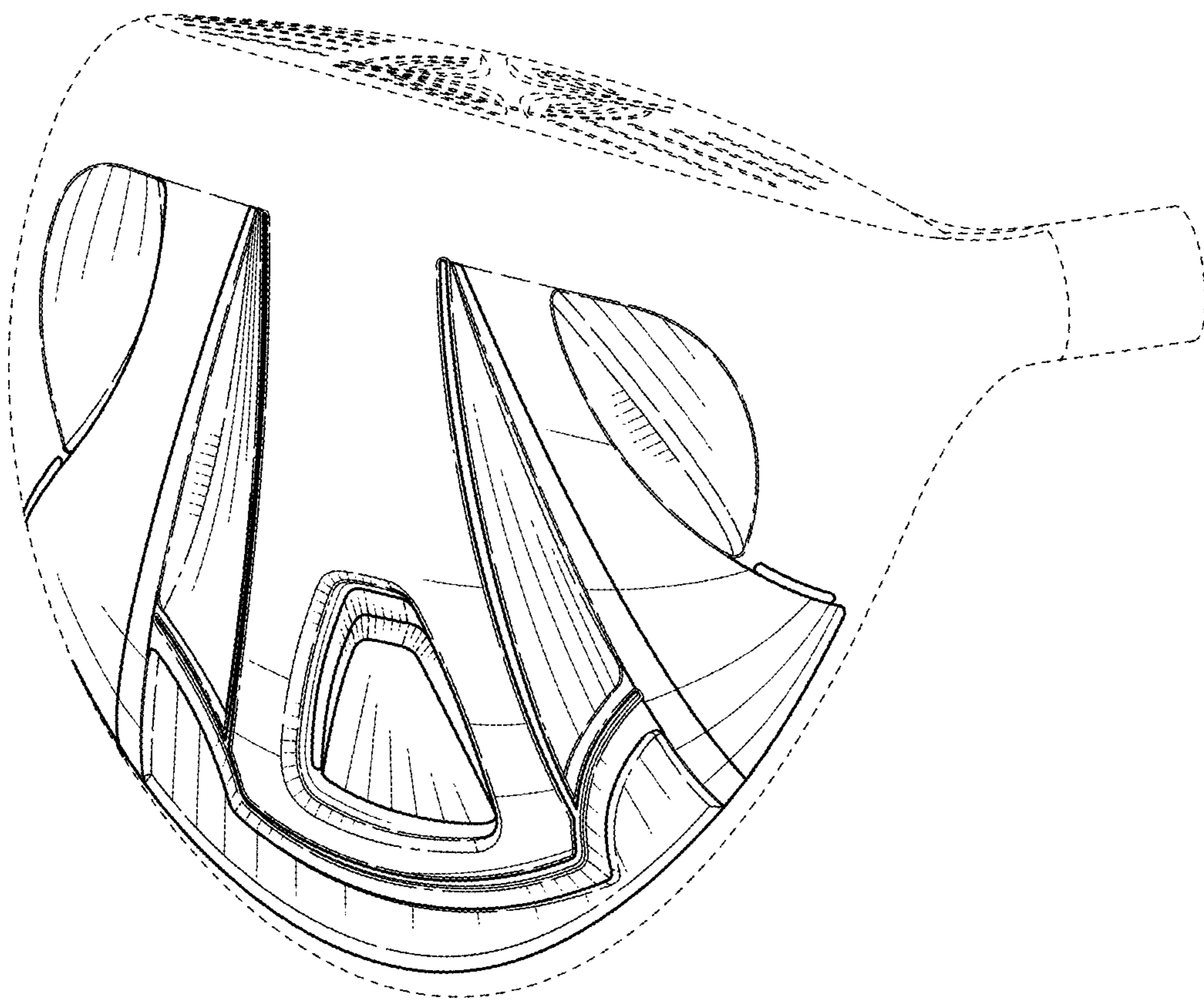


FIG. 8