



US00D786988S

(12) **United States Design Patent** (10) **Patent No.:** **US D786,988 S**  
**McGaffic et al.** (45) **Date of Patent:** **\*\* May 16, 2017**

(54) **INTERLOCKABLE TOY CHARACTER**

(71) Applicants: **Donna McGaffic**, North Miami, FL  
(US); **Ian McGaffic**, North Miami, FL  
(US)

(72) Inventors: **Donna McGaffic**, North Miami, FL  
(US); **Ian McGaffic**, North Miami, FL  
(US)

(\*\*) Term: **15 Years**

(21) Appl. No.: **29/535,033**

(22) Filed: **Aug. 3, 2015**

(51) **LOC (10) Cl.** ..... **21-03**

(52) **U.S. Cl.**  
USPC ..... **D21/630**

(58) **Field of Classification Search**  
USPC ..... D21/621, 623, 624, 625, 627, 628, 630,  
D21/631, 633; 446/268, 360, 361, 376,  
446/379, 382-384; D6/595-601  
CPC ... A63H 3/02; A63H 3/04; A63H 3/06; A63H  
3/08; A63H 3/10  
See application file for complete search history.

(56) **References Cited**

**U.S. PATENT DOCUMENTS**

3,392,480	A	7/1968	Stubbmann	
3,740,895	A	6/1973	Nagasaka	
6,477,754	B1	11/2002	Alexander	
D561,848	S *	2/2008	Robinson	D21/578
D621,887	S *	8/2010	Rappaport-Rowan	D19/59
8,007,338	B2	8/2011	Stevkovski	
D657,366	S *	4/2012	Leung	D14/480.2
D689,567	S *	9/2013	Pilgaard	D21/621

D693,890	S *	11/2013	Halkas	D21/630
D738,966	S *	9/2015	Chen	D21/621
D771,758	S *	11/2016	Arzoomanian	D21/630
2002/0081940	A1	6/2002	Schiavo	
2005/0009441	A1	1/2005	Thomas	
2013/0273805	A1	10/2013	Leonhardt	

**FOREIGN PATENT DOCUMENTS**

ES 1 021 294 U 11/1992

\* cited by examiner

*Primary Examiner* — Zenia Bennett

(74) *Attorney, Agent, or Firm* — Lewis Roca Rothgerber  
Christie LLP

(57) **CLAIM**

The ornamental design for interlockable toy character, as shown and described.

**DESCRIPTION**

FIG. 1 is a front perspective view of the interlockable toy character;  
FIG. 2 is a rear perspective view thereof;  
FIG. 3 is a front view thereof;  
FIG. 4 is a left side view thereof;  
FIG. 5 is a rear view thereof;  
FIG. 6 is a right side view thereof;  
FIG. 7 is a top view thereof;  
FIG. 8 is a bottom view thereof; and,  
FIG. 9 shows the interlockable toy character interlocked with another interlockable toy character shown in broken lines.  
The portions of the interlockable toy character shown in broken lines do not form part of the claimed invention.

**1 Claim, 9 Drawing Sheets**

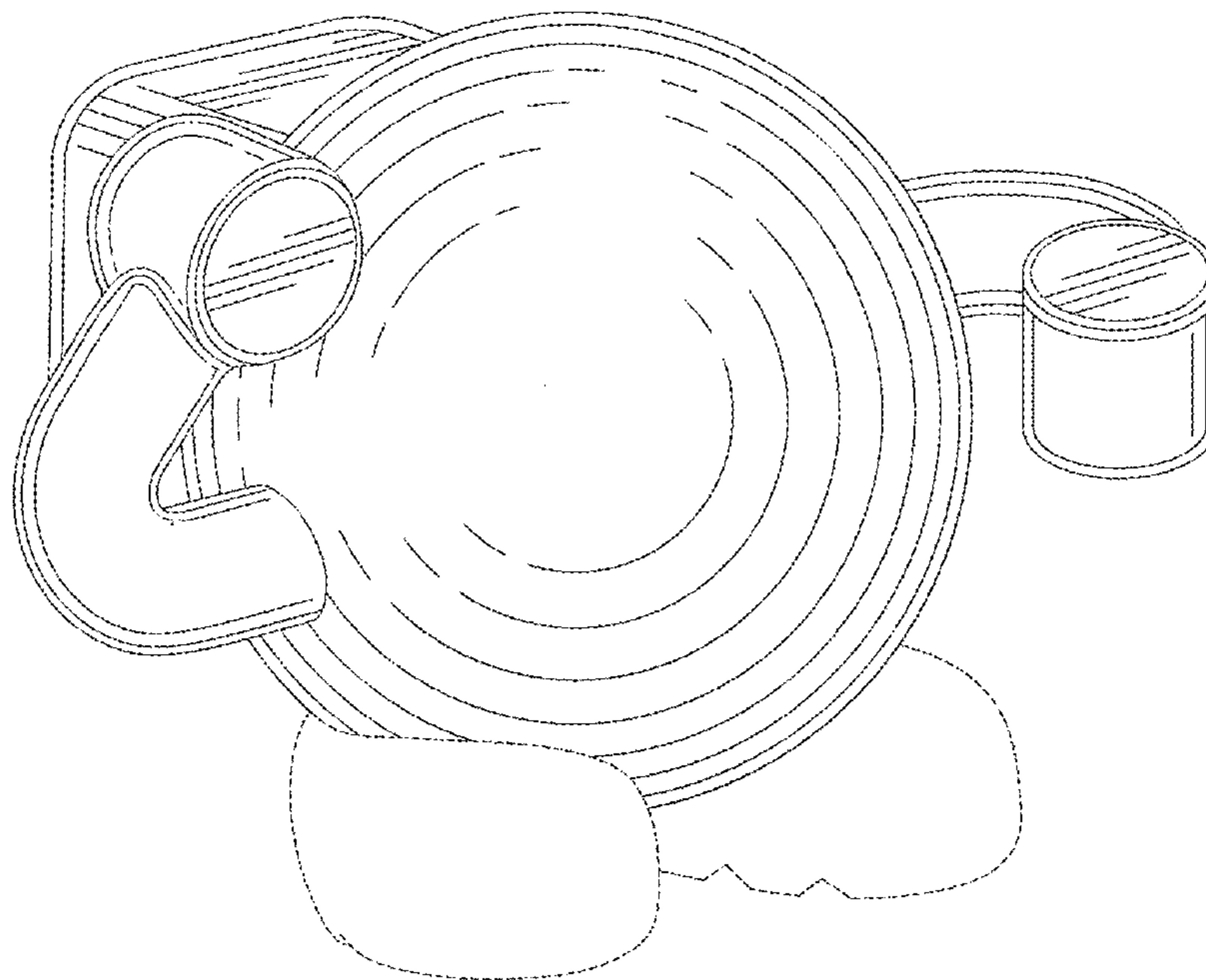
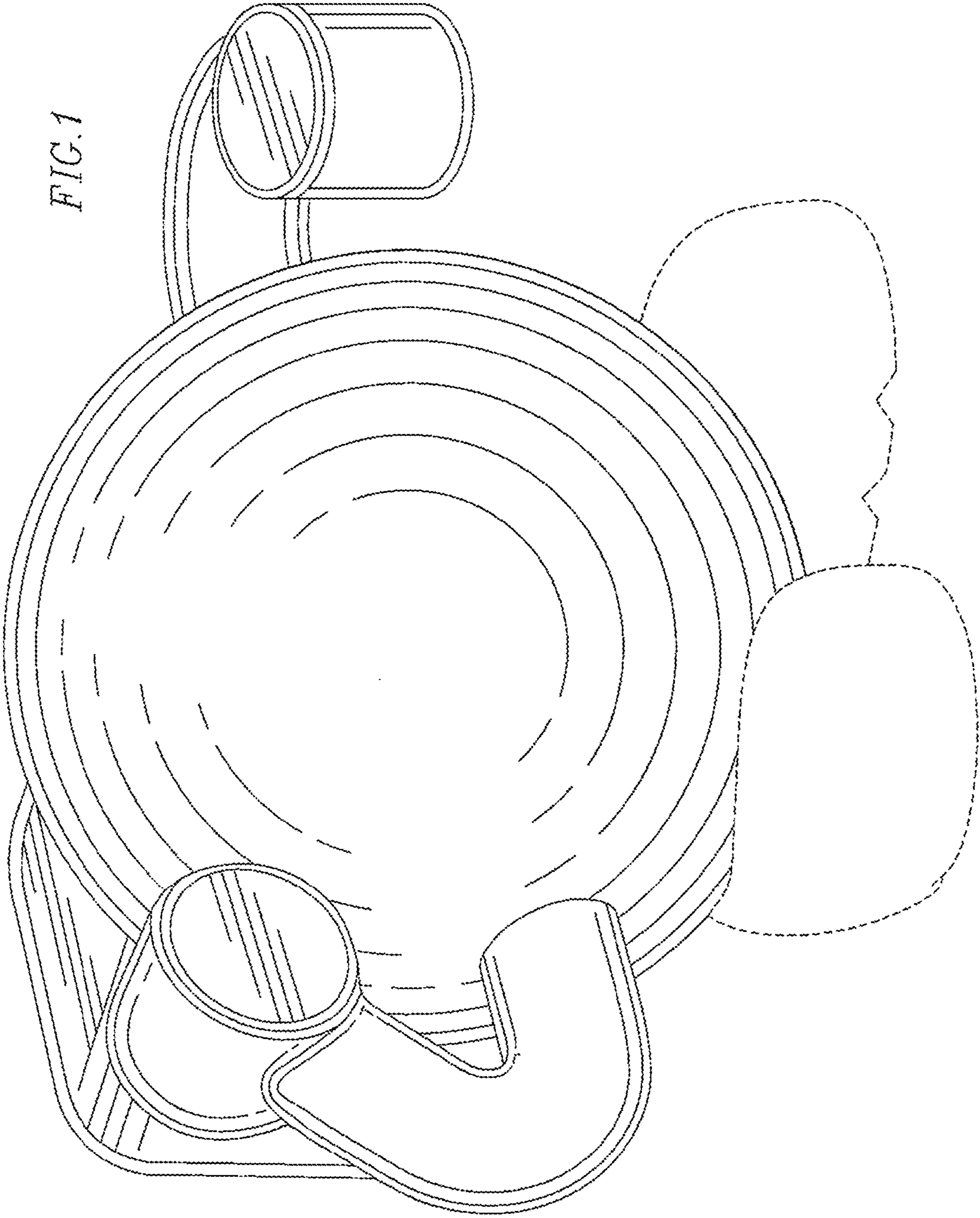


FIG. 1



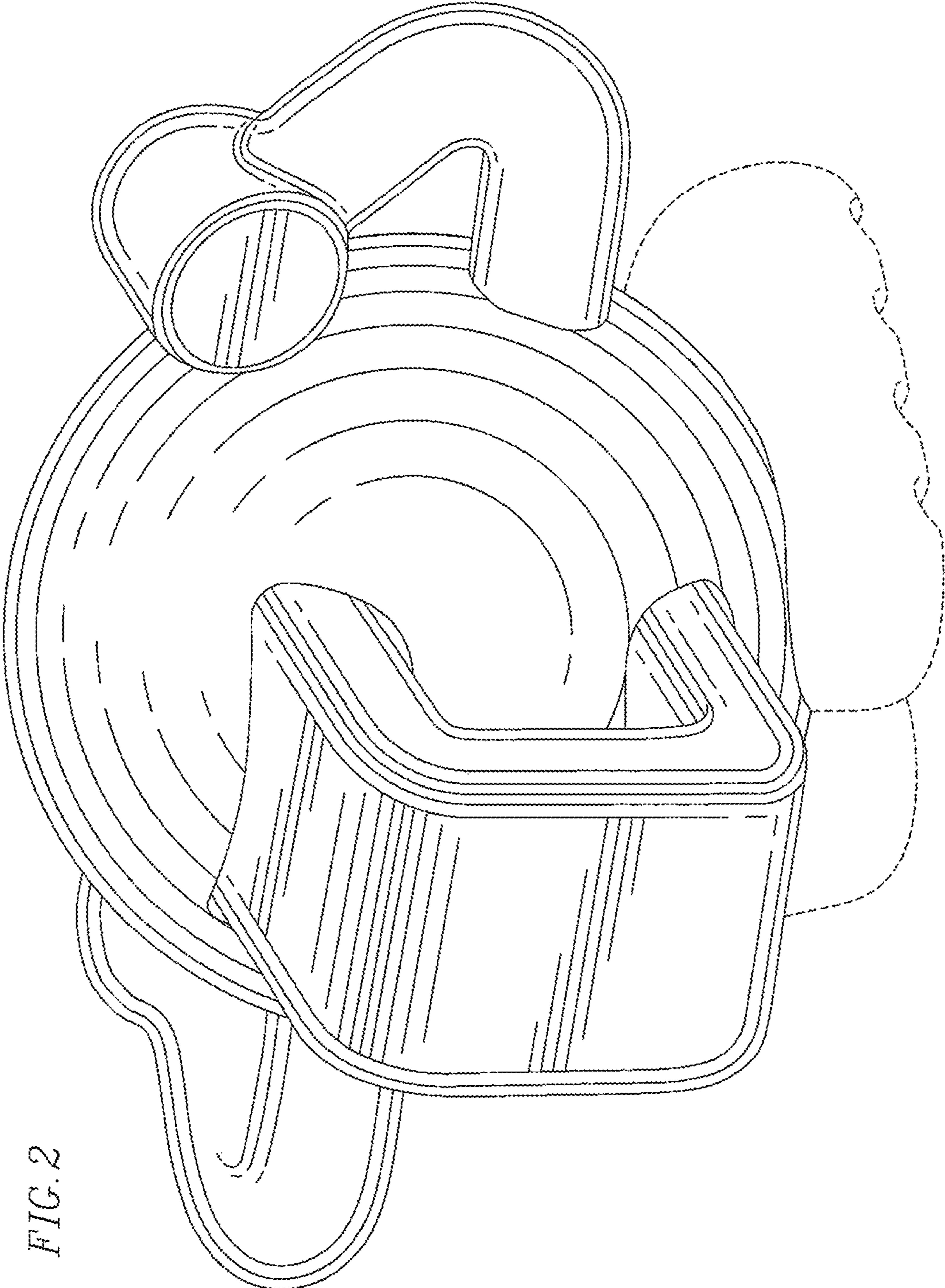
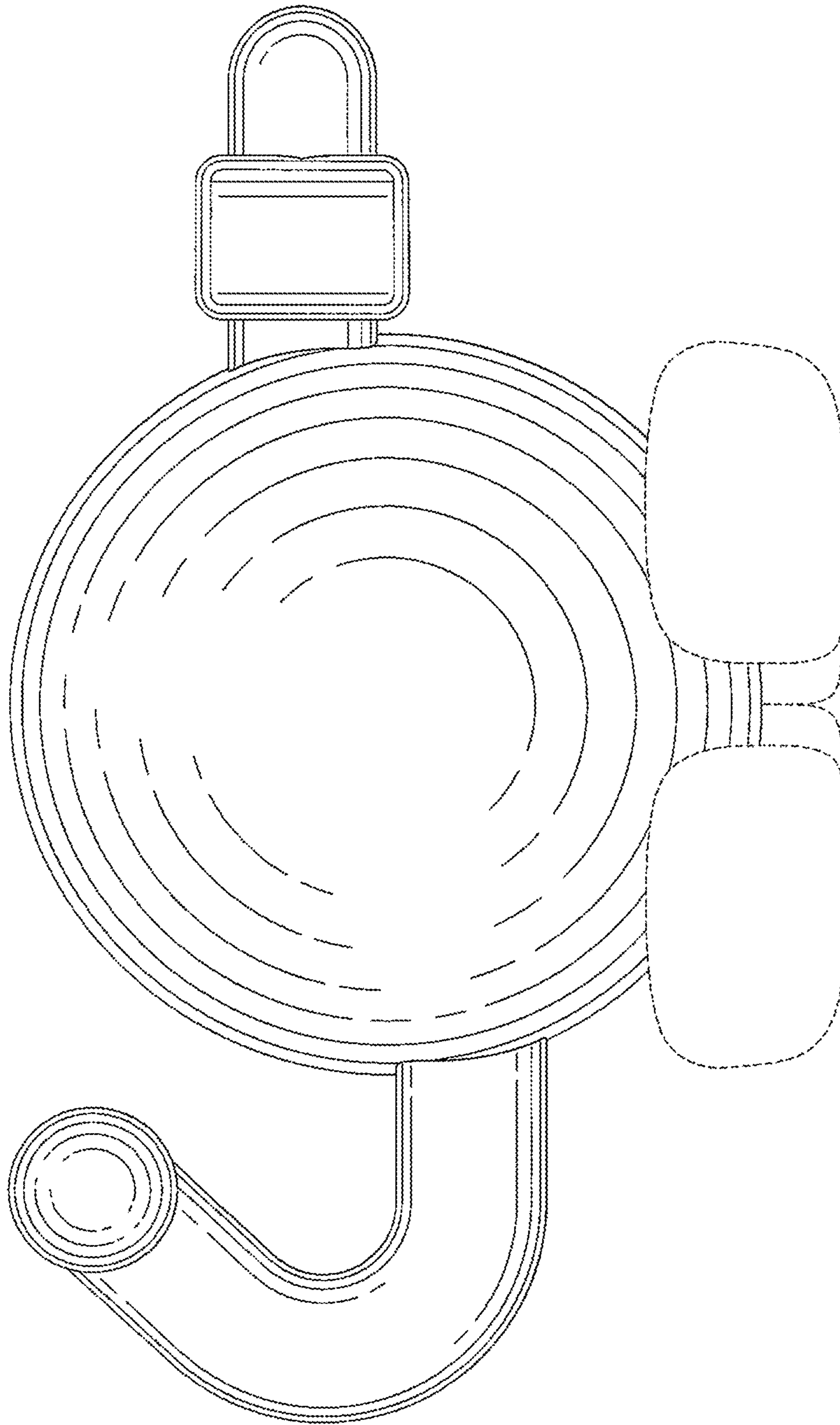


FIG. 2

FIG. 3



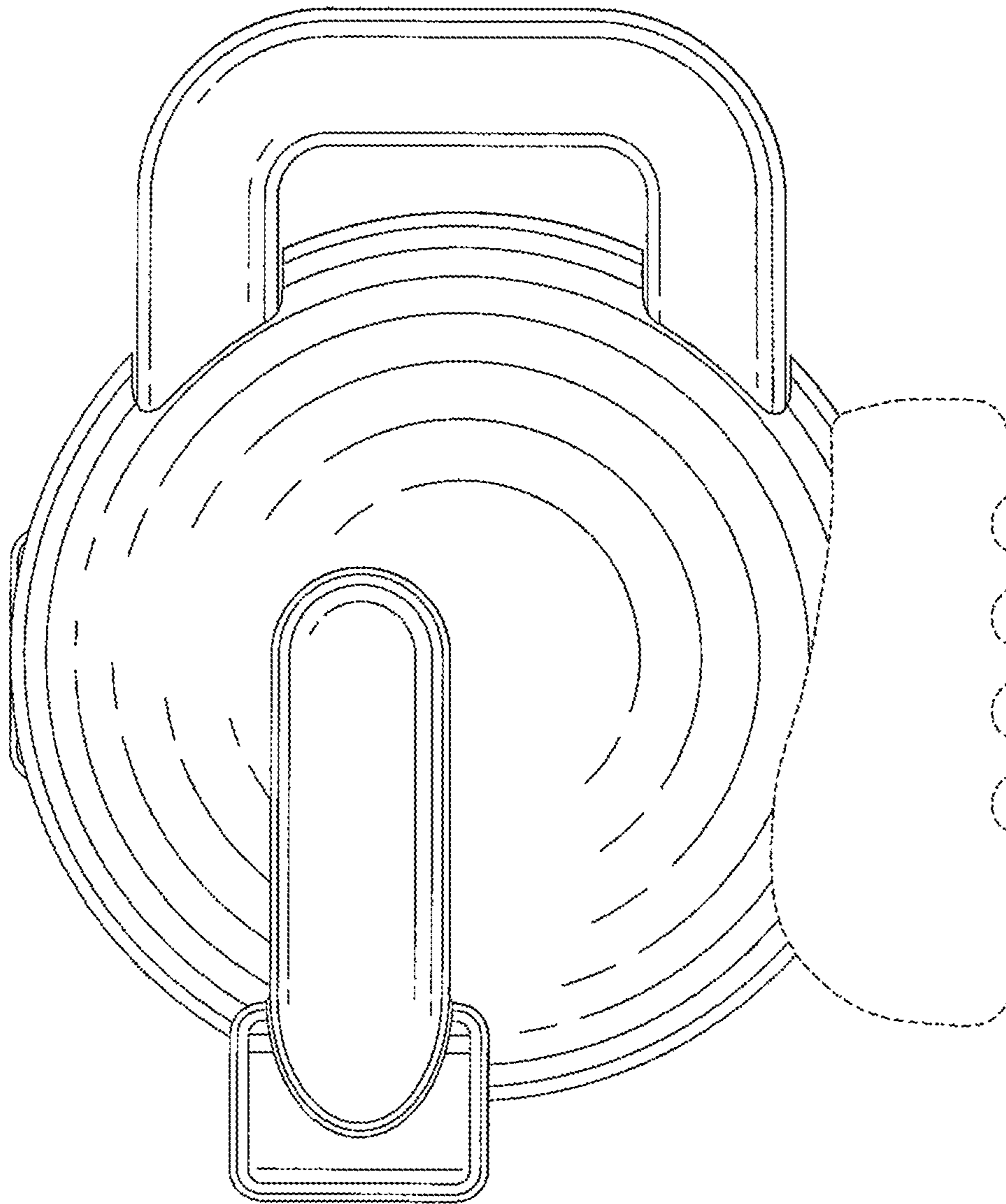


FIG. 4

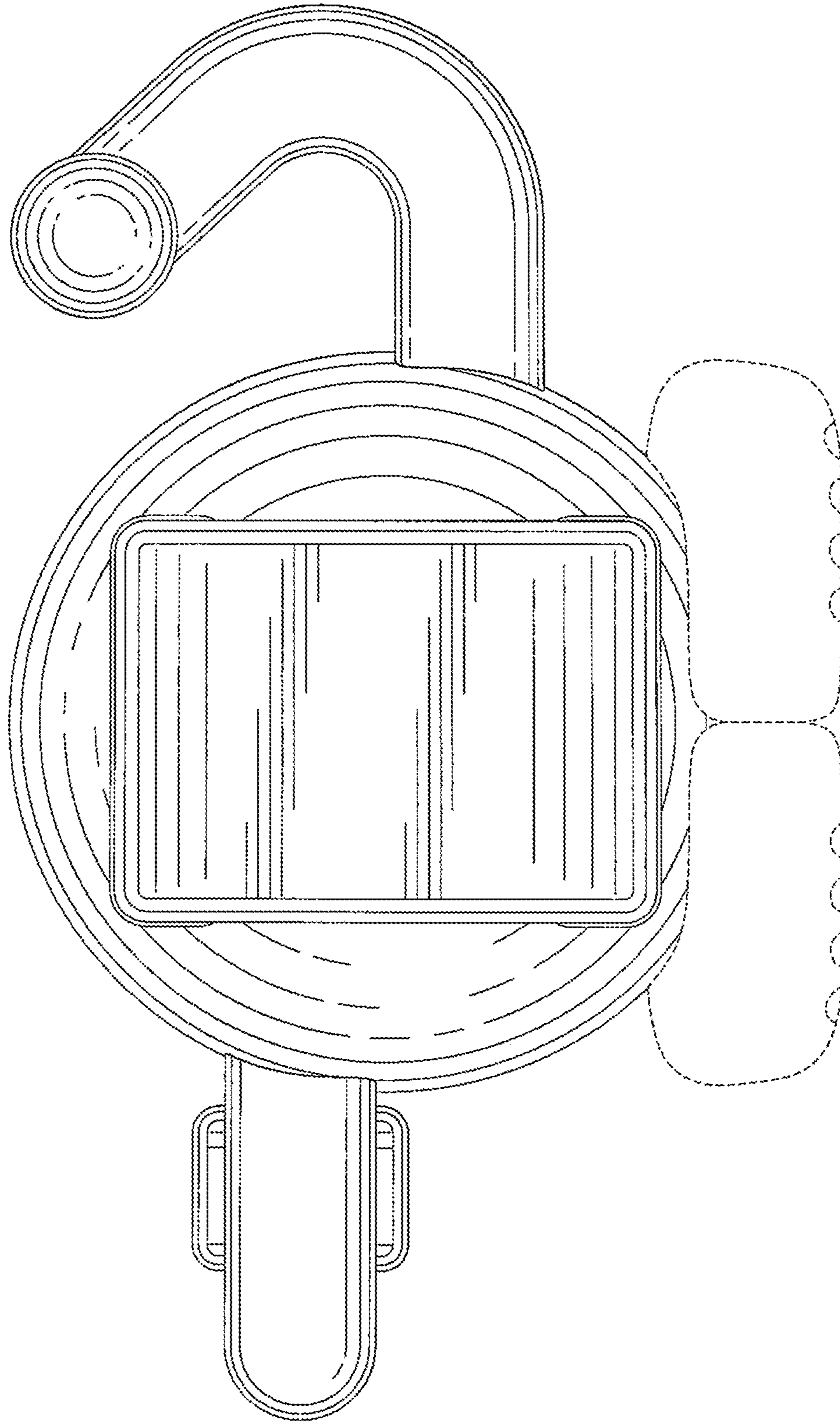


FIG. 5

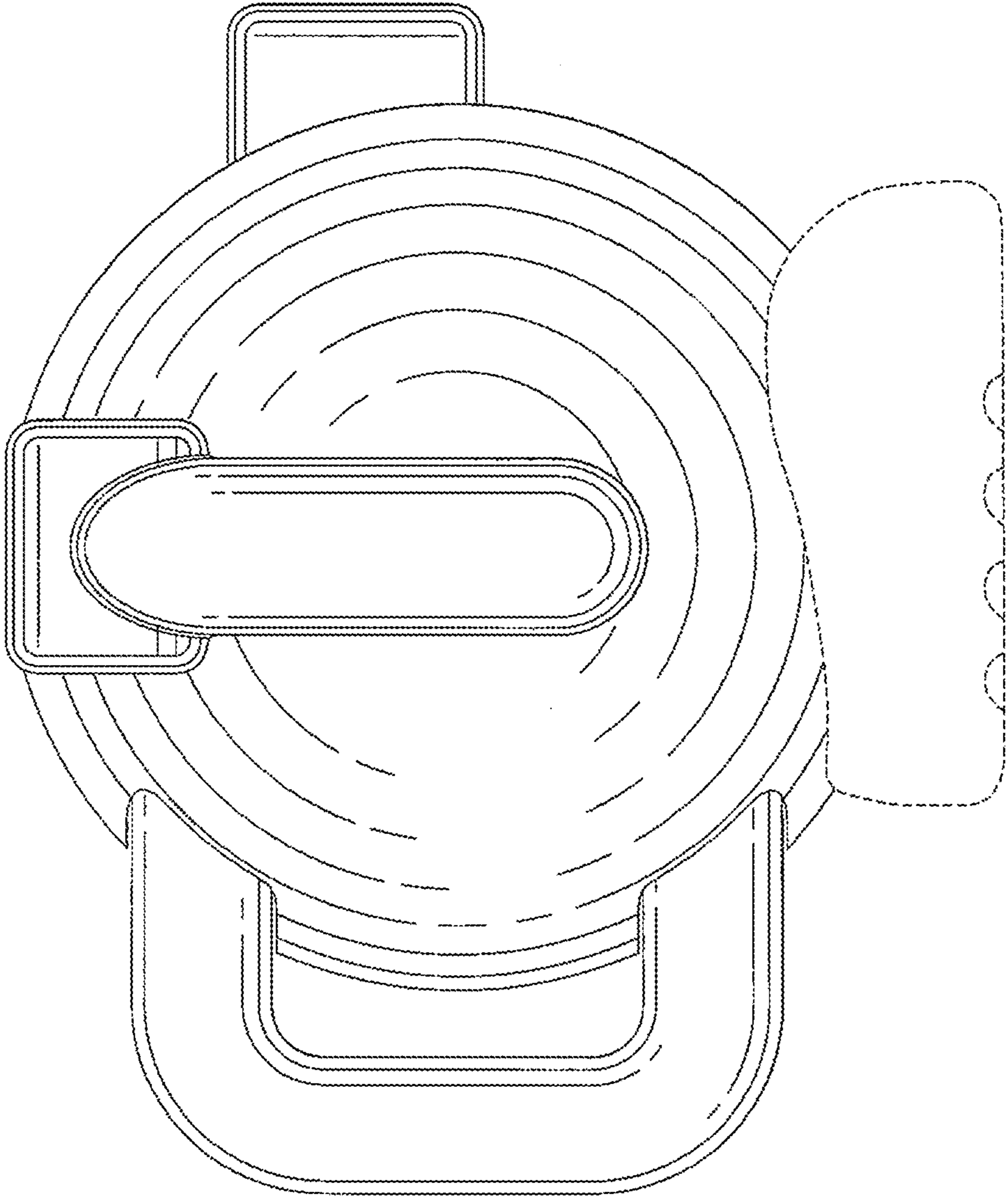


FIG. 6

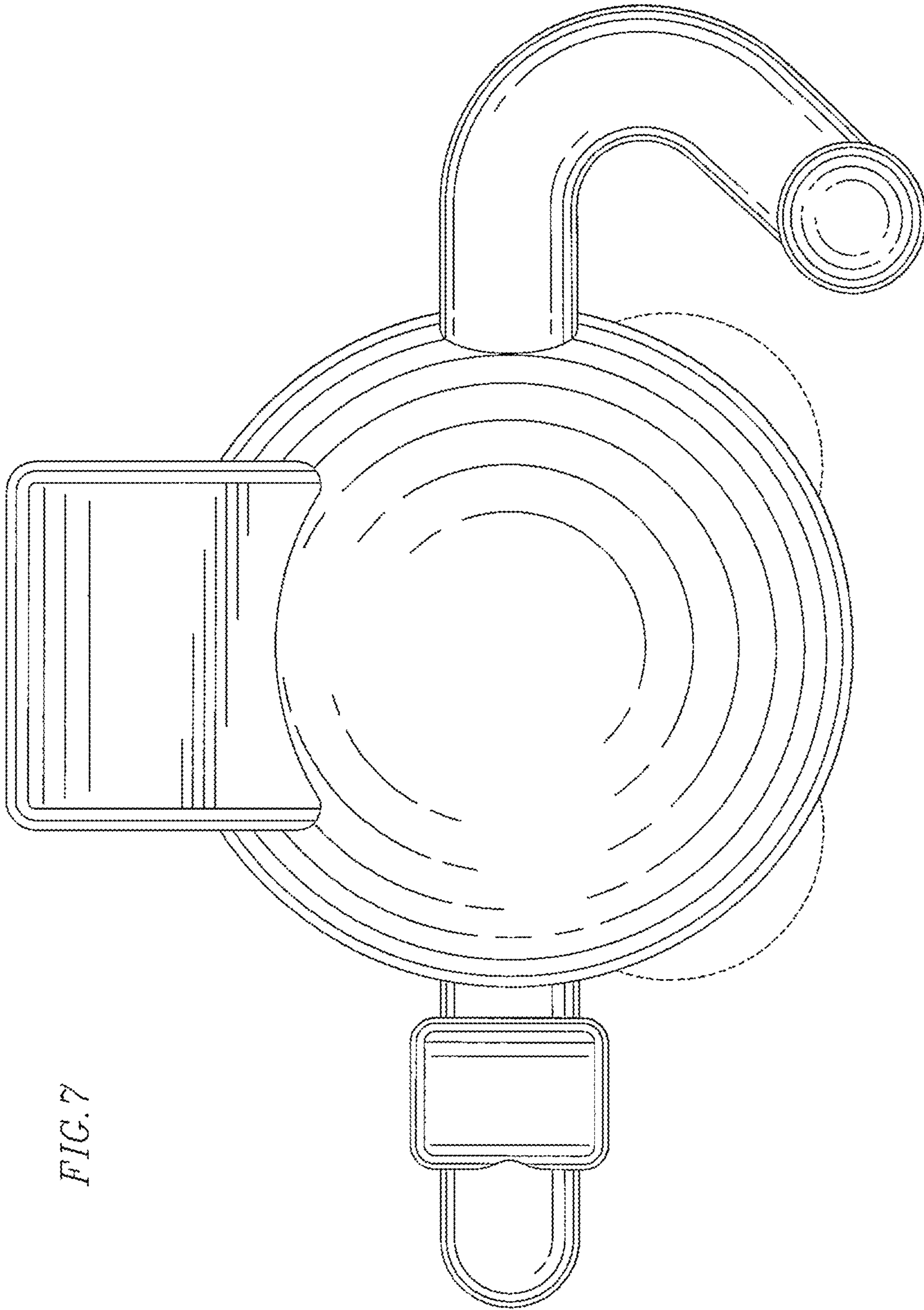


FIG. 7



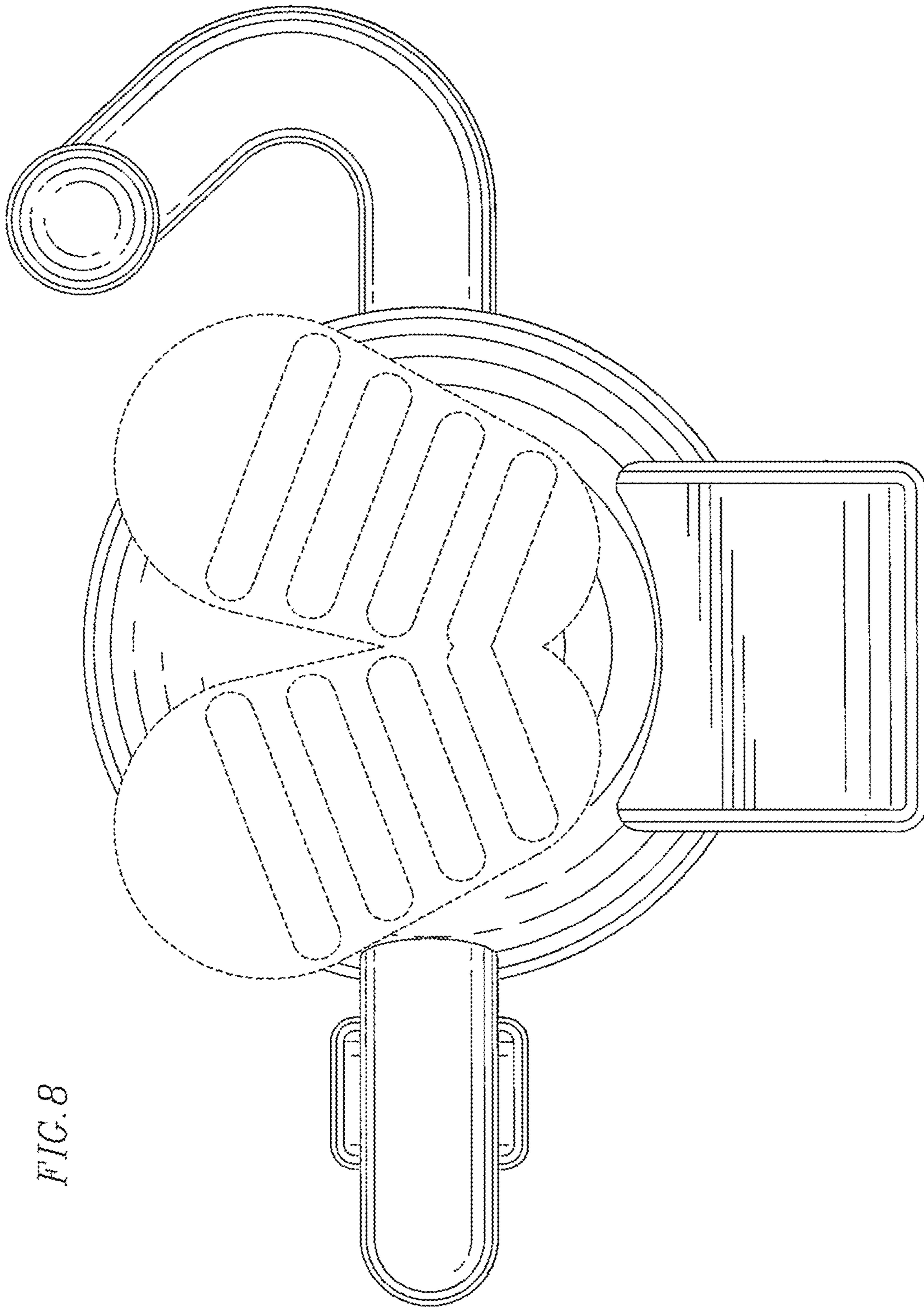


FIG. 8

FIG. 9

