



US00D786987S

(12) **United States Design Patent** (10) **Patent No.:** **US D786,987 S**
Su (45) **Date of Patent:** **** May 16, 2017**

(54) **TOY WATER GUN WITH TANK**
(71) Applicant: **TAIWAN JOCA CORP.**, Taipei (TW)
(72) Inventor: **Tsang-Sheng Su**, Taipei (TW)
(73) Assignee: **TAIWAN JOCA CORP.**, Taipei (TW)
(**) Term: **14 Years**
(21) Appl. No.: **29/516,788**
(22) Filed: **Feb. 5, 2015**
(51) **LOC (10) Cl.** **21-01**
(52) **U.S. Cl.**
USPC **D21/572**
(58) **Field of Classification Search**
USPC D21/401, 567, 575-575; D22/100, 103,
D22/104, 105; D23/231
CPC F41B 9/00; F41B 9/0003; F41B 9/0006;
F41B 9/0009; F41B 9/0012; F41B
9/0015; F41B 9/0018; F41B 9/0021;
F41B 9/0025; F41B 9/0028; F41B 9/005;
F41B 9/0059; F41B 9/0062; F41B
9/0065; F41B 9/0068
See application file for complete search history.

(56) **References Cited**

U.S. PATENT DOCUMENTS

4,214,674 A * 7/1980 Jones F41B 9/0018
124/31
D318,309 S * 7/1991 D'Andrade D21/572
5,074,437 A * 12/1991 D'Andrade B05B 9/0426
222/400.8
D336,939 S * 6/1993 Salmon D21/572
D340,957 S * 11/1993 D'Andrade D21/572
D343,213 S * 1/1994 Chan D21/572
D350,573 S * 9/1994 Caminos D21/572
D350,792 S * 9/1994 Caminos D21/572
D359,087 S * 6/1995 Caminos D21/572

5,586,688 A * 12/1996 Johnson F41B 9/0028
200/82 R
5,799,827 A * 9/1998 D'Andrade B05B 1/34
222/212
5,850,941 A * 12/1998 Johnson F41B 9/0071
222/1
5,878,914 A * 3/1999 Johnson F41B 9/0012
222/212
D416,954 S * 11/1999 Yu D21/572
D423,609 S * 4/2000 D'Andrade D21/572
D426,273 S * 6/2000 D'Andrade D21/572
D429,778 S * 8/2000 D'Andrade D21/572
D433,079 S * 10/2000 Zimmerman D21/572
D438,916 S * 3/2001 Wan D21/572
D439,286 S * 3/2001 Hornsby D21/572
6,364,219 B1 * 4/2002 Zimmerman F41B 9/0012
222/79
D478,639 S * 8/2003 Menow D21/572

* cited by examiner

Primary Examiner — Cynthia M Chin

(74) *Attorney, Agent, or Firm* — Kirton McConkie; Evan R. Witt

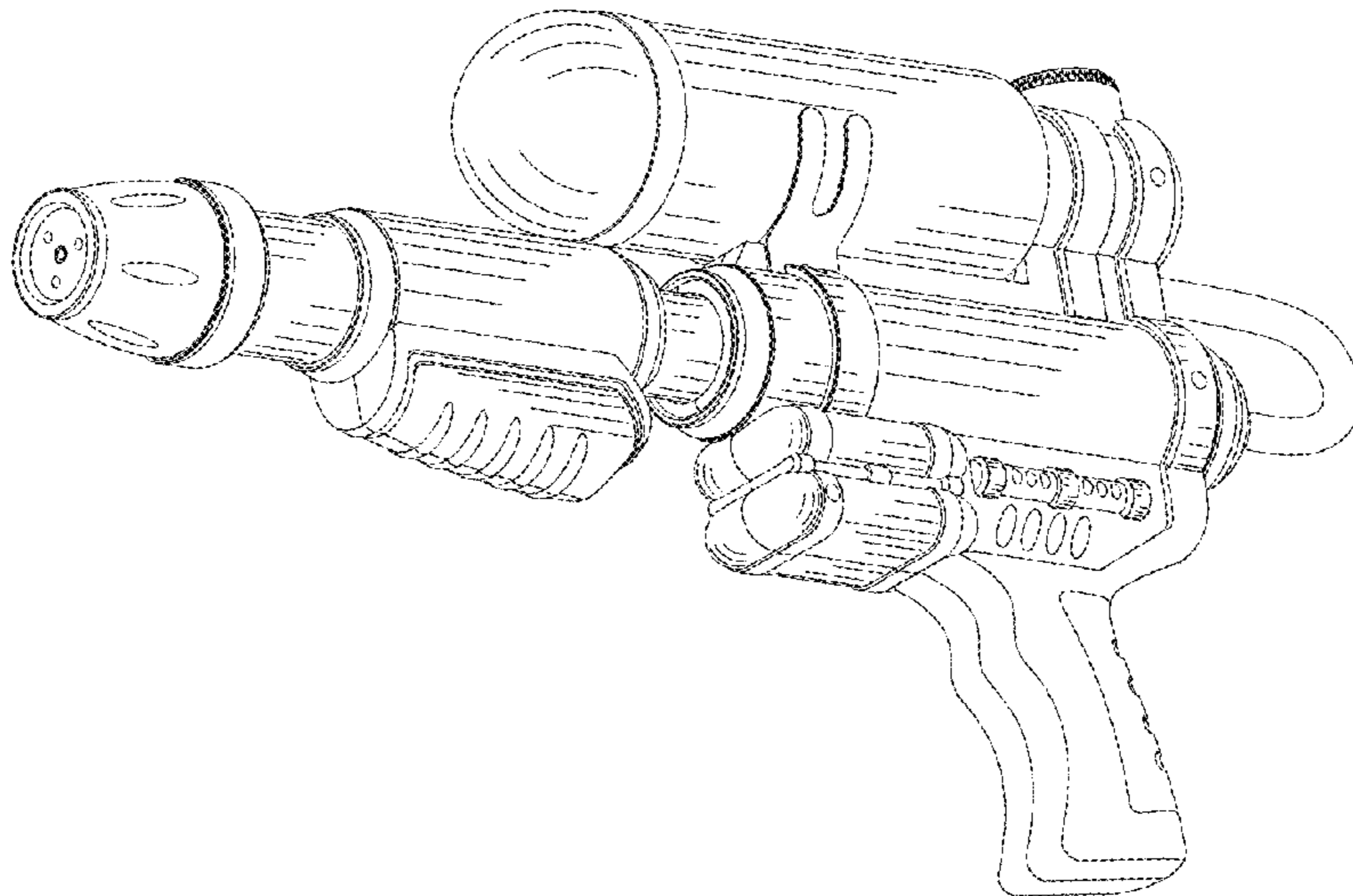
(57) **CLAIM**

The ornamental design for a toy water gun with tank, as shown and described.

DESCRIPTION

FIG. 1 is a perspective view of a toy water gun with tank showing my new design;
FIG. 2 is a front elevation view thereof;
FIG. 3 is a rear elevation view thereof;
FIG. 4 is a left side elevation view thereof;
FIG. 5 is a right side elevation view thereof;
FIG. 6 is a top plan view thereof; and,
FIG. 7 is a bottom plan view thereof.
The portion of the toy water gun with tank shown in broken lines forms no part of the claimed design.

1 Claim, 7 Drawing Sheets



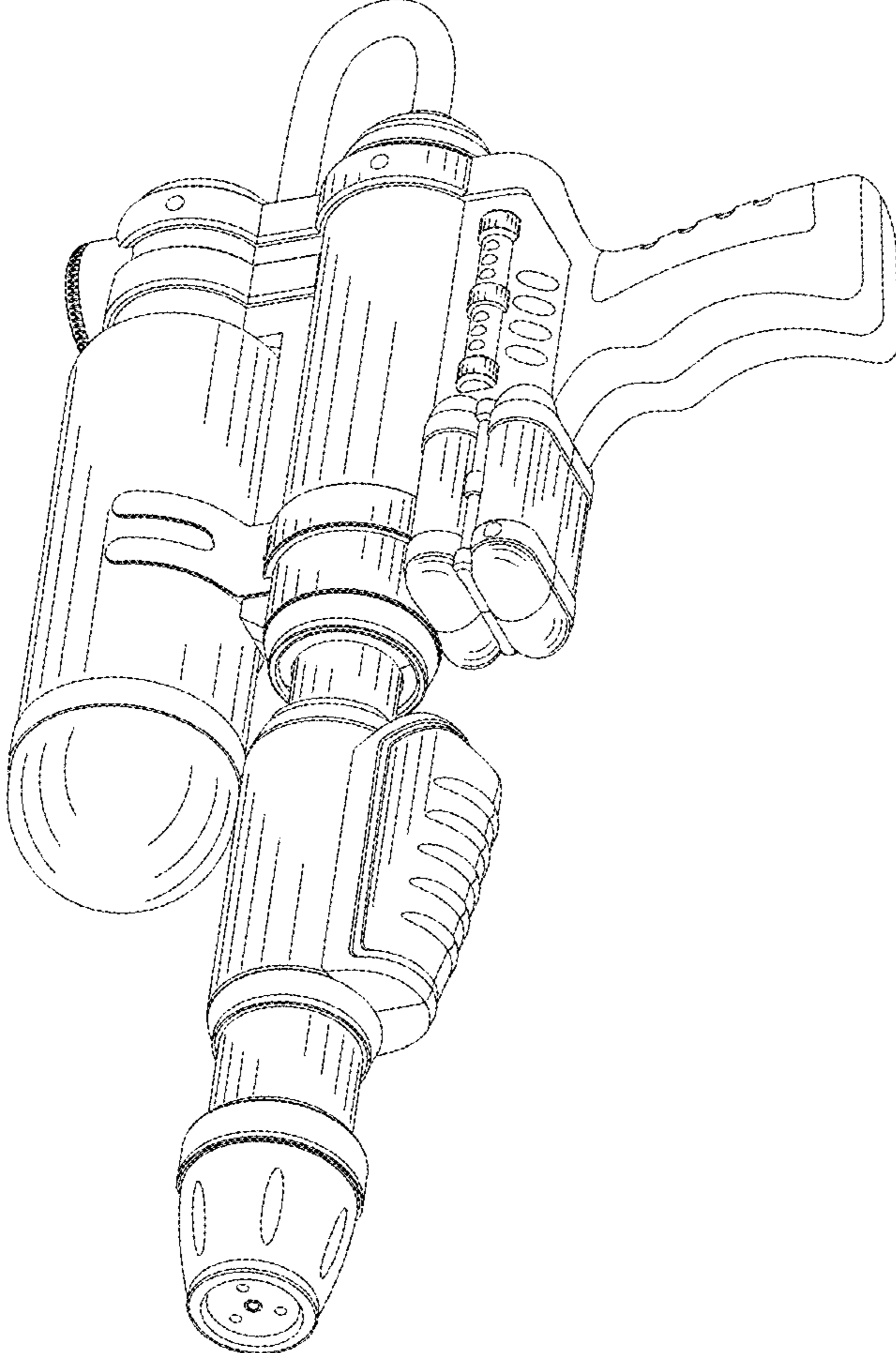


FIG. 1

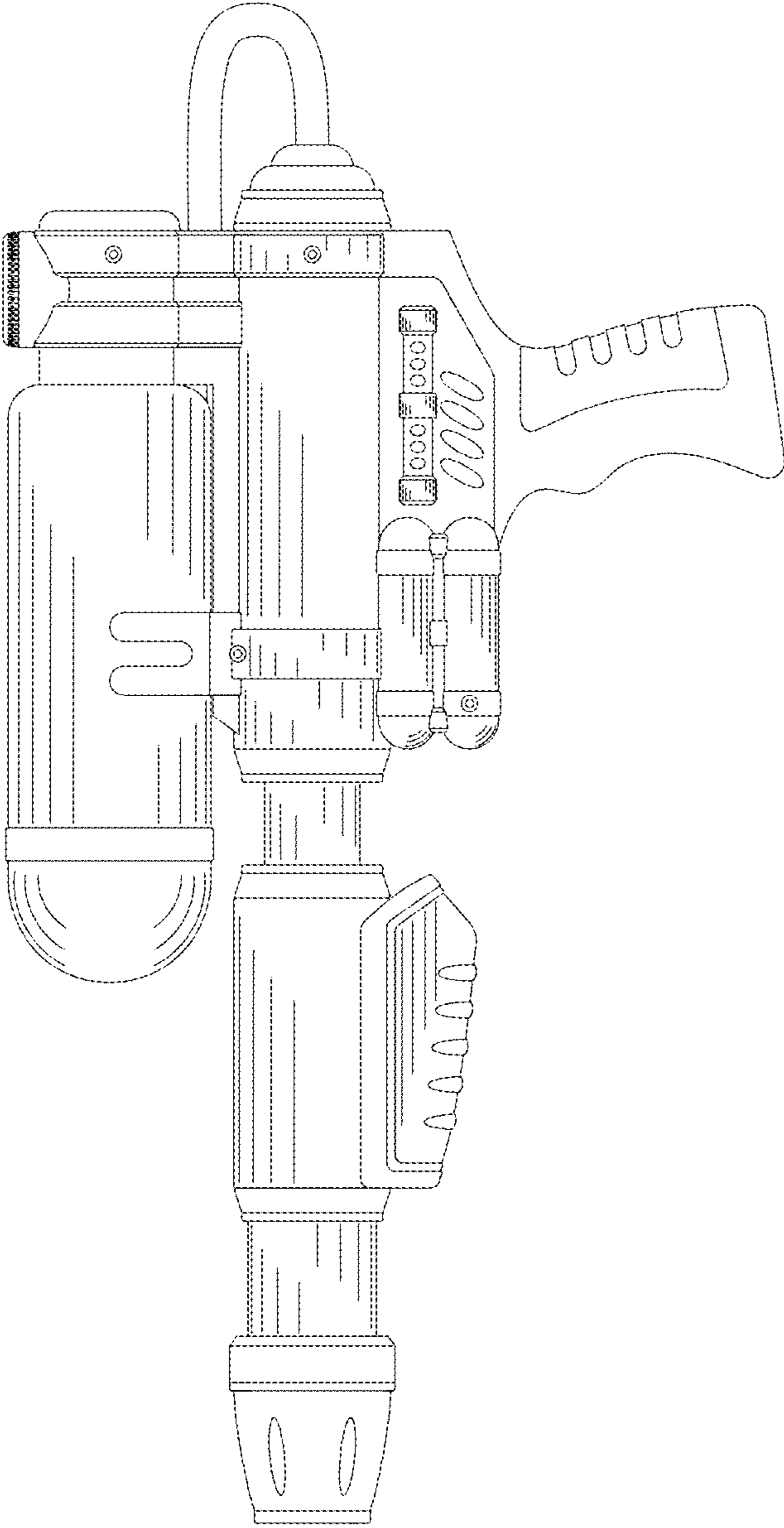


FIG. 2

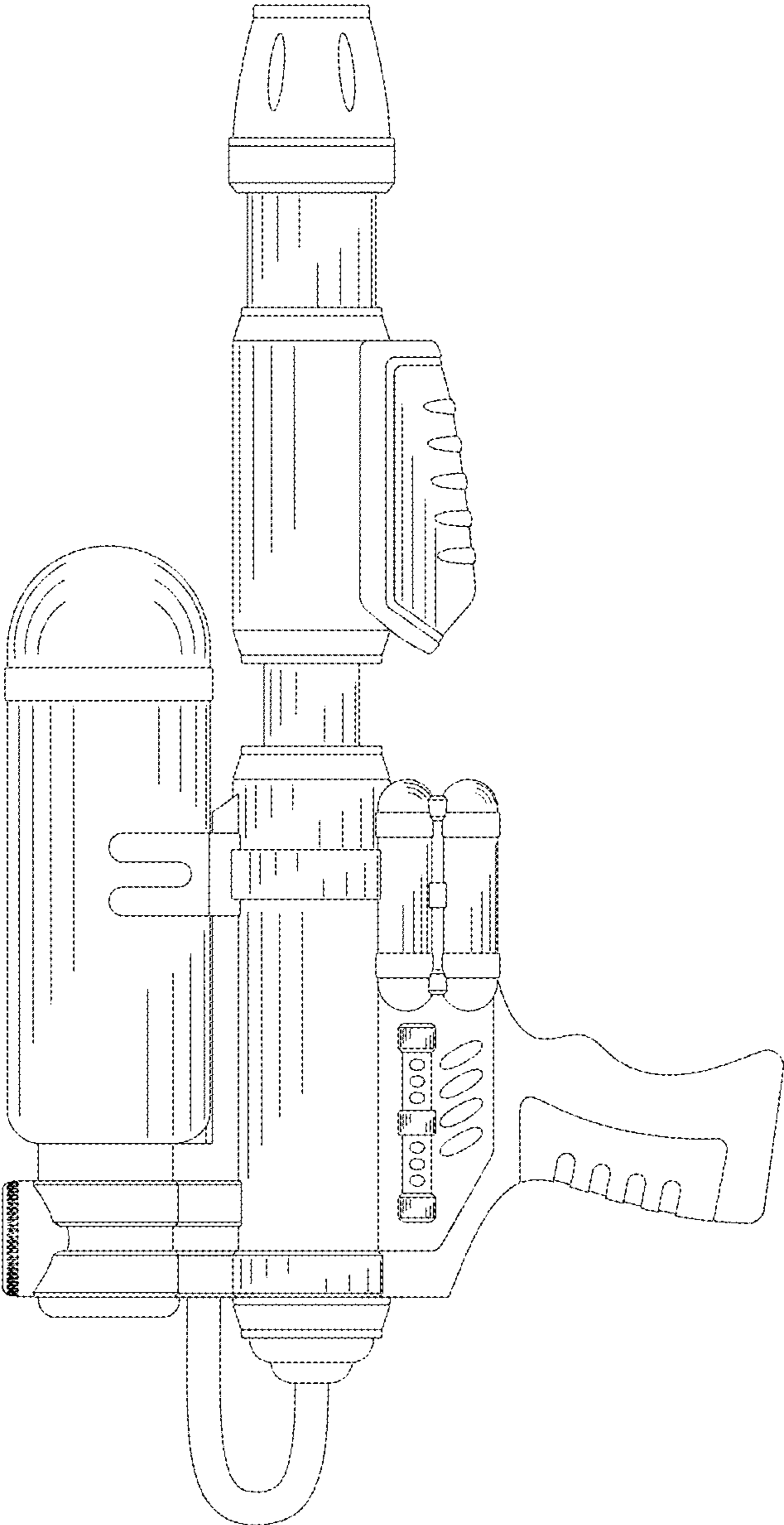


FIG. 3

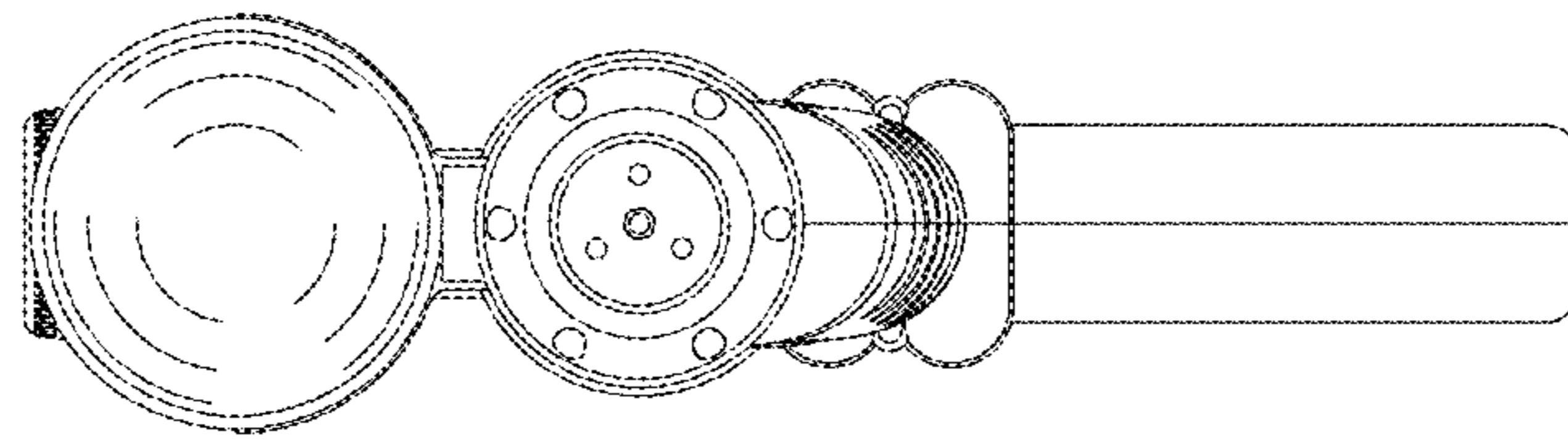


FIG. 4

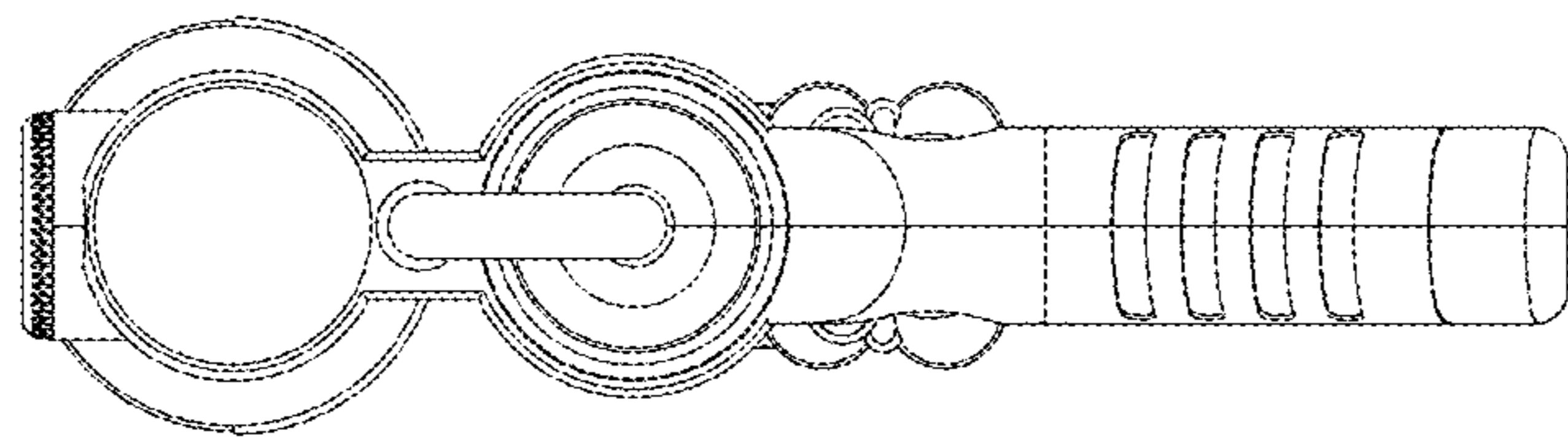


FIG. 5

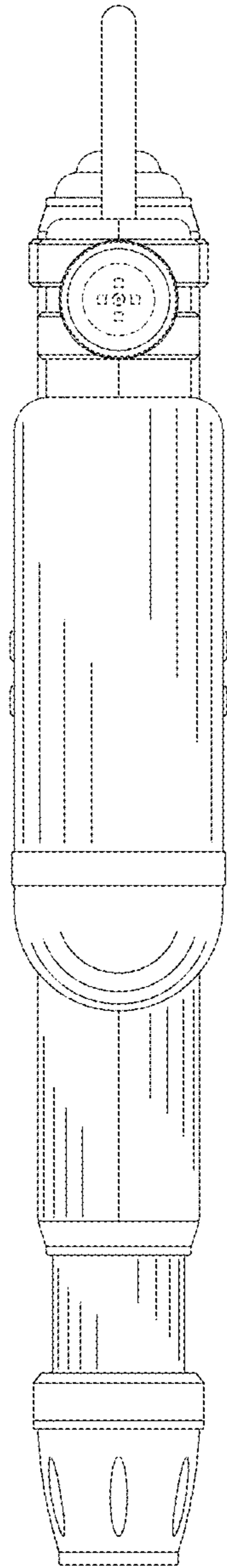


FIG. 6

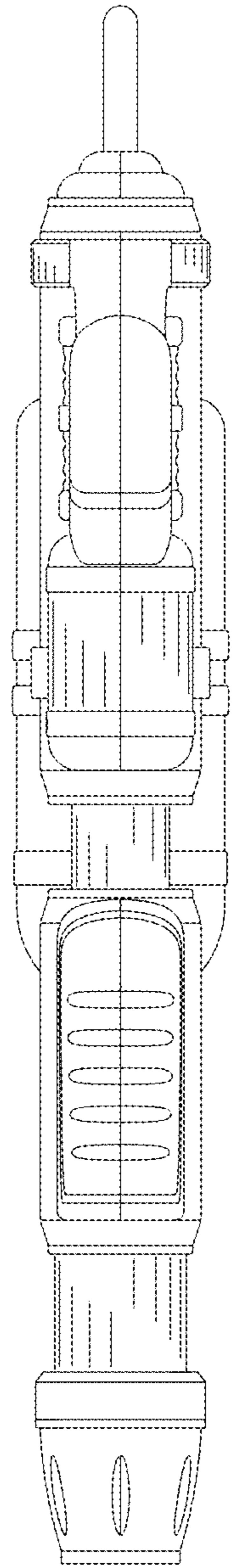


FIG. 7