



US00D786986S

(12) **United States Design Patent** (10) **Patent No.:** **US D786,986 S**
Su (45) **Date of Patent:** **** May 16, 2017**

- (54) **TOY SHOOTER**
- (71) Applicant: **TAIWAN JOCA CORP.**, Taipei (TW)
- (72) Inventor: **Tsang-Sheng Su**, Taipei (TW)
- (73) Assignee: **TAIWAN JOCA CORP.**, Taipei (TW)
- (**) Term: **14 Years**
- (21) Appl. No.: **29/516,790**
- (22) Filed: **Feb. 5, 2015**
- (51) **LOC (10) Cl.** **21-01**
- (52) **U.S. Cl.**
USPC **D21/570**
- (58) **Field of Classification Search**
USPC D21/567, 570, 573, 574; D22/100,
D22/104-106
CPC F41B 7/00; F41B 7/02; F41B 7/025; F41B
7/08; F41B 1/00; F41B 9/0037; F41B
9/004; F41B 9/0043
See application file for complete search history.

D588,212 S *	3/2009	Stadlbauer	D21/572
D617,398 S *	6/2010	Selevan	D21/572
D621,452 S *	8/2010	Wong	D21/572
7,913,880 B2 *	3/2011	Chia	F41B 9/0037 222/386
D653,295 S *	1/2012	Rothman	D21/570
D674,849 S *	1/2013	Wilson	D21/572
D676,504 S *	2/2013	Wilson	D21/572
D677,741 S *	3/2013	Wilson	D21/572
D678,427 S *	3/2013	Wilson	D21/572
D698,871 S *	2/2014	Cummings	D21/570
2006/0060604 A1 *	3/2006	Orlowski	F41B 9/0037 222/79
2008/0121652 A1 *	5/2008	Orlowski	F41B 9/0037 222/79

* cited by examiner

Primary Examiner — Cynthia M Chin

(74) *Attorney, Agent, or Firm* — Kirton McConkie; Evan R. Witt

(57) **CLAIM**

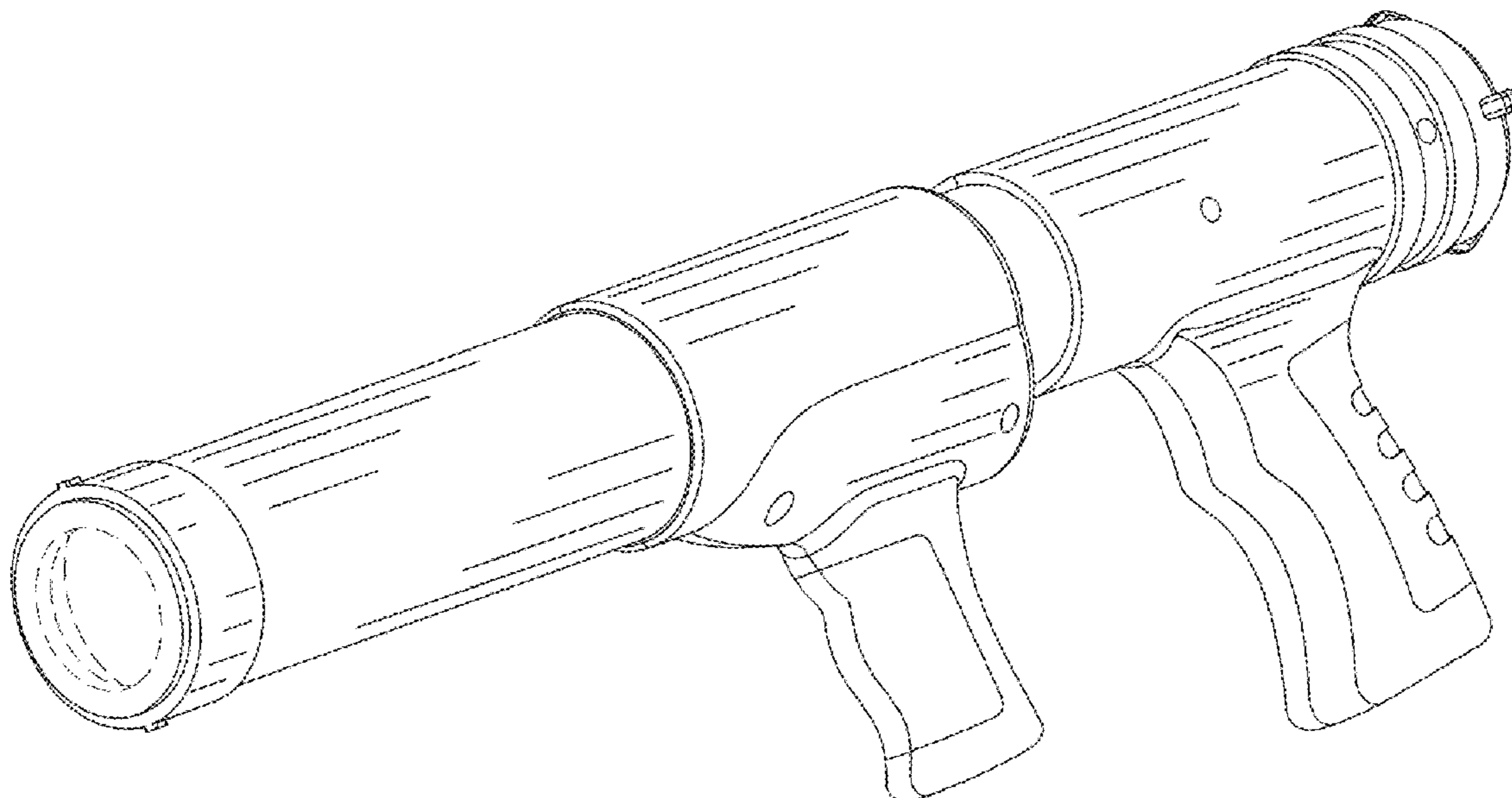
The ornamental design for a toy shooter, as shown and described.

DESCRIPTION

FIG. 1 is a perspective view a toy shooter showing my new design;
 FIG. 2 is a front elevation view thereof;
 FIG. 3 is a rear elevation view thereof;
 FIG. 4 is a left side elevation view thereof;
 FIG. 5 is a right side elevation view thereof;
 FIG. 6 is a top plan view thereof; and,
 FIG. 7 is a bottom plan view thereof.
 The portion of the toy shooter shown in broken lines forms no part of the claimed design.

1 Claim, 7 Drawing Sheets

- (56) **References Cited**
U.S. PATENT DOCUMENTS
- 4,257,460 A * 3/1981 Paranay F41B 9/0009
141/26
- D278,452 S * 4/1985 Makhouljian D21/573
- D339,616 S * 9/1993 Flaherty D21/572
- D351,007 S * 9/1994 Bednar D21/572
- D353,170 S * 12/1994 Shirai D14/418
- D390,892 S * 2/1998 D'Andrade D21/571
- 5,992,697 A * 11/1999 James B05B 11/02
222/175
- D488,521 S * 4/2004 Byrd D21/574
- D574,443 S * 8/2008 Wong D21/572



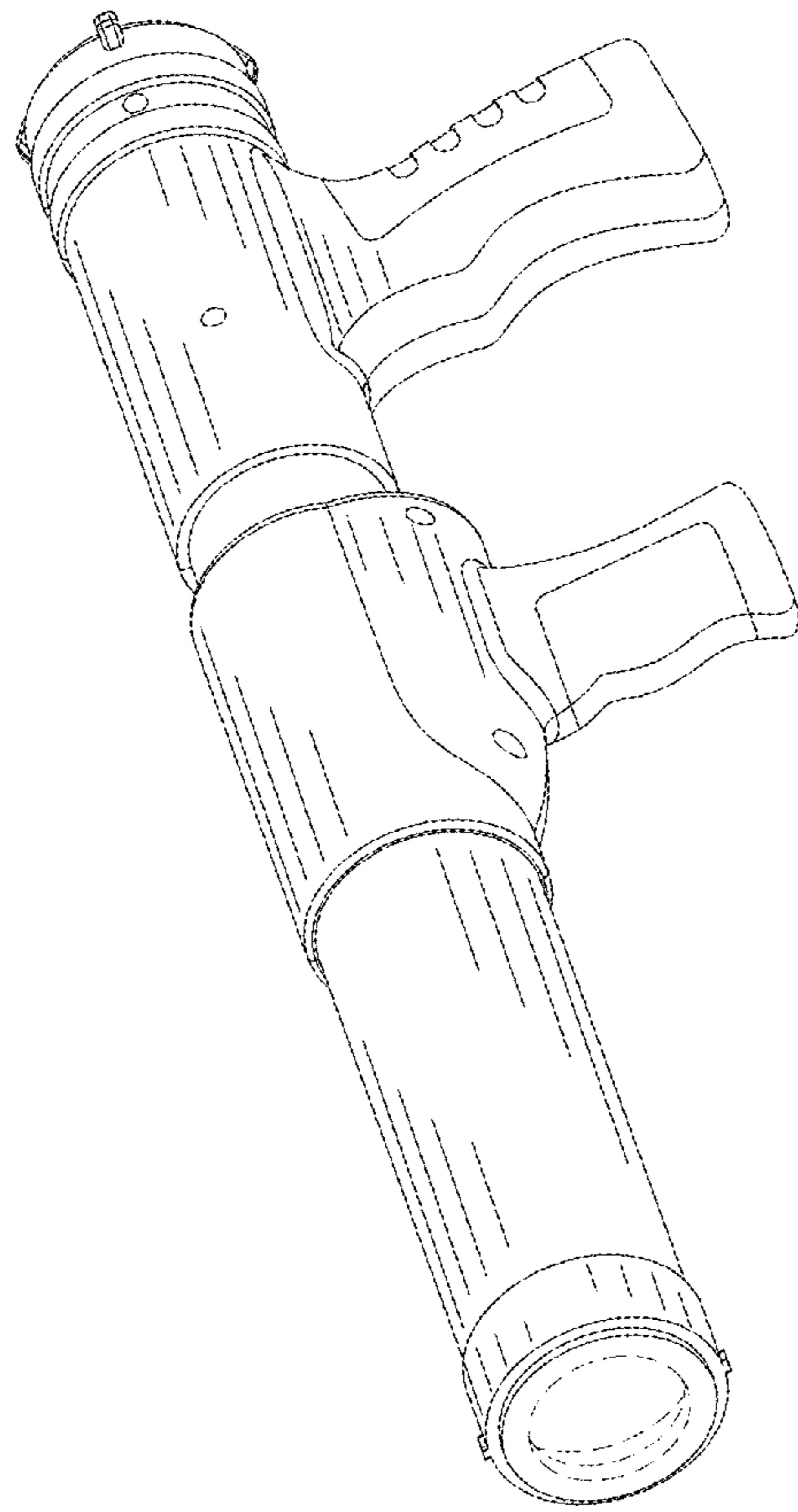


FIG. 1

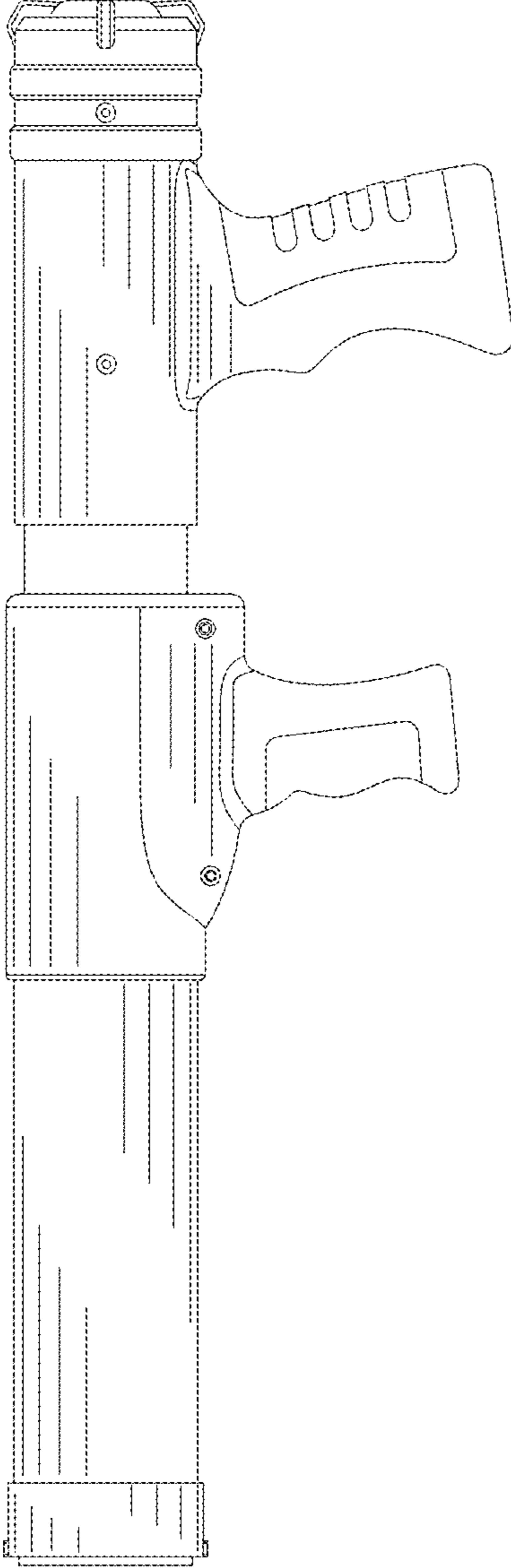


FIG. 2

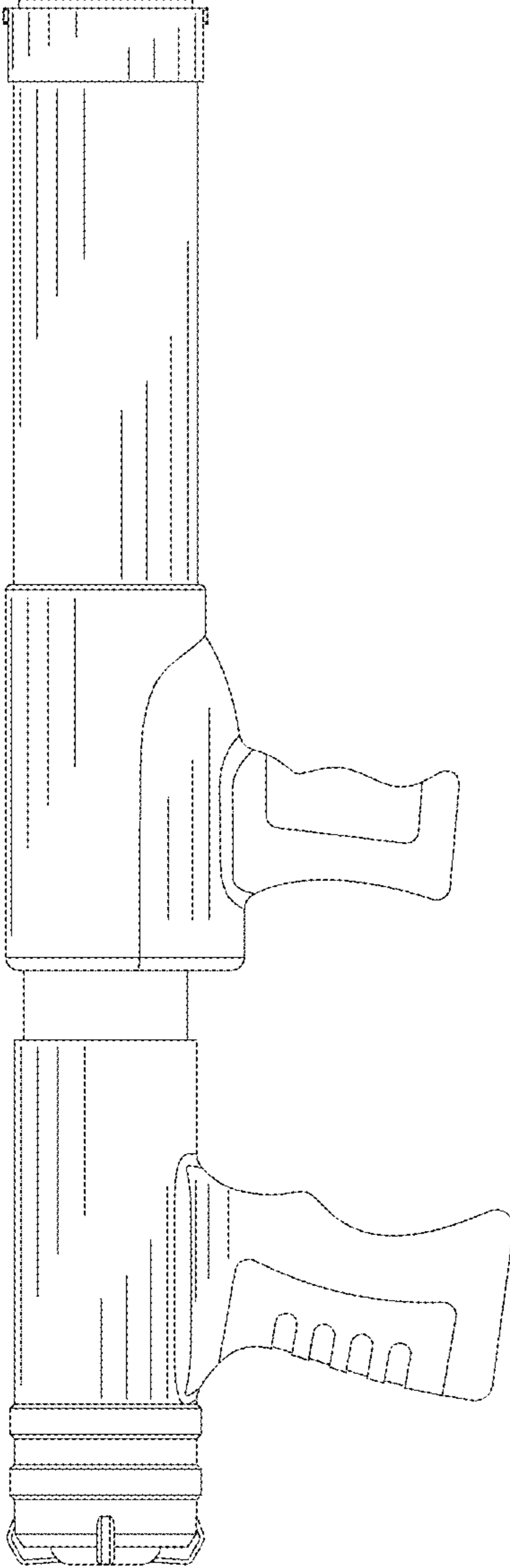


FIG. 3

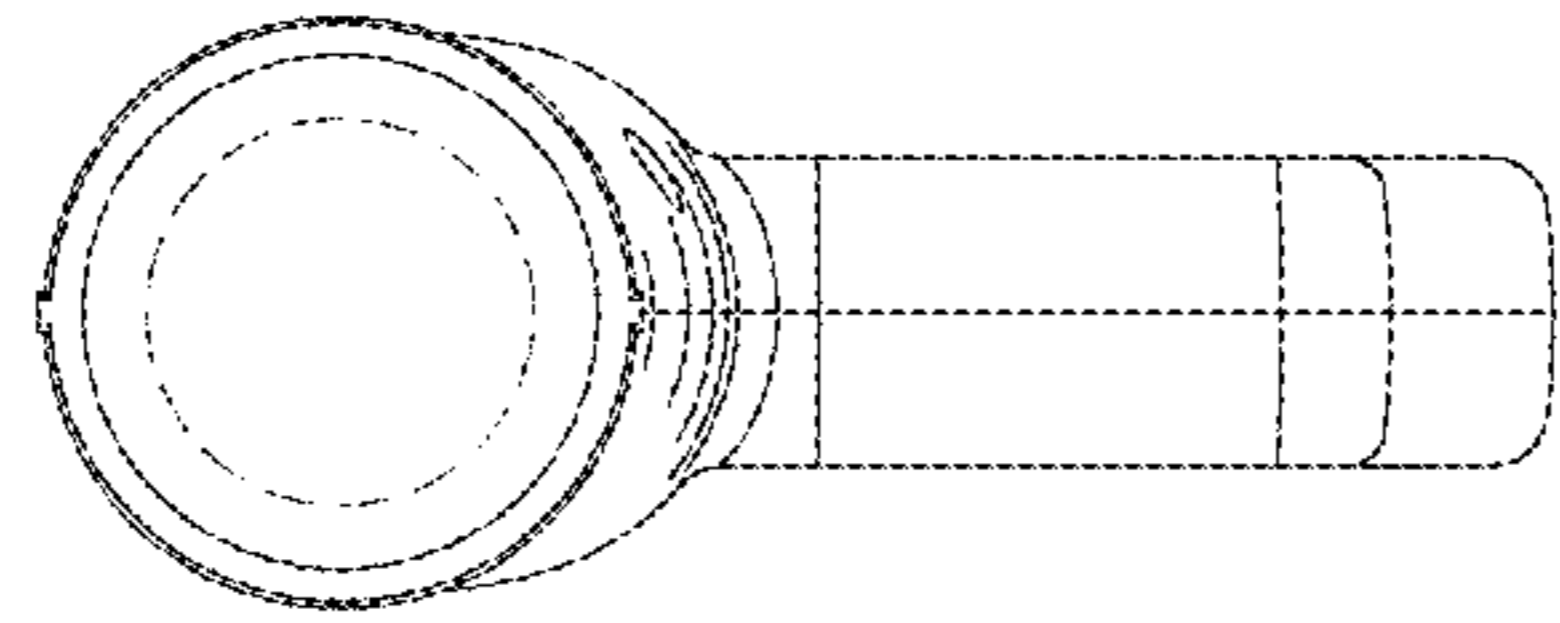


FIG. 4

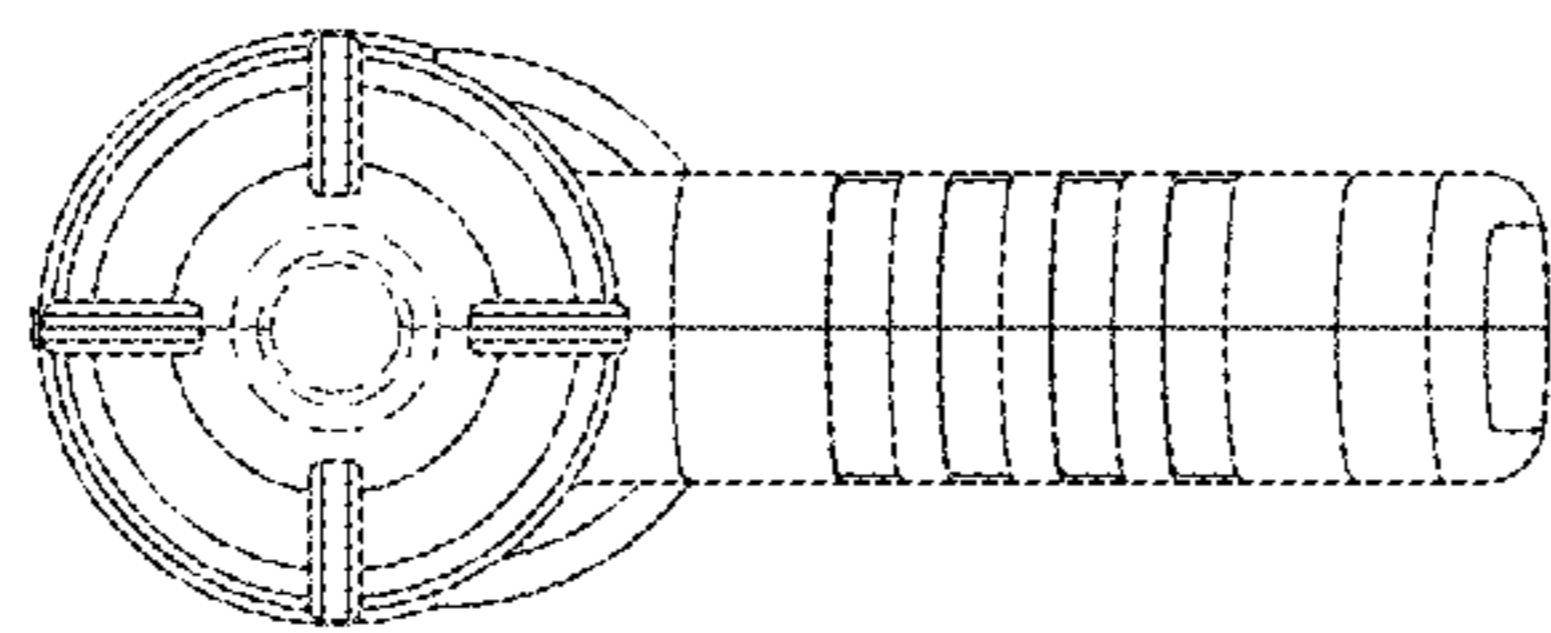


FIG. 5



FIG. 6

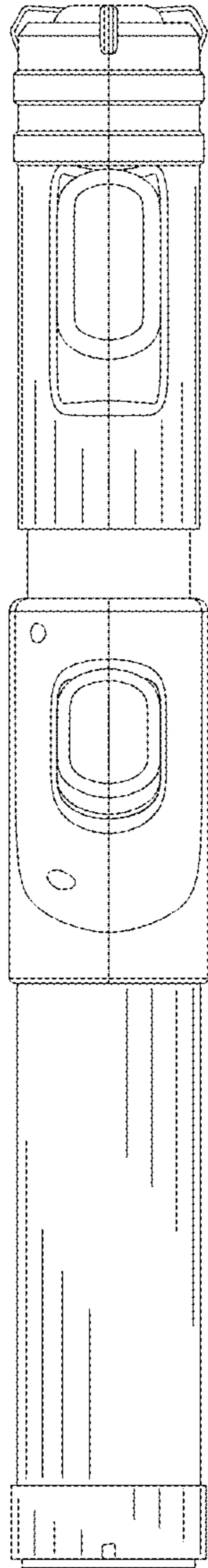


FIG. 7