



US00D786985S

(12) **United States Design Patent**  
**Ramière et al.**

(10) **Patent No.:** **US D786,985 S**

(45) **Date of Patent:** **\*\* May 16, 2017**

- (54) **CONSTRUCTION SET ELEMENT**
- (71) Applicant: **MEGA Brands Inc.**, Montreal (CA)
- (72) Inventors: **Anthony Ramière**, Montreal (CA);  
**Jonathan Brault**, Rougemont (CA)
- (73) Assignee: **MEGA Brands Inc.**, Montreal, Quebec (CA)
- (\*\*) Term: **15 Years**
- (21) Appl. No.: **29/539,011**
- (22) Filed: **Sep. 10, 2015**
- (51) **LOC (10) Cl.** ..... **21-01**
- (52) **U.S. Cl.**  
USPC ..... **D21/505**
- (58) **Field of Classification Search**  
USPC ..... D21/386, 389, 404, 468, 470, 471,  
D21/484–505; 446/69, 85, 102–128;  
434/208, 259, 403; 273/153, 156, 160;  
D25/113–116, 118  
CPC ..... A63H 33/00; A63H 33/04; A63H 33/06;  
A63H 33/08; A63H 33/084; A63H  
33/086; A63H 33/088; A63H 33/10;  
A63H 33/105; A63H 33/108; A63H 33/52  
See application file for complete search history.

(56) **References Cited**

**U.S. PATENT DOCUMENTS**

- 1,216,840 A \* 2/1917 Ramsey et al. .... A63H 33/105  
446/122
  - 3,034,254 A 5/1962 Christiansen
  - D204,286 S 4/1966 Stockton
- (Continued)

**OTHER PUBLICATIONS**

Eye toy, posted on hawangdesign.com 2014 <<http://www.hawangdesign.com/blog/?p=301>>.\*

(Continued)

*Primary Examiner* — Cynthia M Chin  
(74) *Attorney, Agent, or Firm* — Plumsea Law Group, LLC

(57) **CLAIM**

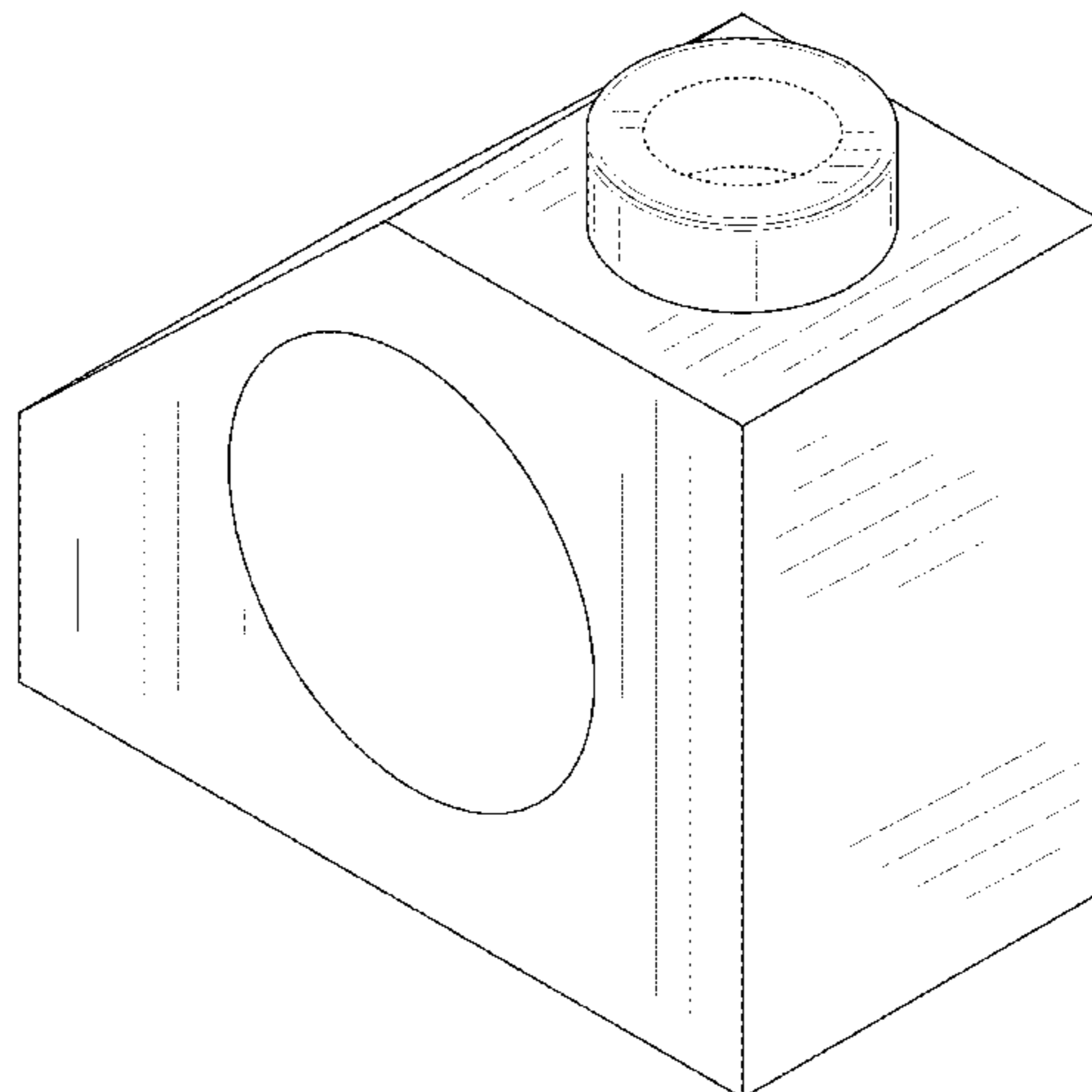
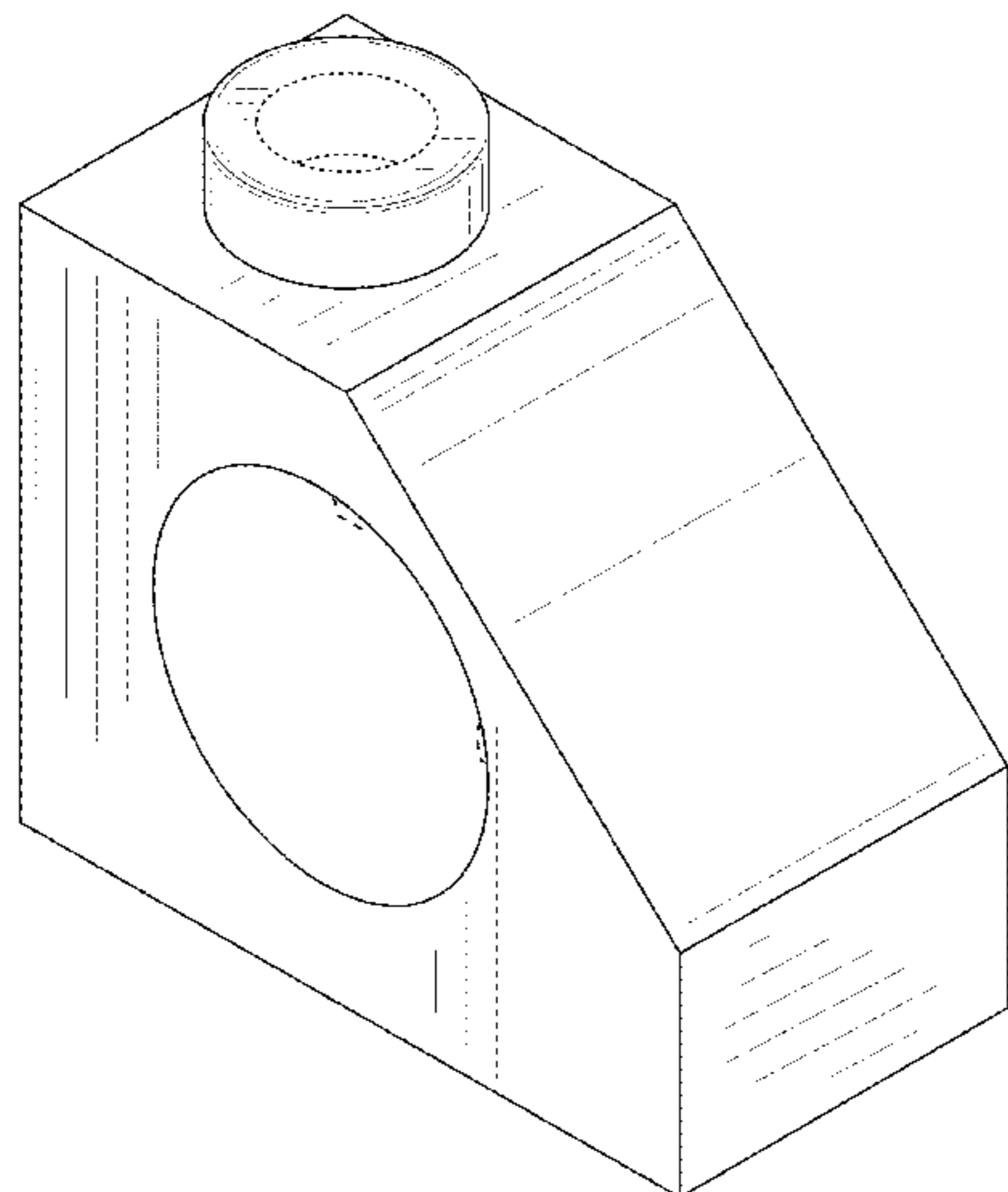
The ornamental design for a construction set element, as shown and described.

**DESCRIPTION**

FIG. 1 is a top isometric perspective view of a construction set element showing the new design;  
 FIG. 2 is a front elevational view of the construction set element of FIG. 1;  
 FIG. 3 is a rear elevational view of the construction set element of FIG. 1;  
 FIG. 4 is a right side elevational view of the construction set element of FIG. 1;  
 FIG. 5 is a left side elevational view of the construction set element of FIG. 1;  
 FIG. 6 is a top plan view of the construction set element of FIG. 1;  
 FIG. 7 is a bottom plan view of the construction set element of FIG. 1;  
 FIG. 8 is a top isometric perspective view of another embodiment of a construction set element showing the new design;  
 FIG. 9 is a front elevational view of the construction set element of FIG. 8;  
 FIG. 10 is a rear elevational view of the construction set element of FIG. 8;  
 FIG. 11 is a right side elevational view of the construction set element of FIG. 8;  
 FIG. 12 is a left side elevational view of the construction set element of FIG. 8;  
 FIG. 13 is a top plan view of the construction set element of FIG. 8; and,  
 FIG. 14 is a bottom plan view of the construction set element of FIG. 8.

The broken lines and unshaded areas form no part of the claimed design.

**1 Claim, 14 Drawing Sheets**



(56)

References Cited

U.S. PATENT DOCUMENTS

D272,255 S \* 1/1984 Chatani ..... D21/502  
 D285,705 S 9/1986 Dideriksen  
 4,846,750 A \* 7/1989 Tapdrup ..... A63F 9/12  
 446/118  
 D304,042 S 10/1989 Poulsen  
 D308,233 S 5/1990 Fish, Jr.  
 D308,234 S 5/1990 Fish, Jr.  
 D311,938 S 11/1990 Andersen  
 D312,099 S 11/1990 Andersen  
 D312,105 S \* 11/1990 Olsen ..... D21/497  
 D314,405 S 2/1991 Pedersen et al.  
 D315,376 S 3/1991 Meyer  
 D315,381 S \* 3/1991 Meyer ..... D21/505  
 D317,480 S 6/1991 Skov et al.  
 D317,482 S 6/1991 Michaelsen et al.  
 D317,635 S 6/1991 Eggert et al.  
 D318,077 S 7/1991 Larsen et al.  
 D318,696 S 7/1991 Hoyer et al.  
 D319,267 S 8/1991 Hoyer et al.  
 D327,303 S \* 6/1992 Rasmussen ..... D21/617  
 D329,068 S 9/1992 Rasmussen  
 D330,055 S 10/1992 Jarnros  
 D330,056 S 10/1992 Pagel  
 D332,471 S 1/1993 Rahbek  
 D332,472 S 1/1993 Rahbek  
 D332,644 S 1/1993 Rahbek  
 D337,355 S 7/1993 Voldmester  
 D337,356 S 7/1993 Voldmester  
 D343,426 S \* 1/1994 Sher ..... 446/128  
 D346,627 S 5/1994 Bach  
 D350,789 S 9/1994 Ryaa et al.  
 D351,005 S 9/1994 Hojlund et al.  
 D353,629 S 12/1994 Skov  
 D354,529 S 1/1995 Skov  
 D360,909 S 8/1995 Frederiksen  
 D360,910 S 8/1995 Frederiksen  
 D361,099 S 8/1995 Skov  
 D361,100 S 8/1995 Skov et al.  
 D362,474 S 9/1995 Voldmester et al.  
 D363,095 S 10/1995 Voldmester  
 D384,989 S 10/1997 Andersen  
 5,674,103 A 10/1997 Bean  
 D409,260 S 5/1999 Toft  
 D411,262 S 6/1999 Toft  
 D415,539 S \* 10/1999 Rudy ..... D21/505  
 6,132,281 A 10/2000 Klitsner et al.  
 6,200,187 B1 3/2001 Olsen et al.  
 D455,463 S 4/2002 Martin et al.  
 D456,048 S 4/2002 Sorensen  
 D464,381 S 10/2002 Sorensen  
 D512,748 S 12/2005 Hageman  
 D537,484 S 2/2007 Ganderton  
 D546,899 S 7/2007 Sorensen  
 D546,902 S 7/2007 Ganderton  
 D550,784 S 9/2007 Glickman et al.  
 D552,190 S 10/2007 Glickman et al.  
 D562,412 S 2/2008 Tremblay et al.  
 D573,203 S \* 7/2008 Chun ..... D21/505  
 D587,765 S 3/2009 Dawes  
 7,658,662 B2 2/2010 Tremblay et al.  
 D614,247 S 4/2010 Clausen  
 D614,707 S 4/2010 Ryaa  
 D641,054 S 7/2011 Clausen  
 D647,698 S 11/2011 Cally  
 D647,699 S 11/2011 Cally  
 D660,597 S 5/2012 Leblanc  
 D667,508 S 9/2012 Frederiksen  
 D669,213 S \* 10/2012 Celia ..... D28/7  
 D676,653 S 2/2013 Leblanc  
 D678,326 S \* 3/2013 Lee ..... D21/659  
 D680,176 S 4/2013 Chin  
 D681,330 S 5/2013 Leblanc  
 D684,364 S 6/2013 Leblanc  
 D684,770 S 6/2013 Leblanc  
 D689,954 S 9/2013 Rya

D689,957 S 9/2013 Jensen  
 8,528,489 B2 9/2013 Roy et al.  
 D697,146 S \* 1/2014 Richards ..... D21/484  
 D699,439 S 2/2014 Leblanc  
 D699,441 S 2/2014 Leblanc  
 D699,442 S 2/2014 Leblanc  
 D700,248 S 2/2014 Proulx et al.  
 D701,921 S 4/2014 Andersen  
 D707,554 S 6/2014 Lavoie  
 D753,311 S \* 4/2016 Long ..... D24/186  
 D753,312 S \* 4/2016 Long ..... D24/186  
 D753,774 S \* 4/2016 Proulx ..... D21/505  
 2006/0027794 A1 \* 2/2006 Heinz ..... B66F 7/243  
 254/88

OTHER PUBLICATIONS

LEGO DUPLO Creative Sorter, eye decoration, posted on geekalerts Oct. 23, 2012 <<http://www.geekalerts.com/lego-duplo-creative-sorter/>>.\*  
 LEGO DUPLO Bricks and Books Set Review, posted on craftinessisnotoptional.com Jul. 11, 2012 <<http://www.craftinessisnotoptional.com/2012/07/lego-duplo-bricks-and-books-set-review.html>>.\*  
 Office Action mailed Dec. 4, 2015 in Design U.S. Appl. No. 29/515,645.  
 Notice of Allowance mailed Nov. 30, 2015 in Design U.S. Appl. No. 29/515,649.  
 Office Action mailed Dec. 1, 2015 in Design U.S. Appl. No. 29/515,647.  
 BricksABillion article. "Interview with Angus MacLane about CubeDudes." Oct. 6, 2009. Retrieved from the Internet: <[URL: https://web.archive.org/web/20091006020951/http://www.bricksabillion/interview-with-angus-maclane-about-cubedudes/](https://web.archive.org/web/20091006020951/http://www.bricksabillion/interview-with-angus-maclane-about-cubedudes/)>.  
 "LEGO building instructions: LEGO CubeDudes." Mar. 28, 2012. Retrieved from the Internet: <[URL: https://thebrickblogger.com/2012/03/lego-cubedudes/](https://thebrickblogger.com/2012/03/lego-cubedudes/)>.  
 Pixel Pops. "New Arrivals." Sep. 15, 2014. Retrieved from the Internet: <[URL: https://web.archive.org/web/20140915211347/http://www.mypixelpops.com/](https://web.archive.org/web/20140915211347/http://www.mypixelpops.com/)>.  
 Pixel Pops. "Kitten." Sep. 26, 2014. Retrieved from the Internet: <[URL: https://web.archive.org/web/20140926062439/http://www.mypixelpops.com/Products/New-Arrivals/Kitten](https://web.archive.org/web/20140926062439/http://www.mypixelpops.com/Products/New-Arrivals/Kitten)>.  
 Pixel Pops. "Parrot." Sep. 26, 2014. Retrieved from the Internet: <[URL: https://web.archive.org/web/20140926072032/http://www.mypixelpops.com/Products/New-Arrivals/Parrot](https://web.archive.org/web/20140926072032/http://www.mypixelpops.com/Products/New-Arrivals/Parrot)>.  
 Pixel Pops. "Panda." Sep. 26, 2014. Retrieved from the Internet: <[URL: https://web.archive.org/web/20140926072024/http://www.mypixelpops.com/Products/New-Arrivals/Panda](https://web.archive.org/web/20140926072024/http://www.mypixelpops.com/Products/New-Arrivals/Panda)>.  
 Pixel Pops. "Hedgehog." Sep. 26, 2014. Retrieved from the Internet: <[URL: https://web.archive.org/web/20140926130041/http://www.mypixelpops.com/Products/New-Arrivals/Hedgehog](https://web.archive.org/web/20140926130041/http://www.mypixelpops.com/Products/New-Arrivals/Hedgehog)>.  
 Pixel Pops. "Elephant." Sep. 26, 2014. Retrieved from the Internet: <[URL: https://web.archive.org/web/20140926060917/http://www.mypixelpops.com/Products/New-Arrivals/Elephant](https://web.archive.org/web/20140926060917/http://www.mypixelpops.com/Products/New-Arrivals/Elephant)>.  
 Pixel Pops. "Duck." Sep. 26, 2014. Retrieved from the Internet: <[URL: https://web.archive.org/web/20140926130037/http://www.mypixelpops.com/Products/New-Arrivals/Duck](https://web.archive.org/web/20140926130037/http://www.mypixelpops.com/Products/New-Arrivals/Duck)>.  
 Pixel Pops. "Zombie Invasion." Retrieved Sep. 30, 2015 from the Internet: <[URL: http://www.mypixelpops.com/Products/Pixel-Pops/Zombie-Invasion](http://www.mypixelpops.com/Products/Pixel-Pops/Zombie-Invasion)>.  
 Pixel Pops. "Forest Adventure." Retrieved Sep. 30, 2015 from the Internet: <[URL: http://www.mypixelpops.com/Products/Pixel-Pops/Forest-Adventure](http://www.mypixelpops.com/Products/Pixel-Pops/Forest-Adventure)>.  
 Pixel Pops. "Cupcake Bakery." Retrieved Sep. 30, 2015 from the Internet: <[URL: http://www.mypixelpops.com/Products/Pixel-Pops/Cupcake-Bakery](http://www.mypixelpops.com/Products/Pixel-Pops/Cupcake-Bakery)>.  
 Pixel Pops. "Pig." Retrieved Sep. 30, 2015 from the Internet: <[URL: http://www.mypixelpops.com/Products/Pixel/Pops/Pig](http://www.mypixelpops.com/Products/Pixel/Pops/Pig)>.  
 Pixel Pops. "Koala." Retrieved Sep. 30, 2015 from the Internet: <[URL: http://www.mypixelpops.com/Products/Pixel/Pops/Koala](http://www.mypixelpops.com/Products/Pixel/Pops/Koala)>.

(56)

**References Cited**

## OTHER PUBLICATIONS

Pixel Pops. "Giraffe." Retrieved Sep. 30, 2015 from the Internet: <URL: <http://www.mypixelpops.com/Products/Pixel/Pops/Giraffe>>.

Pixel Pops. "Penguin." Retrieved Sep. 30, 2015 from the Internet: <URL: <http://www.mypixelpops.com/Products/Pixel/Pops/Penguin>>.

Pixel Pops. "Pug." Retrieved Sep. 30, 2015 from the Internet: <URL: <http://www.mypixelpops.com/Products/Pixel/Pops/Pug>>.

Pixel Pops. "Lizard." Retrieved Sep. 30, 2015 from the Internet: <URL: <http://www.mypixelpops.com/Products/Pixel/Pops/Lizard>>.

"Slope Brick 33 3 x2," Lego Part 3298, first produced 1971 according to: <URL: <http://www.peeron.com/inv/parts/3298>>.

MacLane, Angus. "All of the CubeDude sculptures." Photographs uploaded to [www.flickr.com](http://www.flickr.com) from Sep. 21, 2009 through Dec. 21, 2010. Retrieved from the Internet: <URL: <https://www.flickr.com/photos/27826007@N05/albums/72157623336762161/with/5280621799/>>.

"Duplo Slope Brick 45 2 x2 x1 1/2," Lego Part 6474, first produced 1996 according to: <URL: <http://www.peeron.com/inv/parts/6474>>.

"Slope Brick 45 2 x1," Lego Part 3040b, first produced 1971 according to: <URL: <http://www.peeron.com/inv/parts/3040b?color=Black>>.

"Slope Brick 33 3 x1." Lego Part 4286, first produced 1982 according to: <URL: <http://www.peeron.com/inv/parts/4286>>.

"Slope Brick 75 2 x1 x3," Lego Part 4460, first produced 1984 according to: <URL: <http://www.peeron.com/inv/parts/4460>>.

"Slope Brick 18 4 x2," Lego Part 30363, first produced 1999 according to: <URL: <http://www.peeron.com/inv/parts/30363>>.

"Slope Brick 18 4 x1." Lego Part 60477, first produced 2008 according to: <URL: <http://www.peeron.com/inv/parts/60477>>.

"Slope Brick 65 2 x1 x2," Lego Part 60481, first produced 2008 according to: <URL: <http://www.peeron.com/inv/parts/60481>>.

"Duplo Slope Brick 40 2 x3 x2," Lego Part 63871, first produced 2009 according to: <URL: <http://www.peeron.com/inv/parts/63871>>.

Design U.S. Appl. No. 29/515,647, filed Jan. 26, 2015.

Design U.S. Appl. No. 29/539,011, filed Sep. 10, 2015.

Excerpt of 1997 Mega Bloks Catalog, 3 pages.

Excerpt of 2009 Mega Bloks Catalog, 16 pages.

Excerpt of 2011 Mega Bloks Catalog, 12 pages.

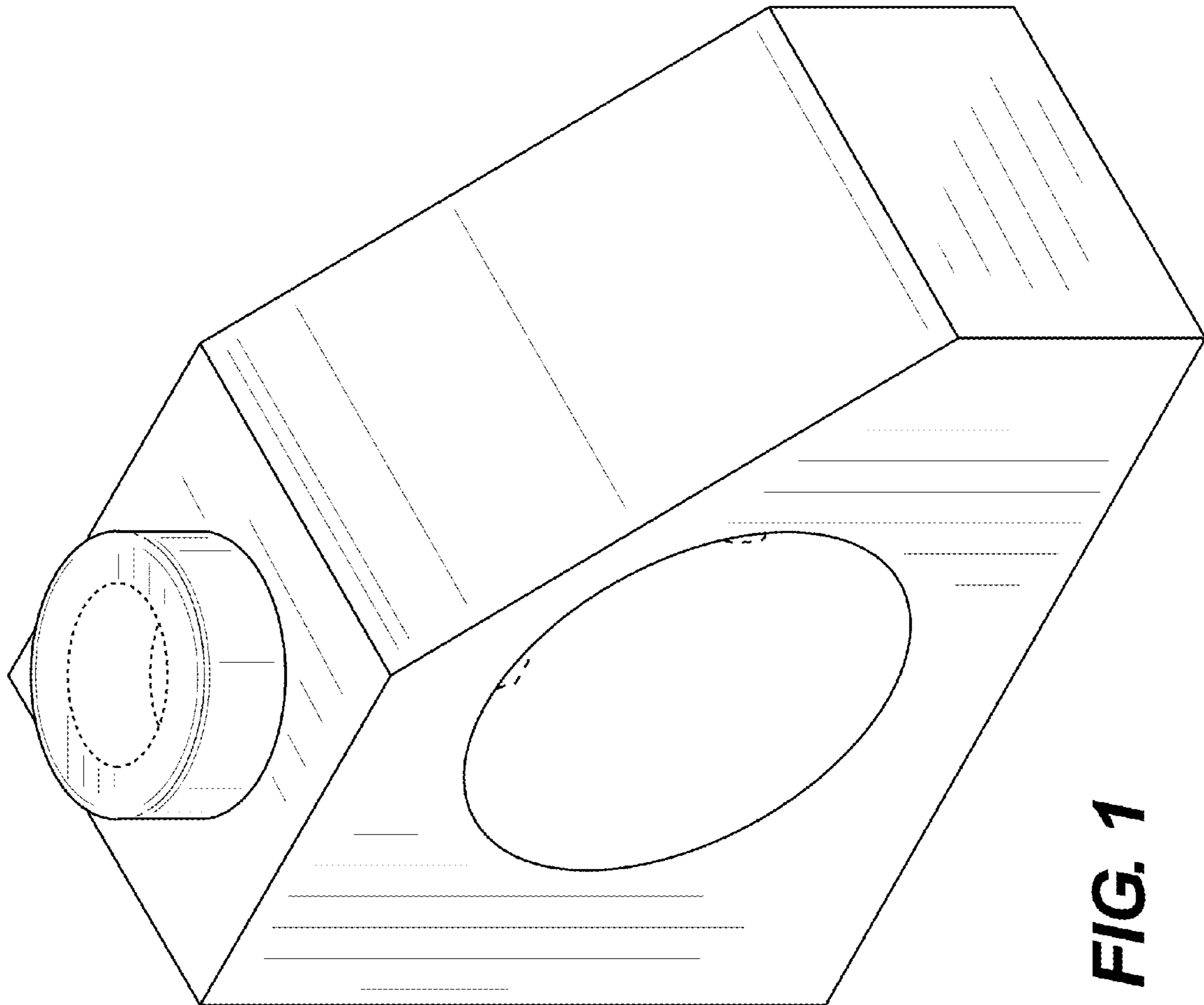
Excerpt of 2012 Mega Bloks Catalog, 22 pages.

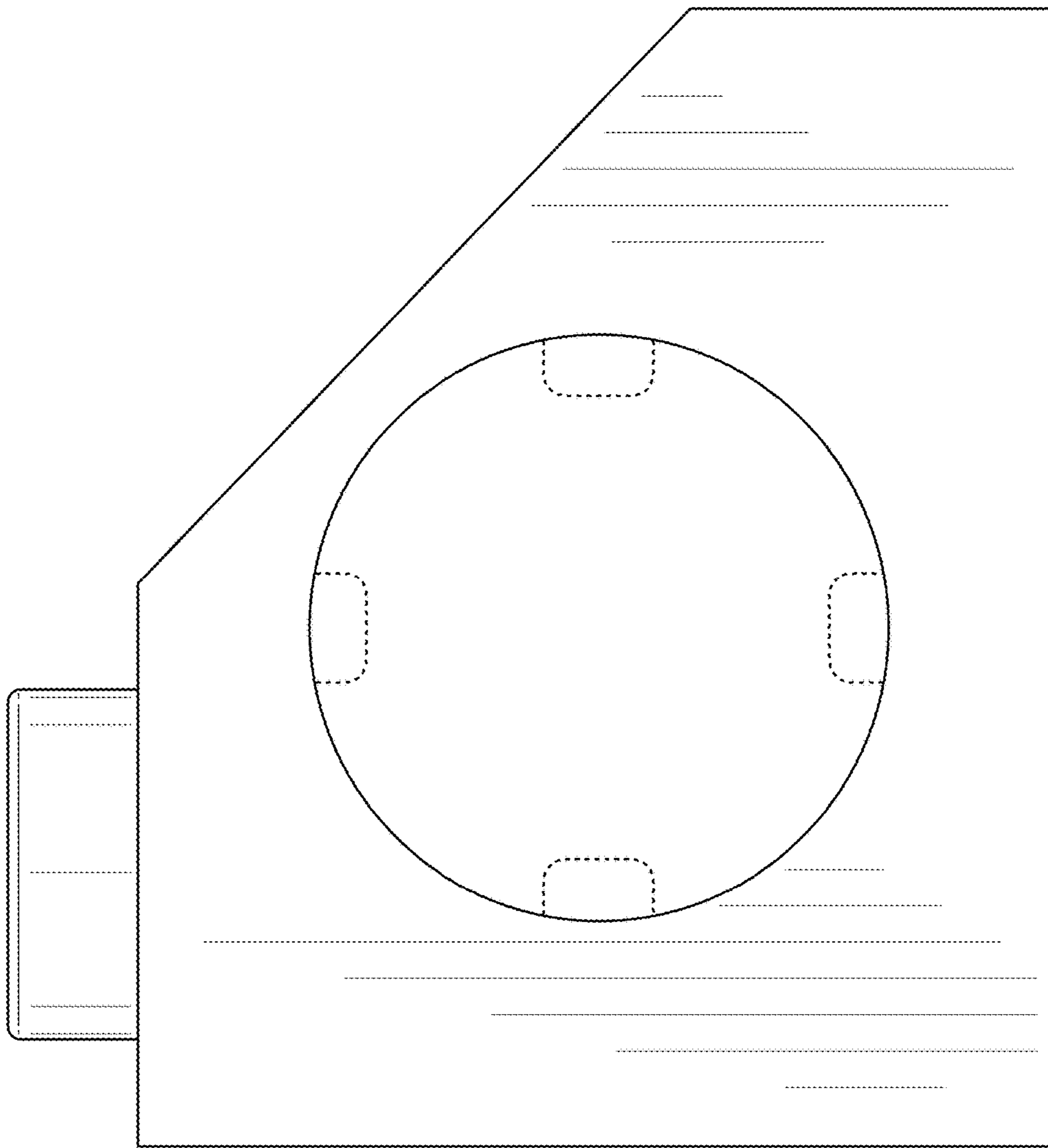
Excerpt of 2013 Mega Bloks Catalog, 3 pages.

Final Office Action mailed Jun. 22, 2016 in Design U.S. Appl. No. 29/515,647.

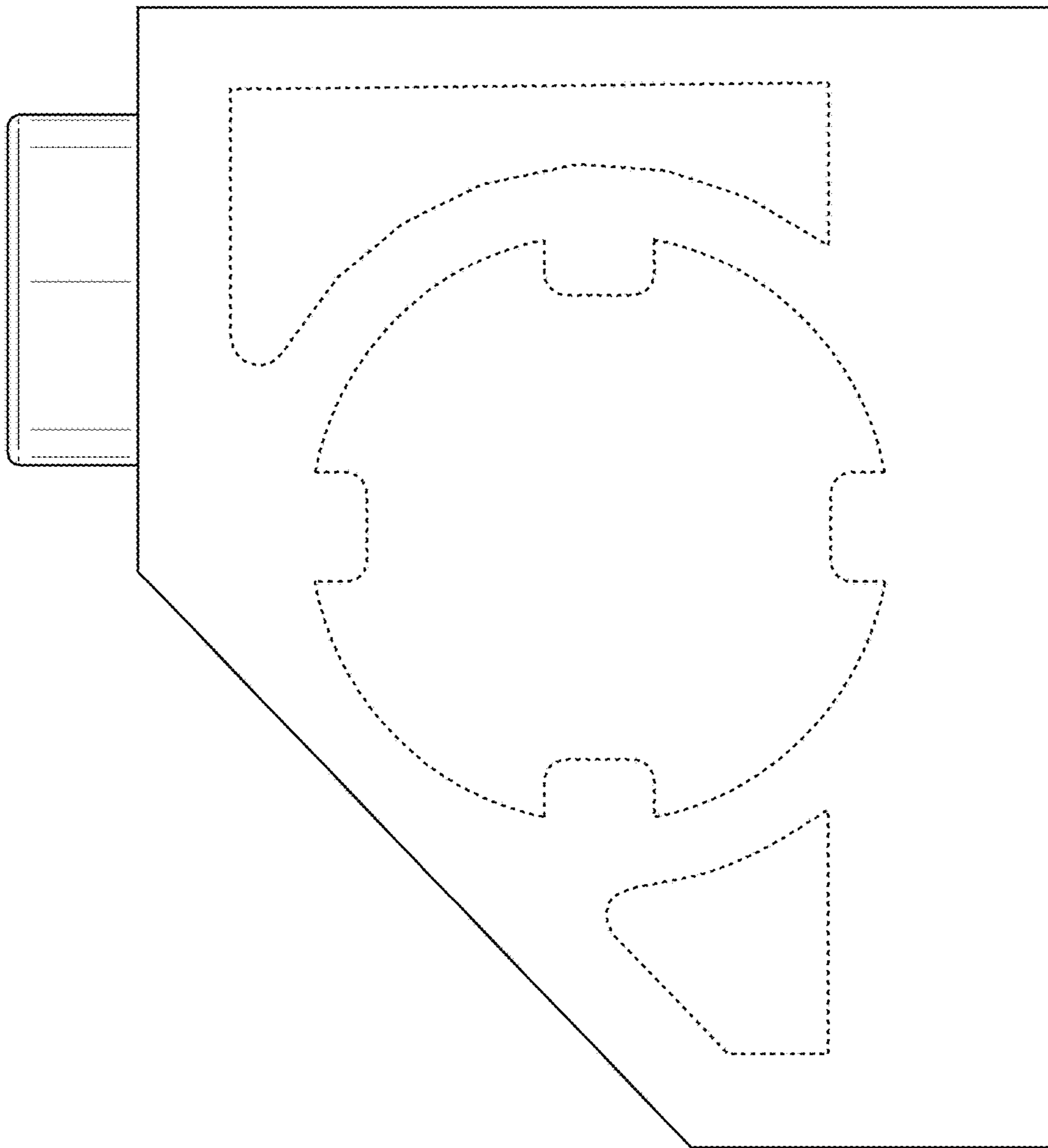
Amendment filed Mar. 21, 2016 in Design U.S. Appl. No. 29/515,647.

\* cited by examiner

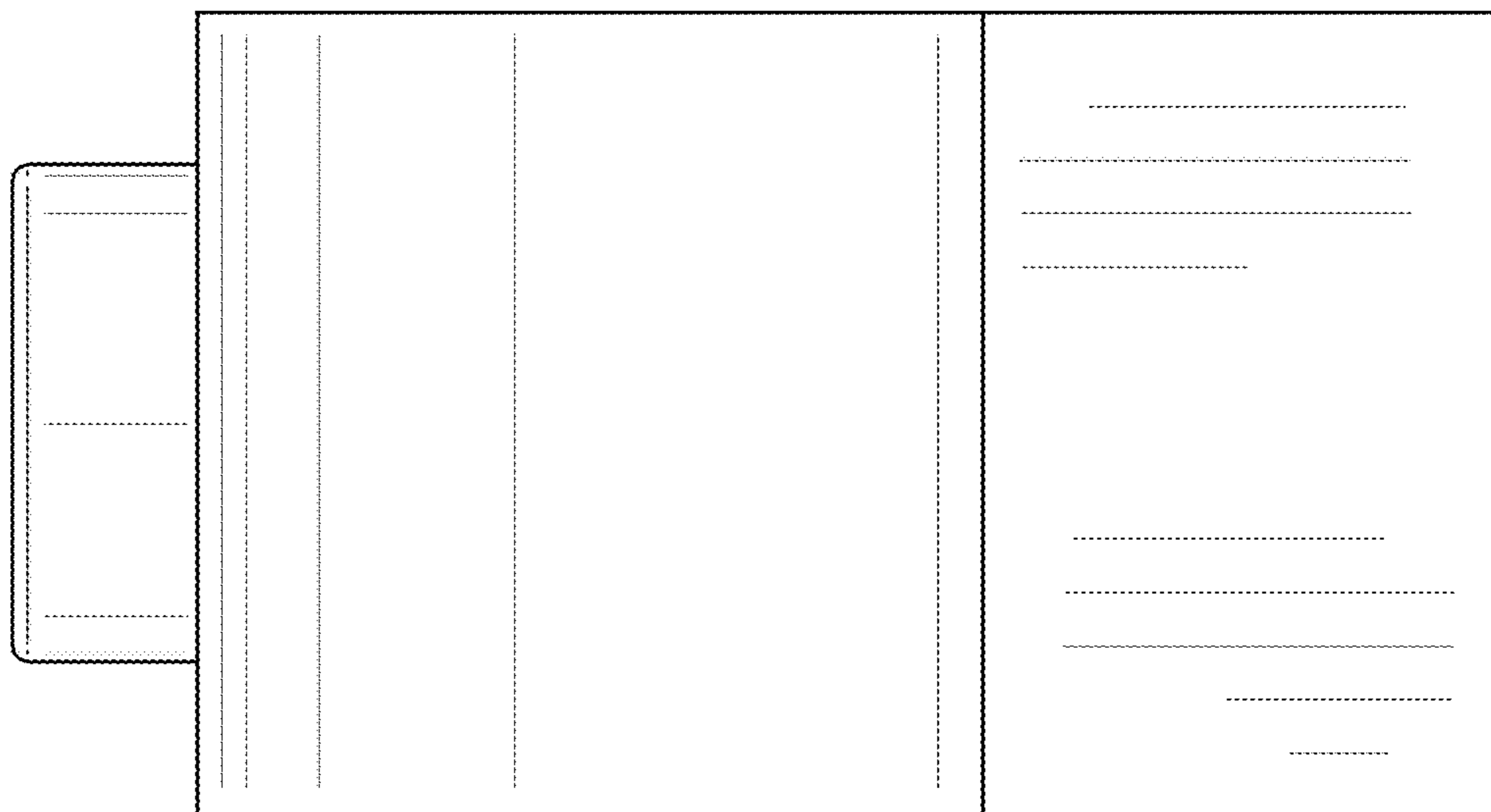




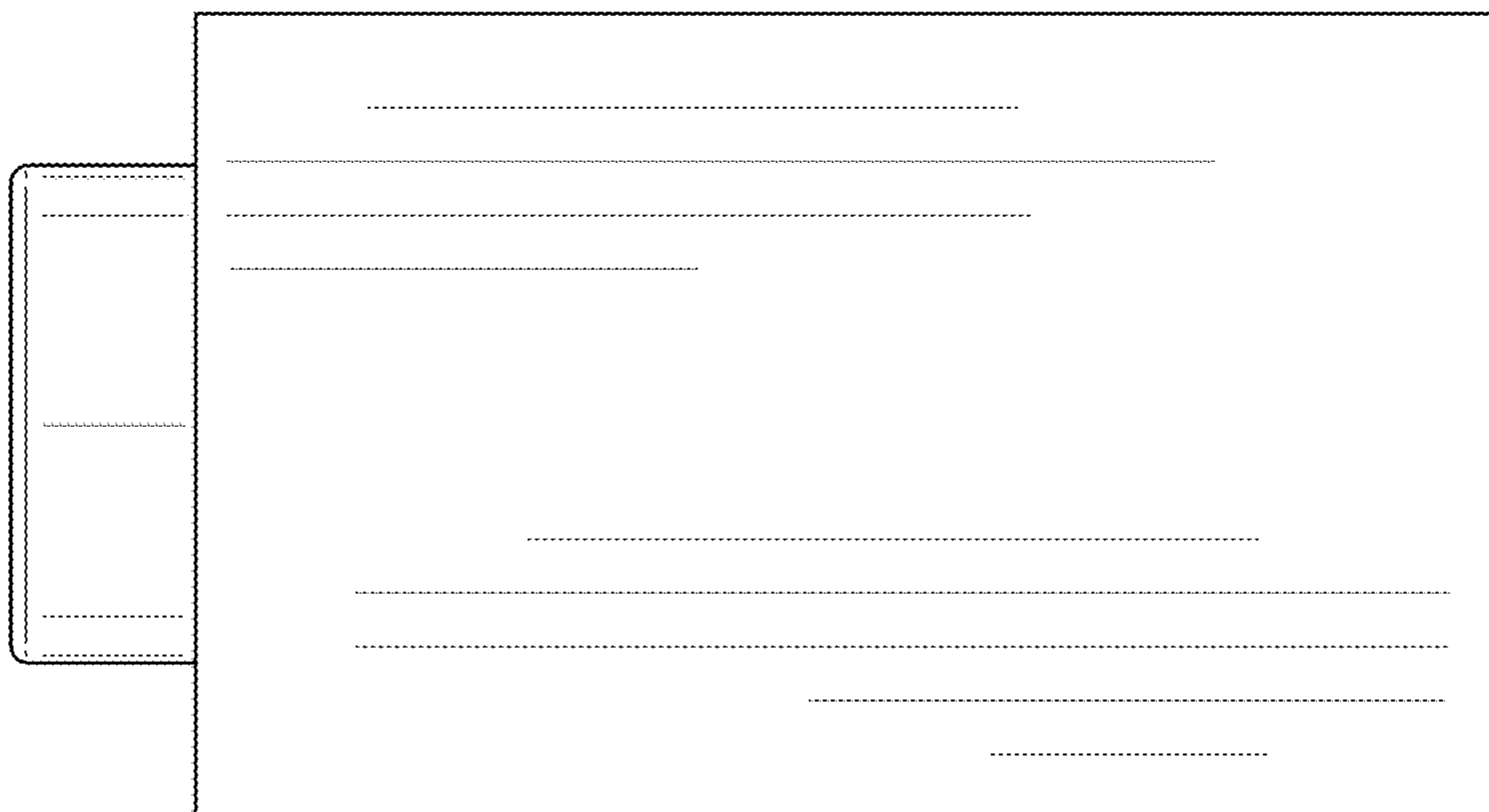
**FIG. 2**



**FIG. 3**

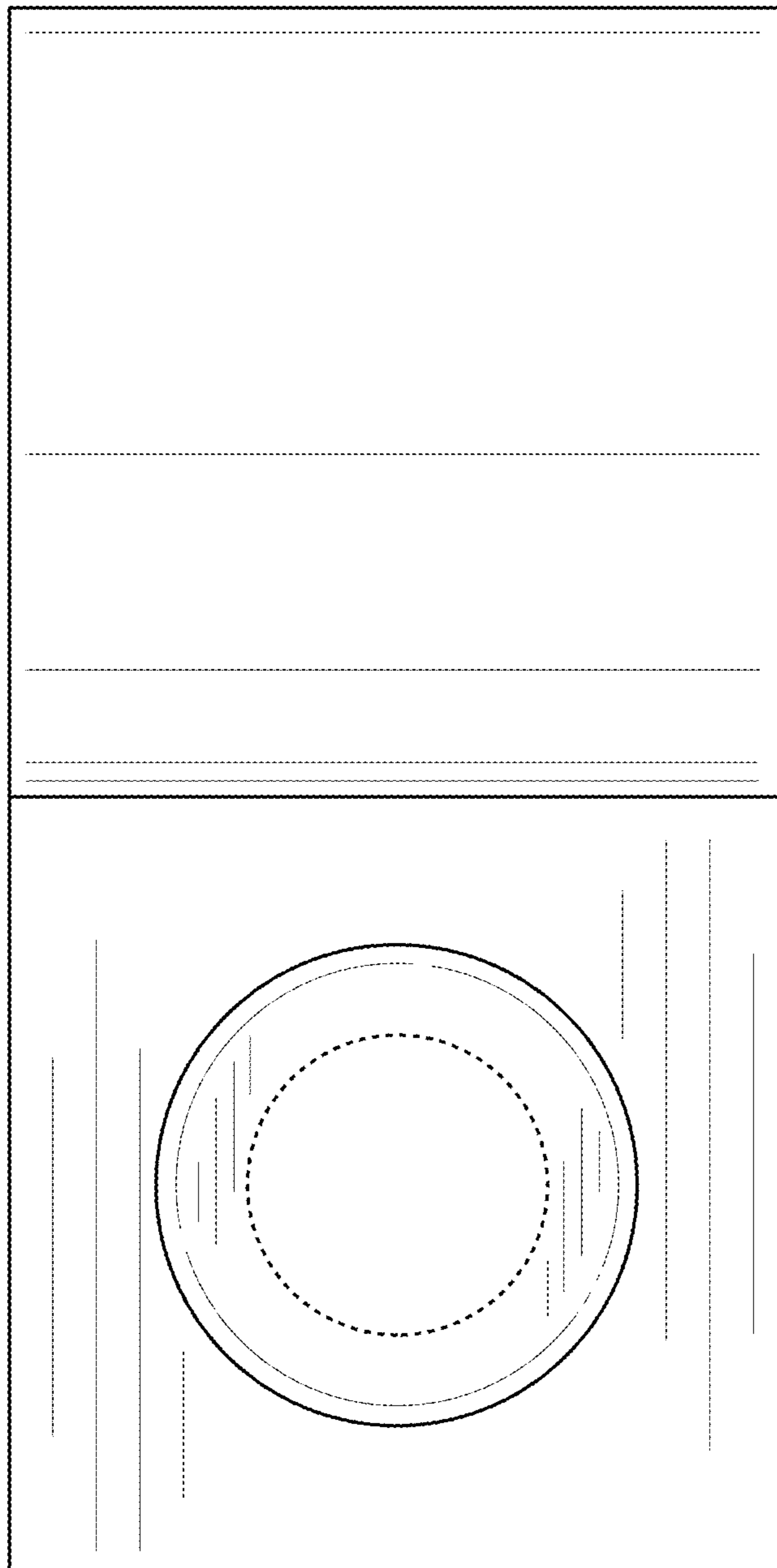


**FIG. 4**

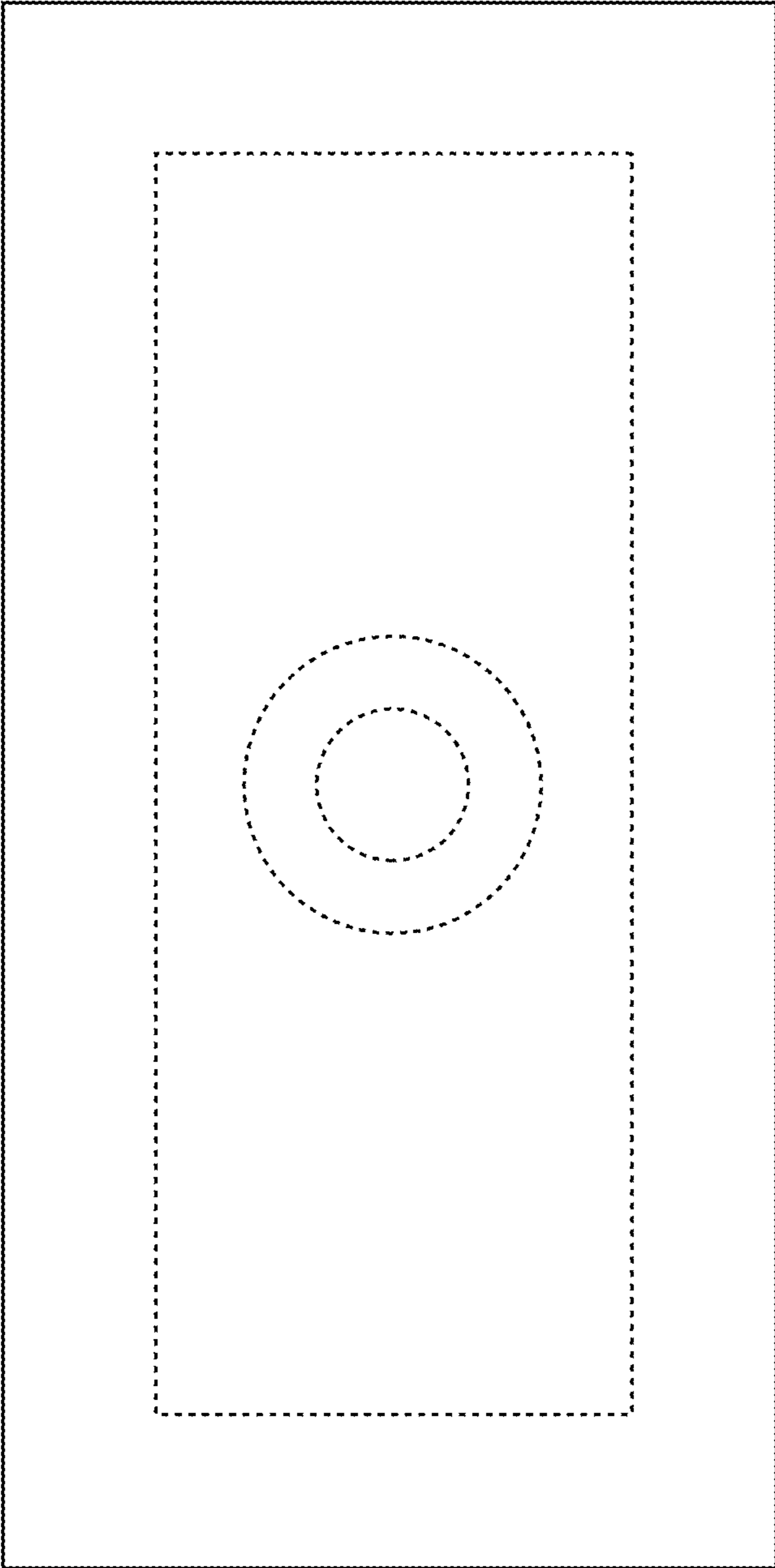


**FIG. 5**

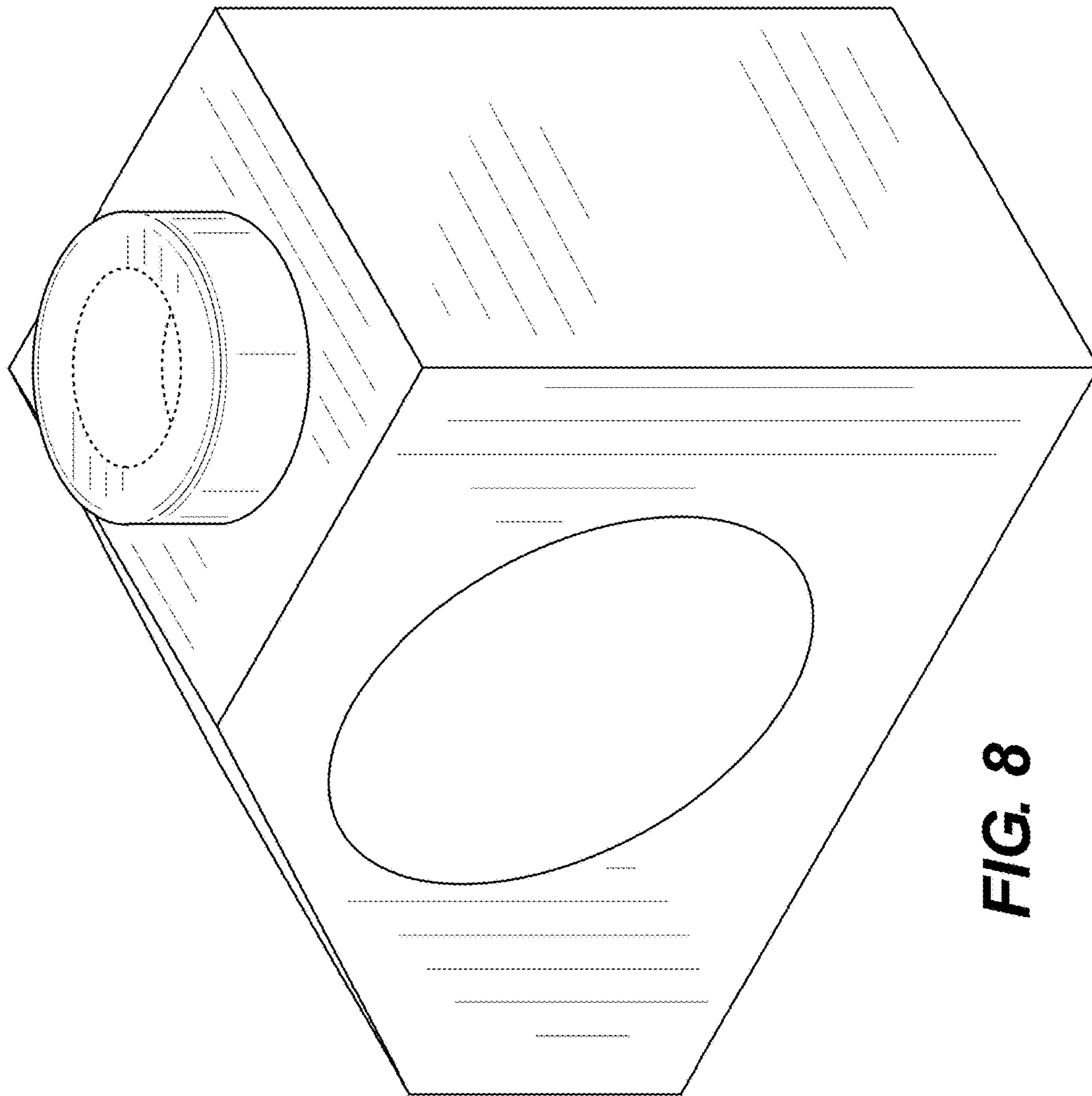




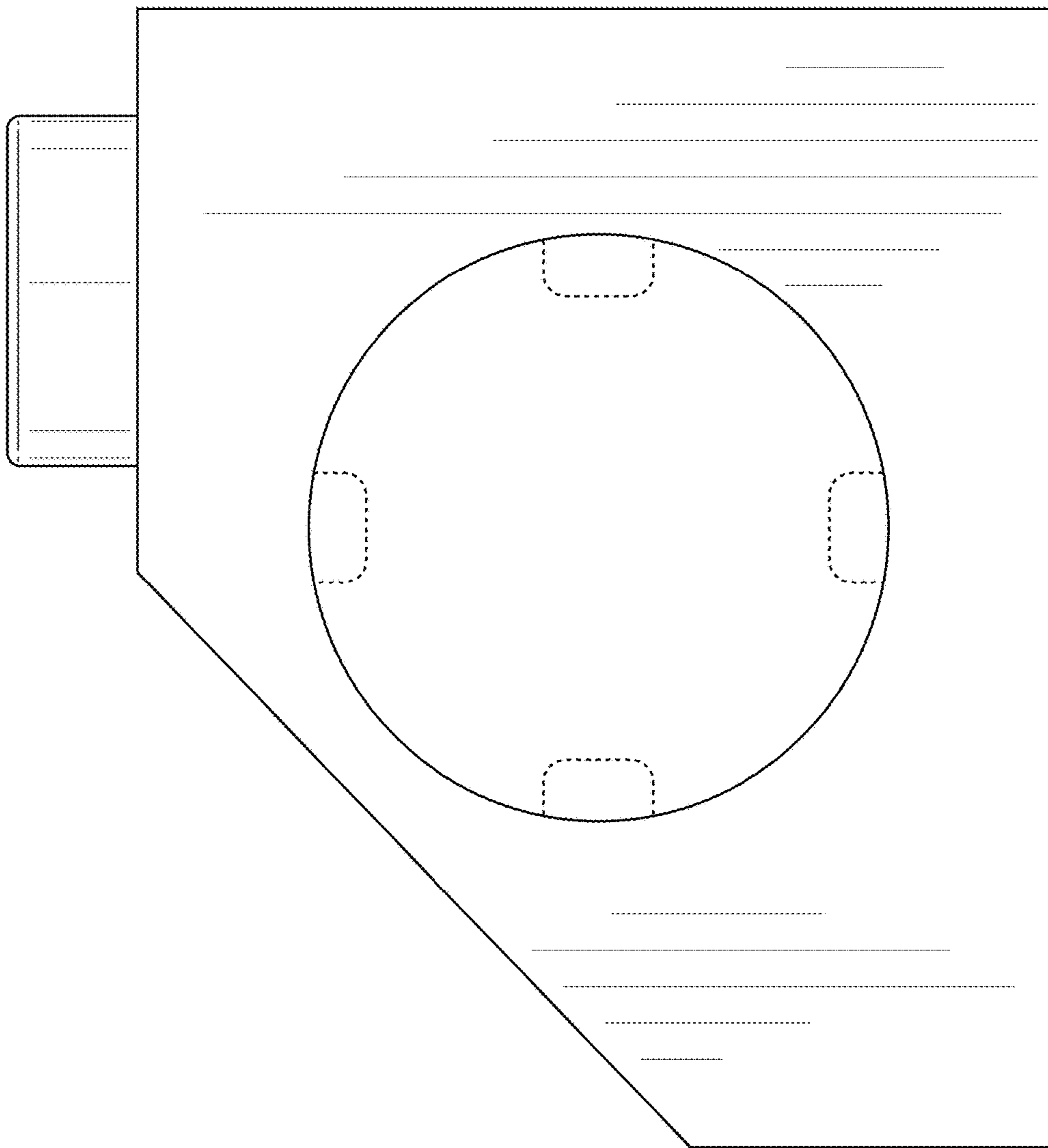
**FIG. 6**



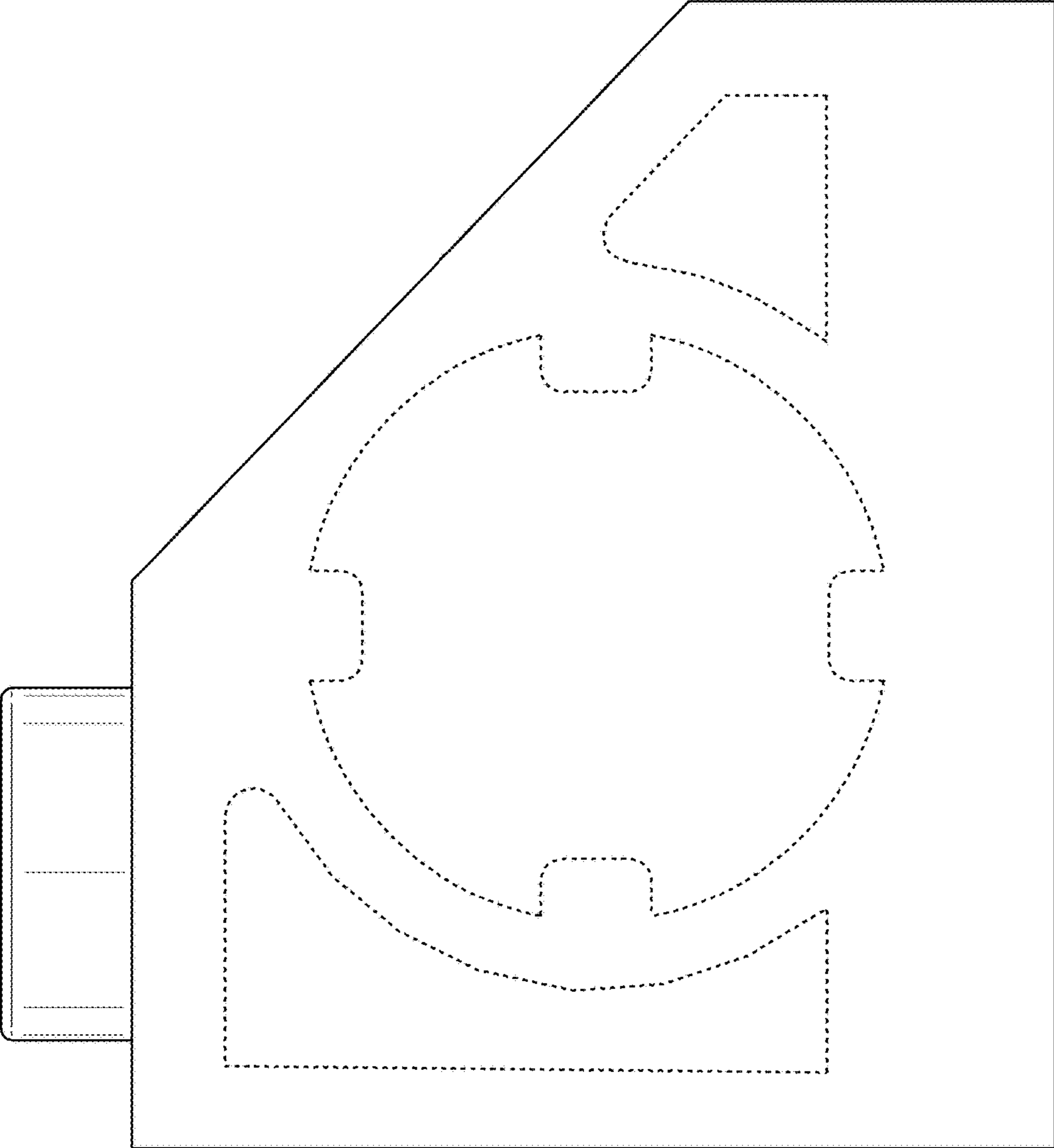
**FIG. 7**



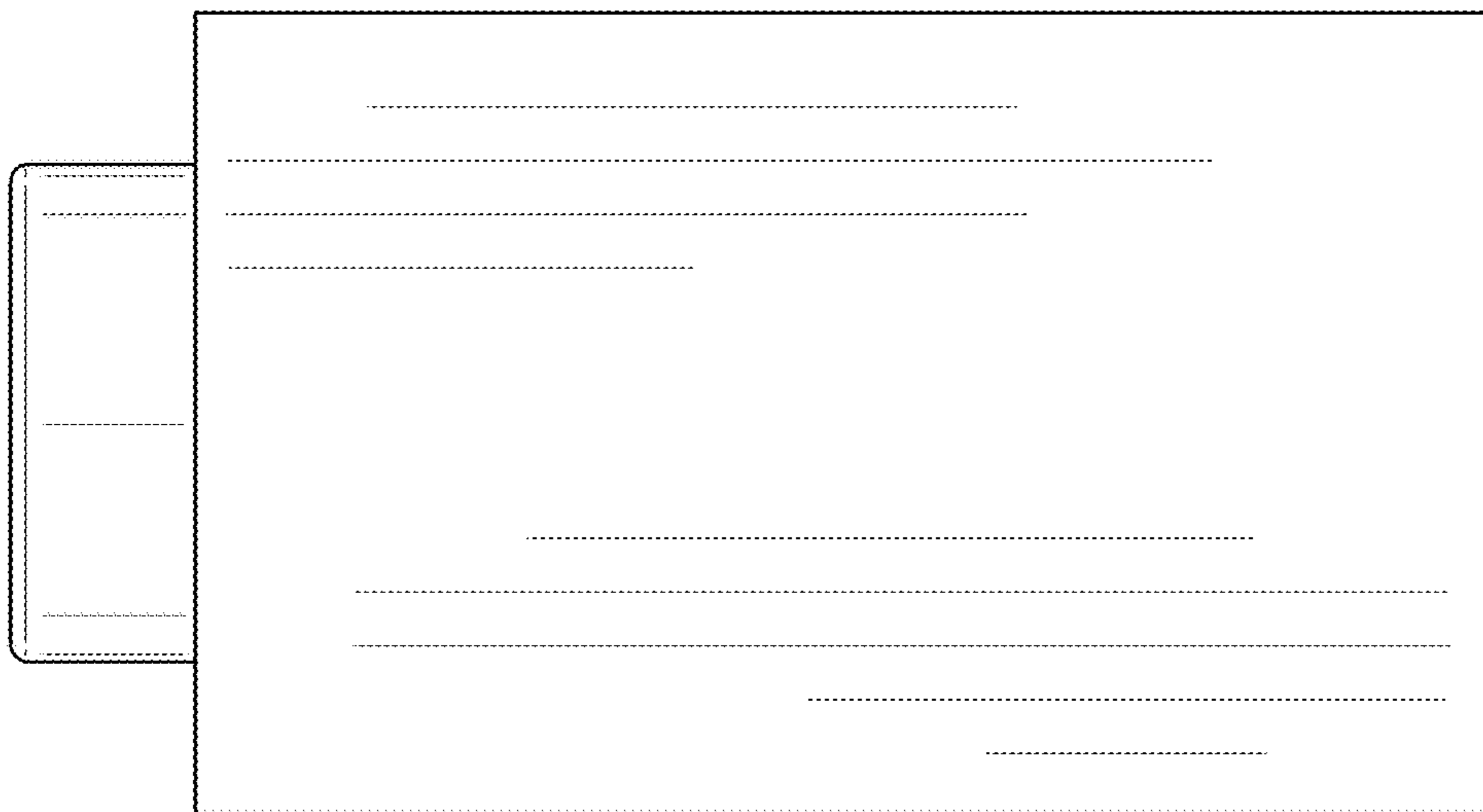
**FIG. 8**



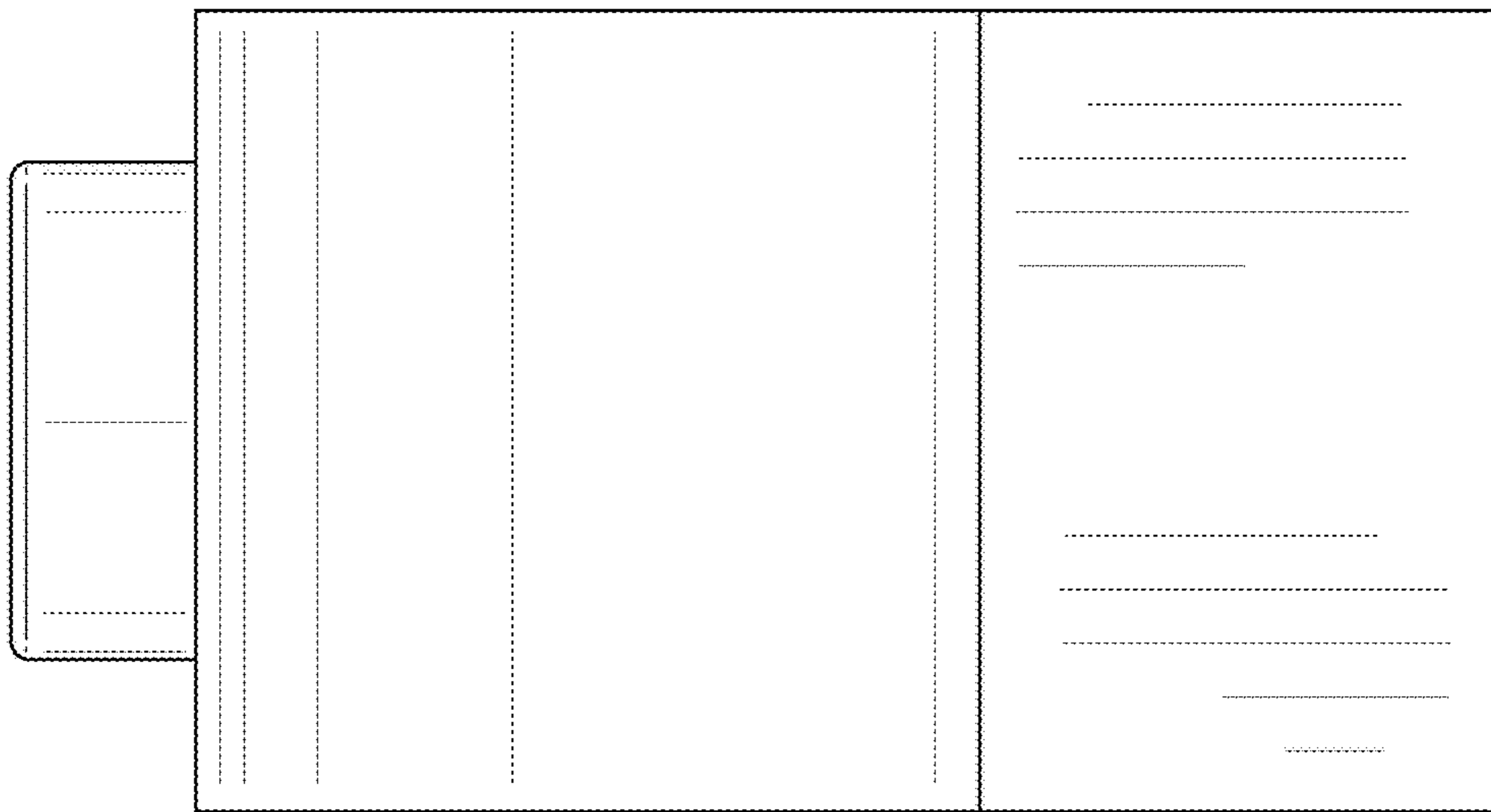
**FIG. 9**



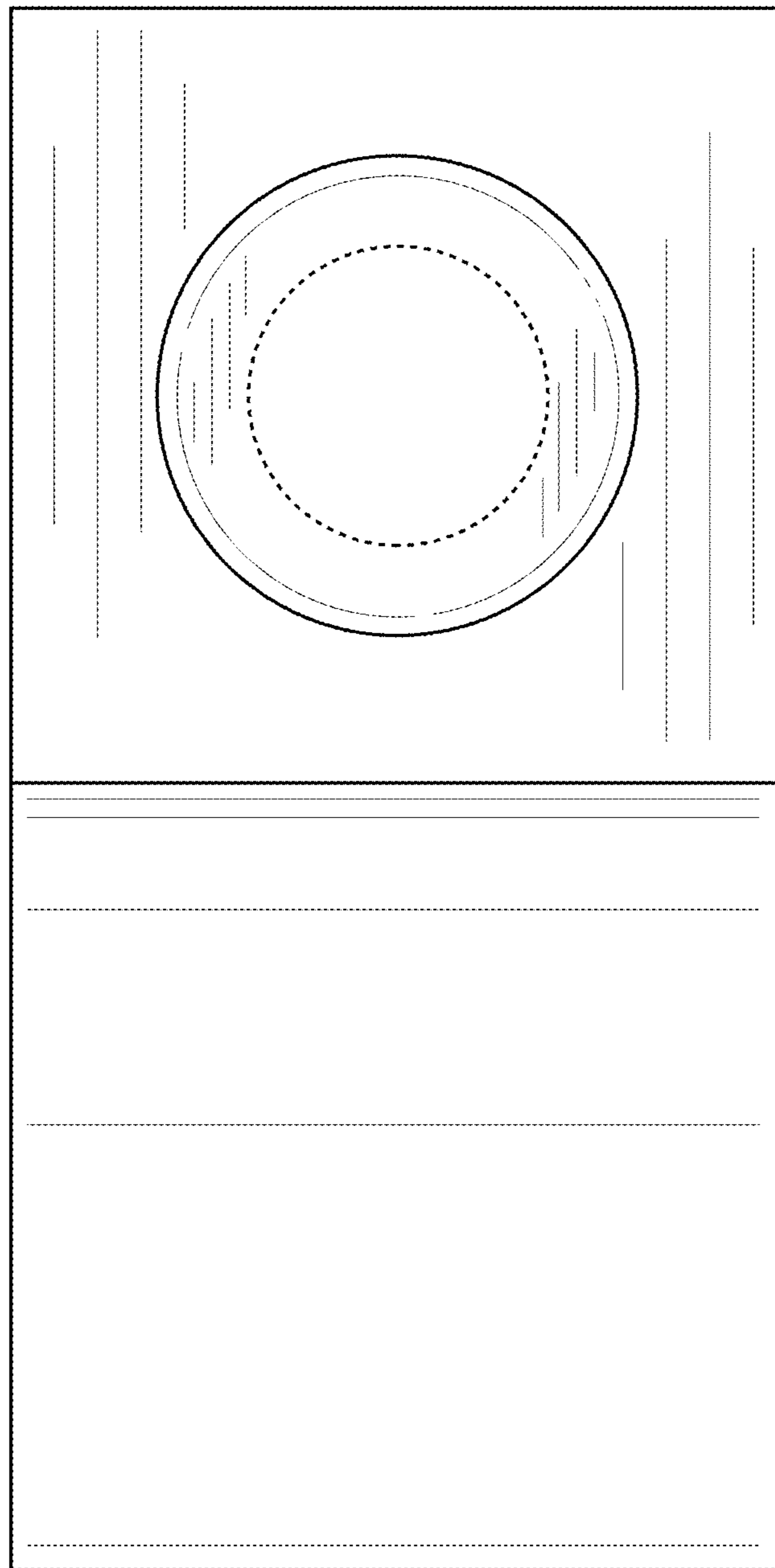
**FIG. 10**



**FIG. 11**

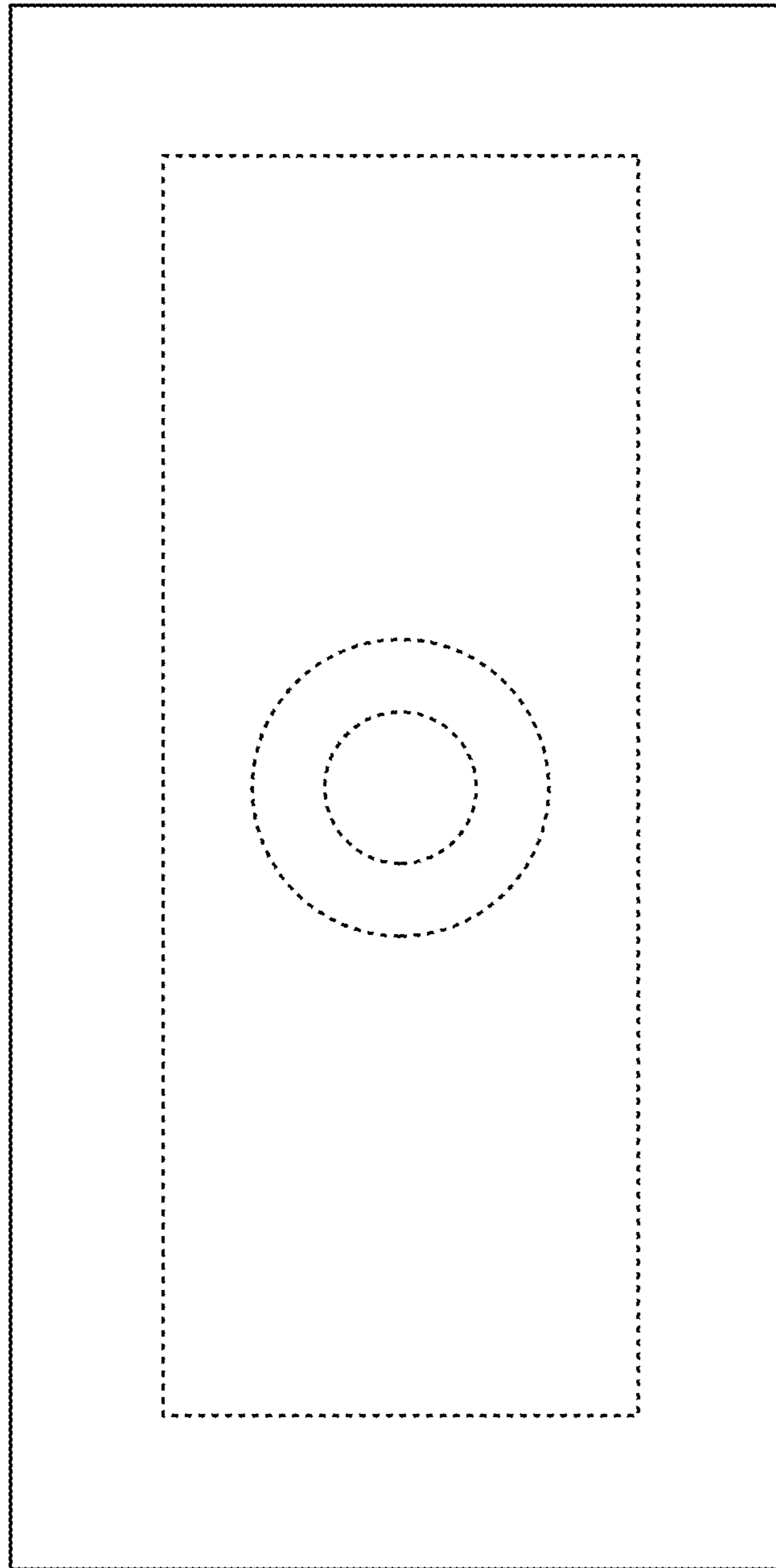


**FIG. 12**



**FIG. 13**





**FIG. 14**