



US00D786984S

(12) **United States Design Patent** (10) **Patent No.:** **US D786,984 S**
Pouliot et al. (45) **Date of Patent:** **** May 16, 2017**

(54) **CONSTRUCTION SET ELEMENT**
(71) Applicant: **MEGA Brands Inc.**, Montreal (CA)
(72) Inventors: **Maxime Pouliot**, Pierrefonds (CA);
David Pharand, Ste-Marthe (CA)
(73) Assignee: **MEGA Brands Inc.**, Montreal, Quebec (CA)

5,049,104 A 9/1991 Olsen
D328,929 S 8/1992 Jarnros
5,172,534 A * 12/1992 Milner E04B 2/12
446/104
D334,601 S 4/1993 Olsen
D344,769 S 3/1994 Poulsen
D364,198 S 11/1995 Bluff
D364,658 S 11/1995 Brømsø
(Continued)

(**) Term: **15 Years**

(21) Appl. No.: **29/542,552**

(22) Filed: **Oct. 15, 2015**

(51) **LOC (10) Cl.** **21-01**

(52) **U.S. Cl.**
USPC **D21/492**

(58) **Field of Classification Search**
USPC D21/386, 389, 404, 468, 470, 471,
D21/484-505; 446/69, 85, 102-128;
434/208, 259, 403; 273/153, 156, 160
CPC A63H 33/00; A63H 33/04; A63H 33/042;
A63H 33/06; A63H 33/062; A63H
33/067; A63H 33/08; A63H 33/082;
A63H 33/084; A63H 33/086; A63H
33/088; A63H 33/10; A63H 33/101;
A63H 33/105; A63H 33/106; A63H
33/108; A63H 33/12; A63H 3/00; A63H
3/16; A63H 3/46; E04C 1/00; E04C 1/40;
E04B 2/14; E04B 2/16; E04B 2/18
See application file for complete search history.

(56) **References Cited**

U.S. PATENT DOCUMENTS

3,651,597 A * 3/1972 Daenen A63H 33/086
446/124
3,946,515 A * 3/1976 Fischer A63H 33/042
198/712
4,673,308 A * 6/1987 Reilly A47F 5/14
403/172
D317,474 S 6/1991 Olsen
D317,475 S 6/1991 Olsen

OTHER PUBLICATIONS

“Brick 1 × 2 with Handle.” Lego Part 30236, first produced 1999 according to: <URL: <http://www.peeron.com/inv/parts/30236>>.
(Continued)

Primary Examiner — Cynthia M Chin
(74) *Attorney, Agent, or Firm* — Plumsea Law Group, LLC

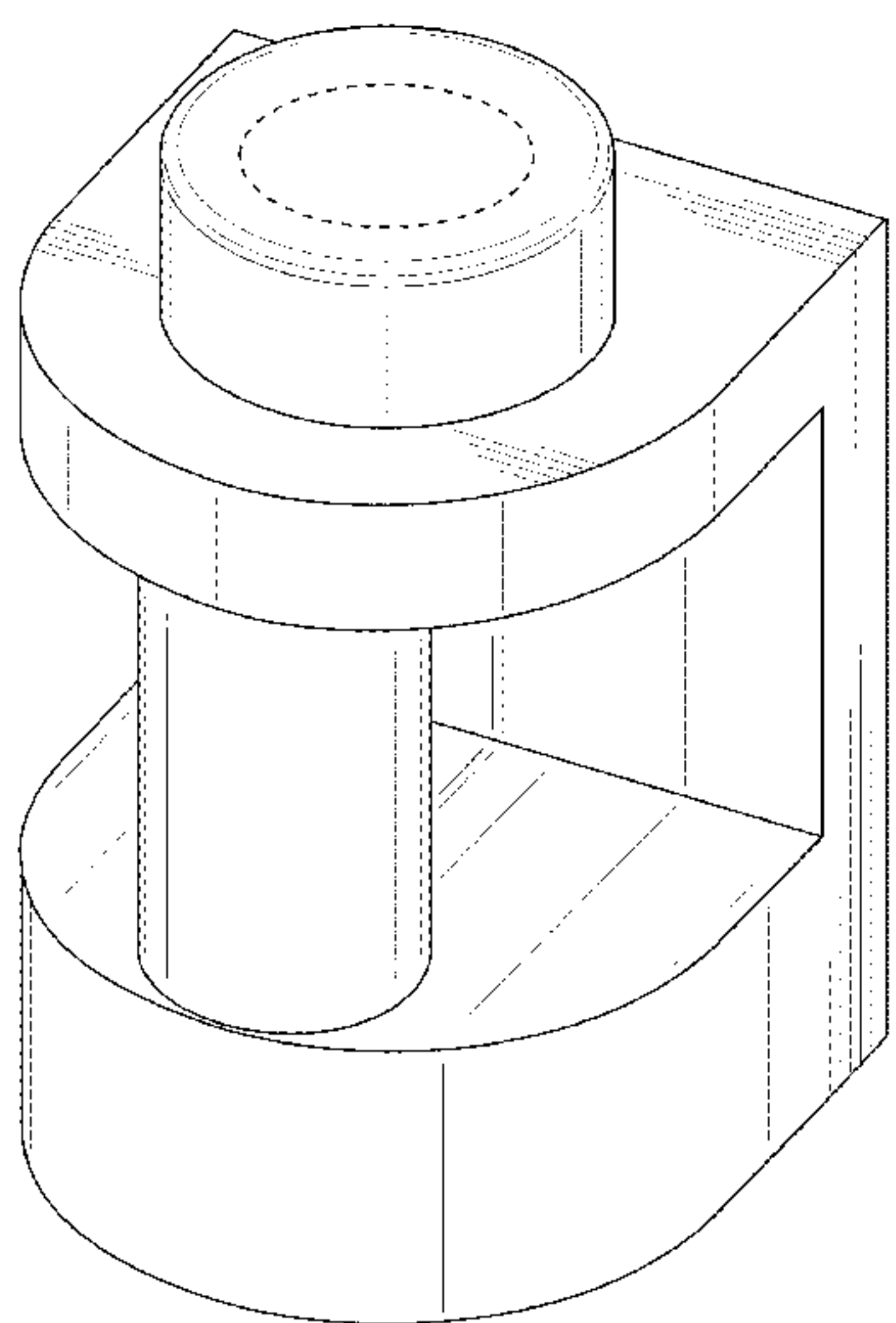
(57) **CLAIM**

The ornamental design for a construction set element, as shown and described.

DESCRIPTION

FIG. 1 is a top isometric perspective view of a construction set element showing the new design;
FIG. 2 is a front elevational view of the construction set element of FIG. 1;
FIG. 3 is a rear elevational view of the construction set element of FIG. 1;
FIG. 4 is a right side elevational view of the construction set element of FIG. 1;
FIG. 5 is a left side elevational view of the construction set element of FIG. 1;
FIG. 6 is a top plan view of the construction set element of FIG. 1; and,
FIG. 7 is a bottom plan view of the construction set element of FIG. 1.
The broken lines and unshaded areas form no part of the claimed design.

1 Claim, 7 Drawing Sheets



(56)

References Cited

U.S. PATENT DOCUMENTS

5,645,463 A 7/1997 Olsen
D410,505 S 6/1999 Toft
7,677,010 B2* 3/2010 Boots A47B 47/021
403/169
2005/0075035 A1 4/2005 Hatting et al.
2008/0228450 A1 9/2008 Jakobsen et al.

OTHER PUBLICATIONS

“Plate 1 × 2 with Handle Type 2.” Lego Part 48336, first produced 2004 according to: <URL: <http://www.peeron.com/inv/parts/48336>>.

“Technic Brick 1 × 2 with Hole and Liftarms,” Lego Part 85943, first produced 2009 according to: <URL: <http://www.peeron.com/inv/parts/85943>>.

Mega Brands Inc. 1×1×1 Round with Handle, part No. 76776, shown between Jan. 27, 2015 and Jan. 30, 2015.

* cited by examiner

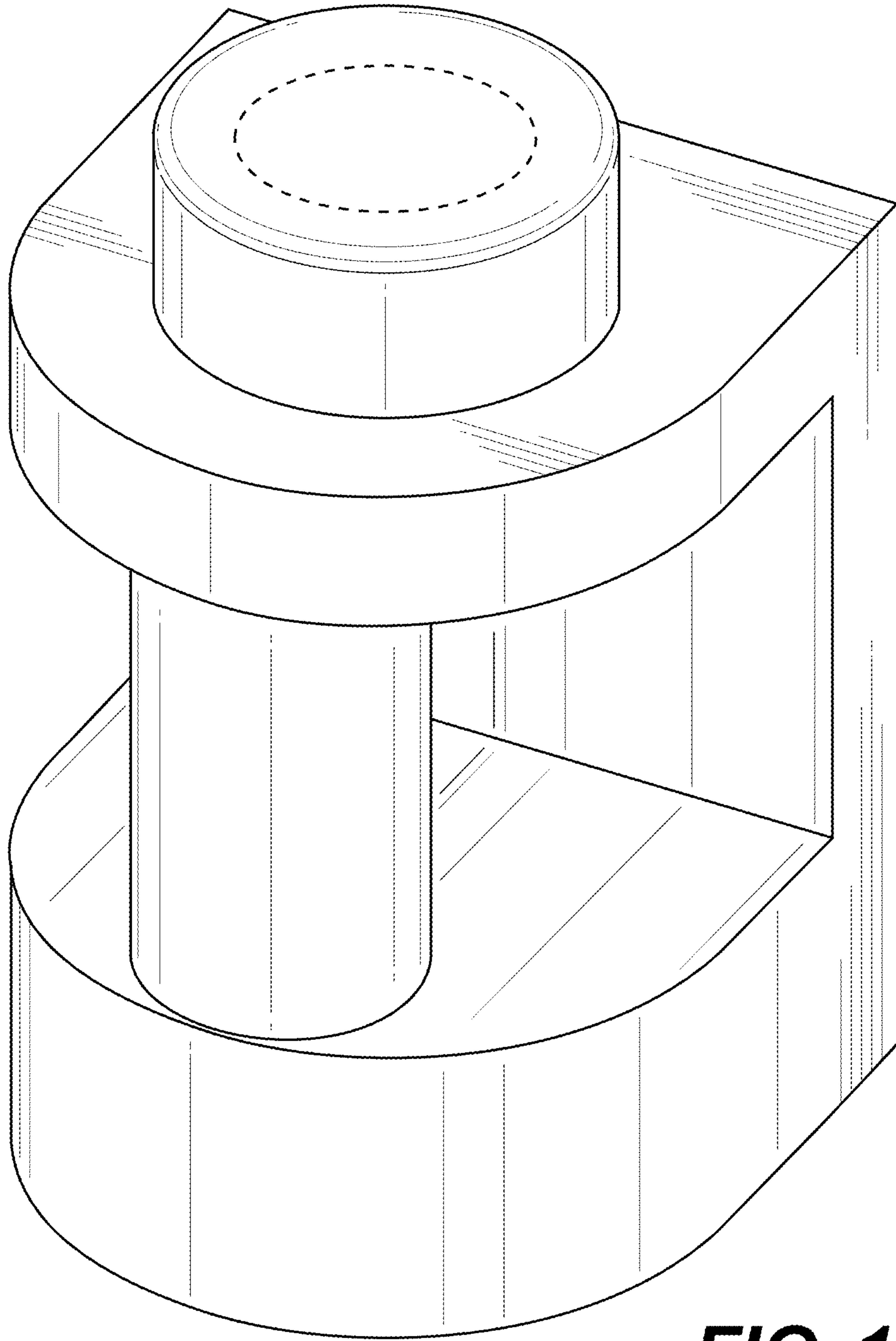


FIG. 1

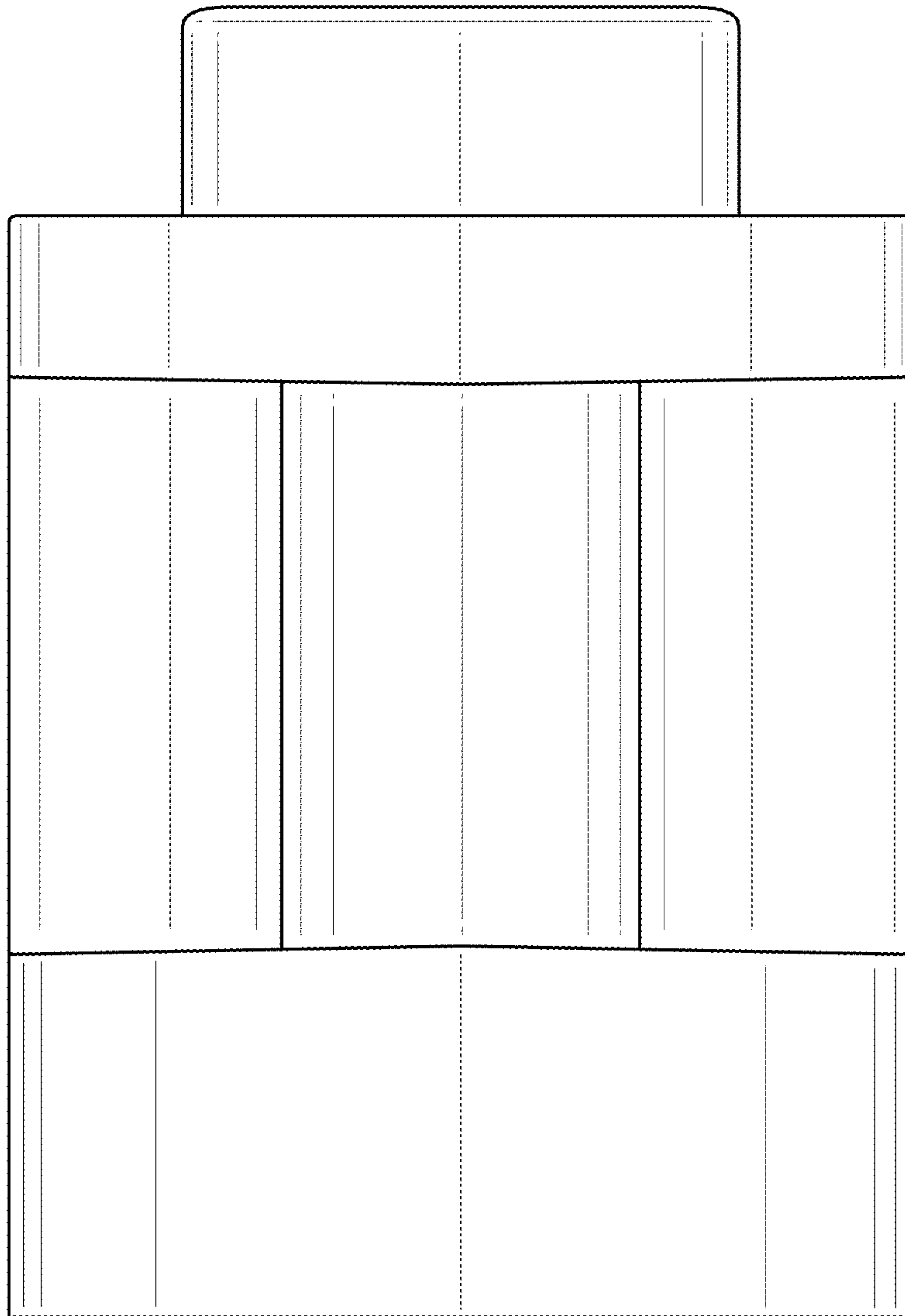


FIG. 2

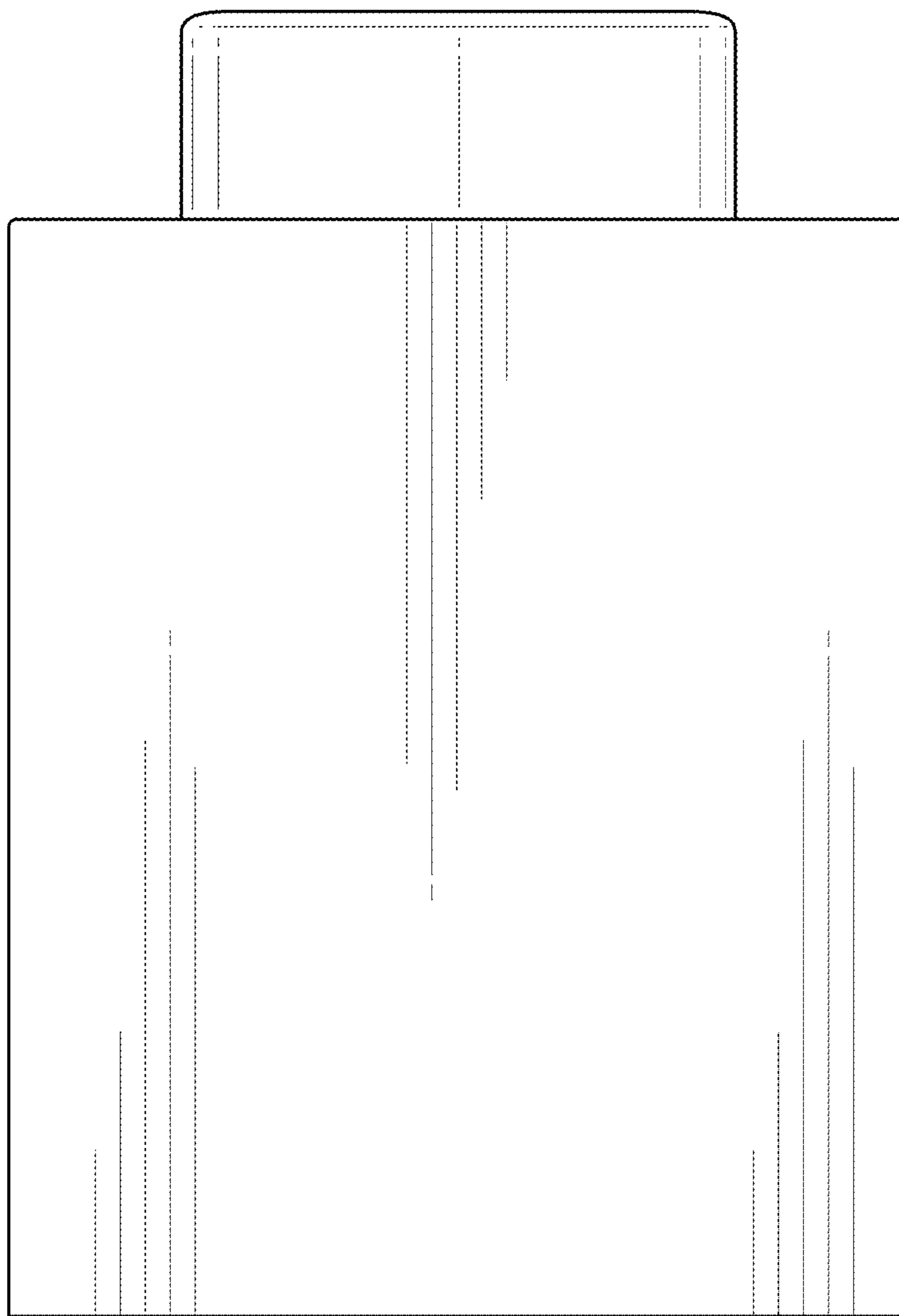


FIG. 3

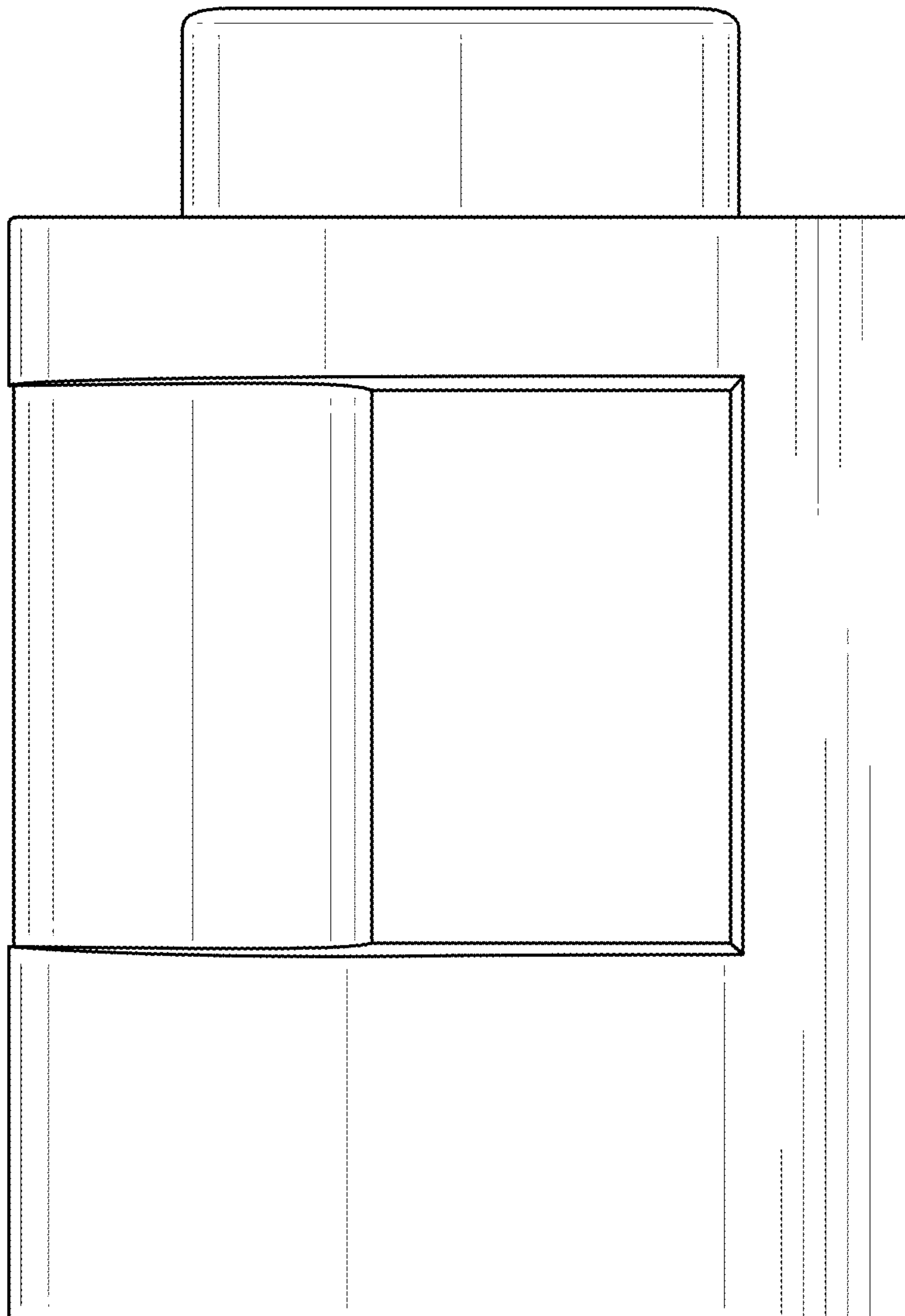


FIG. 4

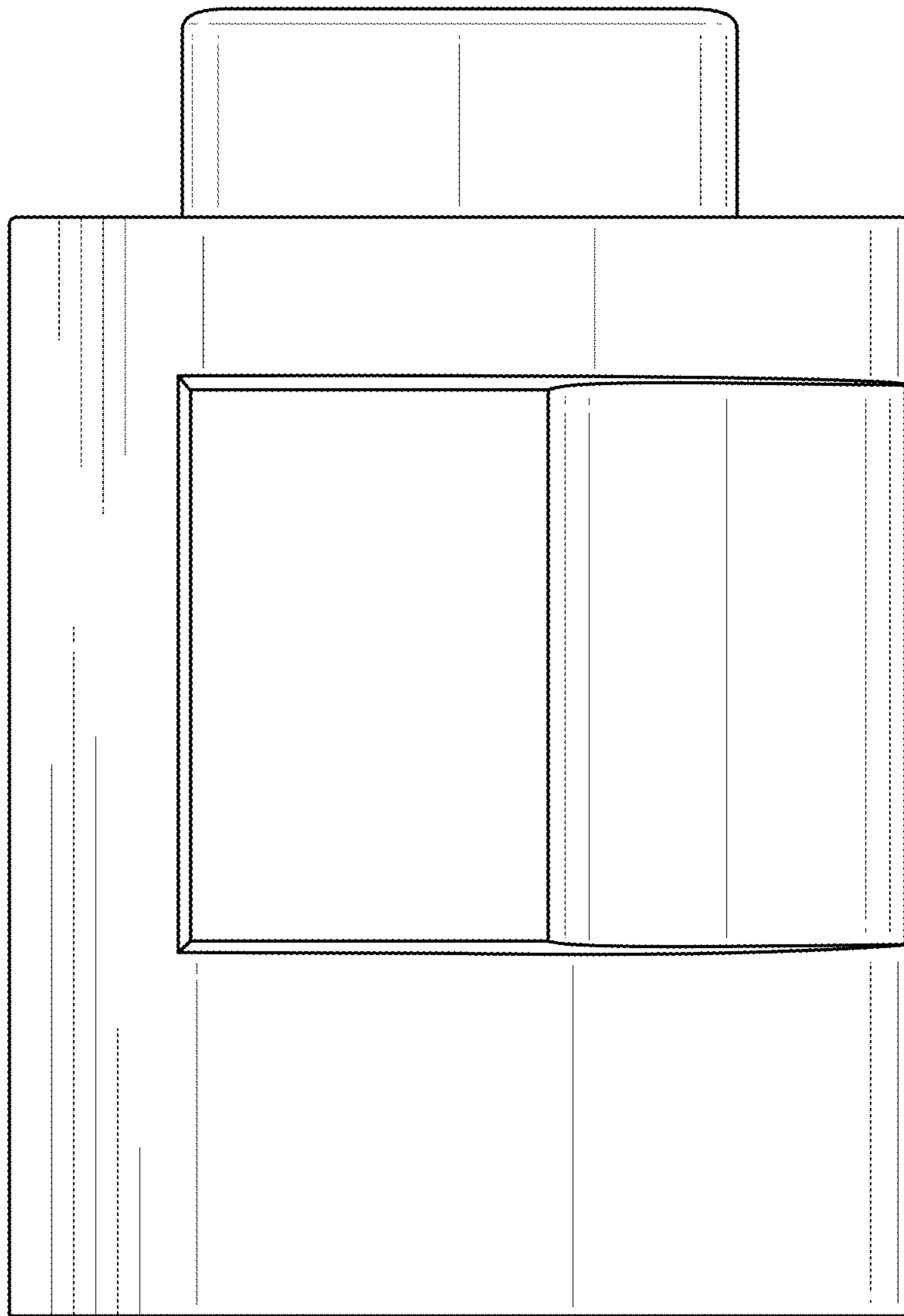


FIG. 5

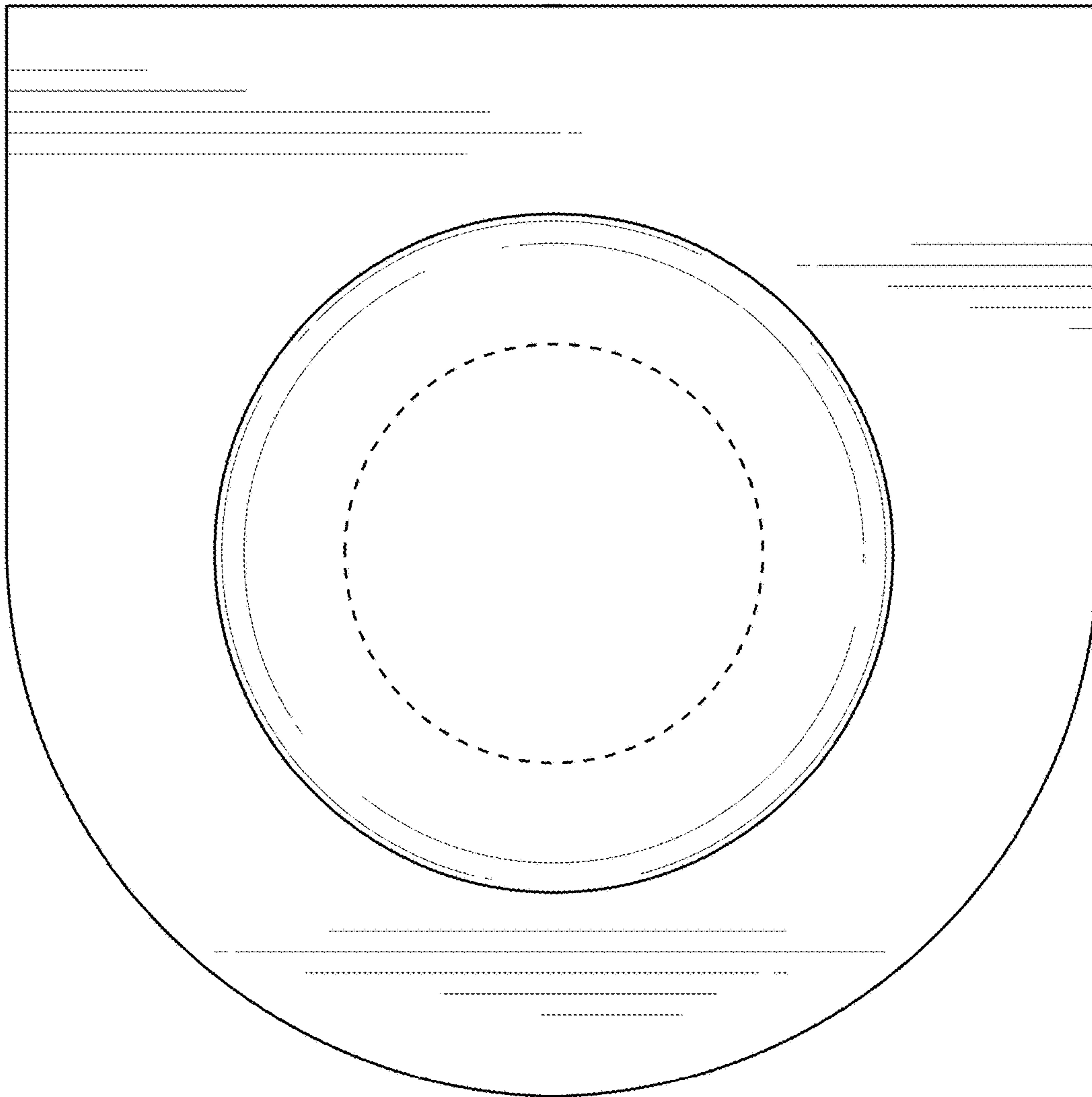


FIG. 6

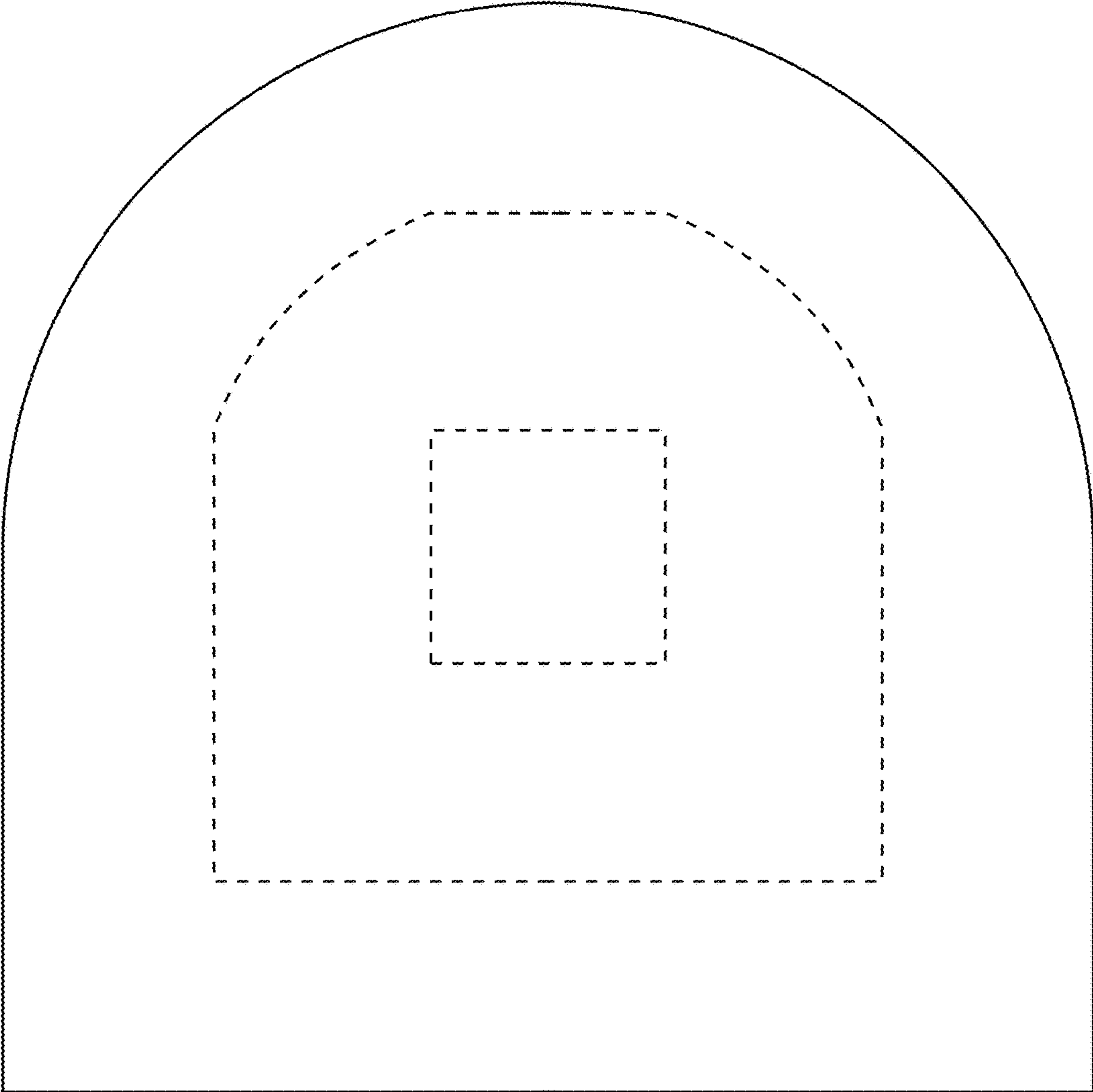


FIG. 7