



US00D786982S

(12) **United States Design Patent**
Kim

(10) **Patent No.:** **US D786,982 S**

(45) **Date of Patent:** **** May 16, 2017**

(54) **GAME BOARD COMPONENT**

(71) Applicant: **Yong Chul Kim**, Seoul (KR)

(72) Inventor: **Yong Chul Kim**, Seoul (KR)

(**) Term: **14 Years**

(21) Appl. No.: **29/494,552**

(22) Filed: **Jun. 21, 2014**

(30) **Foreign Application Priority Data**

Feb. 17, 2014 (KR) 30-2014-0008033

(51) **LOC (10) Cl.** **21-01**

(52) **U.S. Cl.**

USPC **D21/338**; D21/365

(58) **Field of Classification Search**

USPC D21/334, 335-342, 355-359, 365, 318,
D21/397; 273/242, 244-247, 259, 277,
273/287, 317.3, 108.1, 108.5, 118 D,
273/236-240, 283, 309, 441, 461;
D6/406.1, 406.3, 406.4, 406.6; D19/86,
D19/92, 95, 87, 113, 75, 77, 78, 80;
108/14, 62, 43, 67; 434/416, 247, 248,
434/251, 408, 413, 145, 430

CPC A63F 3/00; A63F 3/00003; A63F 3/00028;
A63F 3/00041; A63F 3/00044; A63F
3/00047; A63F 3/00173; A63F 3/00176;
A63F 3/00214; A63F 3/00261; A63F
3/00643; A63F 3/00646-3/00659; A63F
3/04; A63F 2003/00182; A63F
2003/00223; A63F 2003/00457; A63F
2003/0046; A63F 2003/00463; A63F
2003/00466; A63F 2003/0047; A63F
2003/00485; A63F 2003/00492; A63F
2003/00507; A63F 2003/00514; A63F
2003/00533; A63F 2003/00552; A63F
2003/00558; A63F 2003/00943; A63F
2003/00946; A63F
2003/00952-2003/00962; A63F
2003/00974; A63F 7/00; A63F 7/06;

A63F 7/0612; A63F 7/0604; A63F
7/0616-7/0636; A63F 7/30; A63F 7/36;
A63F 7/0005; A63F 7/0017; A63F
7/0023; A63F 2007/0035; A63F
2007/367; A63F 2007/3674

See application file for complete search history.

(56) **References Cited**

U.S. PATENT DOCUMENTS

174,958 A * 3/1876 Homrighausen A63F 3/0023
273/285
486,471 A * 11/1892 Hunsberger A63F 3/02
273/260
1,420,334 A * 6/1922 Neuner A63F 3/0023
273/285

(Continued)

Primary Examiner — Susan Moon Lee

(57) **CLAIM**

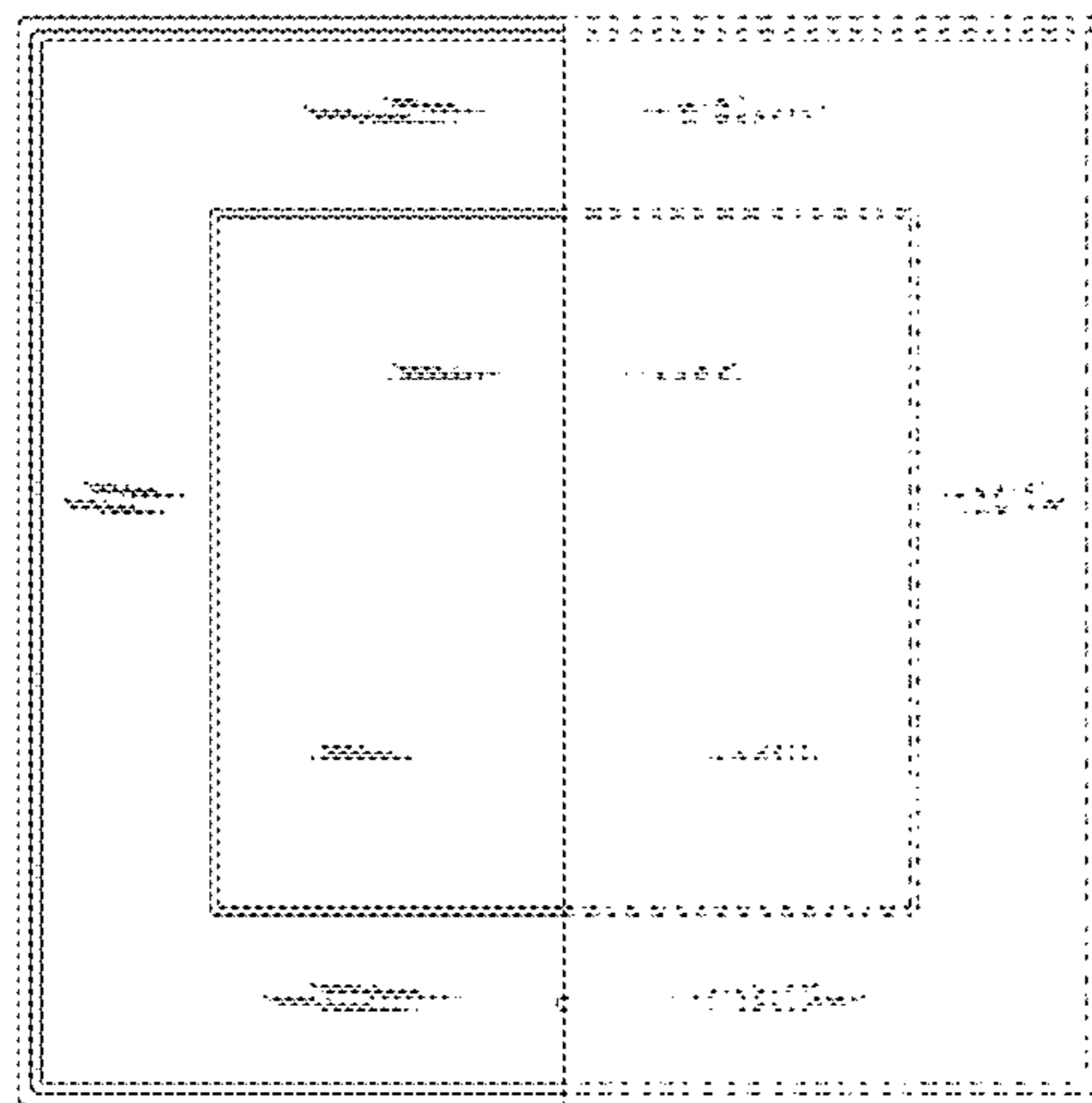
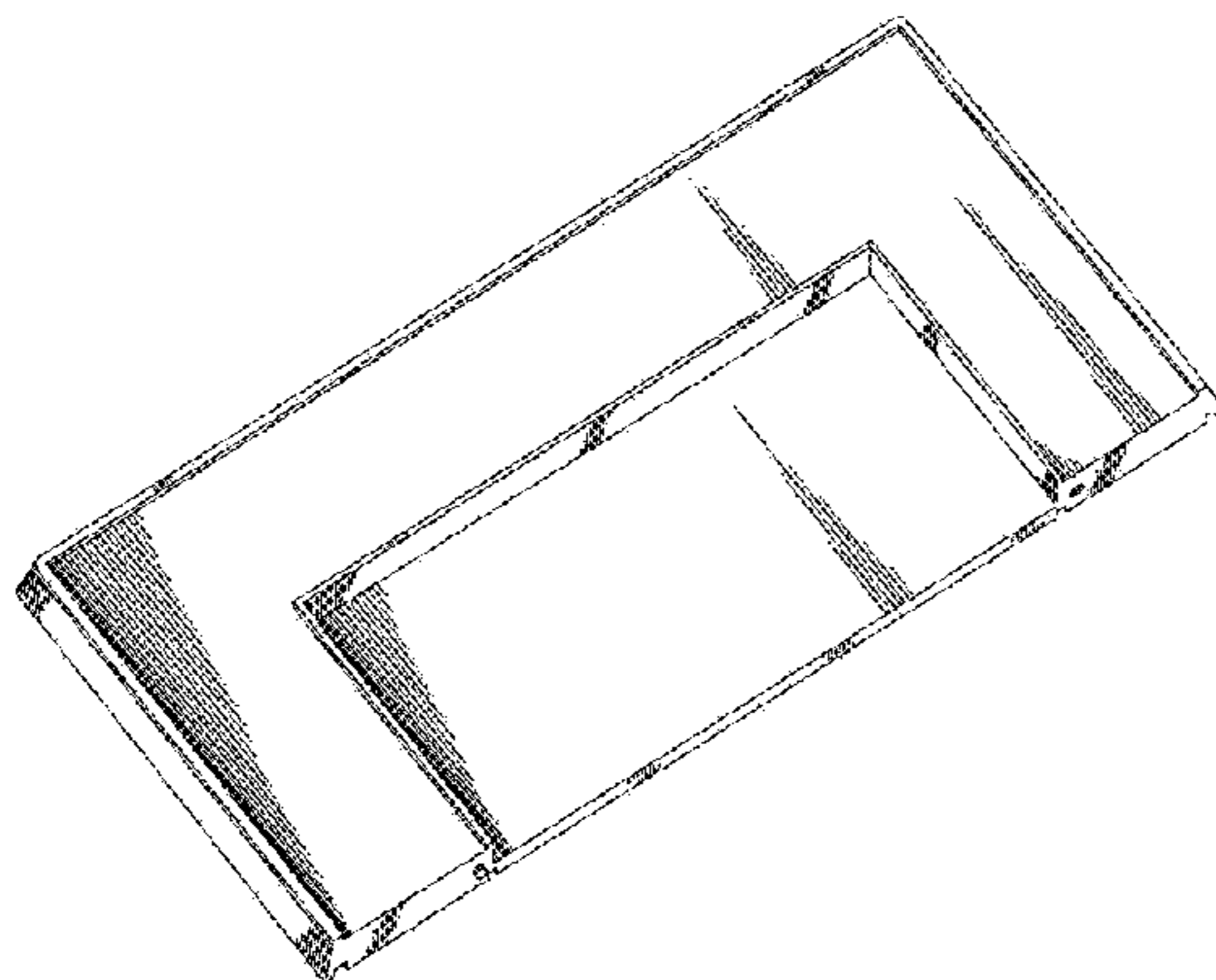
The ornamental design for game board component, as shown.

DESCRIPTION

FIG. 1 is a perspective view of a game board component;
FIG. 2 is a front view thereof;
FIG. 3 is a rear view thereof;
FIG. 4 is a left side view thereof;
FIG. 5 is a right side view thereof;
FIG. 6 is a bottom view thereof;
FIG. 7 is a front reference view illustratively depicting the formation of a game board when two of the game board component halves are joined together; and,
FIG. 8 is a side reference view illustratively depicting the manner in which the game board component halves can be stacked up.

The exemplary broken line showing of additional game board component halves in FIGS. 7 and 8 is for illustrative purposes only and forms no part of the claimed design.

1 Claim, 8 Drawing Sheets



(56)

References Cited

U.S. PATENT DOCUMENTS

1,606,340 A * 11/1926 Brat A63F 7/025
273/123 R
D101,500 S * 10/1936 Lyell D21/341
2,081,511 A * 5/1937 Smith A63B 67/10
206/0.8
2,424,123 A * 7/1947 Schruben A63F 3/0023
273/285
3,086,778 A * 4/1963 Maurer A63F 7/0616
273/108.55
D264,857 S * 6/1982 Aitkens D21/338
4,480,839 A * 11/1984 Waters, Jr. A63F 3/02
273/153 S

* cited by examiner

FIG. 1

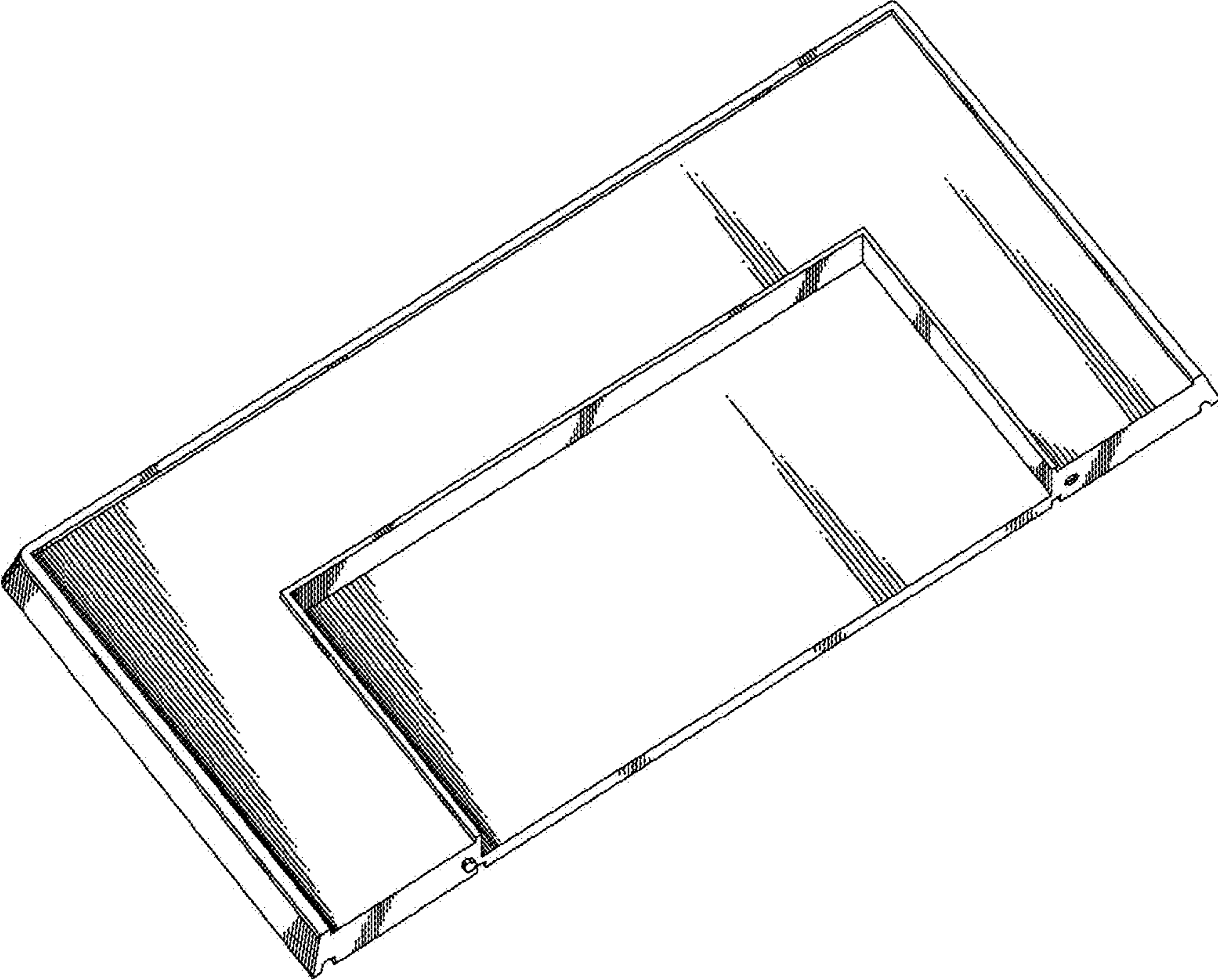


FIG. 2

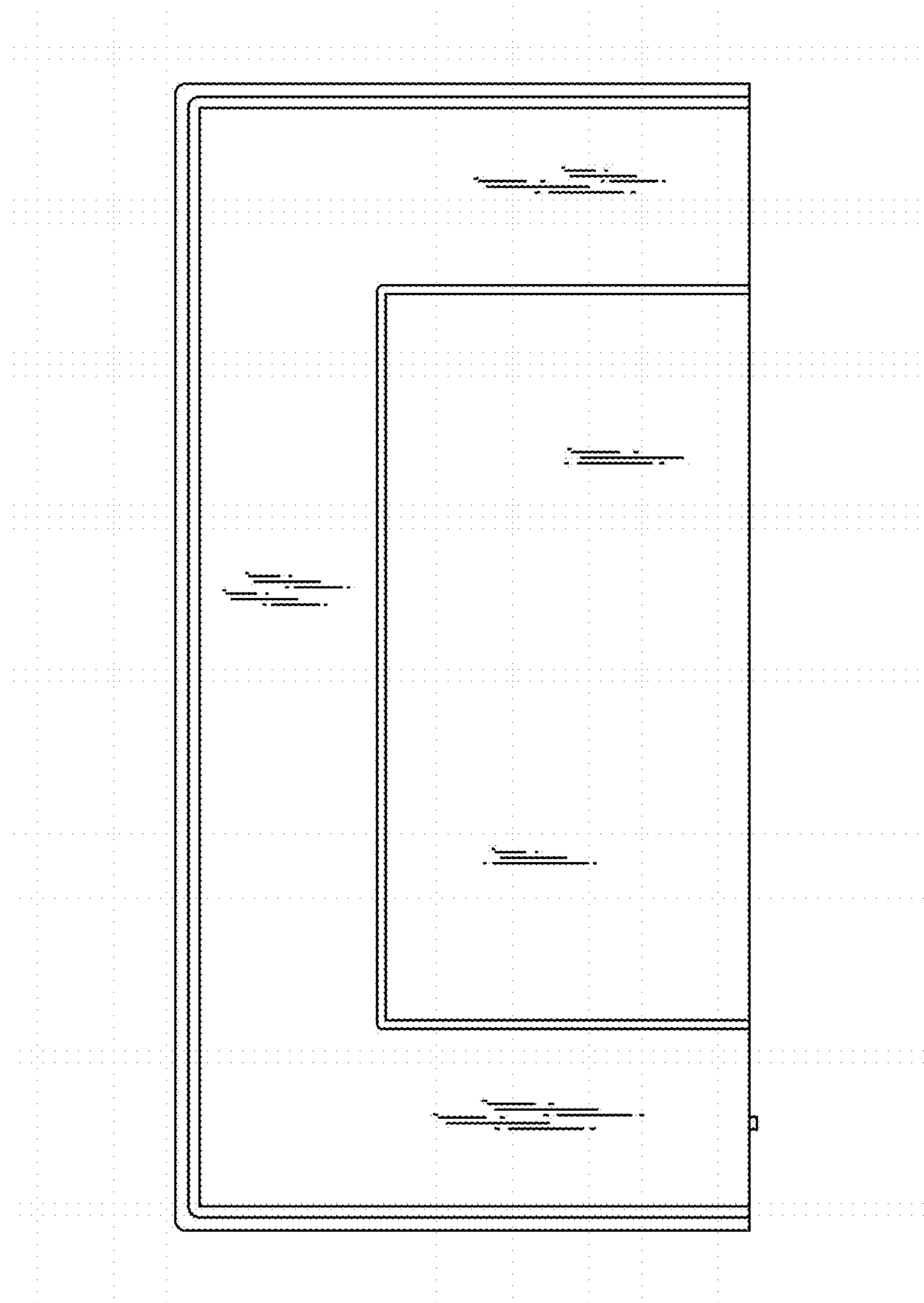


FIG. 3

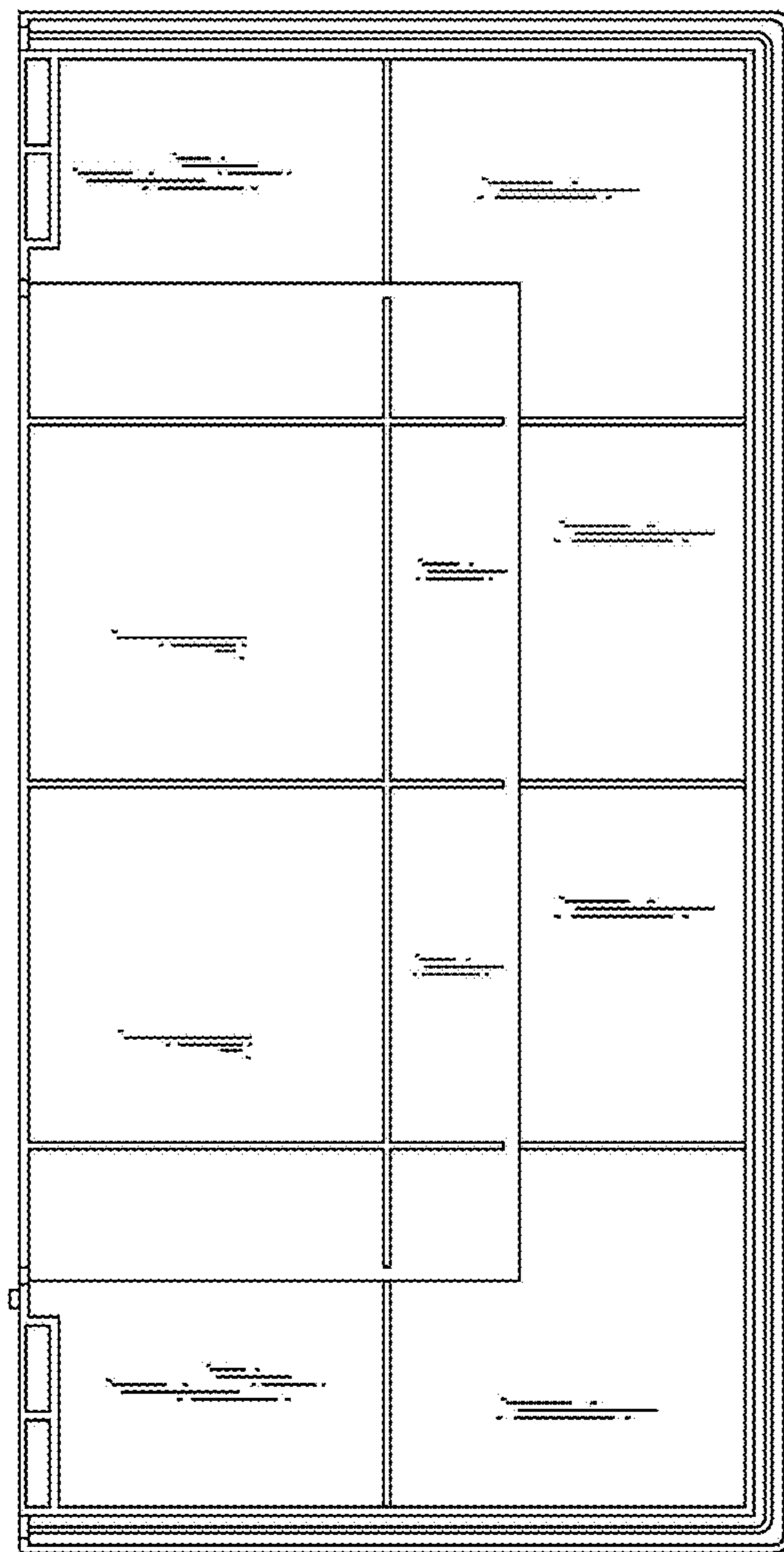


FIG. 4

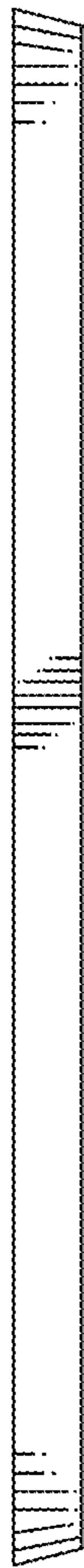


FIG. 5



FIG. 6



FIG. 7

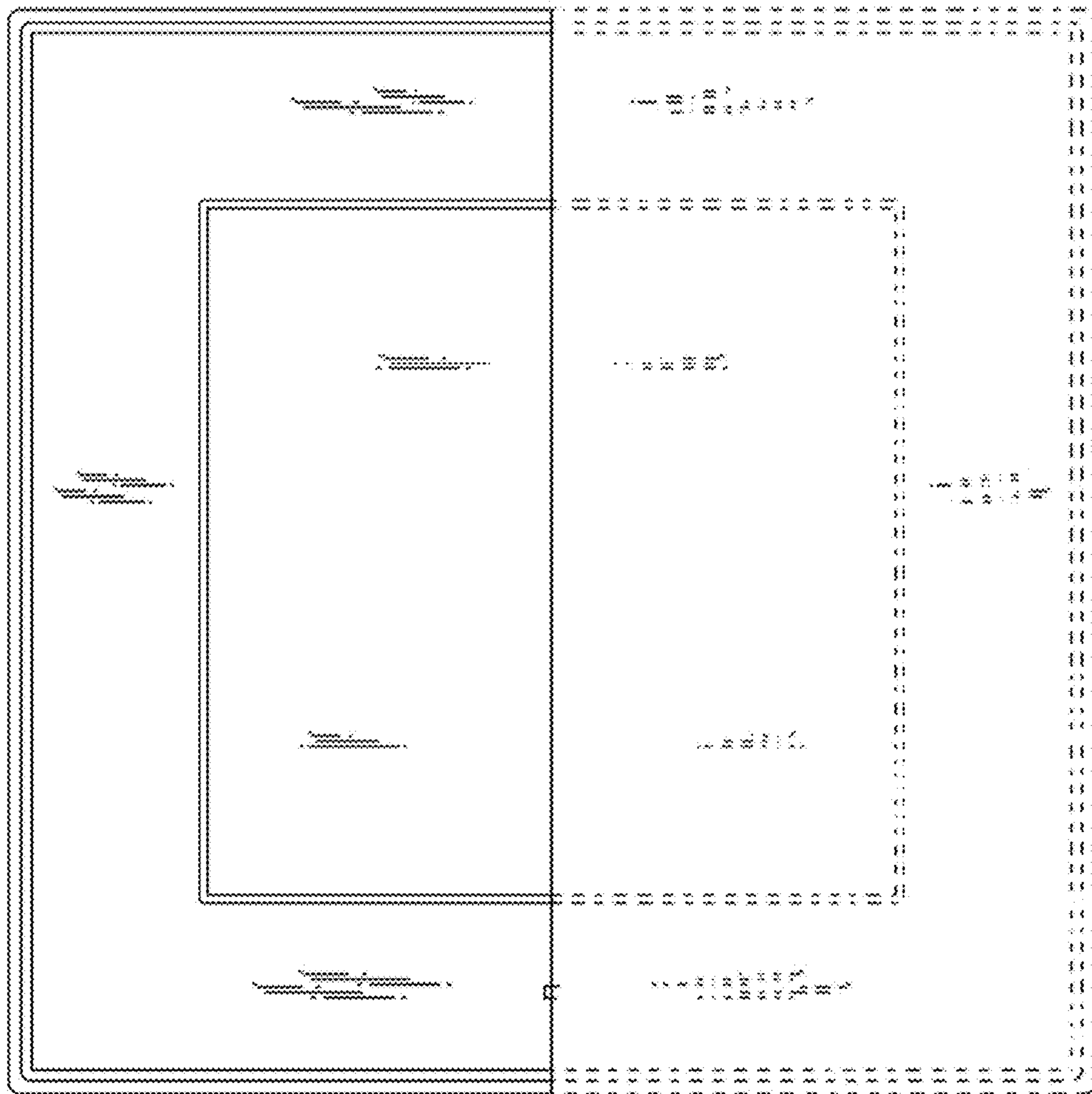


FIG. 8

