



US00D786976S

(12) **United States Design Patent**
Keating

(10) **Patent No.:** **US D786,976 S**
(45) **Date of Patent:** **** May 16, 2017**

(54) **LABEL**

- (71) Applicant: **TUESDAY MORNING PARTNERS, LTD.**, Dallas, TX (US)
- (72) Inventor: **Daniel S. Keating**, Colorado Springs, CO (US)
- (73) Assignee: **TUESDAY MORNING PARTNERS, LTD.**, Dallas, TX (US)

(**) Term: **15 Years**

(21) Appl. No.: **29/540,425**

(22) Filed: **Sep. 24, 2015**

(51) **LOC (10) Cl.** **19-08**

(52) **U.S. Cl.**
USPC **D20/27**

(58) **Field of Classification Search**
USPC D20/11, 22-29, 40, 99; D9/457, 719; D19/1, 10
CPC G09F 1/00; G09F 1/02; G09F 3/00; G09F 3/02; G09F 3/10; G09F 3/14; G09F 3/18; G09F 3/0288; G09F 2003/0021; G09F 2003/0208; G09F 2003/023; G09F 2003/0225; G09F 2003/0257; G09F 2003/0264; G09F 2003/0266; G09F 2003/0267; G09F 2003/0269; G09F 2003/0272; G09F 2003/0273; G09F 2003/0279; G09F 2003/0292; B42D 15/00

See application file for complete search history.

(56) **References Cited**

U.S. PATENT DOCUMENTS

- 129,189 A * 7/1872 Swett B65D 63/08 24/23 B
- 1,540,455 A * 6/1925 Beck G09F 3/18 40/662
- 1,658,263 A * 2/1928 Stanley G09F 3/10 40/638

(Continued)

OTHER PUBLICATIONS

U.S. Appl. No. 29/540,471, filed Sep. 25, 2015 (15 pages).

Primary Examiner — Mary Ann Calabrese

(74) *Attorney, Agent, or Firm* — Haynes and Boone, LLP

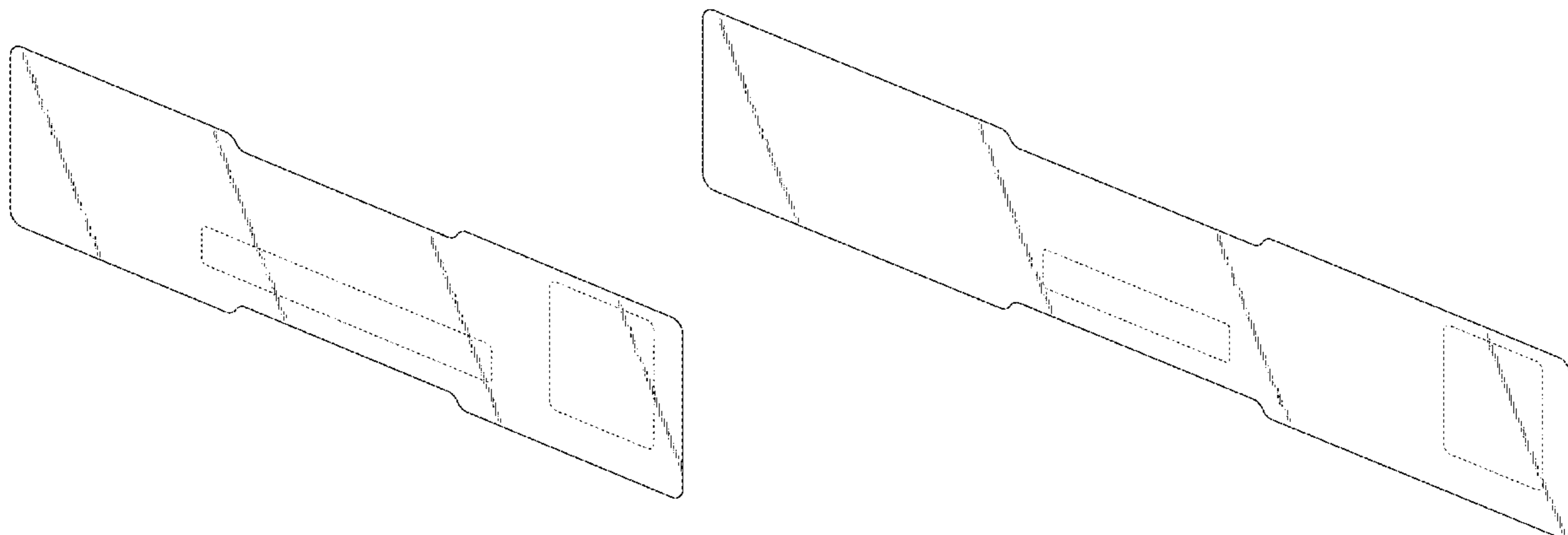
(57) **CLAIM**

The ornamental design for a label, as shown and described.

DESCRIPTION

FIG. 1 is a front perspective view of a label showing a first embodiment of our new design; FIG. 2 is a front view thereof; and FIG. 3 is a rear view thereof. FIG. 4 is front perspective view of the label of FIG. 1 on a jar having a cover; FIG. 5 is a front view thereof; FIG. 6 is a rear view thereof; FIG. 7 is a right side view thereof; FIG. 8 is a left side view thereof; FIG. 9 is a top view thereof; and FIG. 10 is a bottom view thereof. FIG. 11 is a front perspective view of a label showing a second embodiment of our new design; FIG. 12 is a front view thereof; and FIG. 13 is a rear view thereof. FIG. 14 is front perspective view of the label of FIG. 10 on a jar having a cover; FIG. 15 is a front view thereof; FIG. 16 is a rear view thereof; FIG. 17 is a right side view thereof; FIG. 18 is a left side view thereof; FIG. 19 is a top view thereof; and FIG. 20 is a bottom view thereof. The broken lines on the label illustrate portions of the article that form no part of the claimed design. The broken lines showing of a jar, illustrate environment and form no part of the claimed design.

1 Claim, 12 Drawing Sheets



(56)

References Cited

U.S. PATENT DOCUMENTS

2,076,549	A	4/1937	Conner	
2,121,865	A *	6/1938	Flood	B42D 15/00 281/5
D289,259	S	4/1987	Strand	
D306,826	S	3/1990	Bormioli	
D316,671	S	5/1991	Rohmeder	
D316,961	S	5/1991	Hoenig	
5,165,725	A *	11/1992	Gollon	G09F 3/0292 283/108
5,704,144	A *	1/1998	Groth	G09F 3/10 40/306
D424,859	S *	5/2000	Hamilton	D20/22
D443,899	S *	6/2001	Stephens	D20/22
D455,189	S	4/2002	Bradbury	
D505,699	S	5/2005	Lawson	
D535,701	S	1/2007	Lawson	
D570,921	S *	6/2008	Egros	D20/27
D592,510	S	5/2009	Dell'Orto	
D615,402	S *	5/2010	Doster	D20/22
D641,046	S	7/2011	Swanson	
D656,012	S	3/2012	Leu et al.	
D659,193	S *	5/2012	Newman	D20/27
D659,539	S	5/2012	Bakic	
D675,926	S	2/2013	Tovar	
D725,709	S	3/2015	Lerner	

* cited by examiner

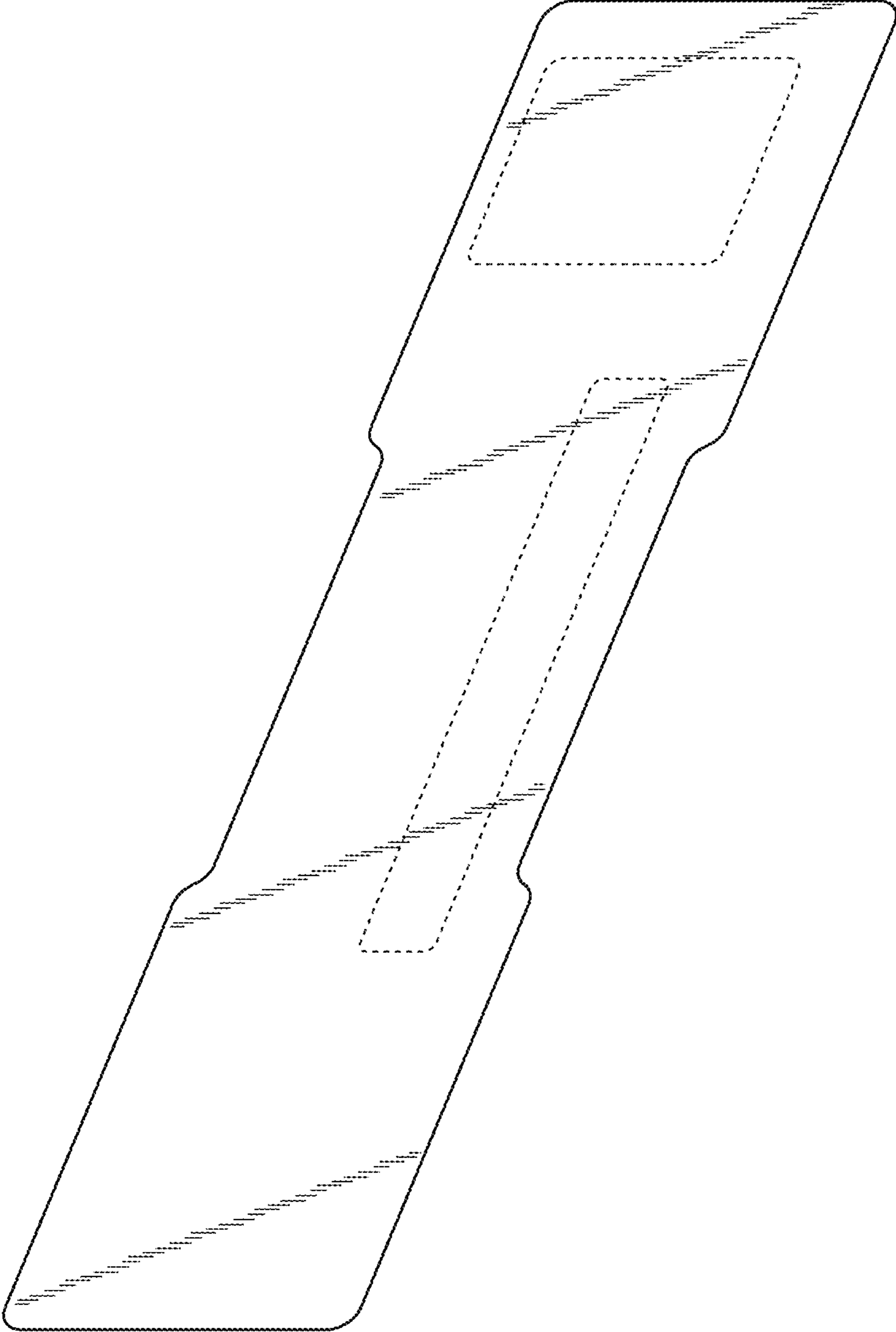


FIG. 1

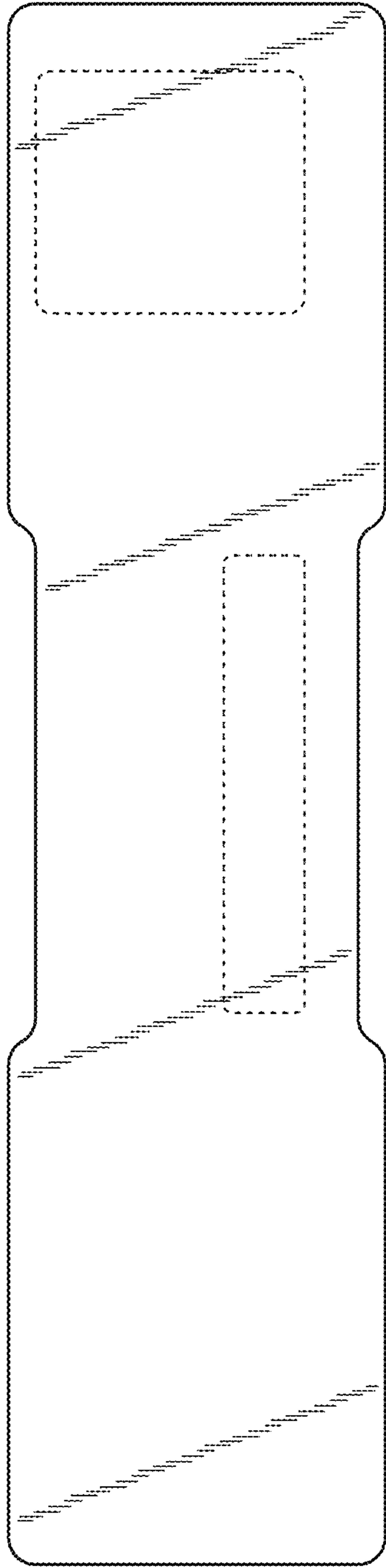


FIG. 2

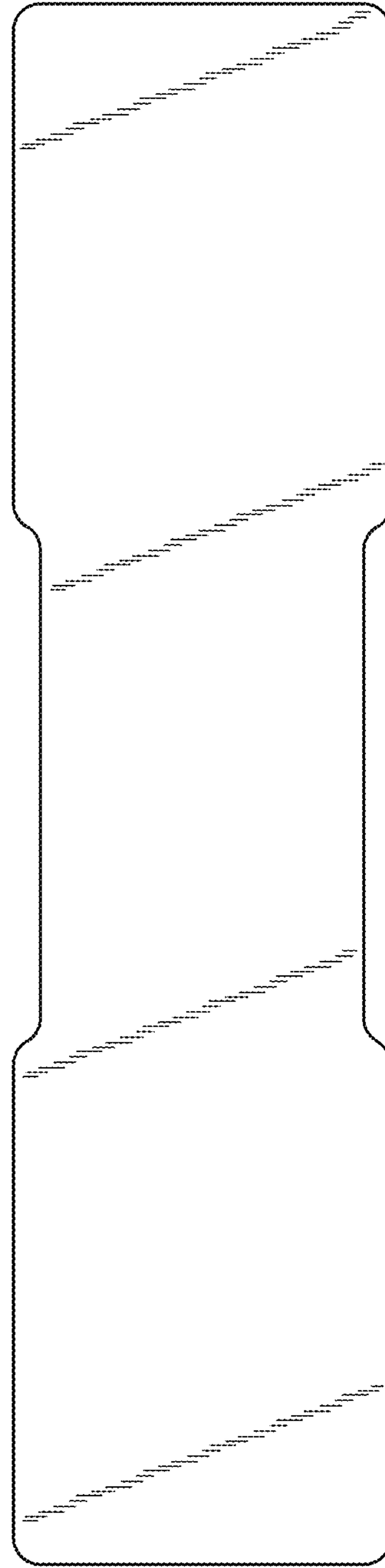


FIG. 3

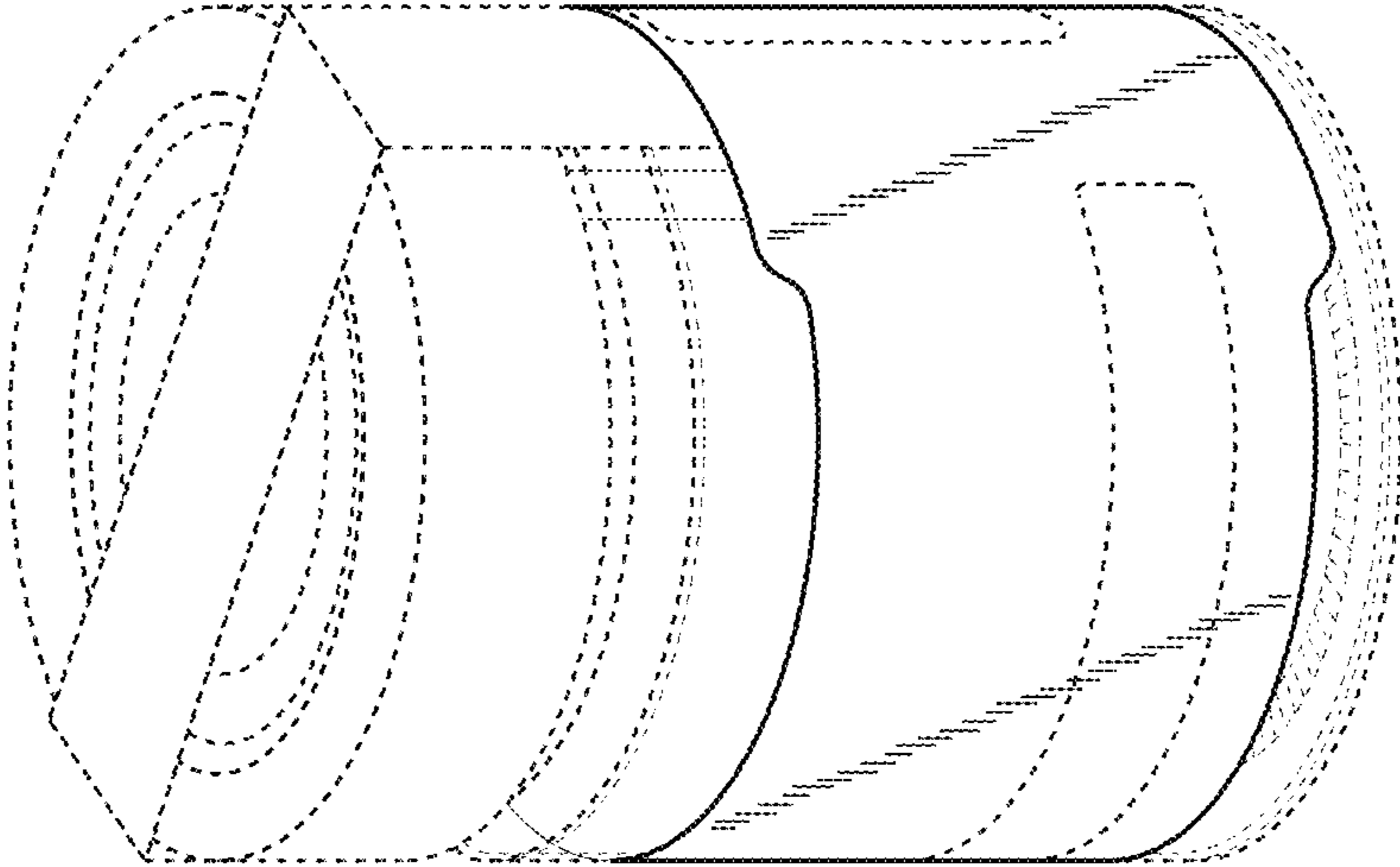


FIG. 4

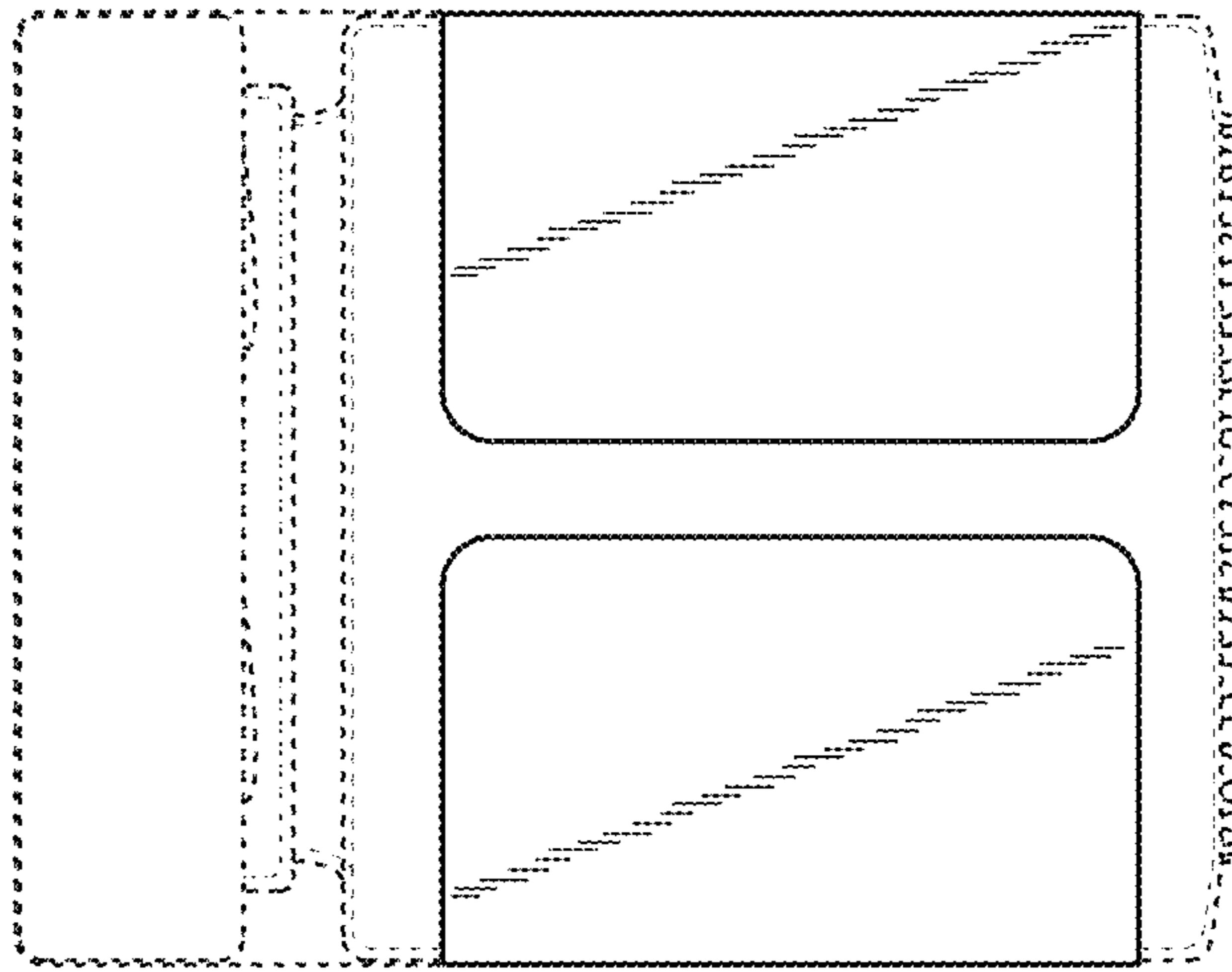


FIG. 6

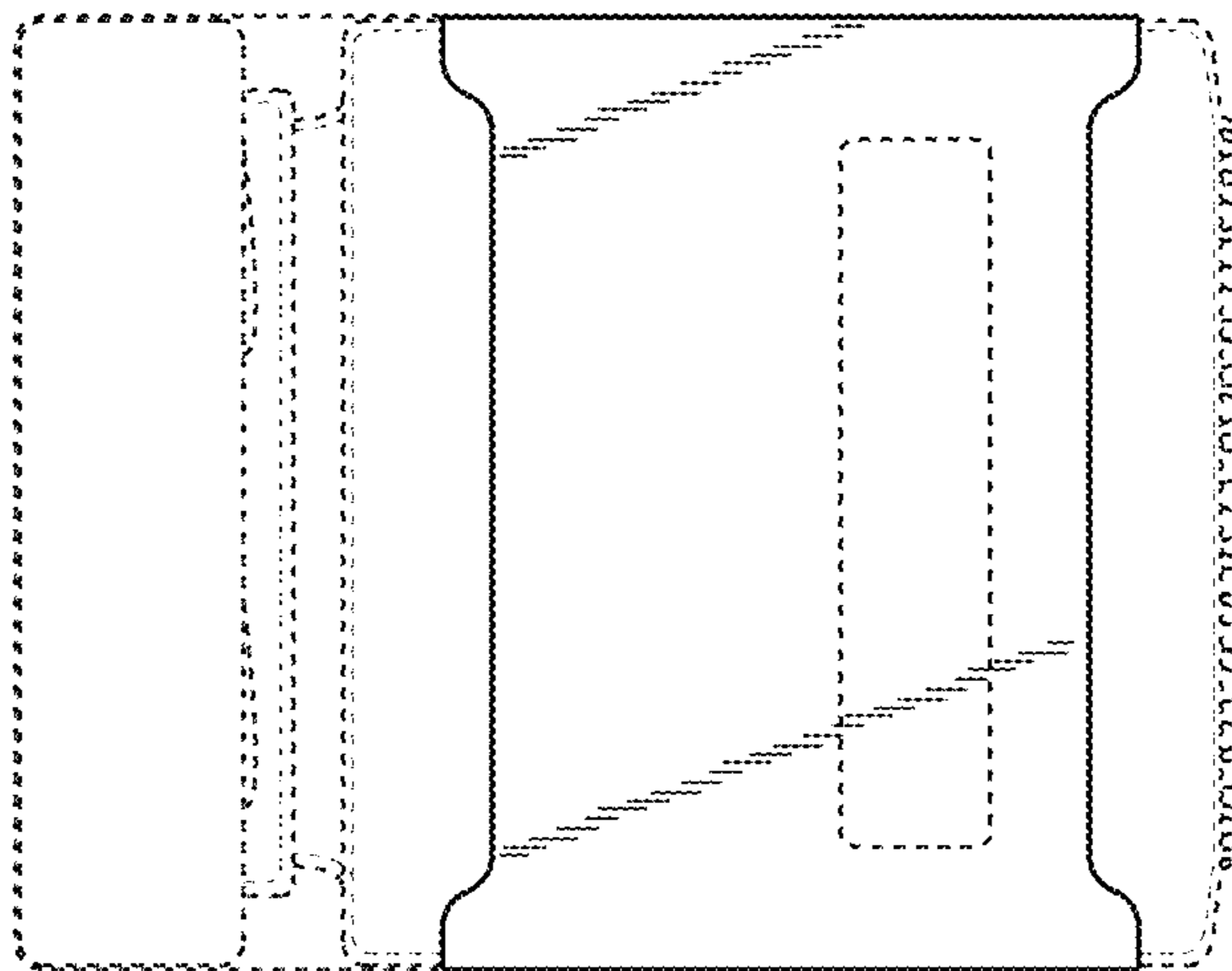


FIG. 5

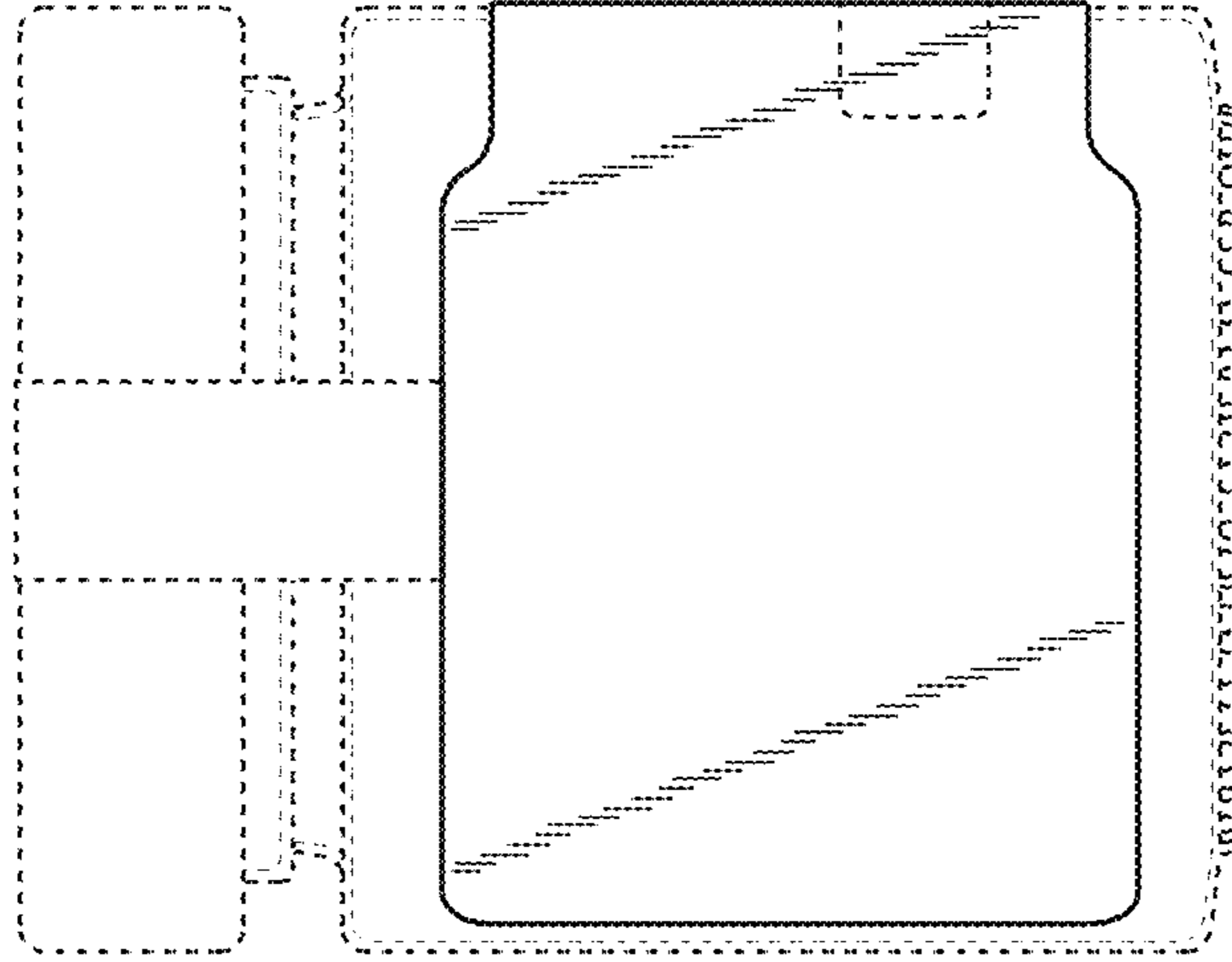


FIG. 8

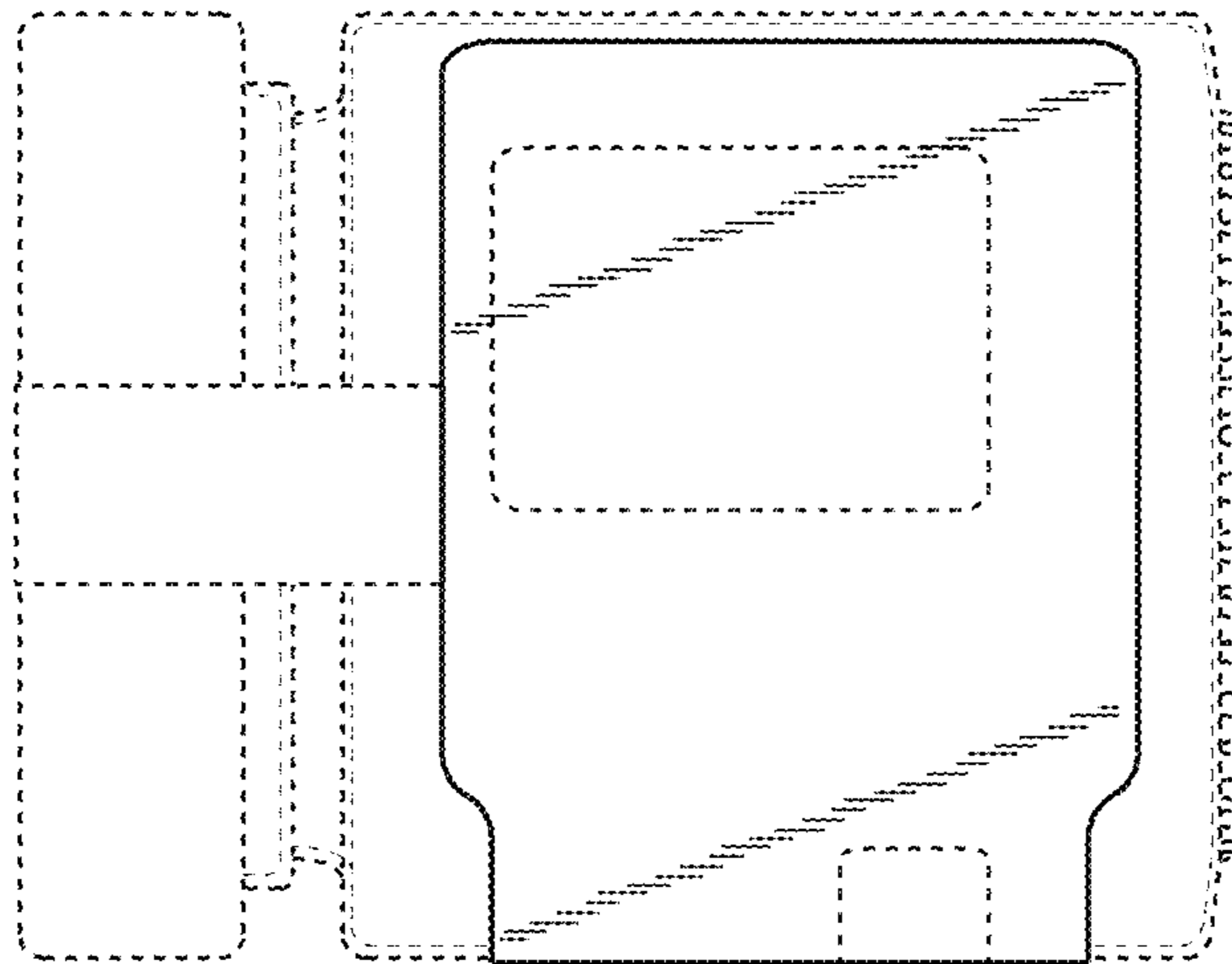


FIG. 7

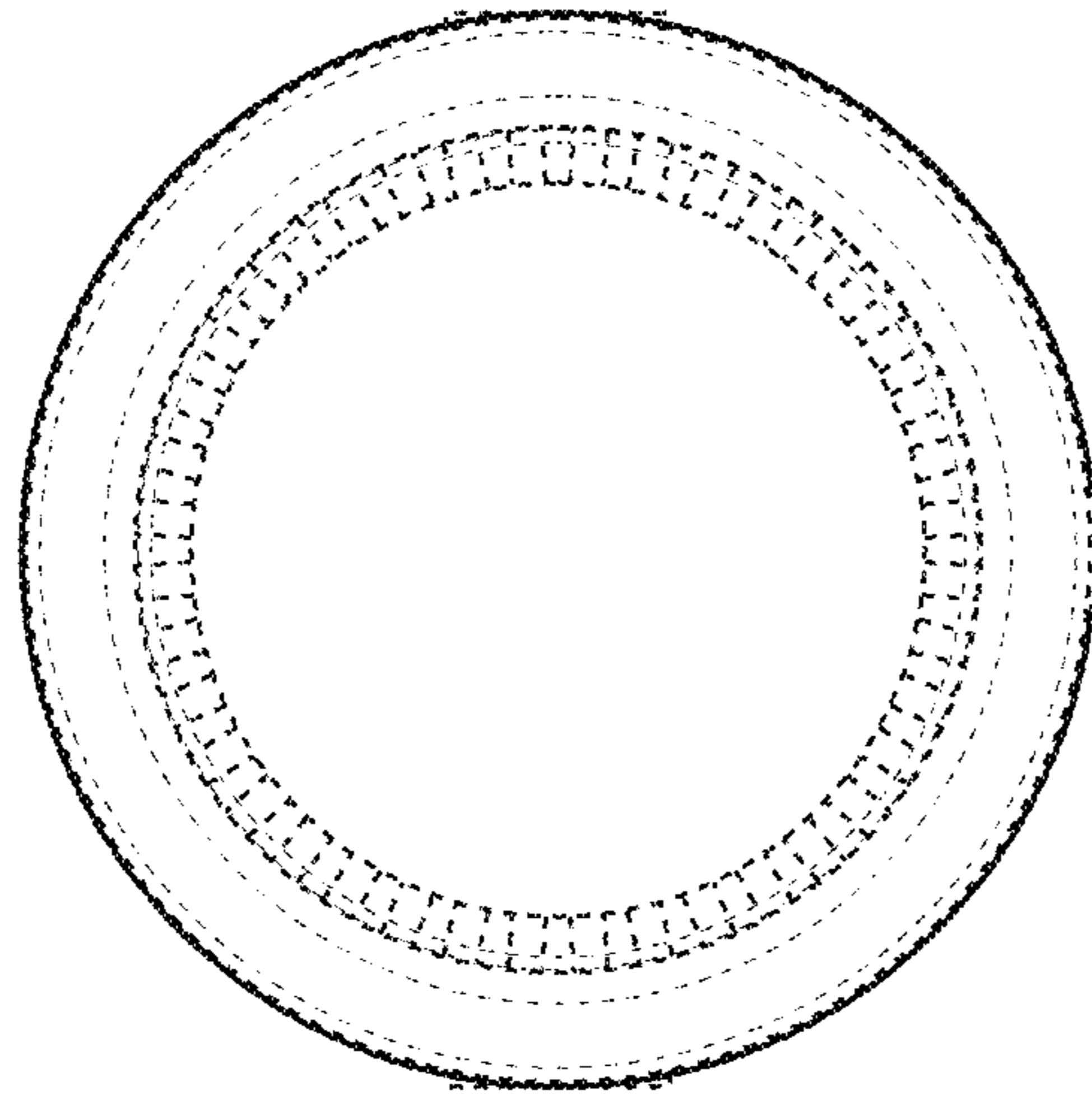


FIG. 10

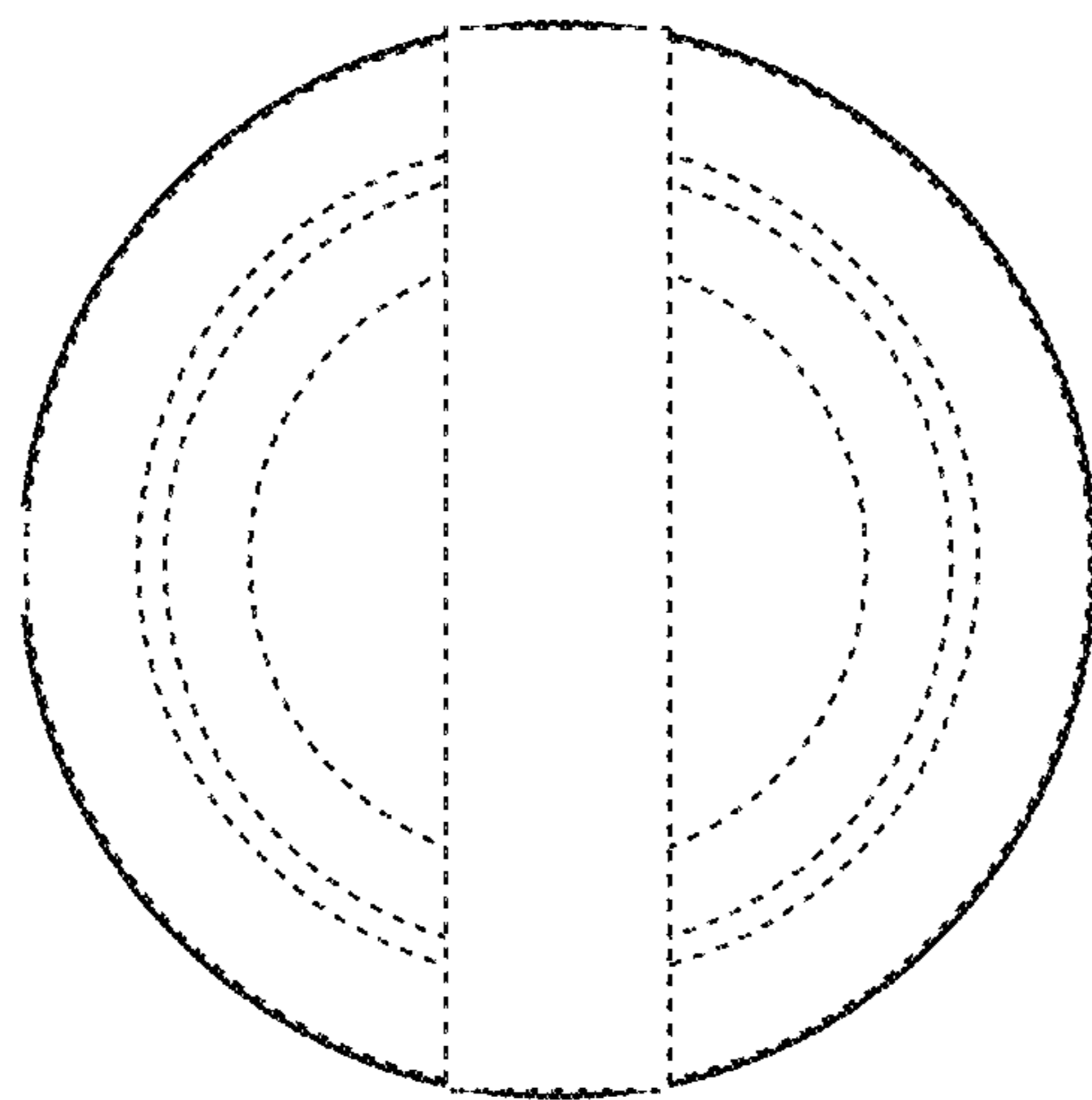


FIG. 9

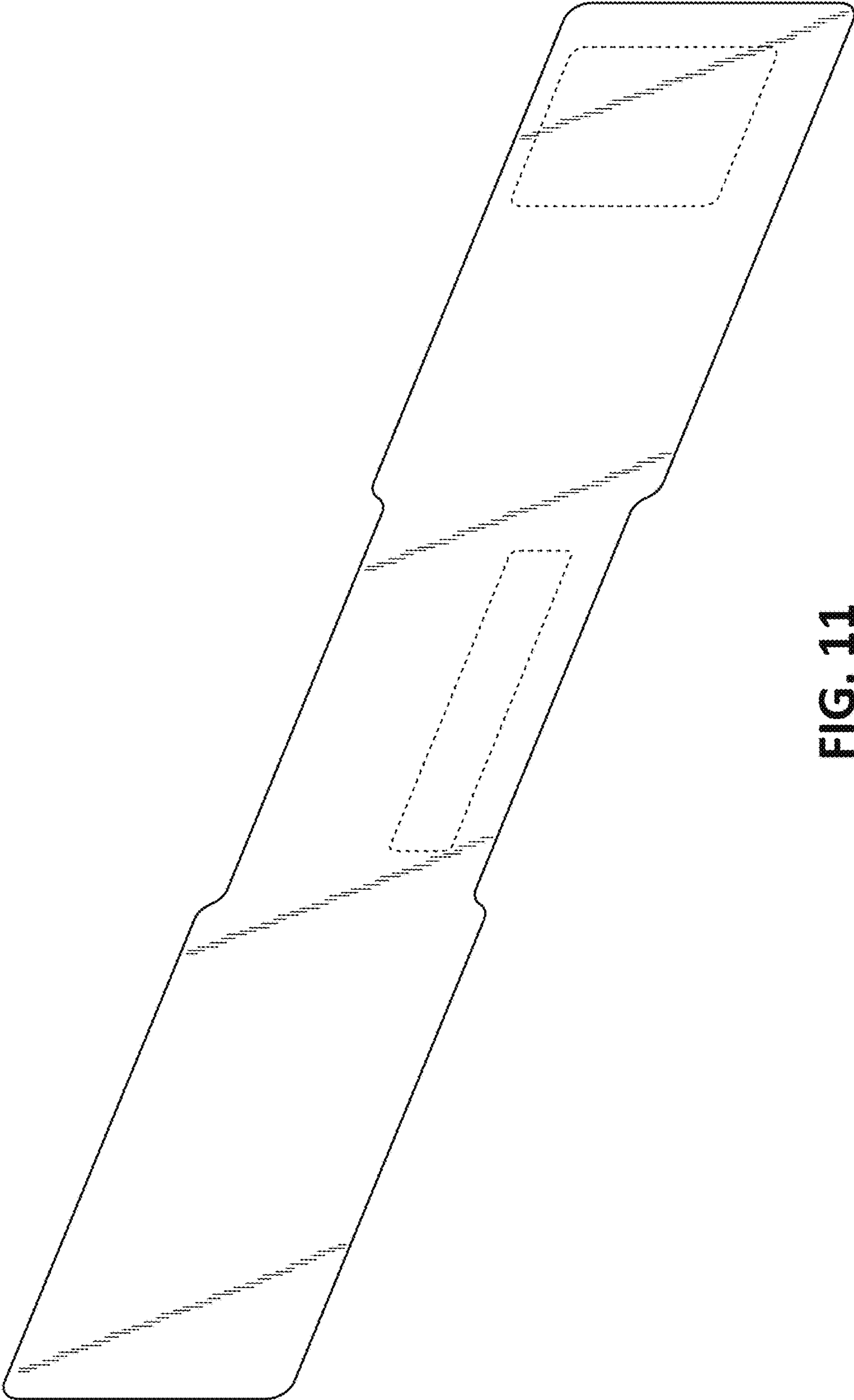


FIG. 11

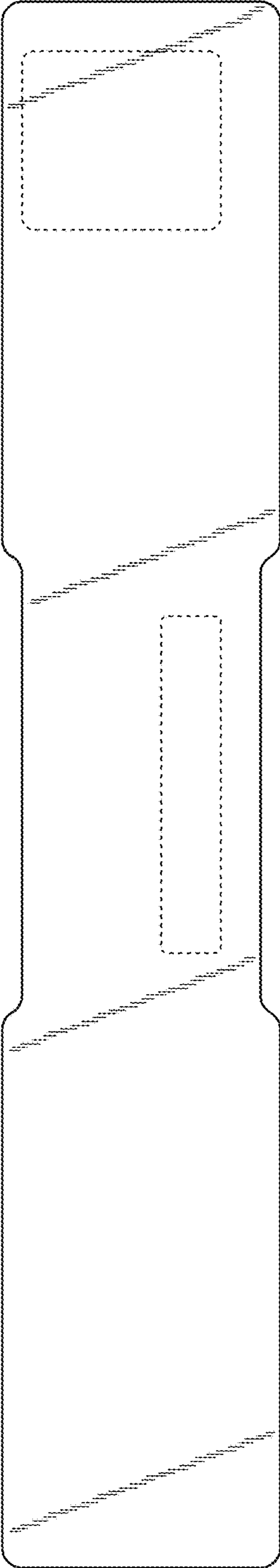


FIG. 12

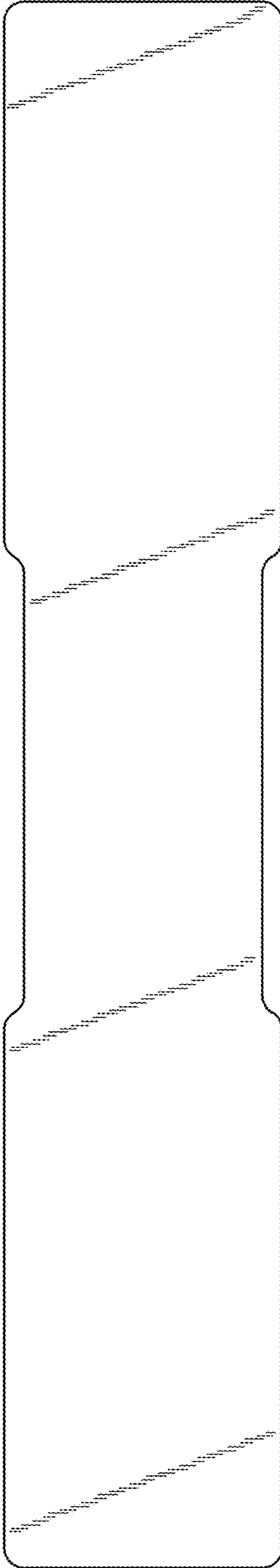


FIG. 13

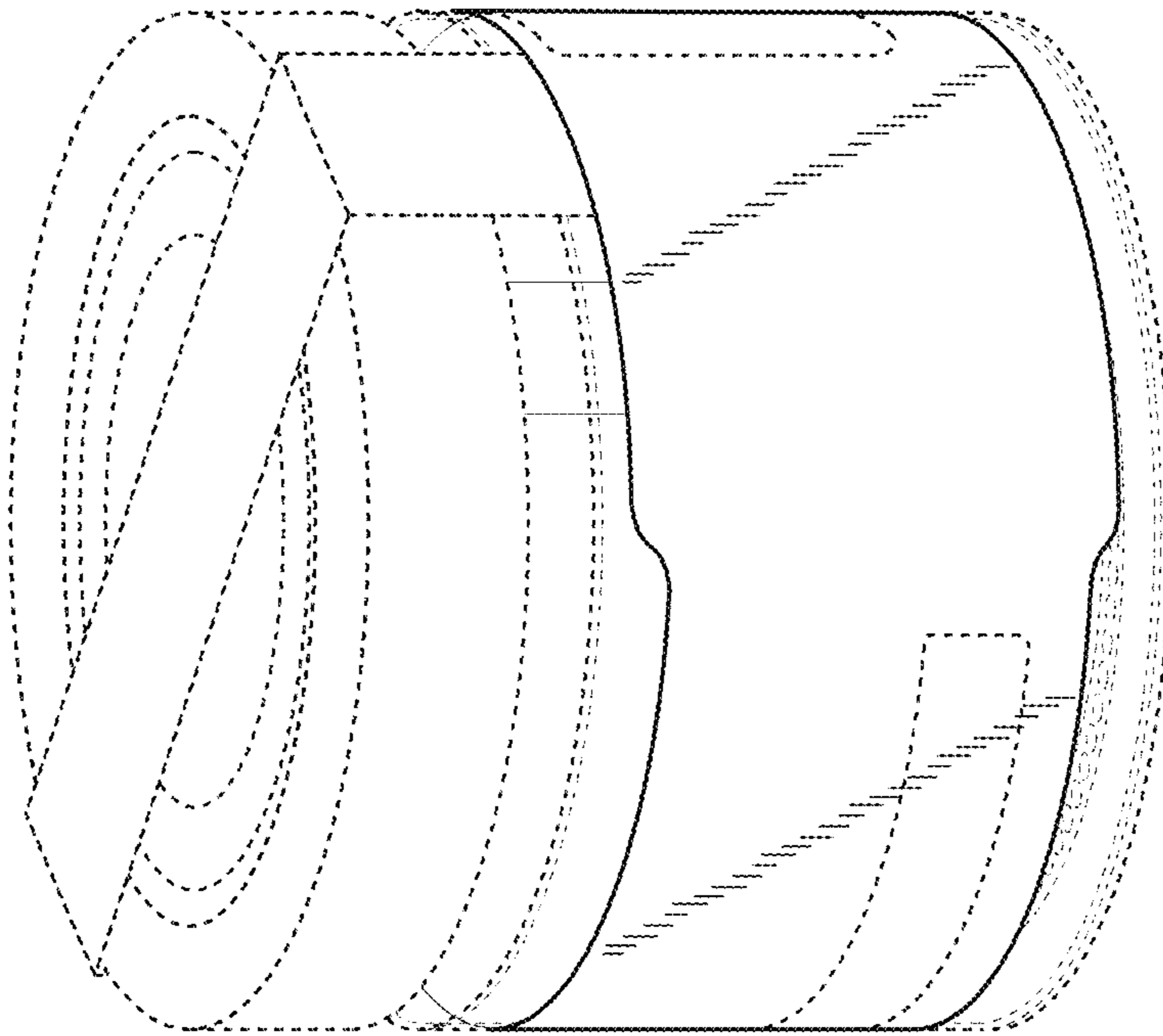


FIG. 14

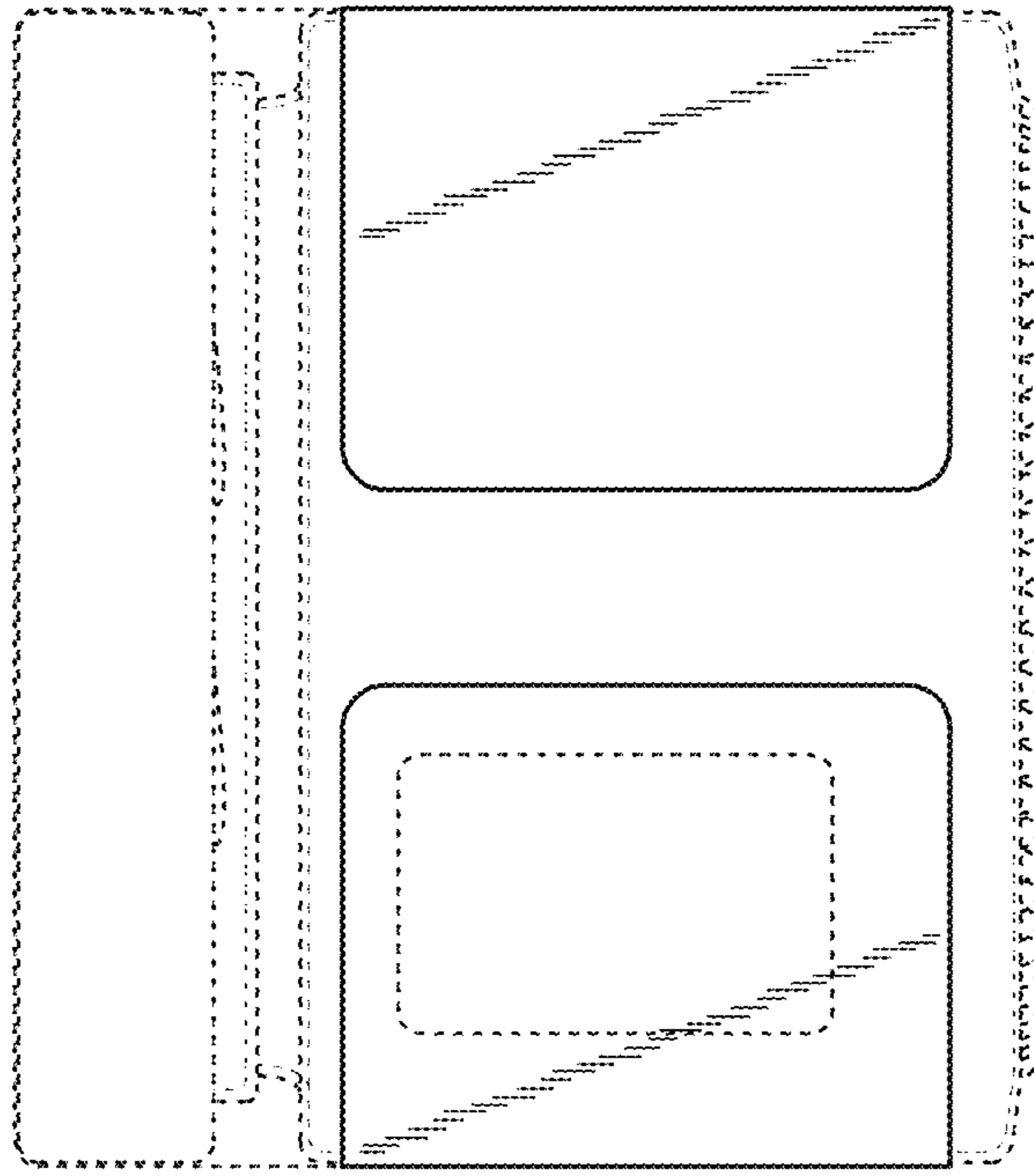


FIG. 16

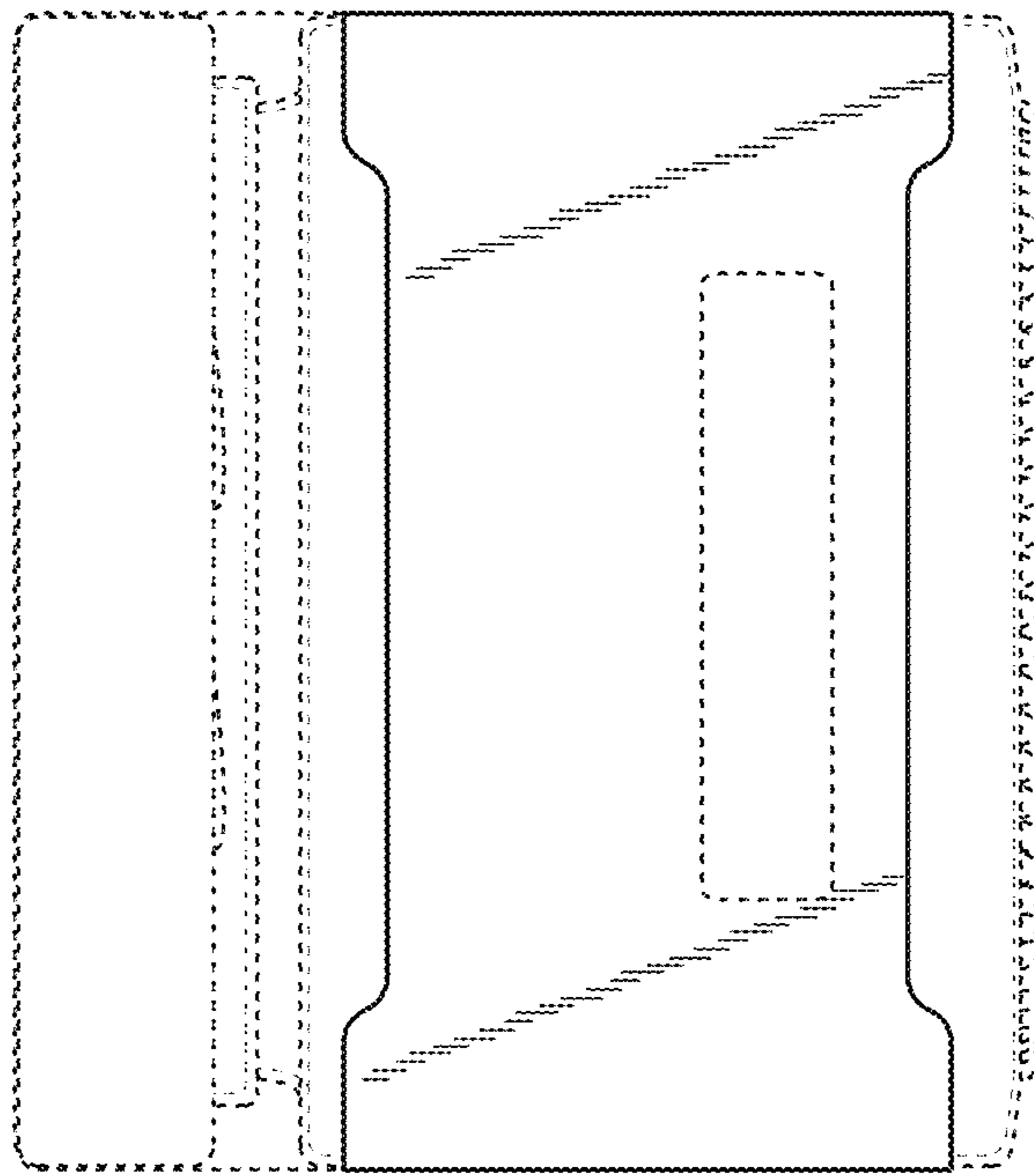


FIG. 15

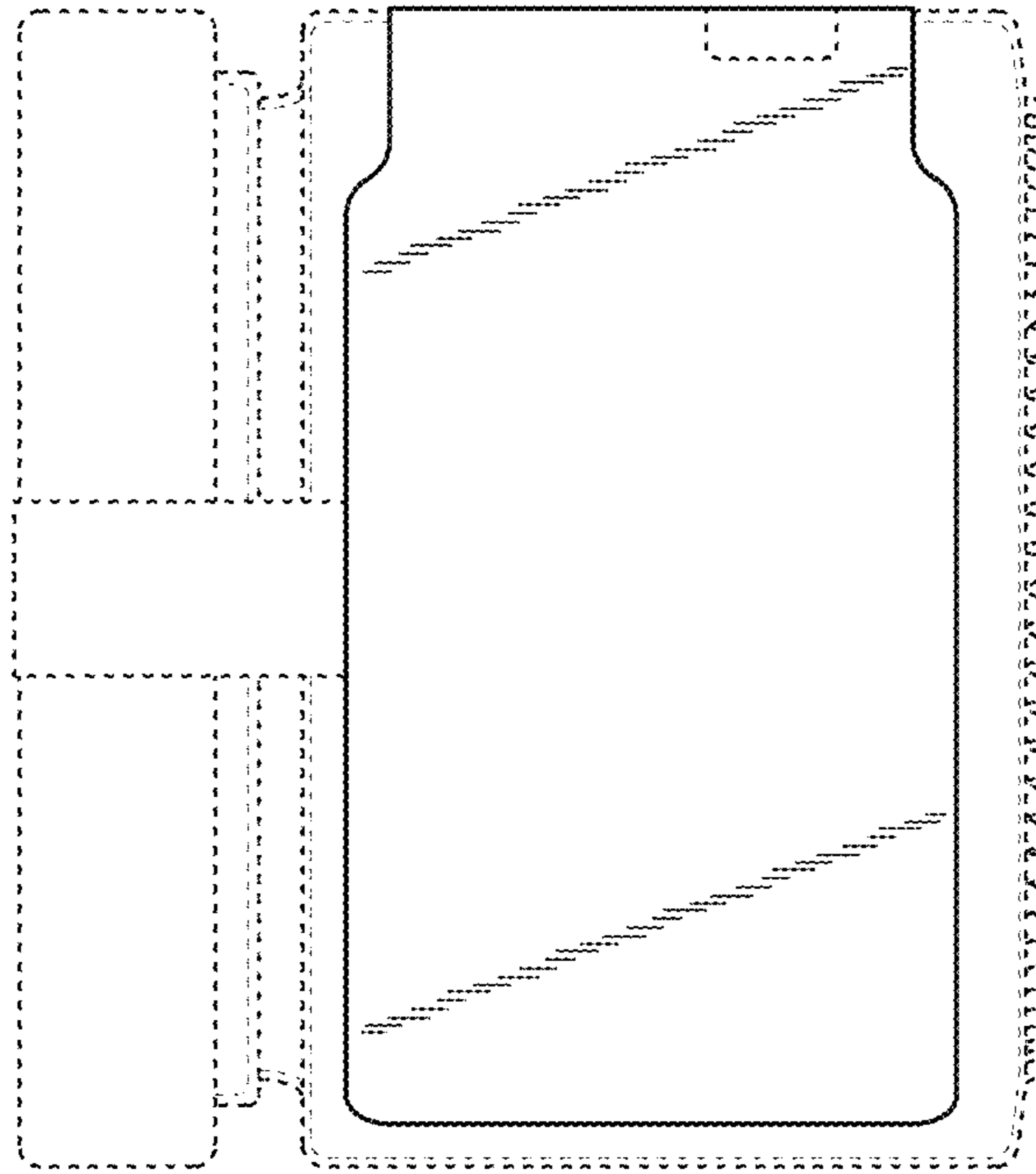


FIG. 18

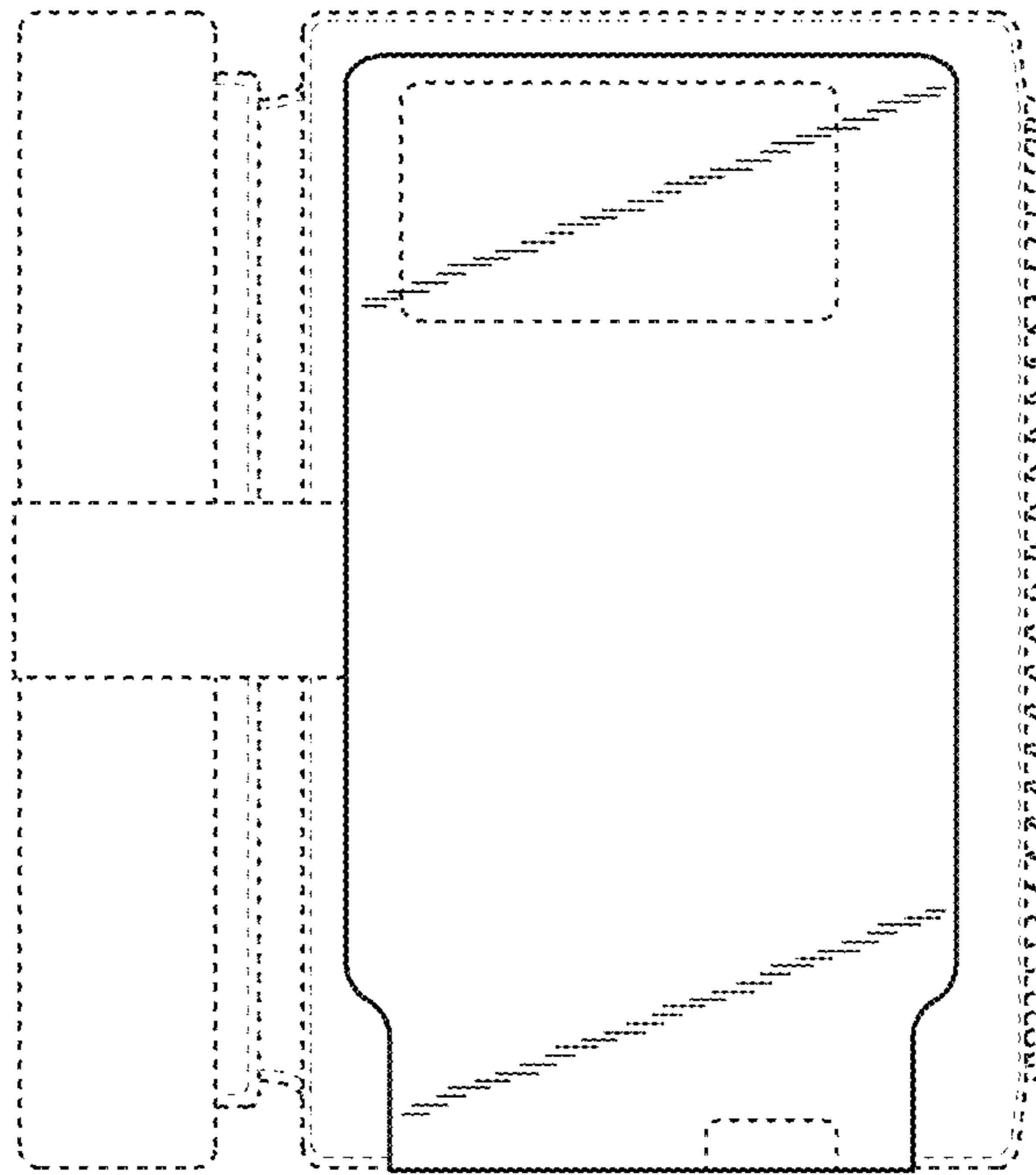


FIG. 17

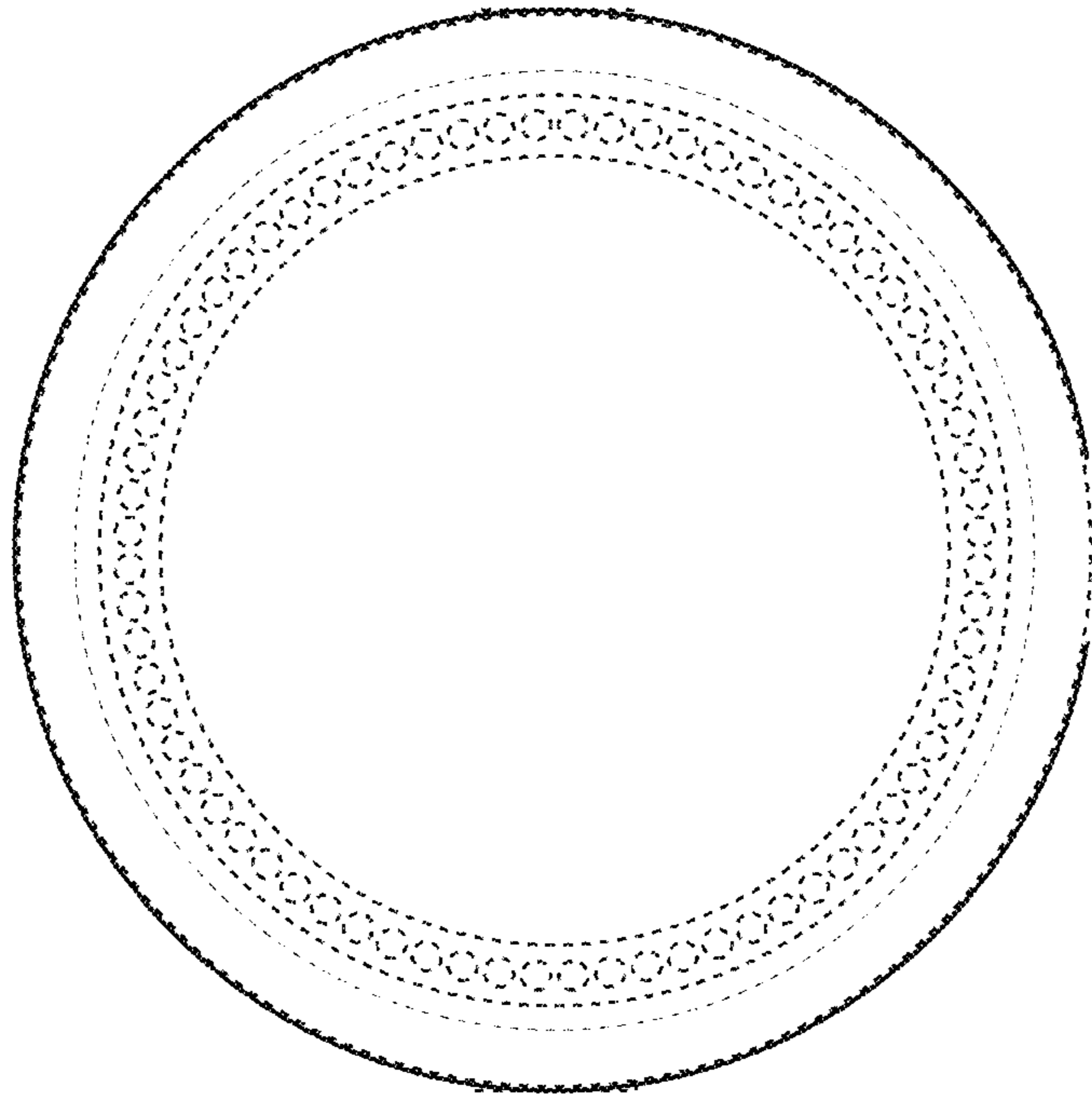


FIG. 20

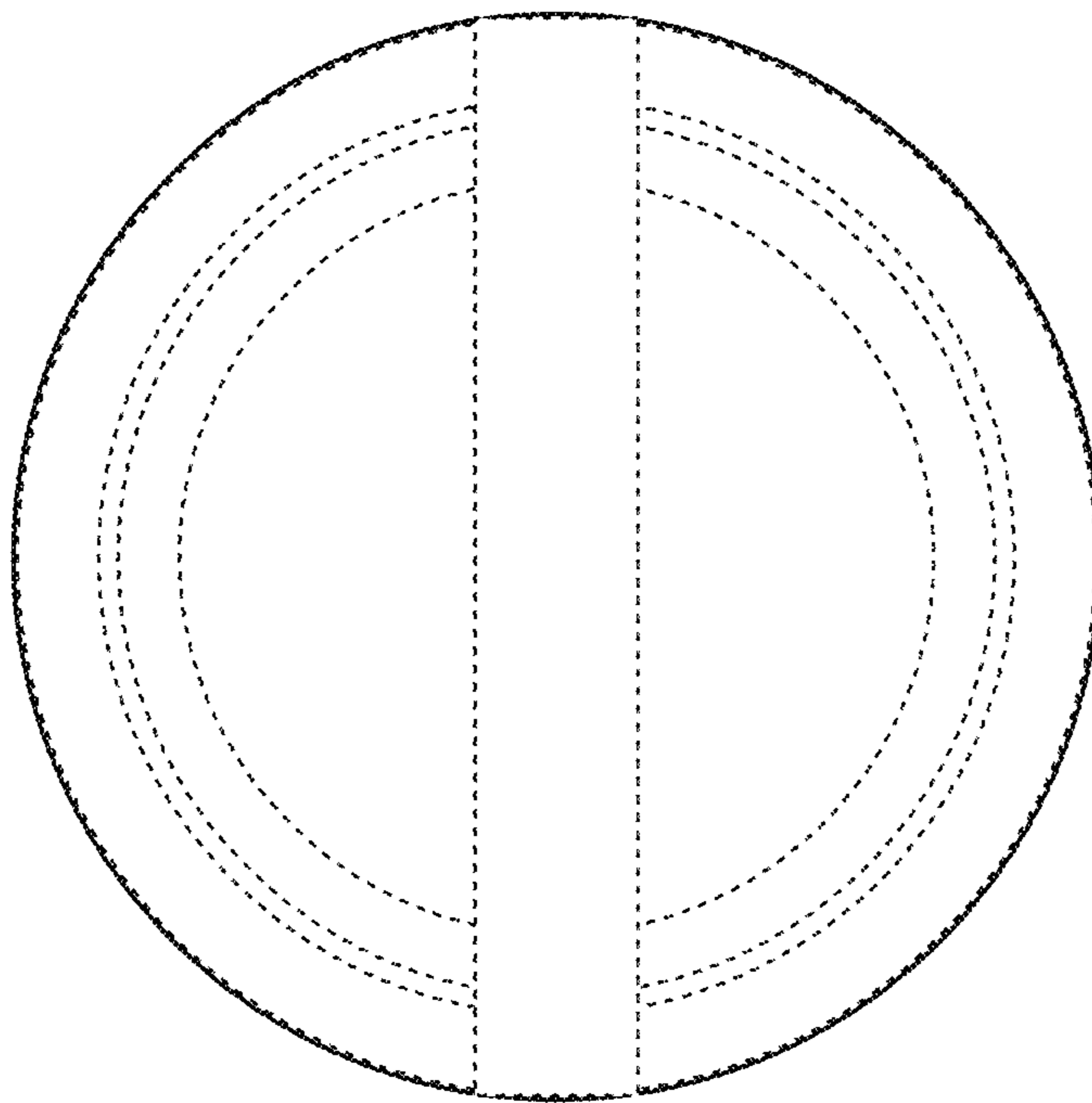


FIG. 19