



US00D786973S

(12) **United States Design Patent**  
**Matsushita et al.**

(10) **Patent No.:** **US D786,973 S**

(45) **Date of Patent:** **\*\* May 16, 2017**

(54) **BALLPOINT PEN**

(71) Applicant: **KABUSHIKI KAISHA PILOT CORPORATION**, Chuo-ku, Tokyo (JP)

(72) Inventors: **Moegi Matsushita**, Tokyo (JP); **Genki Iwao**, Tokyo (JP)

(73) Assignee: **KABUSHIKI KAISHA PILOT CORPORATION**, Tokyo (JP)

(\*\*) Term: **15 Years**

(21) Appl. No.: **29/549,078**

(22) Filed: **Dec. 18, 2015**

(30) **Foreign Application Priority Data**

Jul. 1, 2015 (JP) ..... 2015-014582

(51) **LOC (10) Cl.** ..... **19-06**

(52) **U.S. Cl.**  
USPC ..... **D19/170**

(58) **Field of Classification Search**  
USPC ..... D14/411; D19/115–204  
CPC ... B43K 5/00; B43K 7/00; B43K 7/12; B43K 8/04; B43K 8/06; B43K 19/00; B43K 19/02; B43K 19/14; B43K 24/08  
See application file for complete search history.

(56) **References Cited**

**U.S. PATENT DOCUMENTS**

2,130,853 A \* 9/1938 Marshall ..... B43K 25/022  
24/11 F  
D153,679 S \* 5/1949 Gruber ..... D19/170  
D181,145 S \* 10/1957 Harper et al. .... D19/172  
3,343,292 A \* 9/1967 Jorgensen ..... B43K 29/007  
359/798

D252,333 S \* 7/1979 Funahashi ..... D19/168  
D280,421 S \* 9/1985 Giugiaro ..... D19/170  
D289,304 S \* 4/1987 Giugiaro ..... D19/170  
D357,676 S \* 4/1995 Mundt ..... D14/411  
D383,494 S \* 9/1997 Polenberg ..... D19/168  
D389,866 S \* 1/1998 Boix Gacia ..... D19/170  
D399,874 S \* 10/1998 Boix Gacia ..... D19/173  
D400,583 S \* 11/1998 Boix Gacia ..... D19/174  
D421,772 S \* 3/2000 Maruyama ..... D19/174  
D424,112 S \* 5/2000 Hazzard ..... D19/159  
D430,208 S \* 8/2000 Veillon ..... D19/170  
D431,598 S \* 10/2000 Kim ..... D14/411  
D569,906 S \* 5/2008 Cetera ..... D19/170  
D595,352 S \* 6/2009 Ikeda ..... D19/173  
D595,354 S \* 6/2009 Booker ..... D19/173  
D652,451 S \* 1/2012 Casciotti ..... D19/201  
D655,340 S \* 3/2012 Liu ..... D19/170  
D666,672 S \* 9/2012 Zhang ..... D19/173  
D684,578 S \* 6/2013 Son ..... D14/411

\* cited by examiner

*Primary Examiner* — Elizabeth Albert

(74) *Attorney, Agent, or Firm* — Sughrue Mion, PLLC

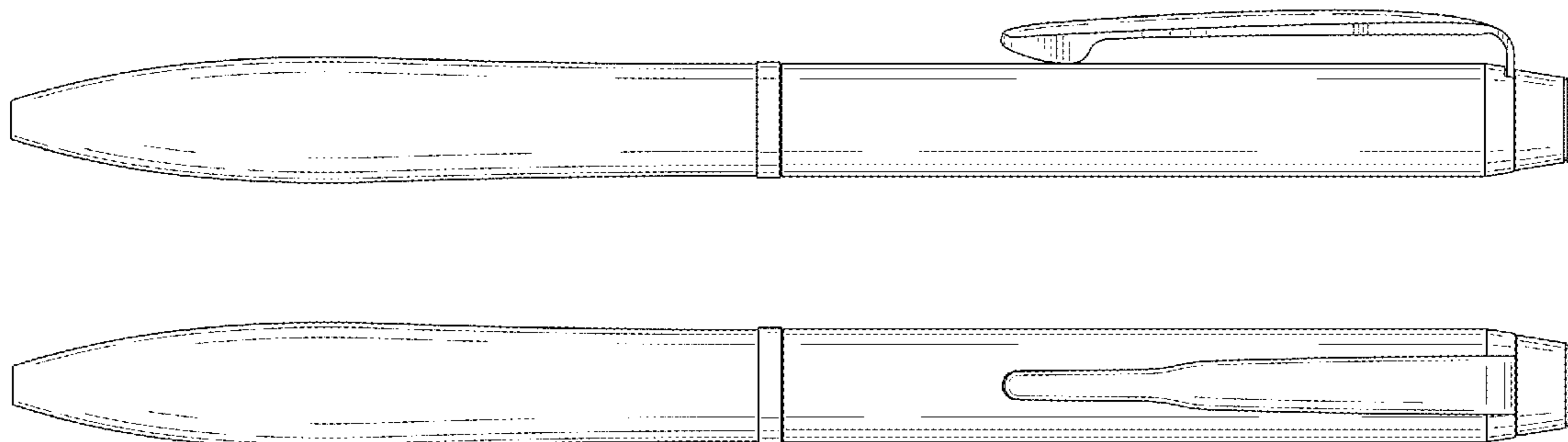
(57) **CLAIM**

The ornamental design for a ballpoint pen, as shown and described.

**DESCRIPTION**

FIG. 1 is a perspective view of a ballpoint pen showing our new design;  
FIG. 2 is a front view thereof;  
FIG. 3 is a left side view thereof;  
FIG. 4 is a right side view thereof;  
FIG. 5 is a top view thereof;  
FIG. 6 is a bottom view thereof; and,  
FIG. 7 is a front view of usage.

**1 Claim, 3 Drawing Sheets**



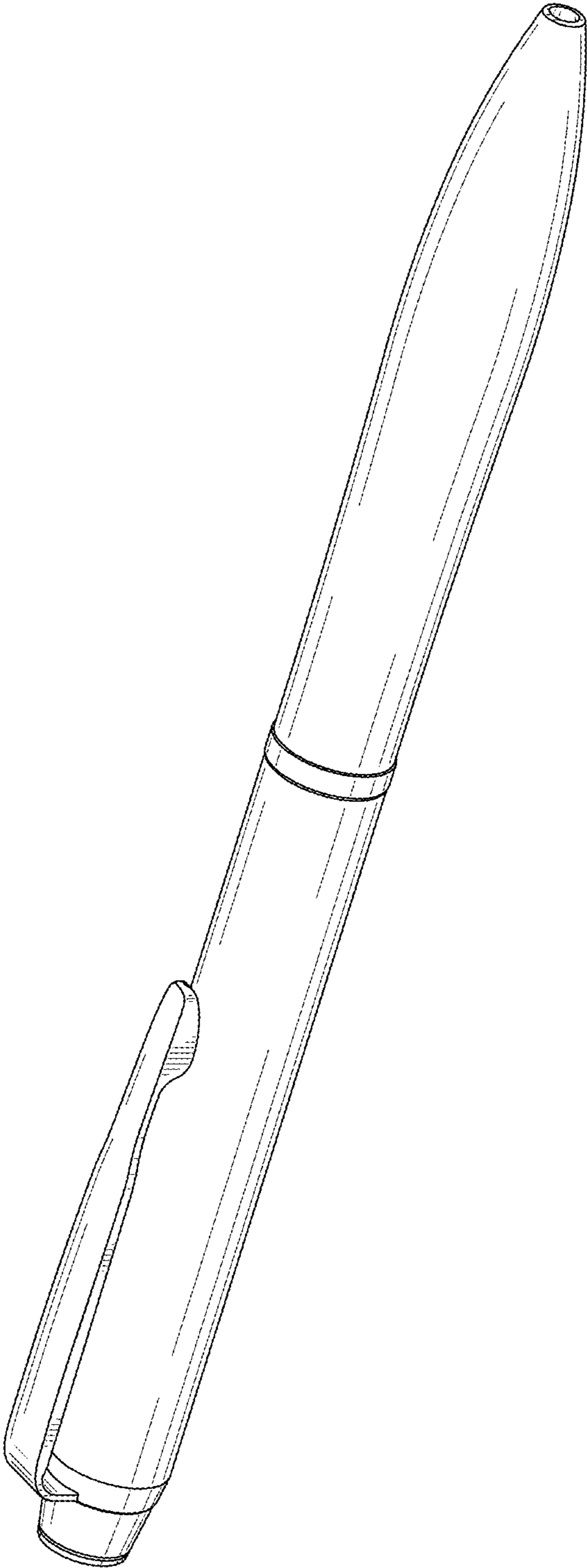


FIG. 1

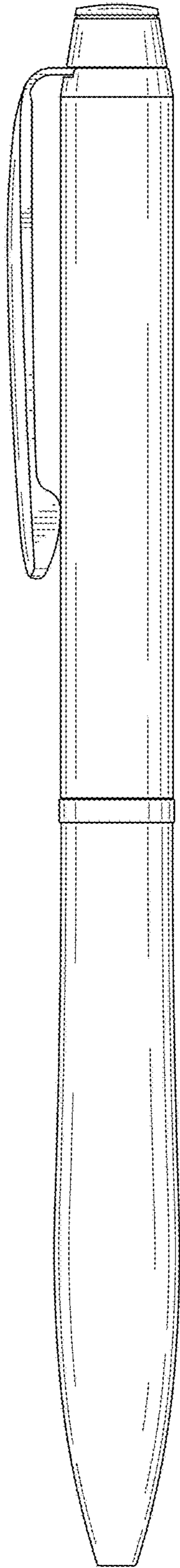


FIG. 2

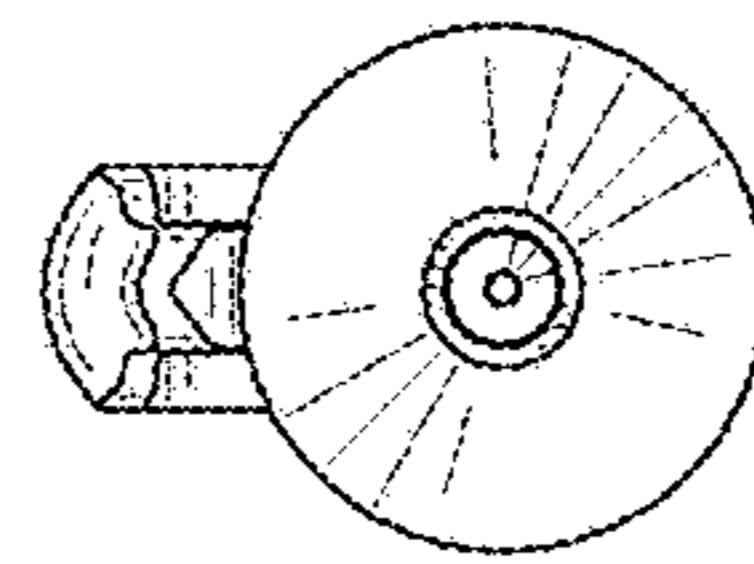


FIG. 3

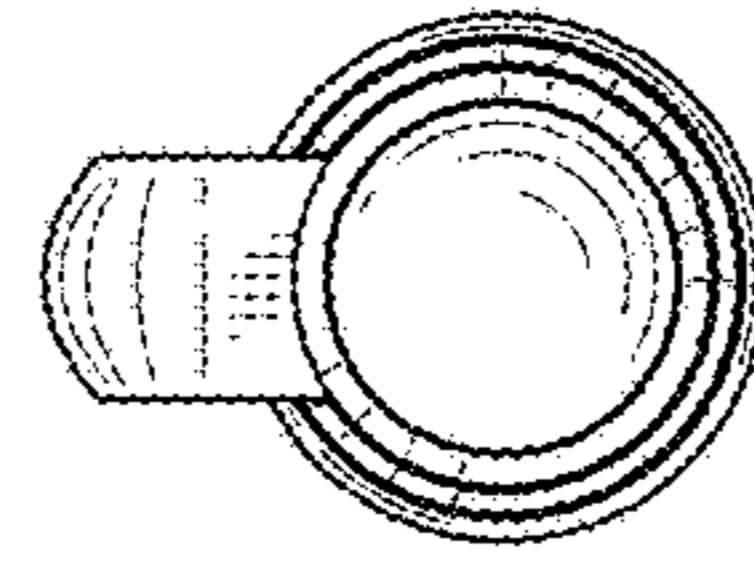


FIG. 4

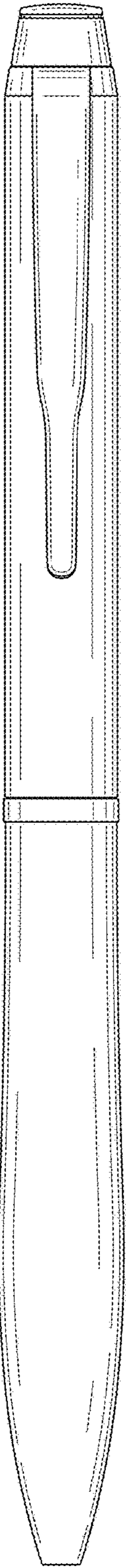


FIG. 5

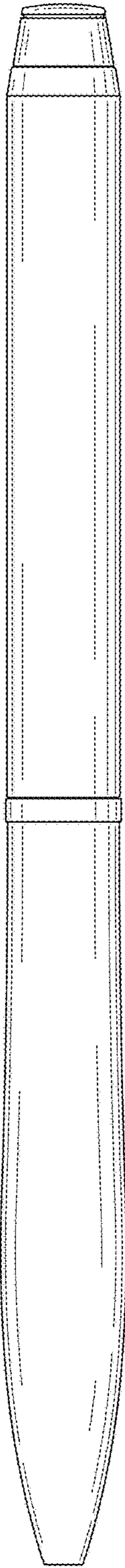


FIG. 6

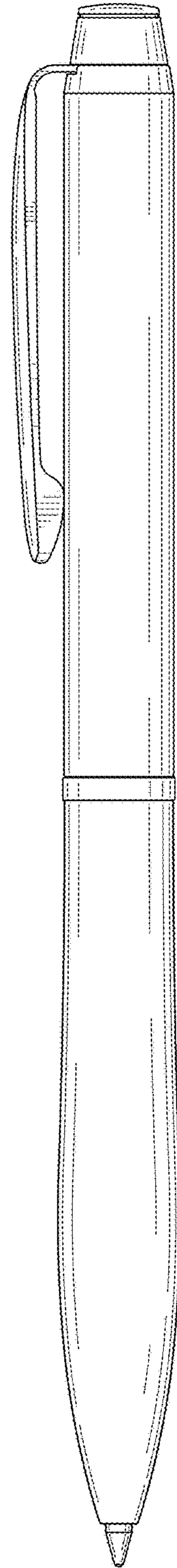


FIG. 7