



US00D786969S

(12) **United States Design Patent** (10) **Patent No.:** **US D786,969 S**  
**Brown et al.** (45) **Date of Patent:** **\*\* May 16, 2017**

- (54) **ACCESS DOOR OF A PRINTER**
- (71) Applicant: **Hewlett-Packard Development Company, L.P.**, Houston, TX (US)
- (72) Inventors: **Stephen G. Brown**, Houston, TX (US);  
**Dan R. Dwyer**, Vancouver, WA (US);  
**Peter G. Hwang**, Vancouver, WA (US);  
**Ki Jung Han**, Vancouver, WA (US)
- (73) Assignee: **Hewlett-Packard Development Company, L.P.**, Houston, TX (US)
- (\*\*) Term: **15 Years**
- (21) Appl. No.: **29/558,621**
- (22) Filed: **Mar. 18, 2016**
- (51) **LOC (10) Cl.** ..... **18-02**
- (52) **U.S. Cl.**  
USPC ..... **D18/56**
- (58) **Field of Classification Search**  
USPC ..... D10/24, 29, 46.1, 47, 50, 51, 52, 102,  
D10/106, 106.95; D18/18, 40, 43, 44,  
D18/56, 99; D19/190, 191, 192, 193  
CPC ... B41J 13/10; B41J 29/00; B41J 29/02; B41J  
29/18; G06F 3/12; G03G 21/16; G03G  
15/00  
See application file for complete search history.

- 2014/0292955 A1\* 10/2014 Kimura ..... B41J 2/175  
347/85
- 2015/0258827 A1\* 9/2015 Iwaya ..... B41J 29/02  
347/108
- 2016/0170388 A1\* 6/2016 Haas ..... G05B 15/02  
700/9

\* cited by examiner  
*Primary Examiner* — Manpreet Matharu  
*Assistant Examiner* — Suzanne Tisdell  
(74) *Attorney, Agent, or Firm* — Morgan, Lewis & Bockius LLP

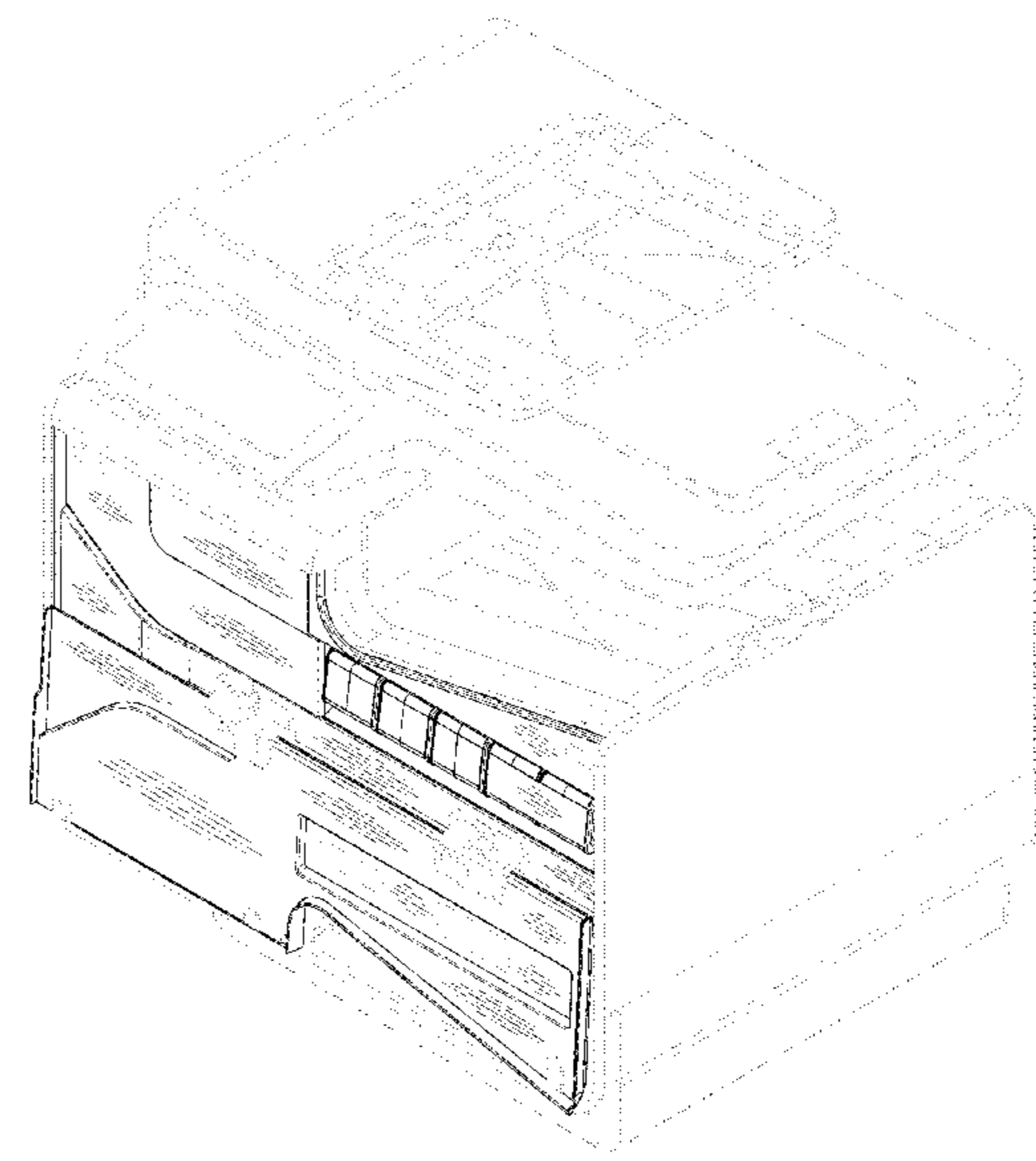
(57) **CLAIM**  
The ornamental design for an access door of a printer, as shown and described.

**DESCRIPTION**

FIG. 1 is a front, left, top, perspective view of an access door of a printer showing our new design;  
FIG. 2 is a front, right, top, perspective view of the access door of a printer shown in FIG. 1;  
FIG. 3 is a front, left, bottom, perspective view of the access door of a printer shown in FIG. 1;  
FIG. 4 is a front, right, bottom, perspective view of the access door of a printer shown in FIG. 1;  
FIG. 5 is a front elevational view of the access door of a printer shown in FIG. 1;  
FIG. 6 is a left-side elevational view of the access door of a printer shown in FIG. 1;  
FIG. 7 is a right-side elevational view of the access door of a printer or shown in FIG. 1;  
FIG. 8 is a top plan view of the access door of a printer shown in FIG. 1; and,  
FIG. 9 is a bottom plan view of the access door of a printer shown in FIG. 1.  
The broken lines shown in the drawings represent portions of the access door of a printer that form no part of the claimed design.

**1 Claim, 9 Drawing Sheets**

- (56) **References Cited**  
U.S. PATENT DOCUMENTS  
D464,373 S \* 10/2002 Hwang ..... D18/50  
D477,840 S \* 7/2003 Dwyer ..... D18/56  
D508,074 S \* 8/2005 Batori ..... D18/40  
D509,239 S \* 9/2005 Ishii ..... D18/40  
D584,344 S \* 1/2009 Lee ..... D18/43  
D761,352 S \* 7/2016 Tanaka ..... D18/56



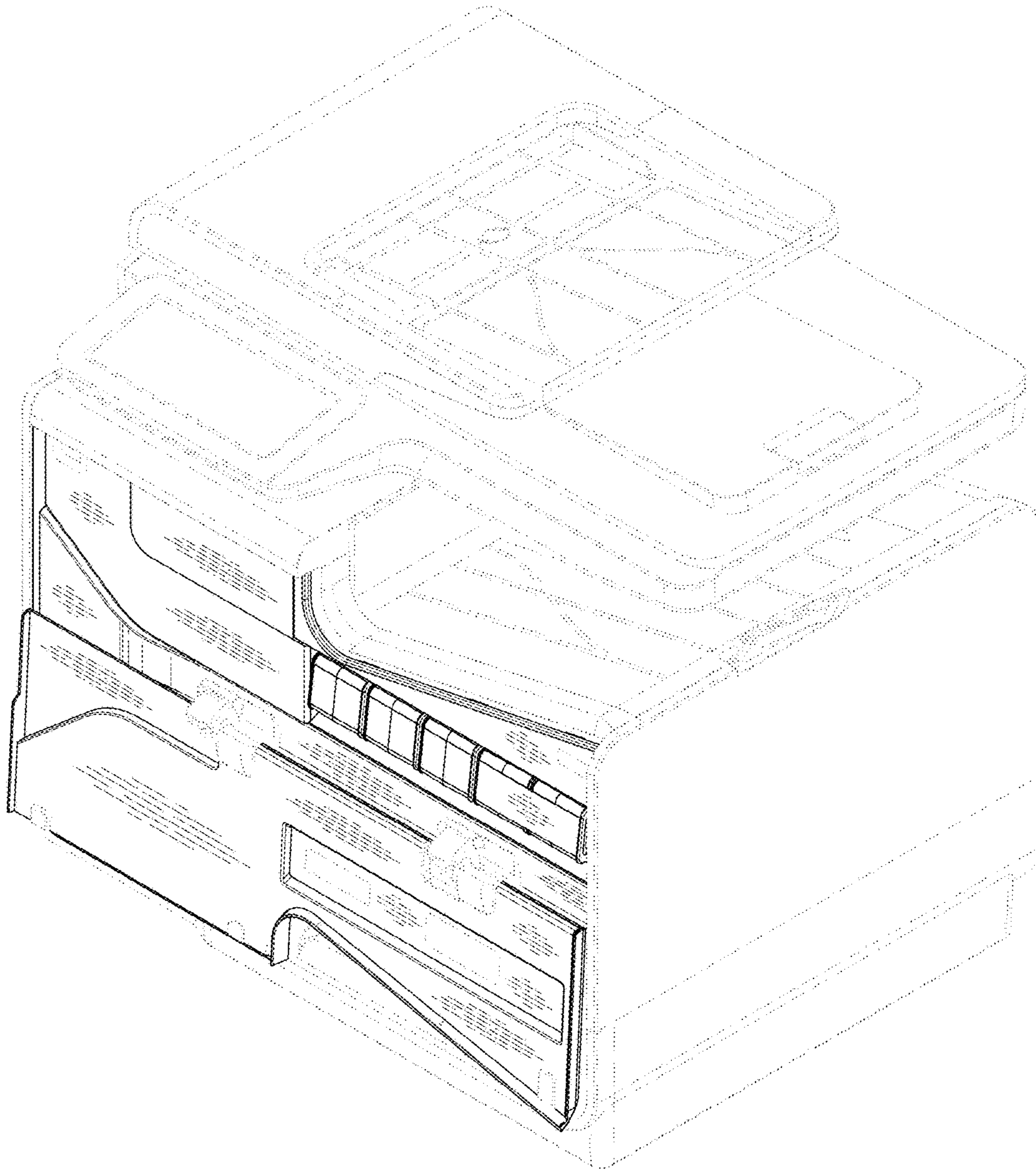


FIG. 1

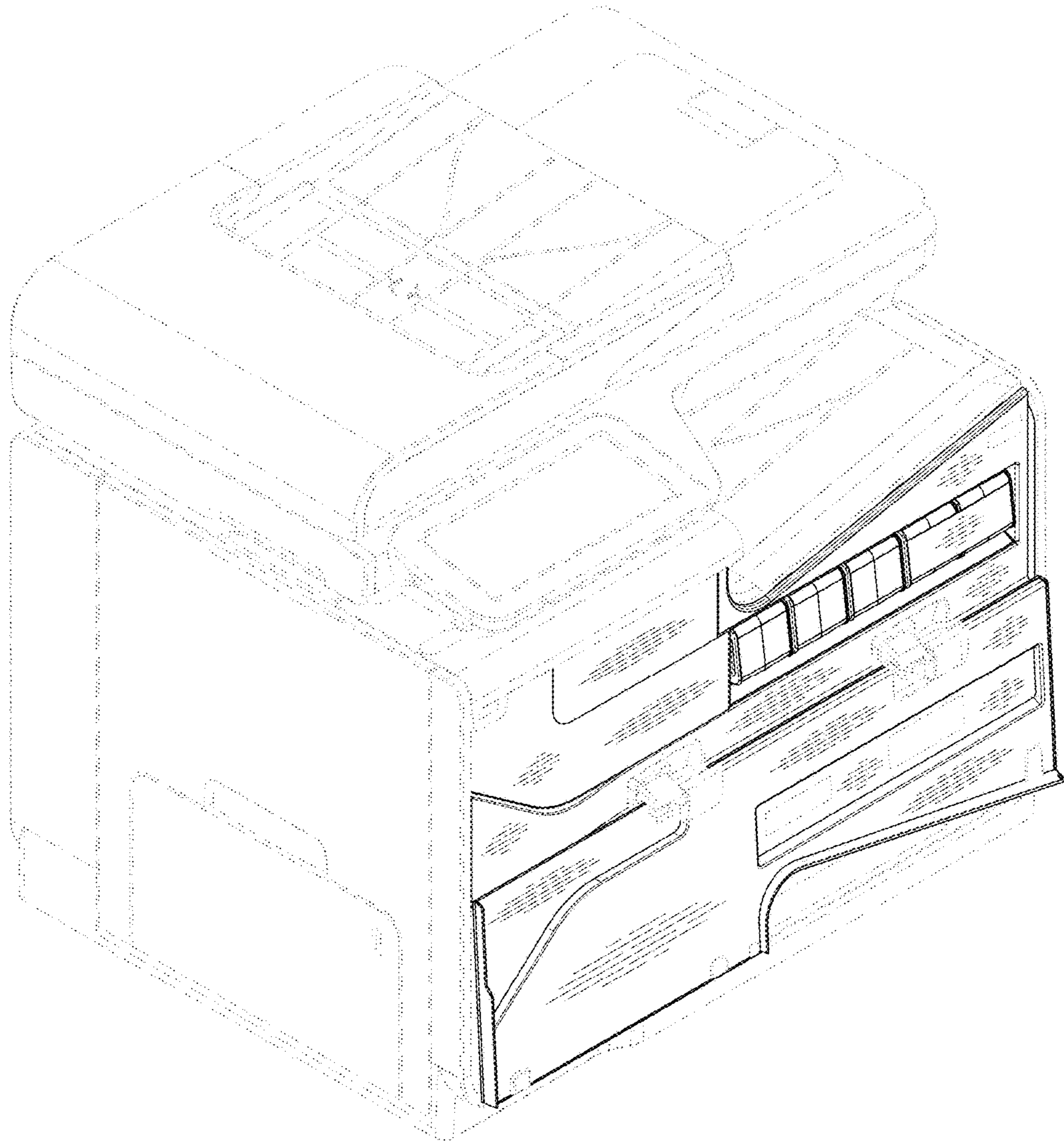


FIG. 2

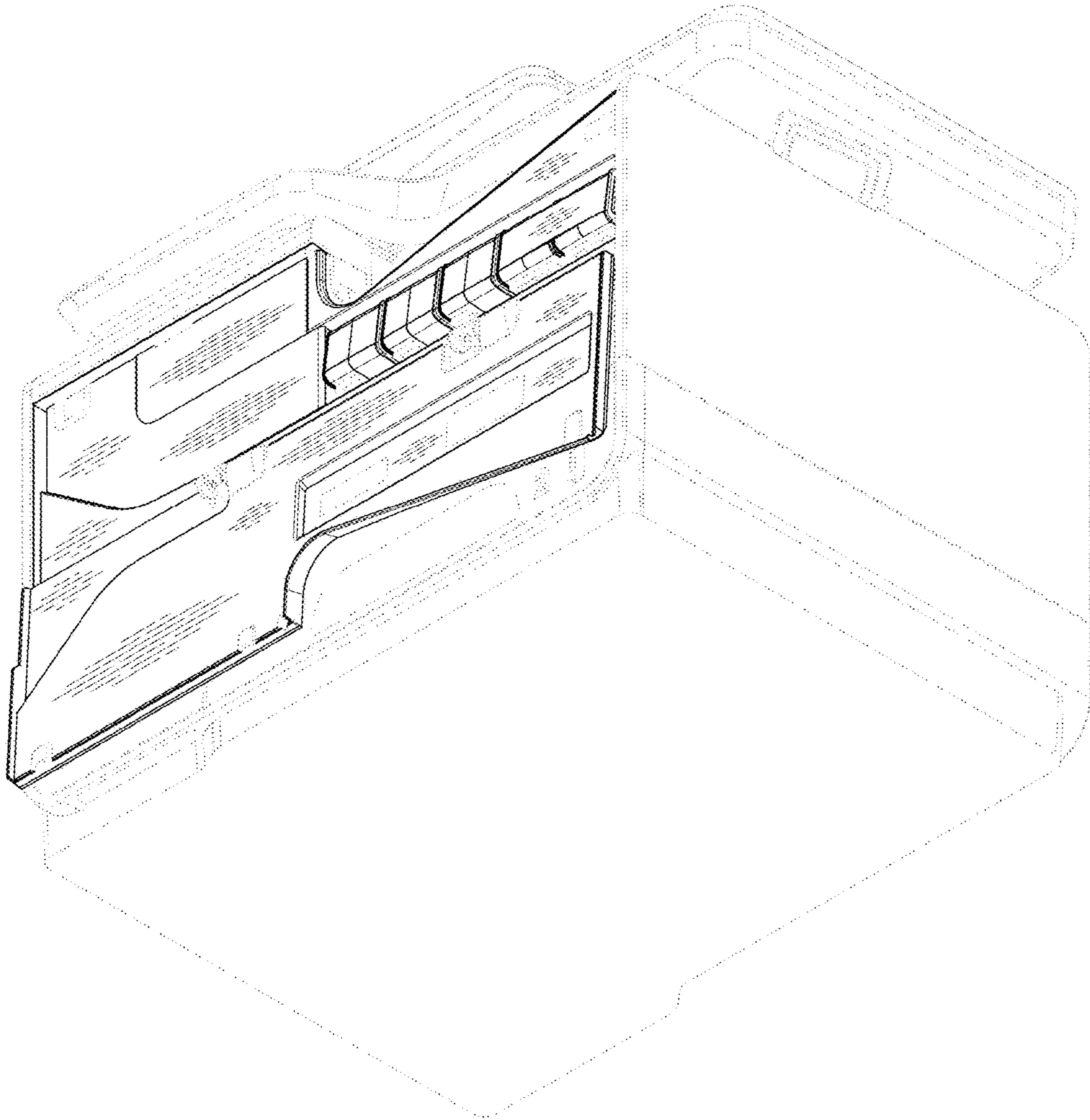


FIG. 3

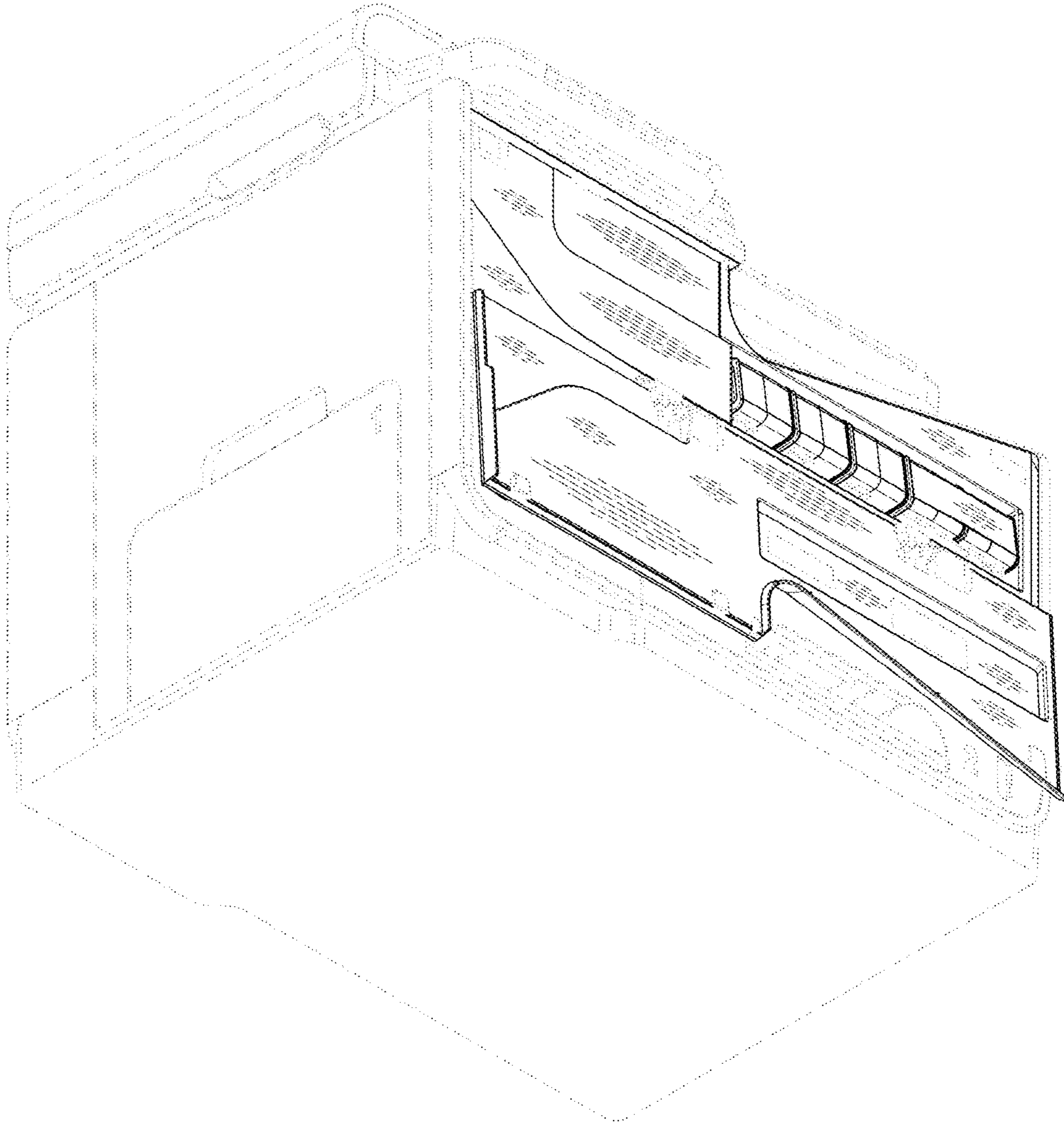


FIG. 4

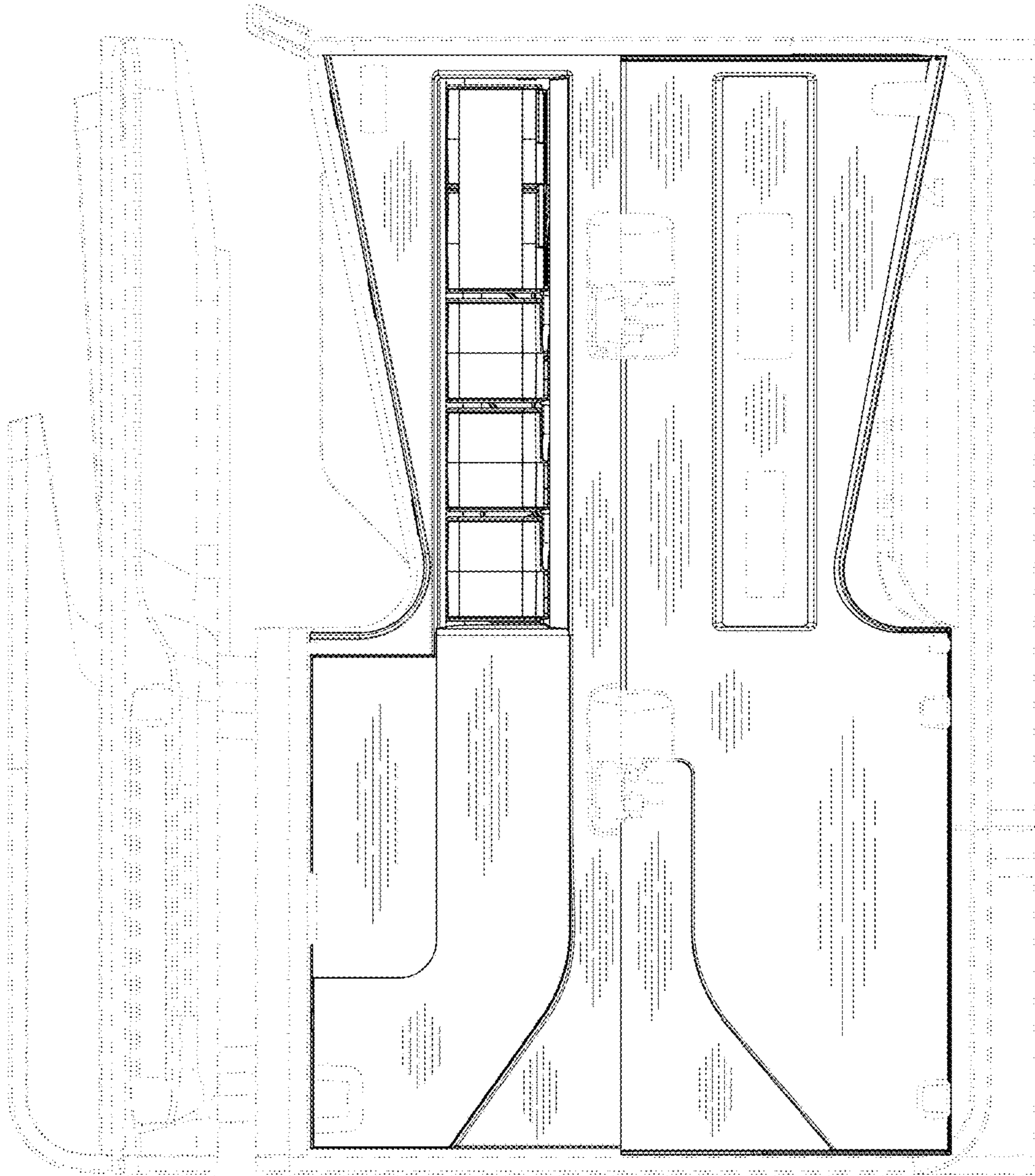


FIG. 5

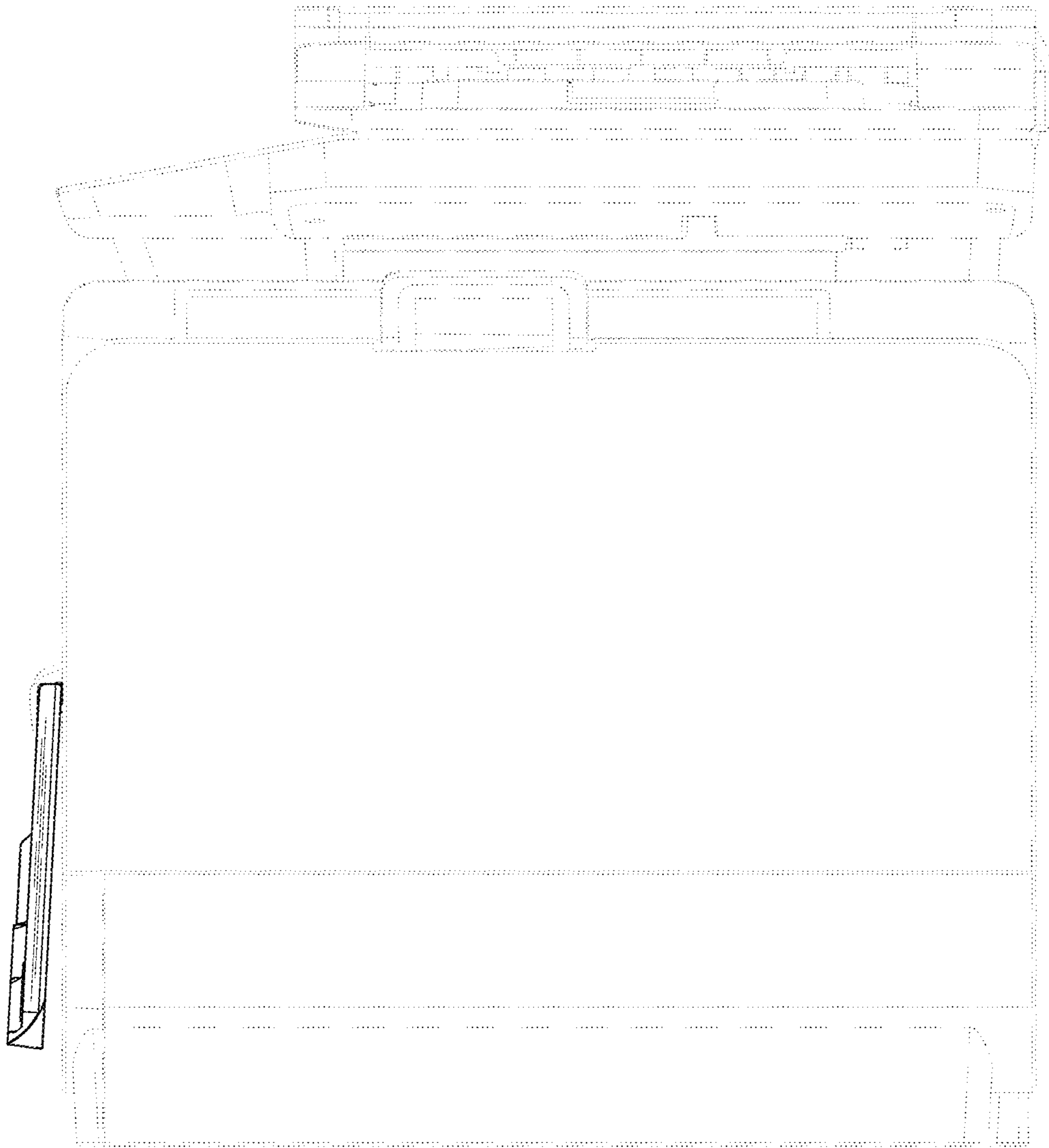


FIG. 6

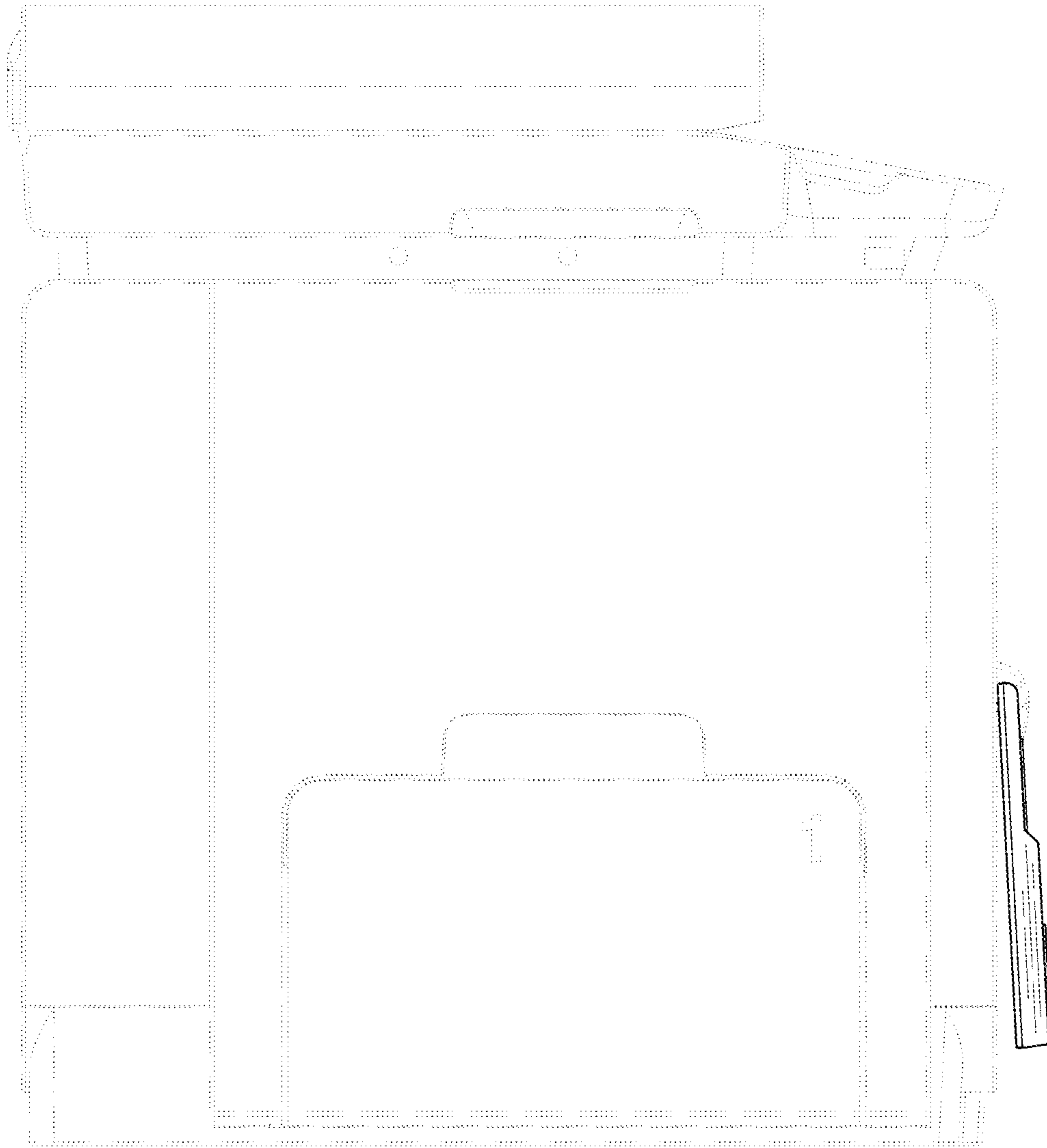


FIG. 7



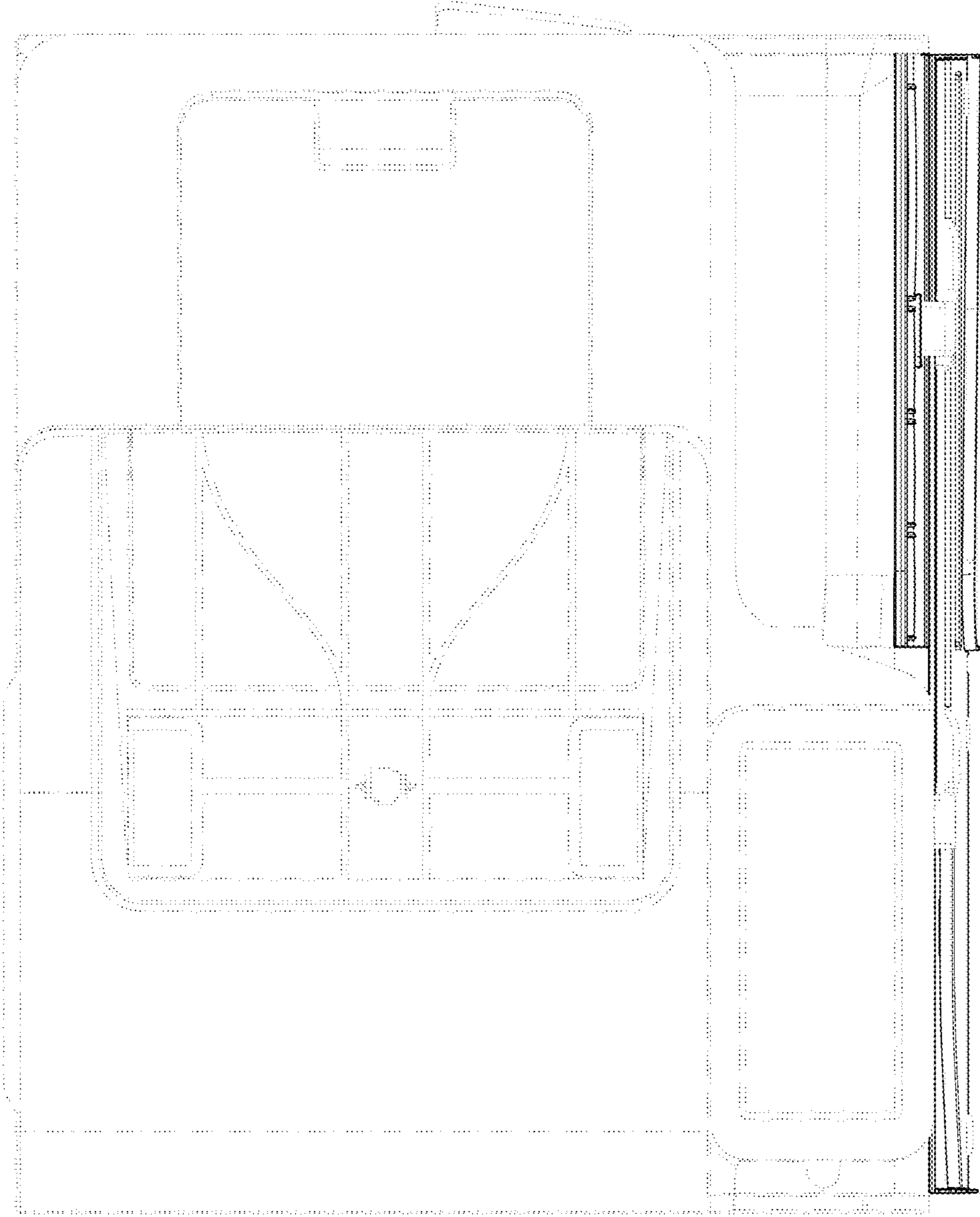


FIG. 8

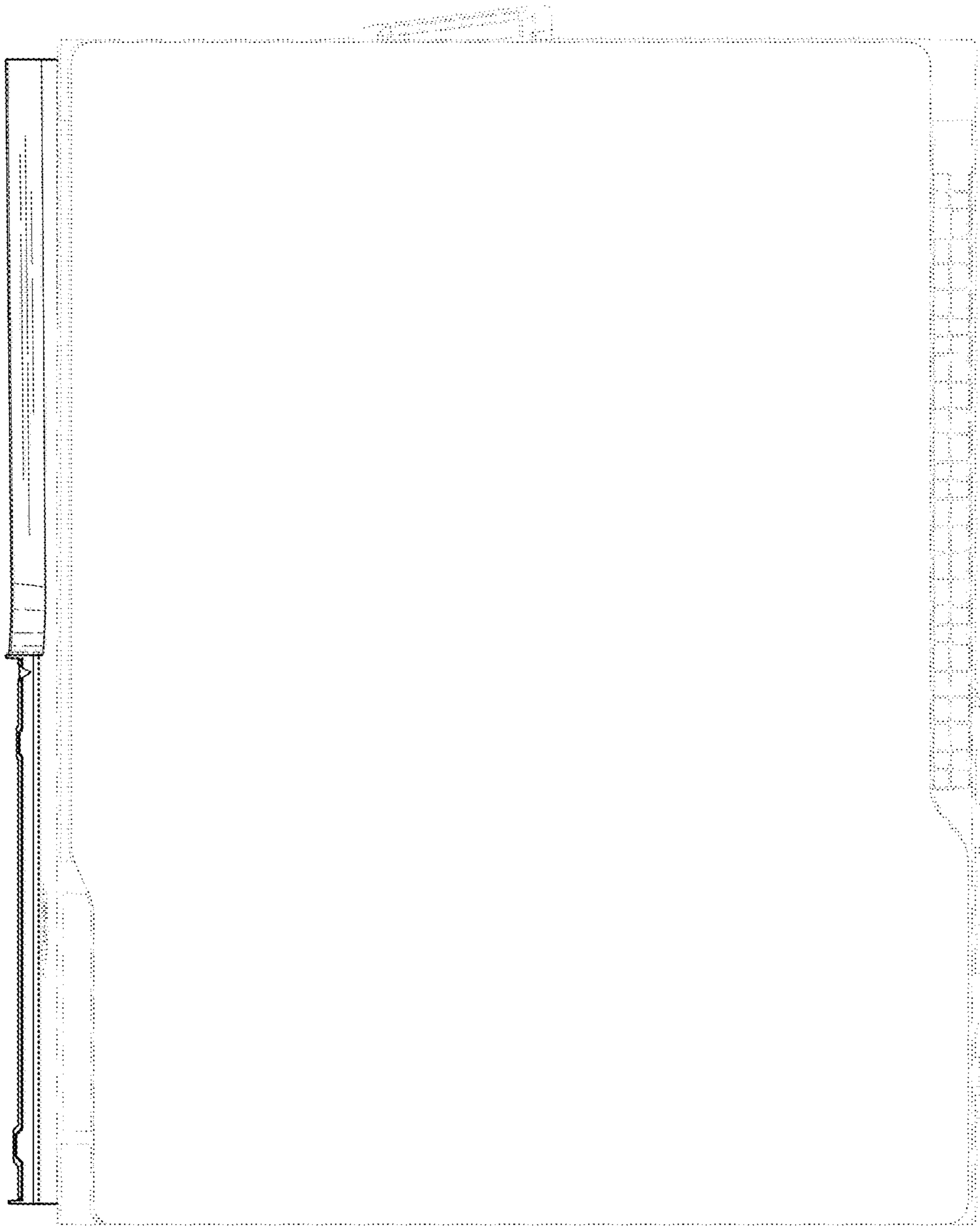


FIG. 9