



US00D786968S

(12) **United States Design Patent** (10) **Patent No.:** **US D786,968 S**
Uratani et al. (45) **Date of Patent:** **** May 16, 2017**

(54) **PROCESS CARTRIDGE FOR PRINTER**

OTHER PUBLICATIONS

(71) Applicant: **Canon Kabushiki Kaisha**, Ohta-ku, Tokyo (JP)

S. Uratani, U.S. Appl. No. 29/552,142, filed Jan. 20, 2016.
S. Uratani, U.S. Appl. No. 29/552,153, filed Jan. 20, 2016.

(72) Inventors: **Shunsuke Uratani**, Mishima (JP); **Takeshi Arimitsu**, Odawara (JP); **Ryoji Kusudo**, Yokohama (JP); **Isao Koishi**, Yokohama (JP); **Yu Fukasawa**, Nagareyama (JP); **Shigemi Kamoshida**, Tokyo (JP); **Ryota Shibuya**, Yokohama (JP); **Shohei Katsuya**, Tokyo (JP); **Naoki Hayashi**, Kawasaki (JP)

Primary Examiner — Manpreet Matharu
Assistant Examiner — Suzanne Tisdell
(74) *Attorney, Agent, or Firm* — Fitzpatrick, Cella, Harper & Scinto

(57) **CLAIM**

The ornamental design for a process cartridge for printer, as shown and described.

(73) Assignee: **Canon Kabushiki Kaisha**, Tokyo (JP)

DESCRIPTION

(**) Term: **15 Years**

(21) Appl. No.: **29/552,146**

(22) Filed: **Jan. 20, 2016**

(30) **Foreign Application Priority Data**

Jul. 22, 2015	(JP)	2015-016282
Jul. 22, 2015	(JP)	2015-016283
Jul. 22, 2015	(JP)	2015-016284

(51) **LOC (10) Cl.** **18-02**

(52) **U.S. Cl.**
USPC **D18/56**

(58) **Field of Classification Search**
USPC D10/24, 29, 46.1, 47, 50, 51, 52, 102, D10/106.95; D18/18, 40, 43, 44, 56, 99; D19/190, 191, 192, 193

(Continued)

(56) **References Cited**

U.S. PATENT DOCUMENTS

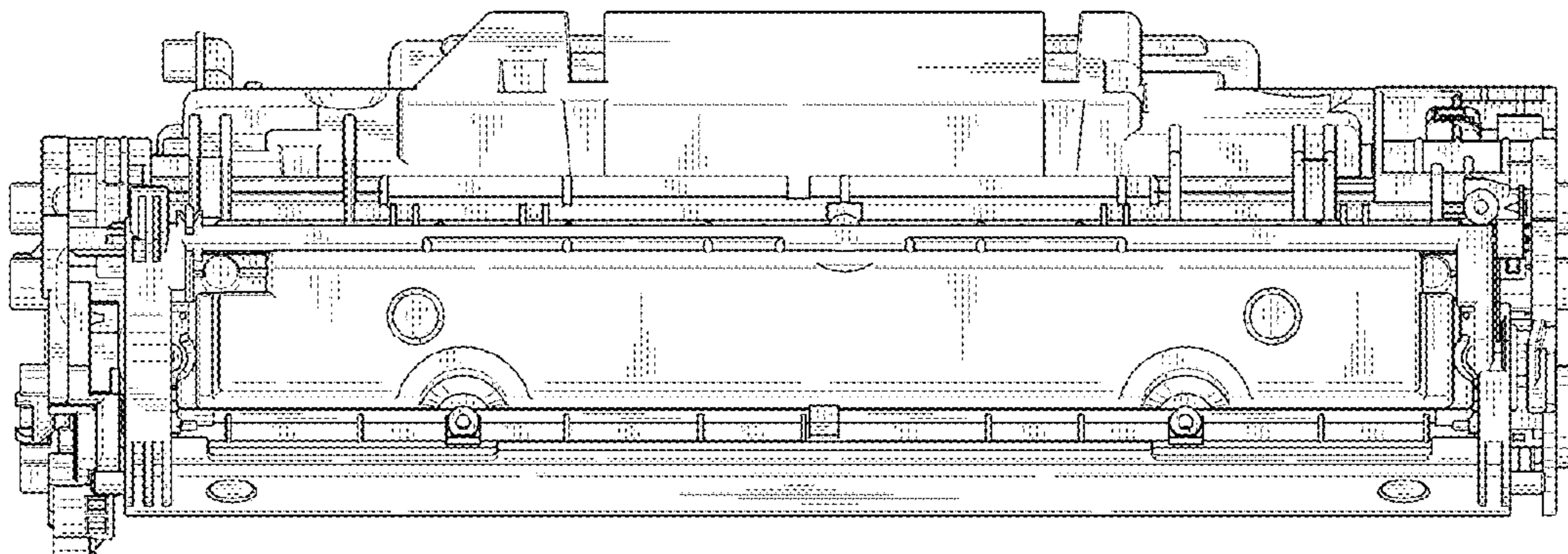
5,106,220 A * 4/1992 Ricca B41J 11/48 346/145

D355,136 S * 2/1995 Highman D10/49

(Continued)

FIG. 1 is a front view of a first embodiment of a process cartridge for printer;
 FIG. 2 is a rear view thereof;
 FIG. 3 is a top plan view thereof;
 FIG. 4 is a bottom plan view thereof;
 FIG. 5 is a left side view thereof;
 FIG. 6 is a right side view thereof;
 FIG. 7 is a front, top perspective view thereof;
 FIG. 8 is a rear, bottom perspective view thereof;
 FIG. 9 is a front view of a second embodiment of a process cartridge for printer;
 FIG. 10 is a rear view thereof;
 FIG. 11 is a top plan view thereof;
 FIG. 12 is a bottom plan view thereof;
 FIG. 13 is a left side view thereof;
 FIG. 14 is a right side view thereof;
 FIG. 15 is a front, top perspective view thereof;
 FIG. 16 is a rear, bottom perspective view thereof;
 FIG. 17 is a front view of a third embodiment of a process cartridge for printer;
 FIG. 18 is a rear view thereof;
 FIG. 19 is a top plan view thereof;
 FIG. 20 is a bottom plan view thereof;
 FIG. 21 is a left side view thereof;
 FIG. 22 is a right side view thereof;
 FIG. 23 is a front, top perspective view thereof; and,
 FIG. 24 is a rear, bottom perspective view thereof.

(Continued)



The broken lines depict environmental subject matter only and form no part of the claimed design.

1 Claim, 24 Drawing Sheets

(58) Field of Classification Search

CPC ... B41J 13/10; B41J 29/00; B41J 29/02; B41J 29/18; G06F 3/12; G03G 21/16; G03G 15/00

See application file for complete search history.

(56) References Cited

U.S. PATENT DOCUMENTS

D489,753	S	5/2004	Batori et al.	D18/40
D490,846	S *	6/2004	Suzuki	D18/56
D508,074	S	8/2005	Batori et al.	D18/40
D519,150	S *	4/2006	Kojima	D18/40
D549,280	S *	8/2007	Morino	347/86
D588,192	S *	3/2009	Han	D18/43
D590,439	S *	4/2009	Kikuchi	D18/40
D595,343	S *	6/2009	Ishikawa	D18/43
D598,049	S *	8/2009	Park	D18/43

D622,308	S	8/2010	Kubota et al.	D18/43
D622,309	S	8/2010	Kubota et al.	D18/43
D639,335	S *	6/2011	Kanno	D18/43
D652,072	S *	1/2012	Han	D18/43
D653,283	S *	1/2012	Eto	D18/43
D656,183	S *	3/2012	Nanjo	D18/56
D658,228	S *	4/2012	Maeshima	D18/43
D659,188	S *	5/2012	Kanbe	D18/56
D667,491	S *	9/2012	Williamson	D18/56
D668,289	S *	10/2012	Yamaguchi	D18/43
D675,252	S *	1/2013	Harvey	D18/56
D676,767	S *	2/2013	Tamborra	D10/49
D686,278	S *	7/2013	Ito	D18/56
D692,945	S *	11/2013	Noh	D18/43
D728,012	S *	4/2015	Yoshii	D18/43
D734,181	S *	7/2015	Matsuguma	D10/52
D745,833	S *	12/2015	Counts	D10/106.95
D753,761	S *	4/2016	Massaro, Jr.	D18/43
D754,247	S *	4/2016	Lee	D18/43
D755,888	S *	5/2016	Lee	D18/43
D757,161	S *	5/2016	Takahashi	D18/43
D761,908	S *	7/2016	Takagiwa	D18/56
D767,020	S *	9/2016	Su	D18/56
2016/0052290	A1 *	2/2016	Takahashi	B41J 2/17566 347/7
2016/0243864	A1 *	8/2016	Kurita	B41J 29/02

* cited by examiner

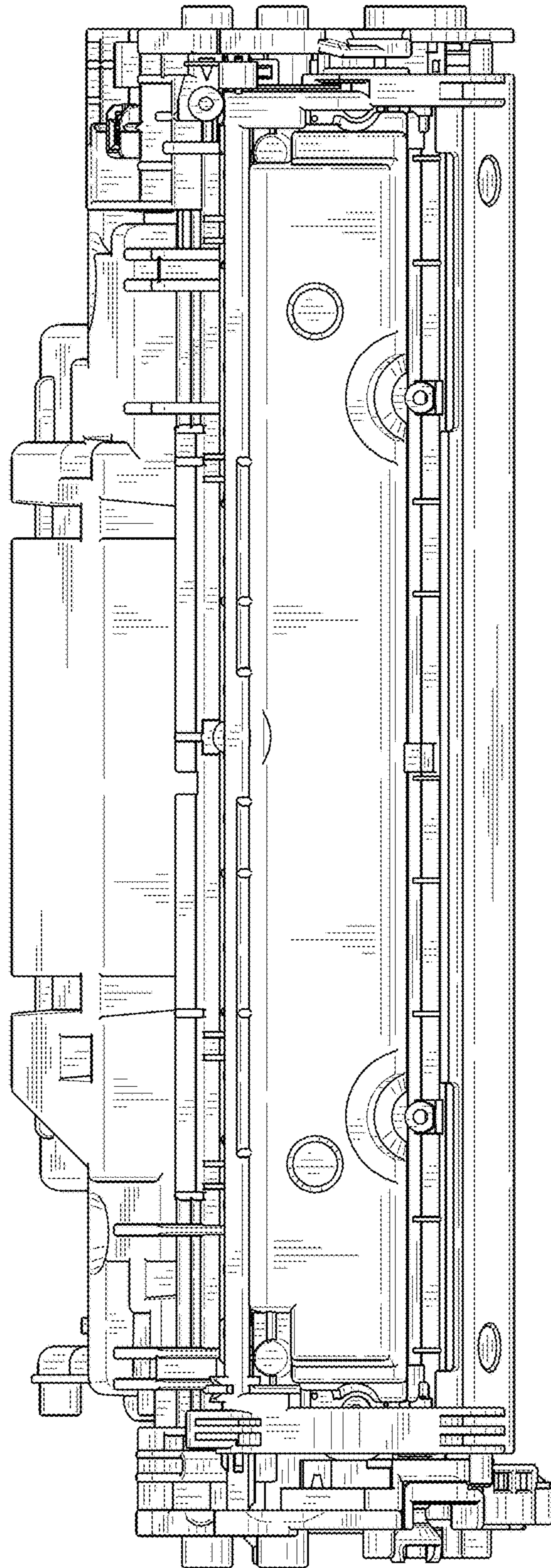


FIG. 1

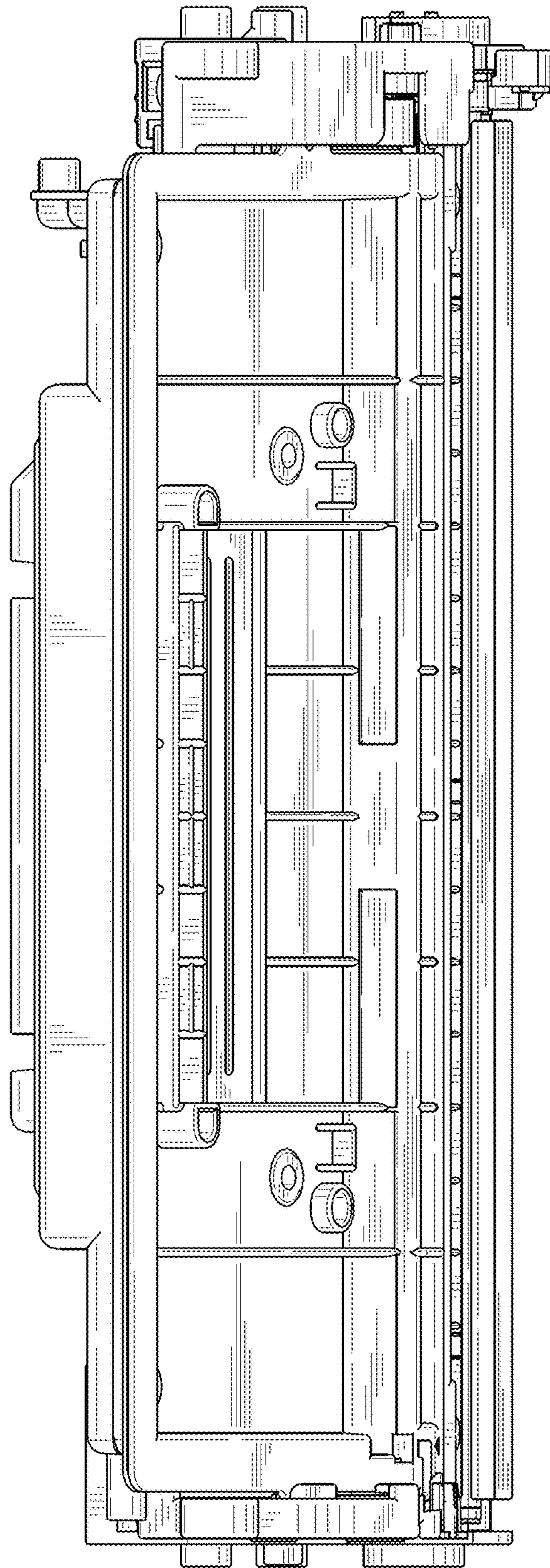


FIG. 2

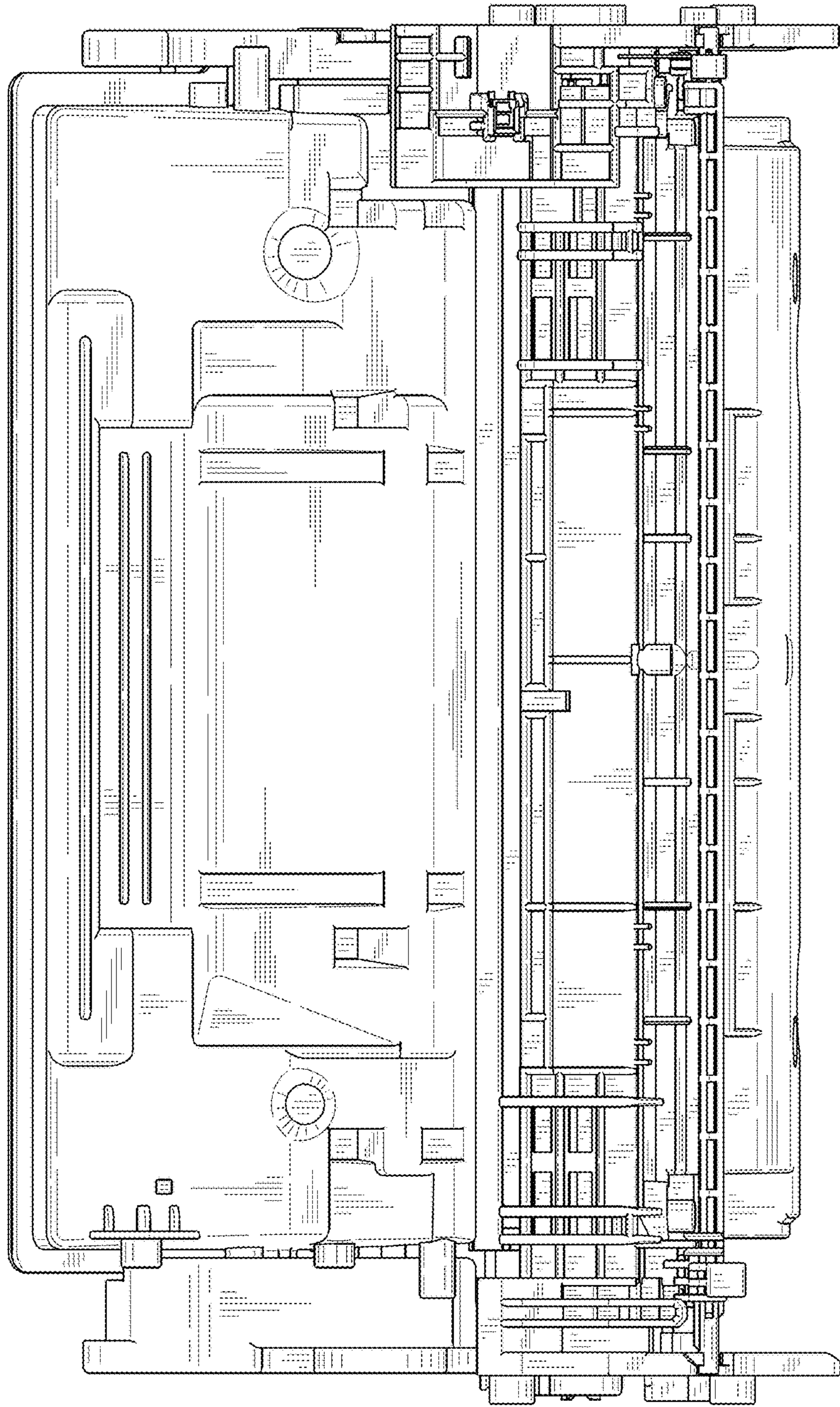


FIG. 3

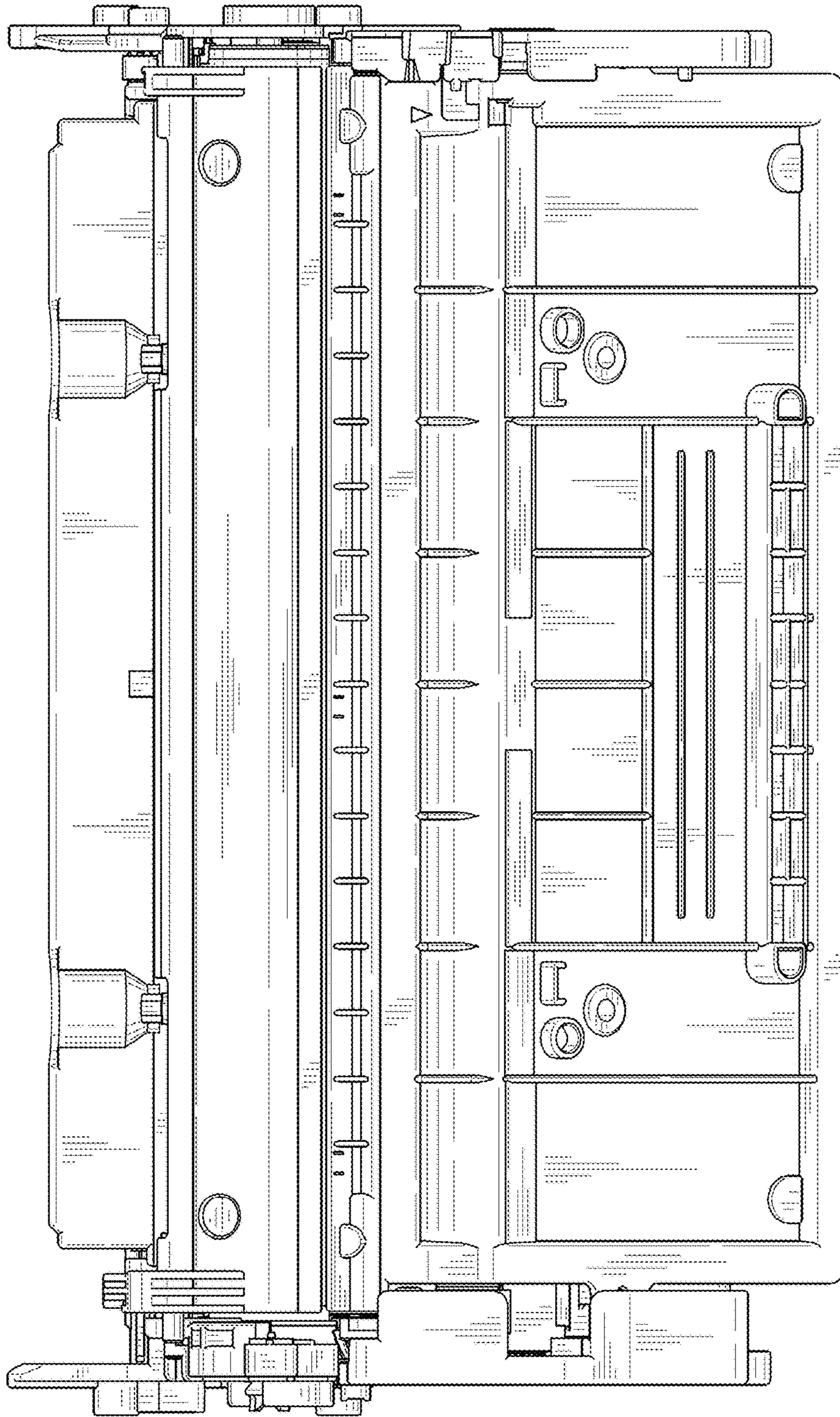


FIG. 4

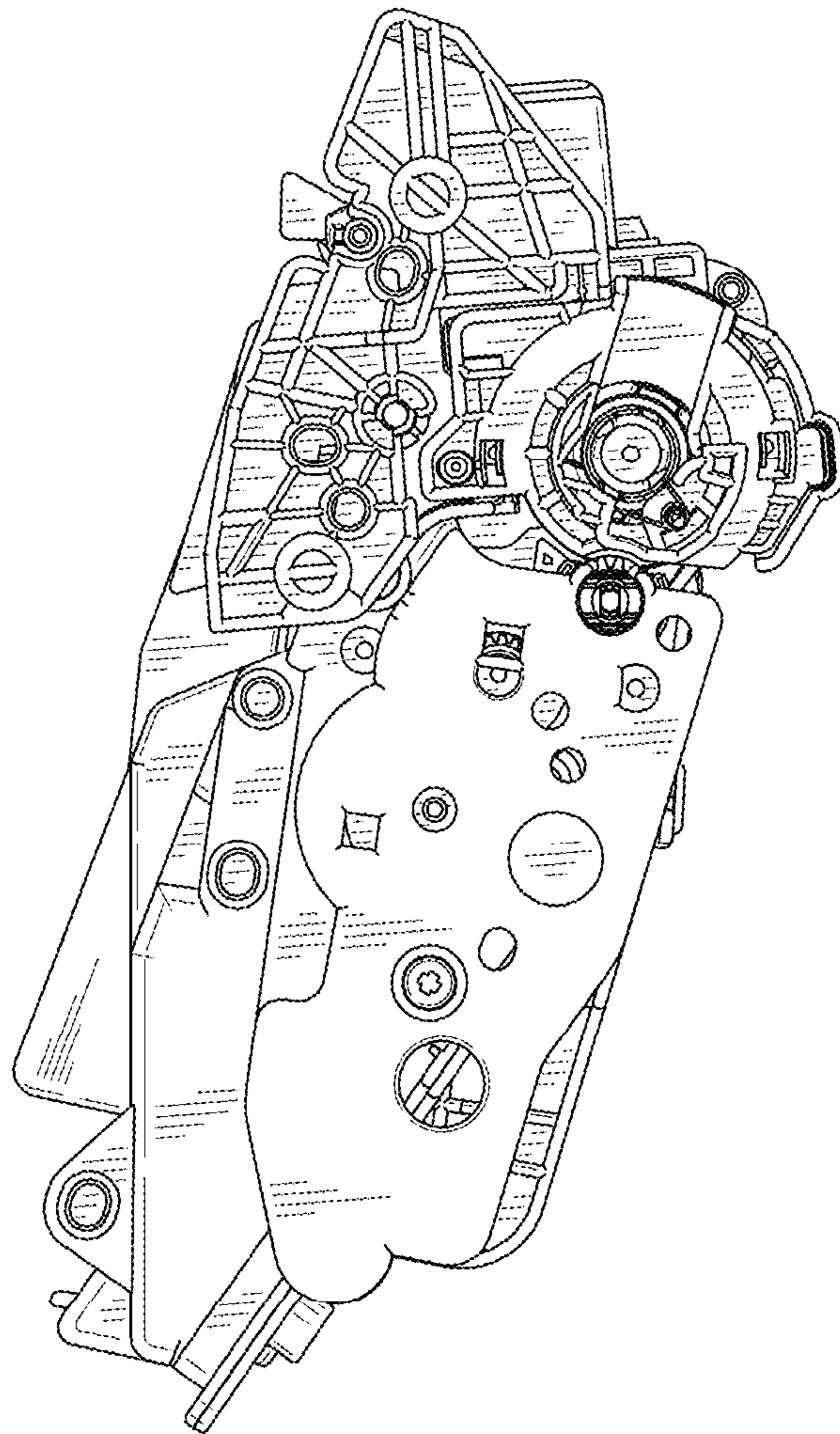


FIG. 5

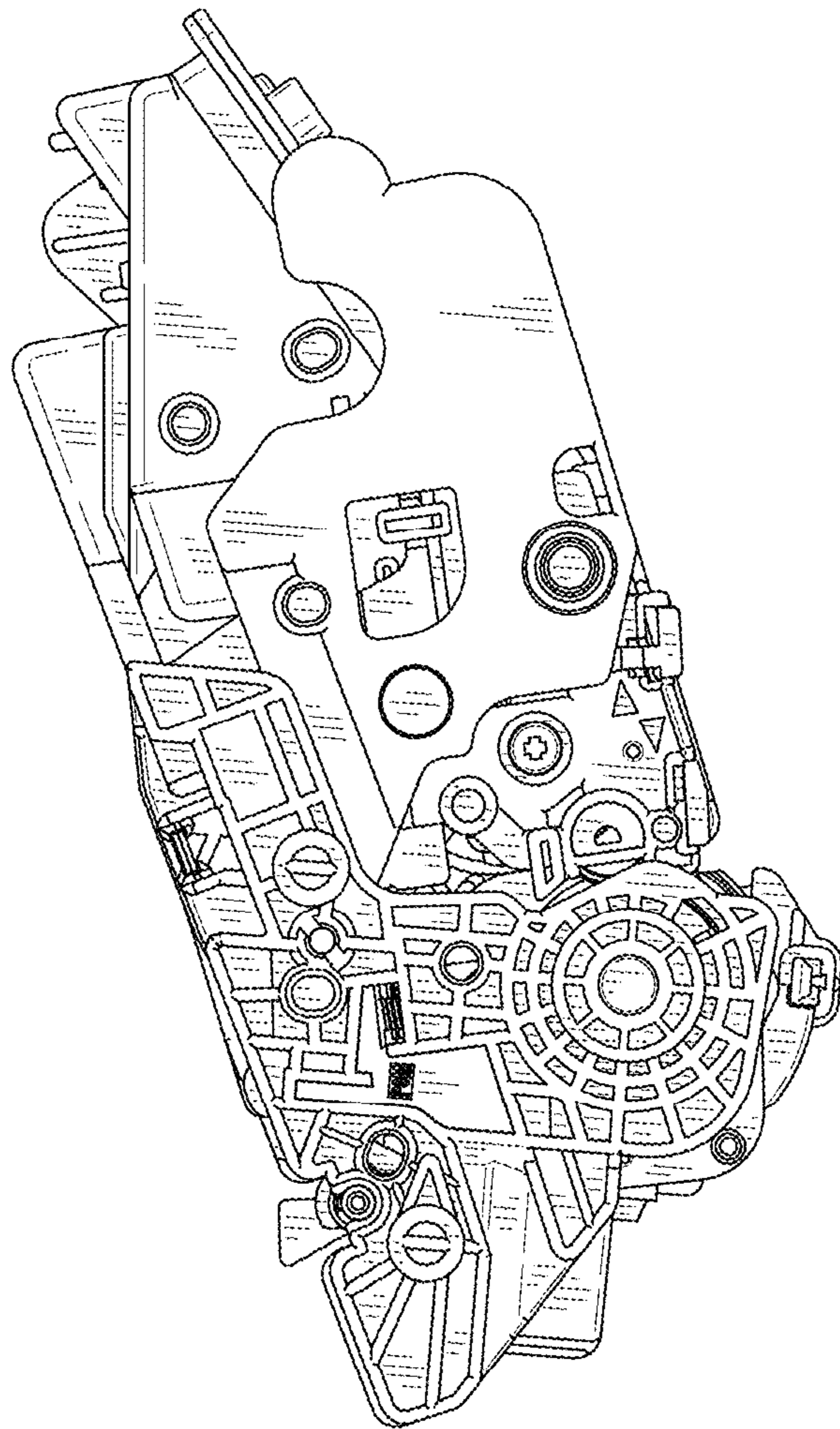


FIG. 6

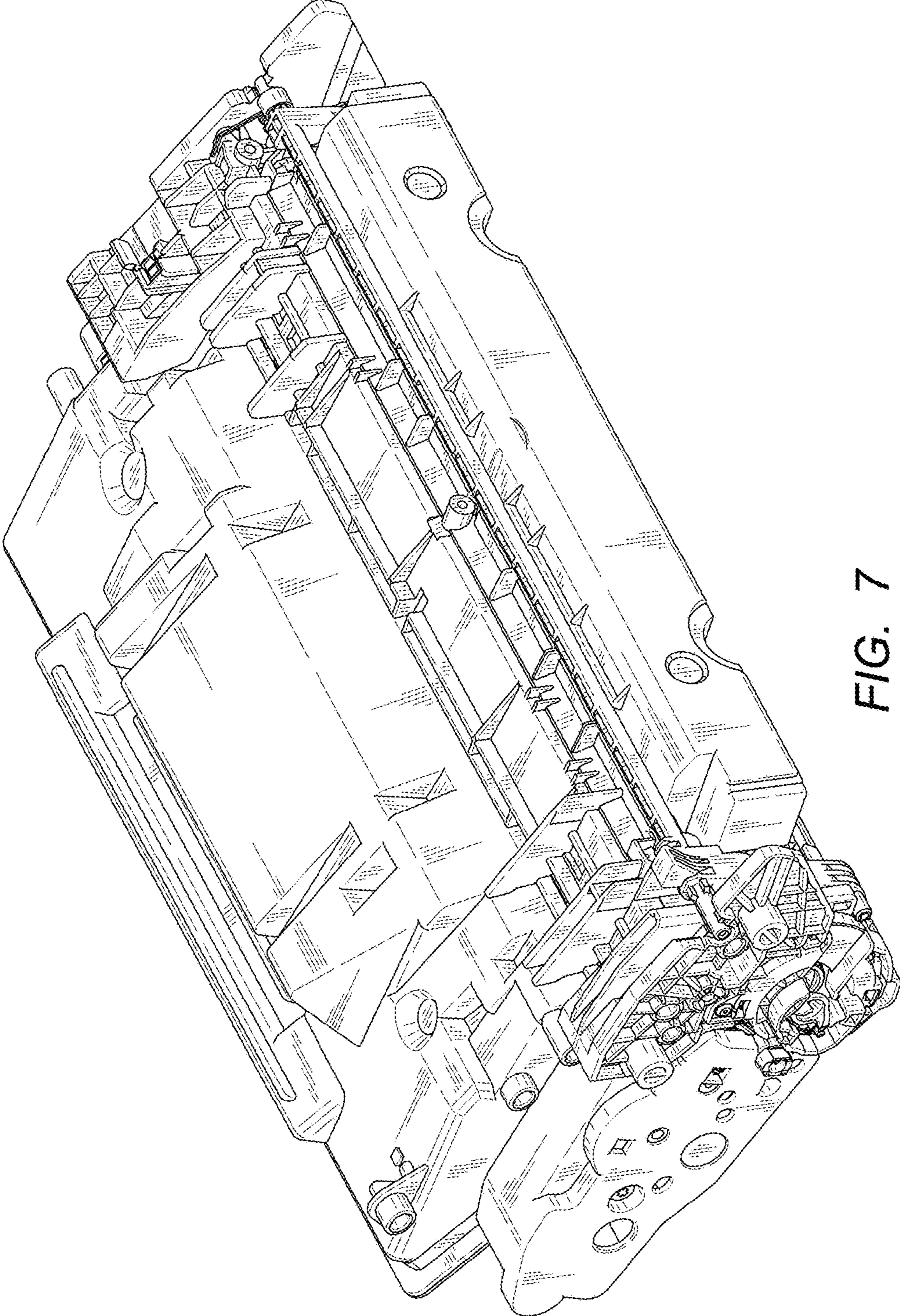


FIG. 7

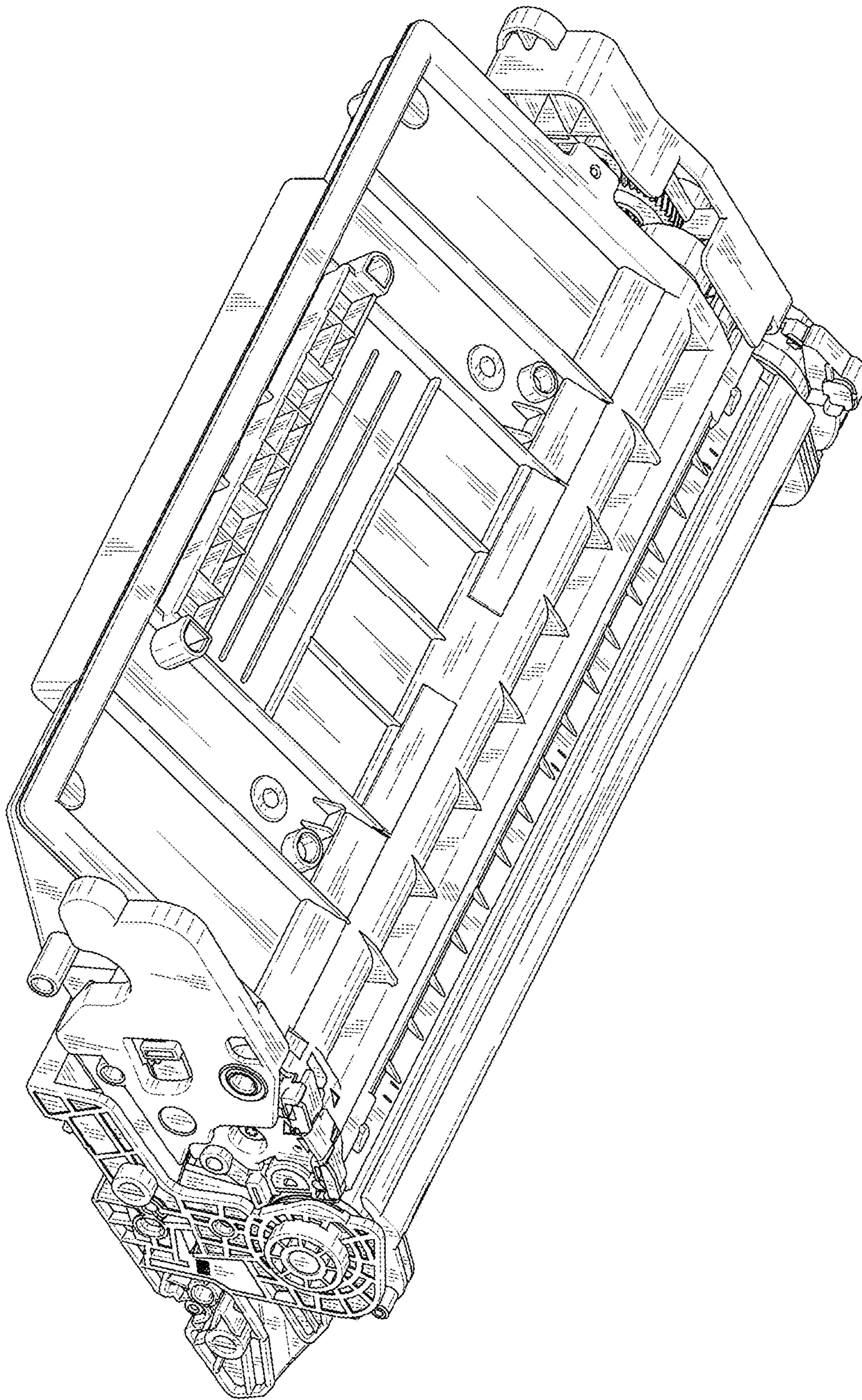


FIG. 8

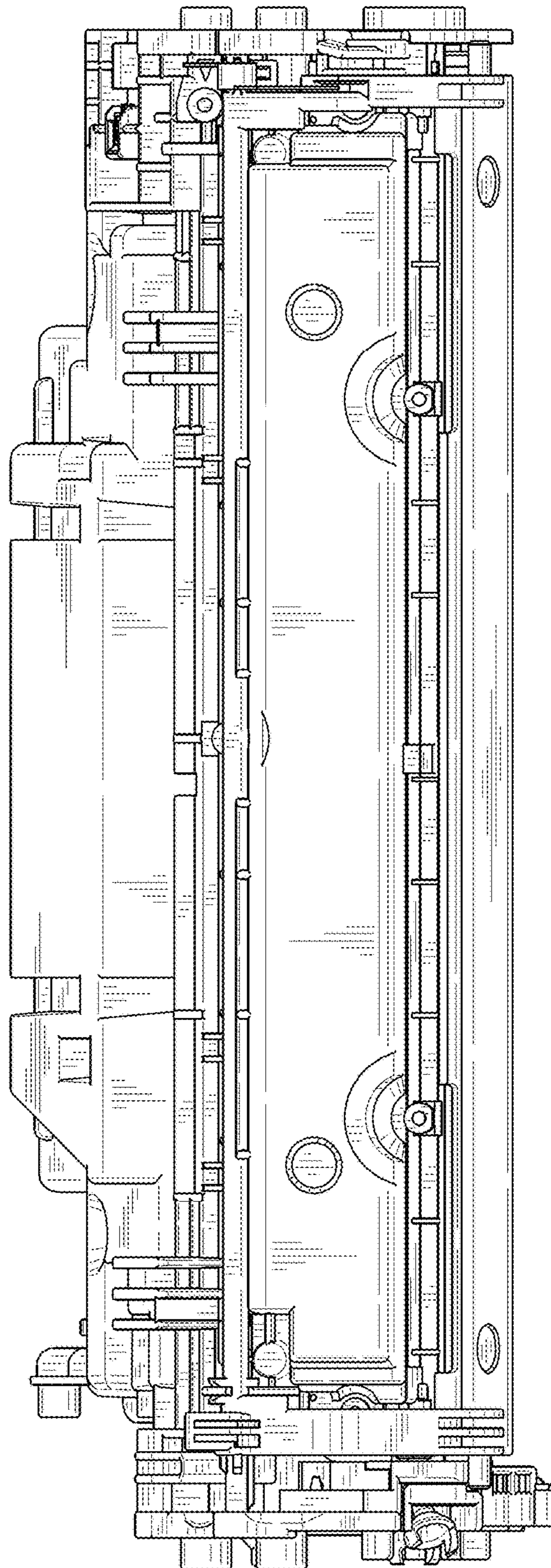


FIG. 9

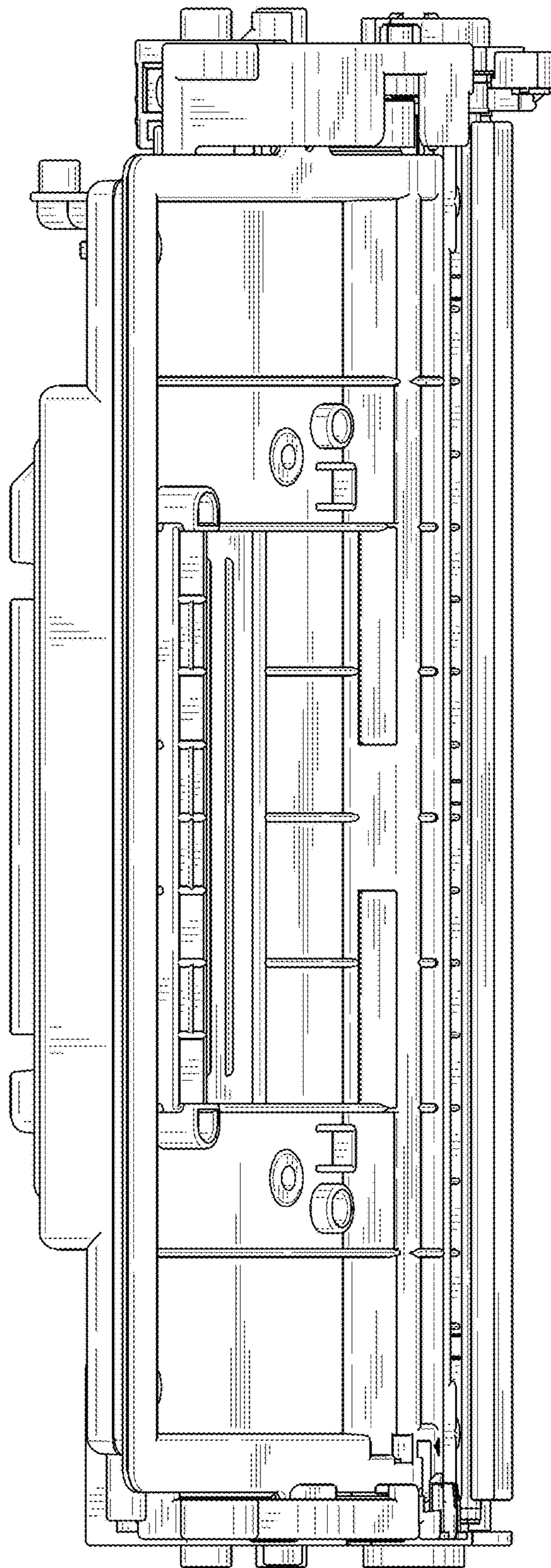


FIG. 10

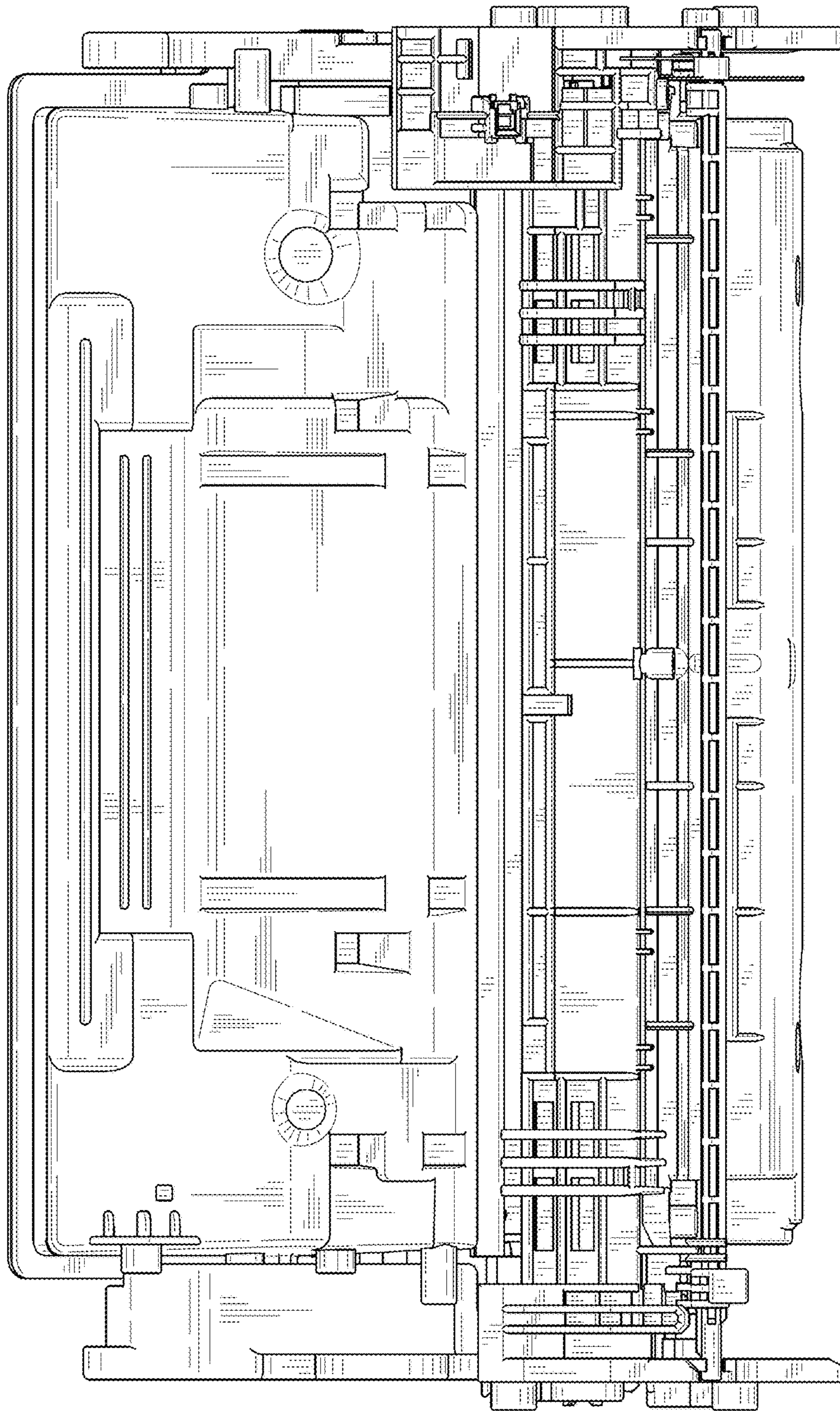


FIG. 11

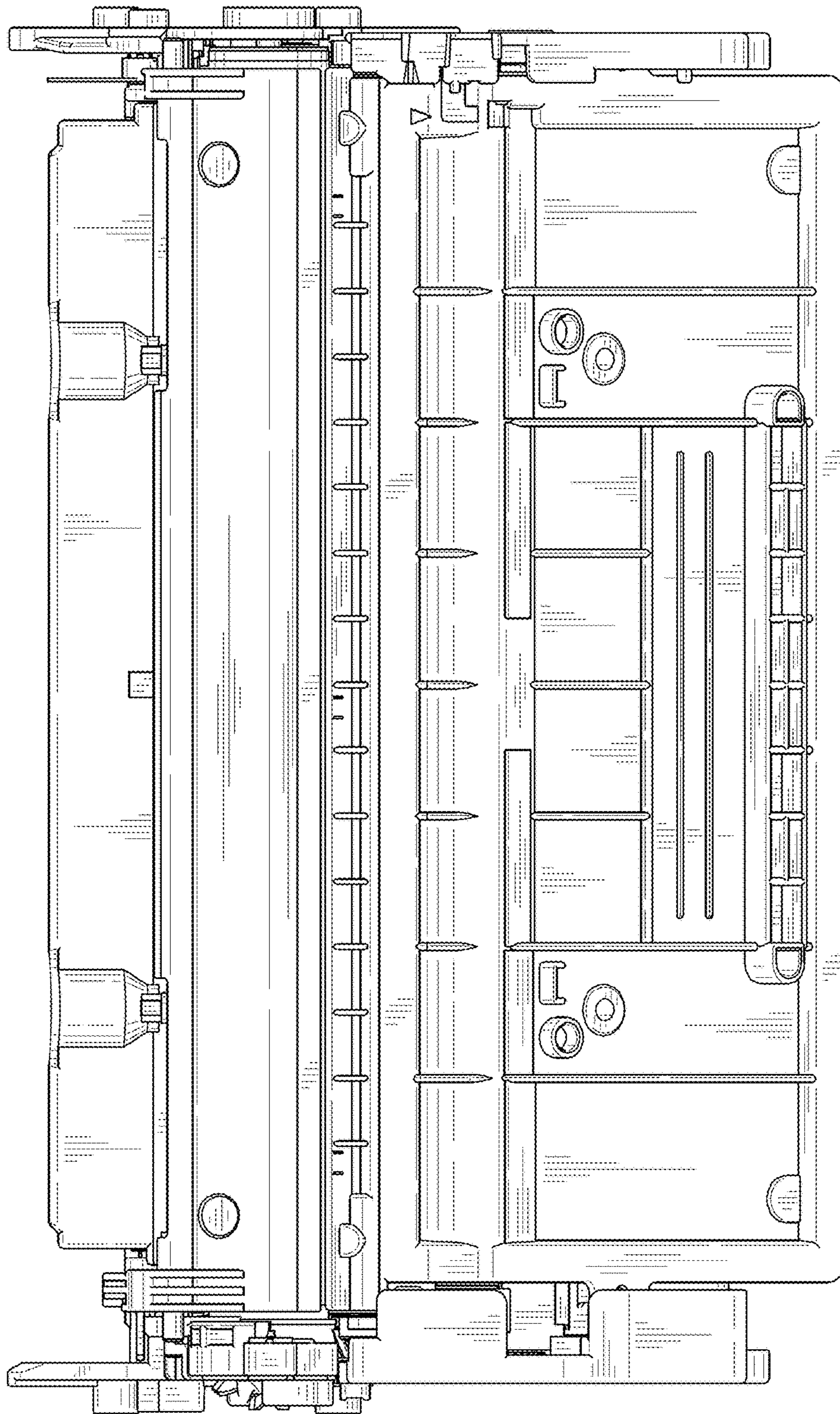


FIG. 12

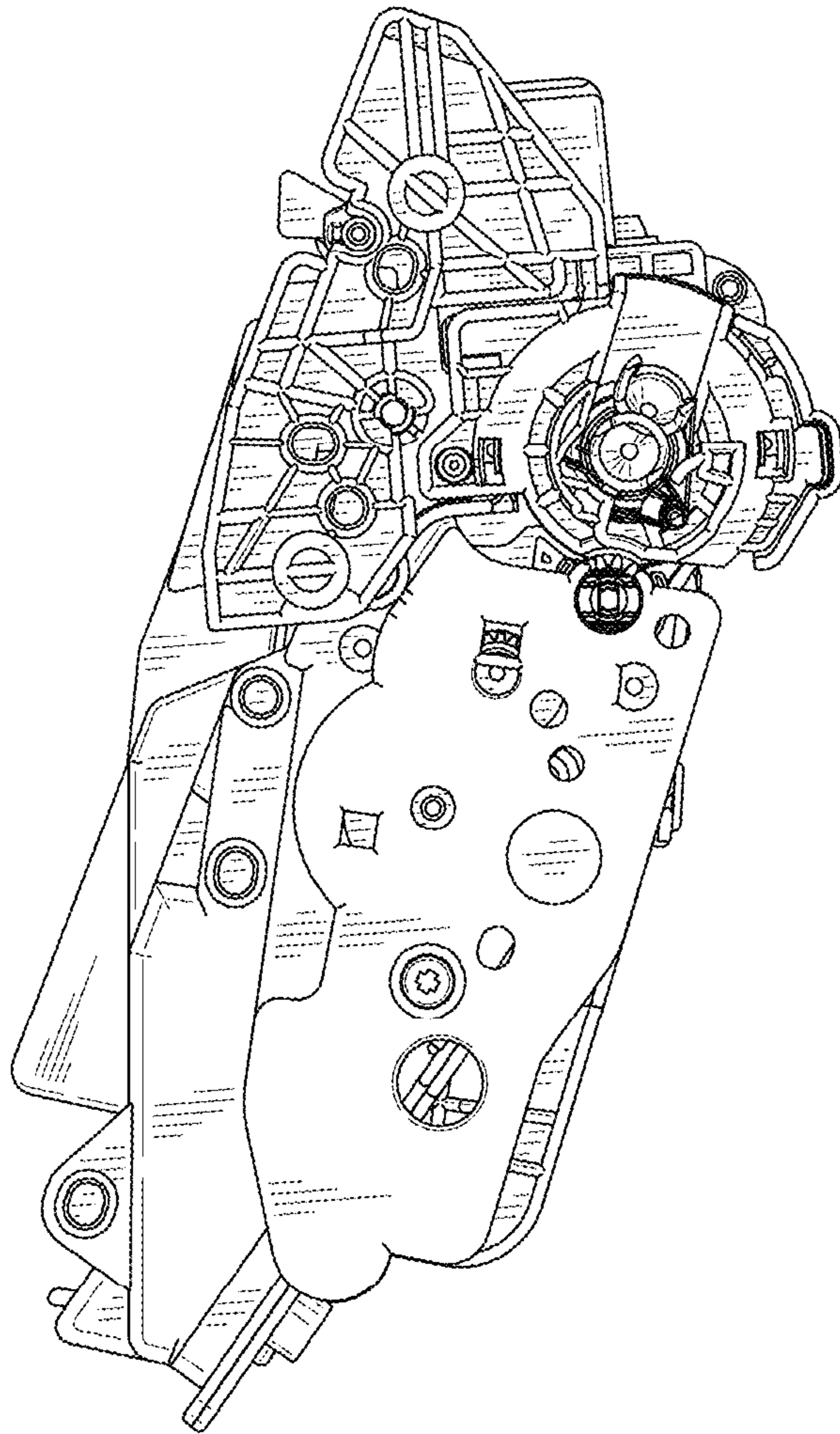


FIG. 13

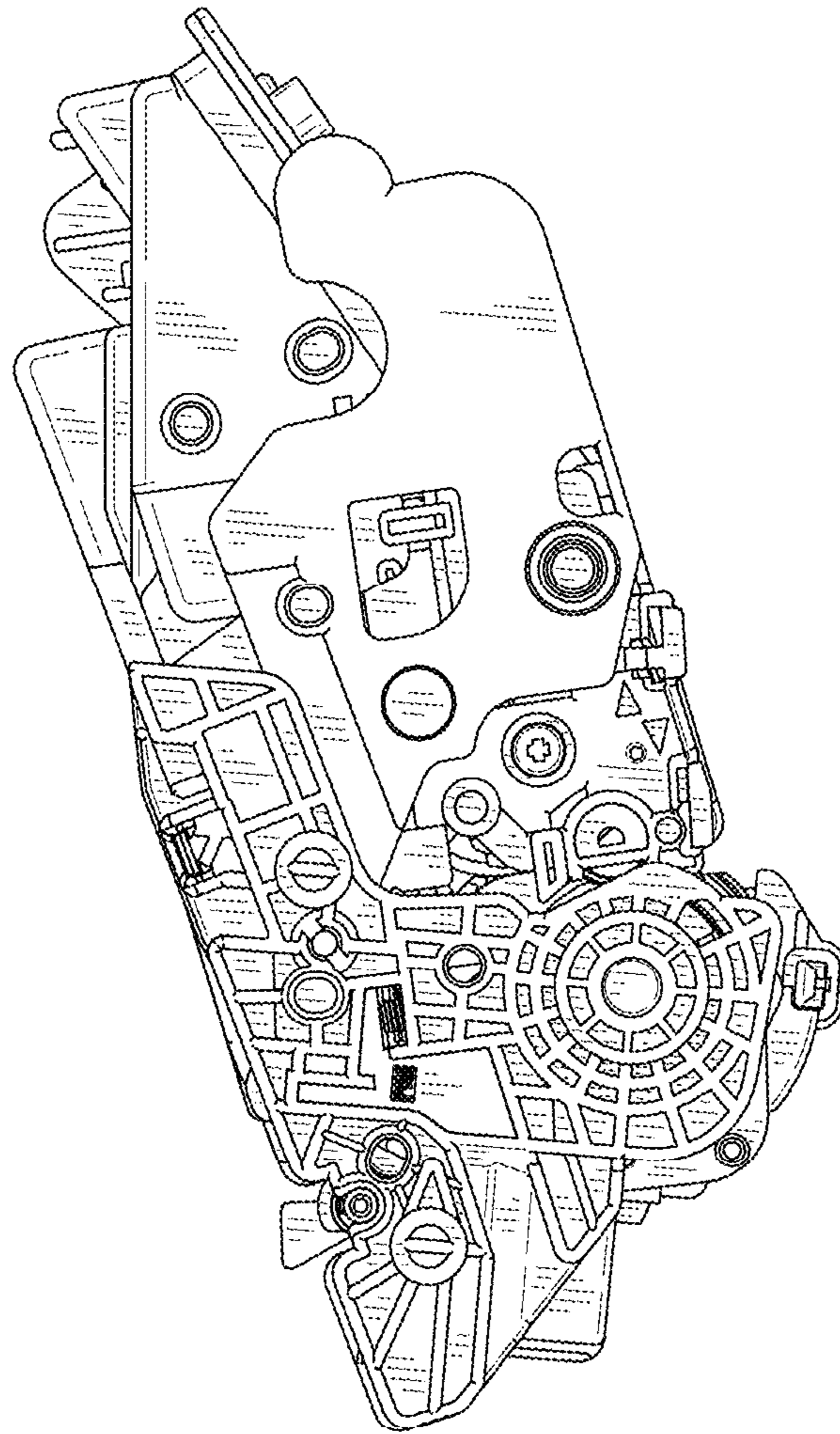


FIG. 14

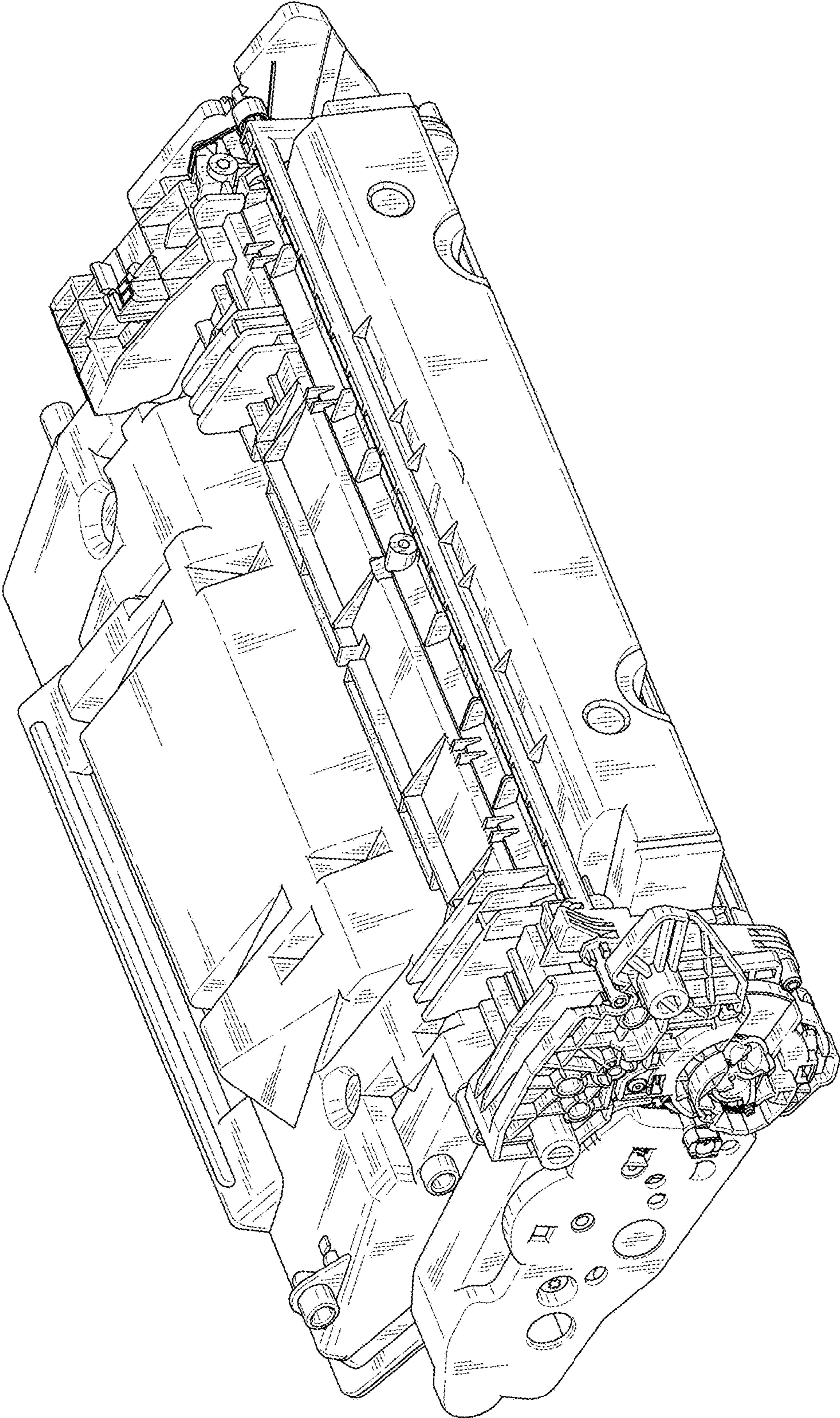


FIG. 15

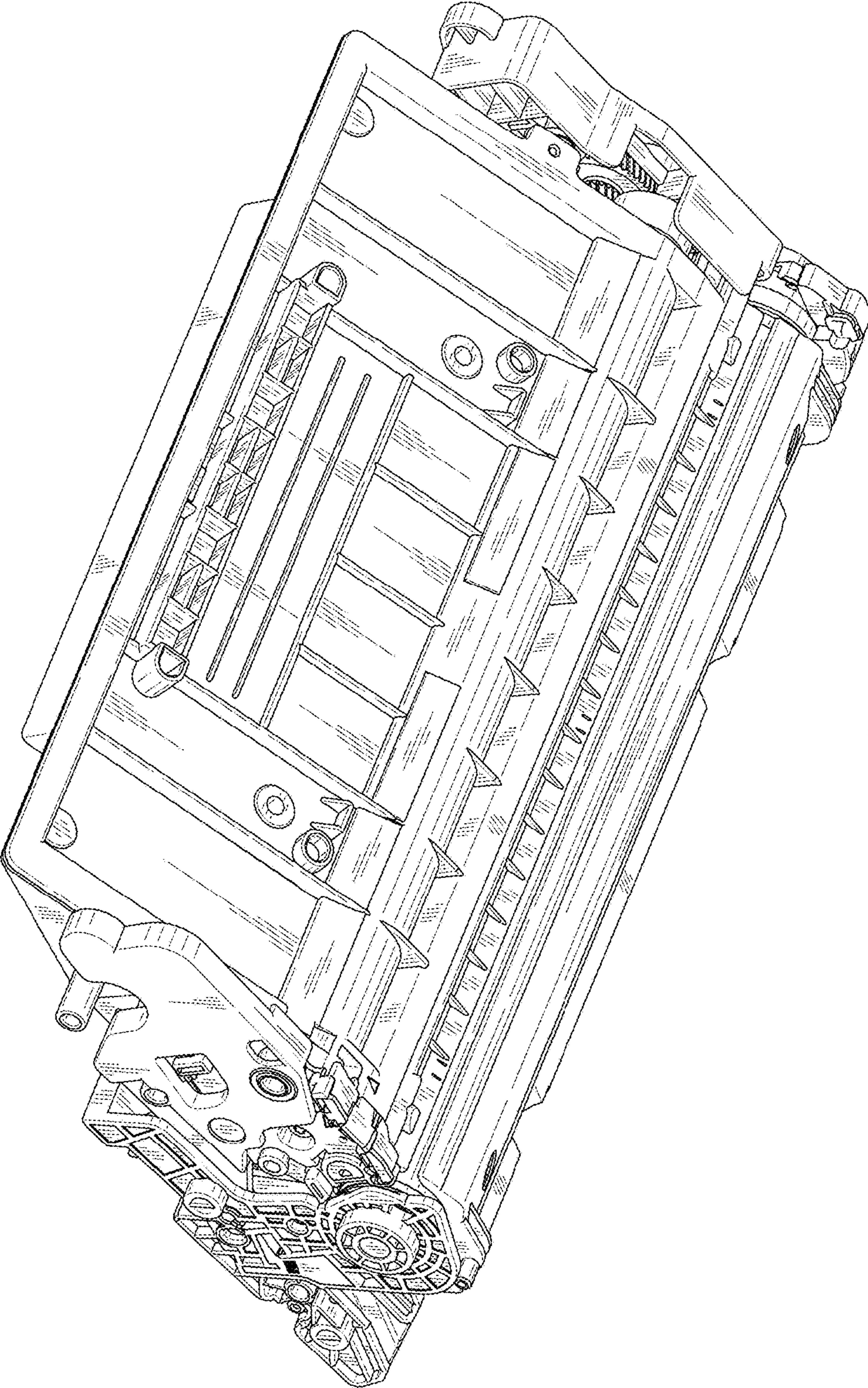


FIG. 16

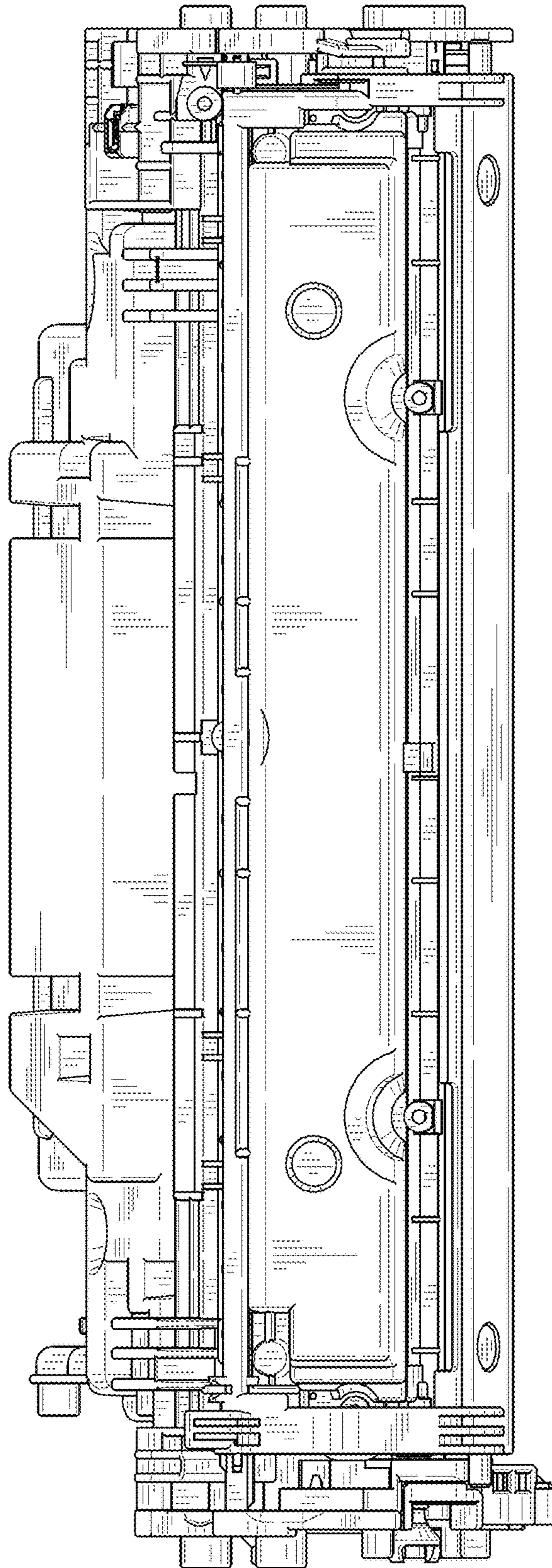


FIG. 17

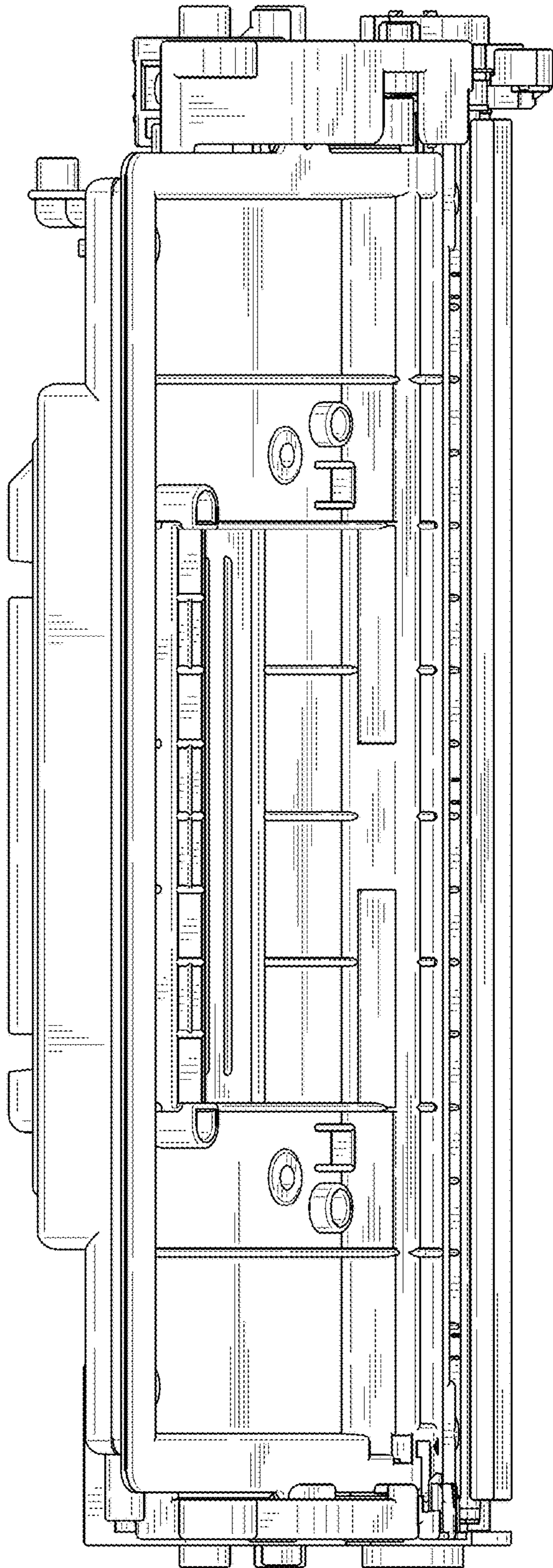


FIG. 18

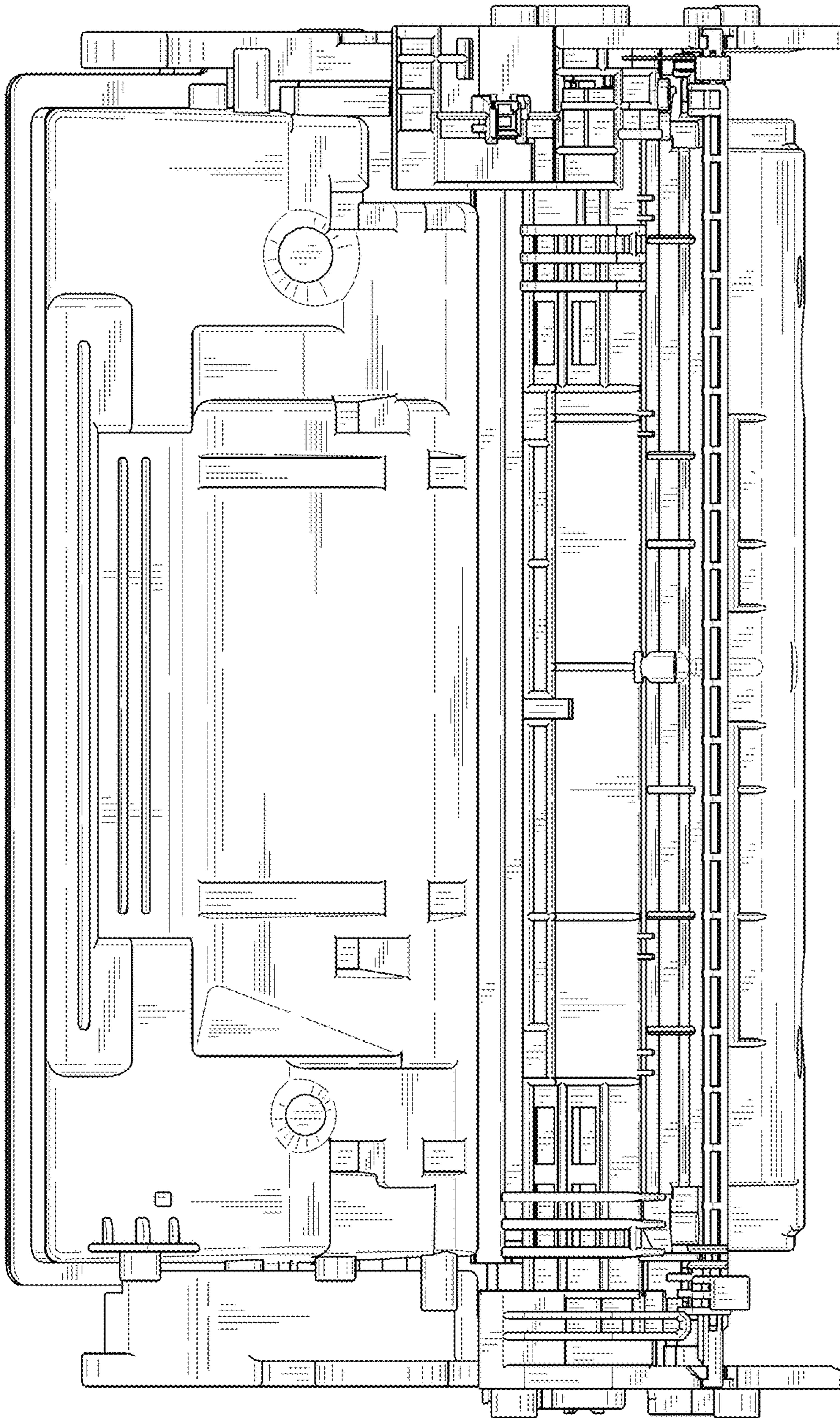


FIG. 19

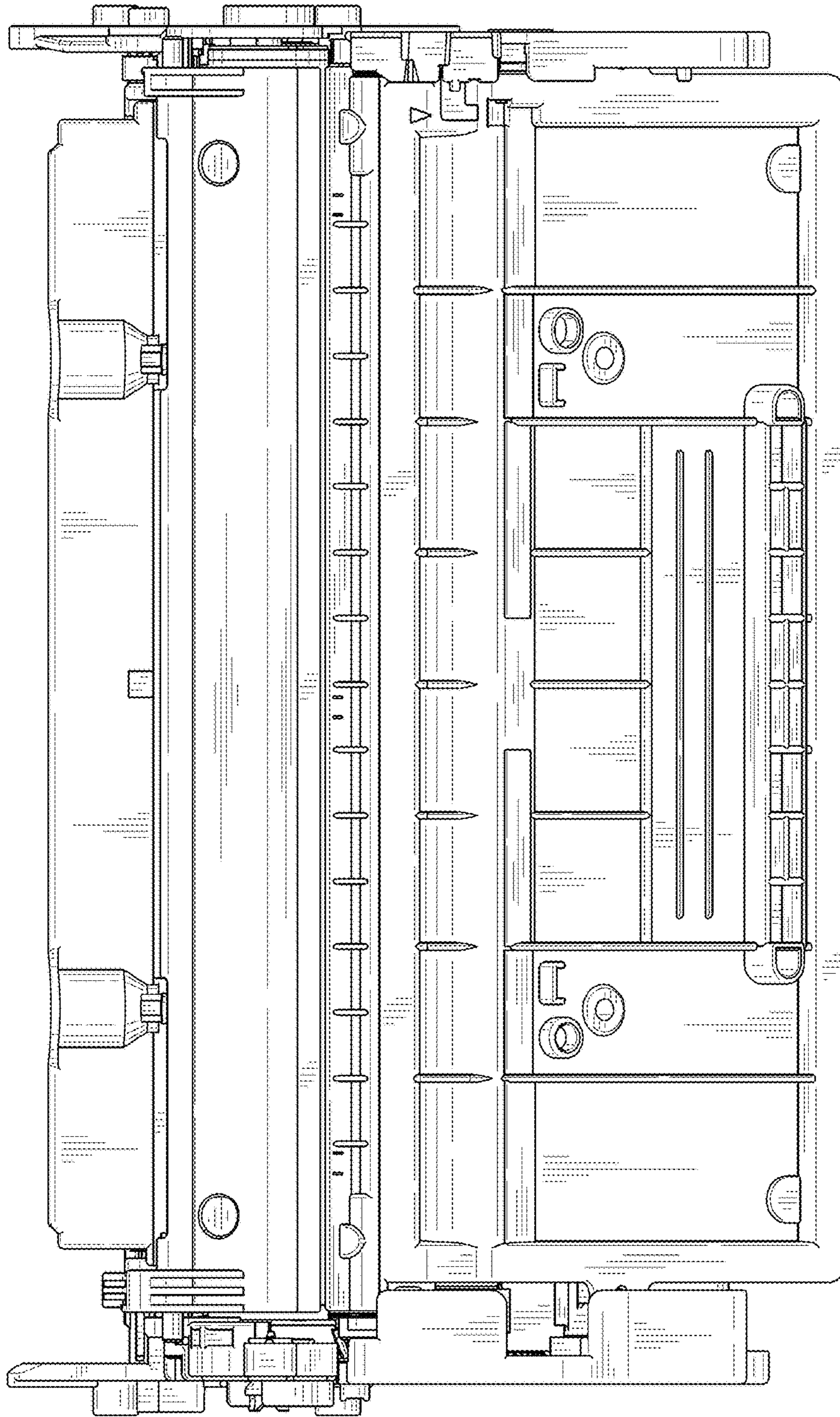


FIG. 20

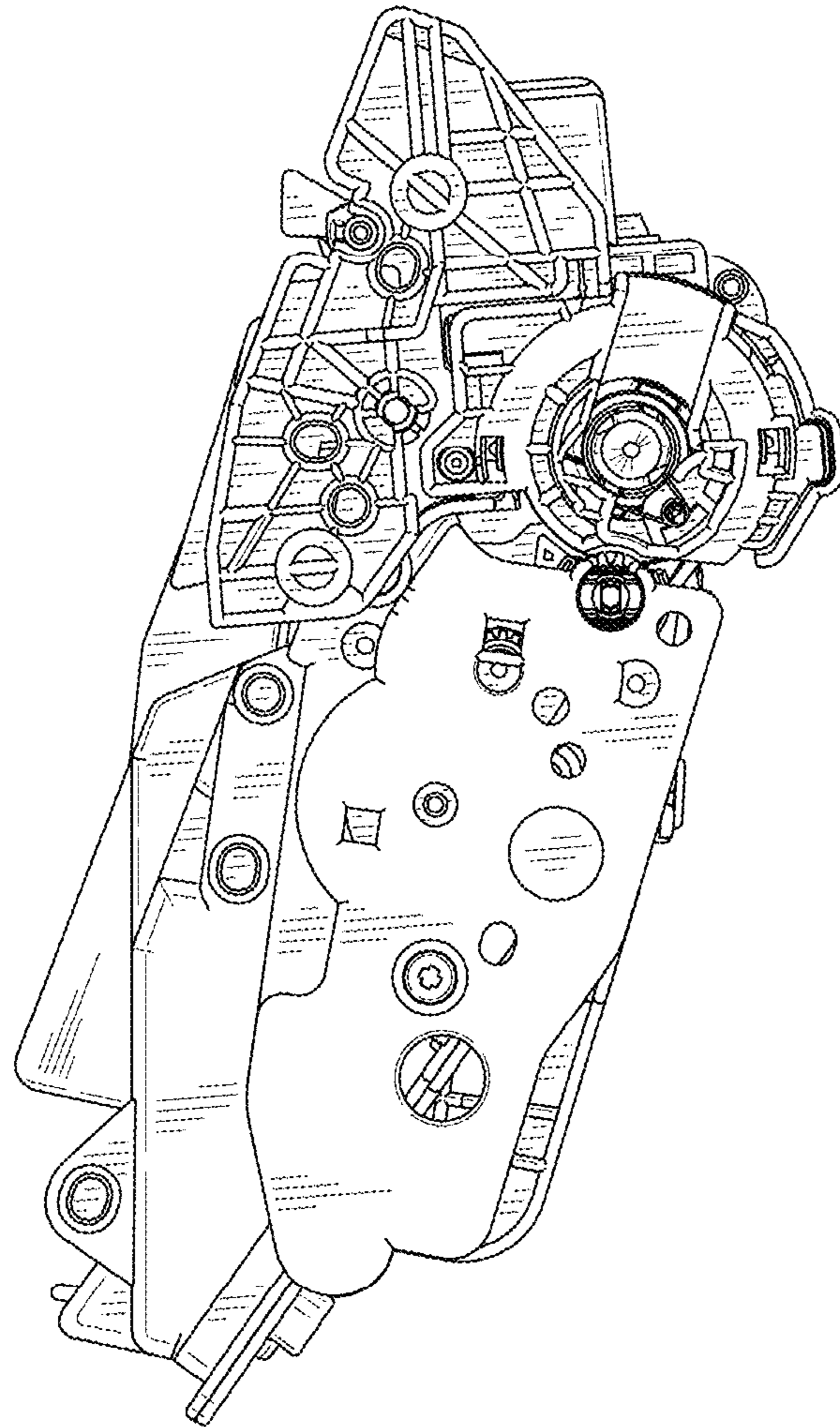


FIG. 21

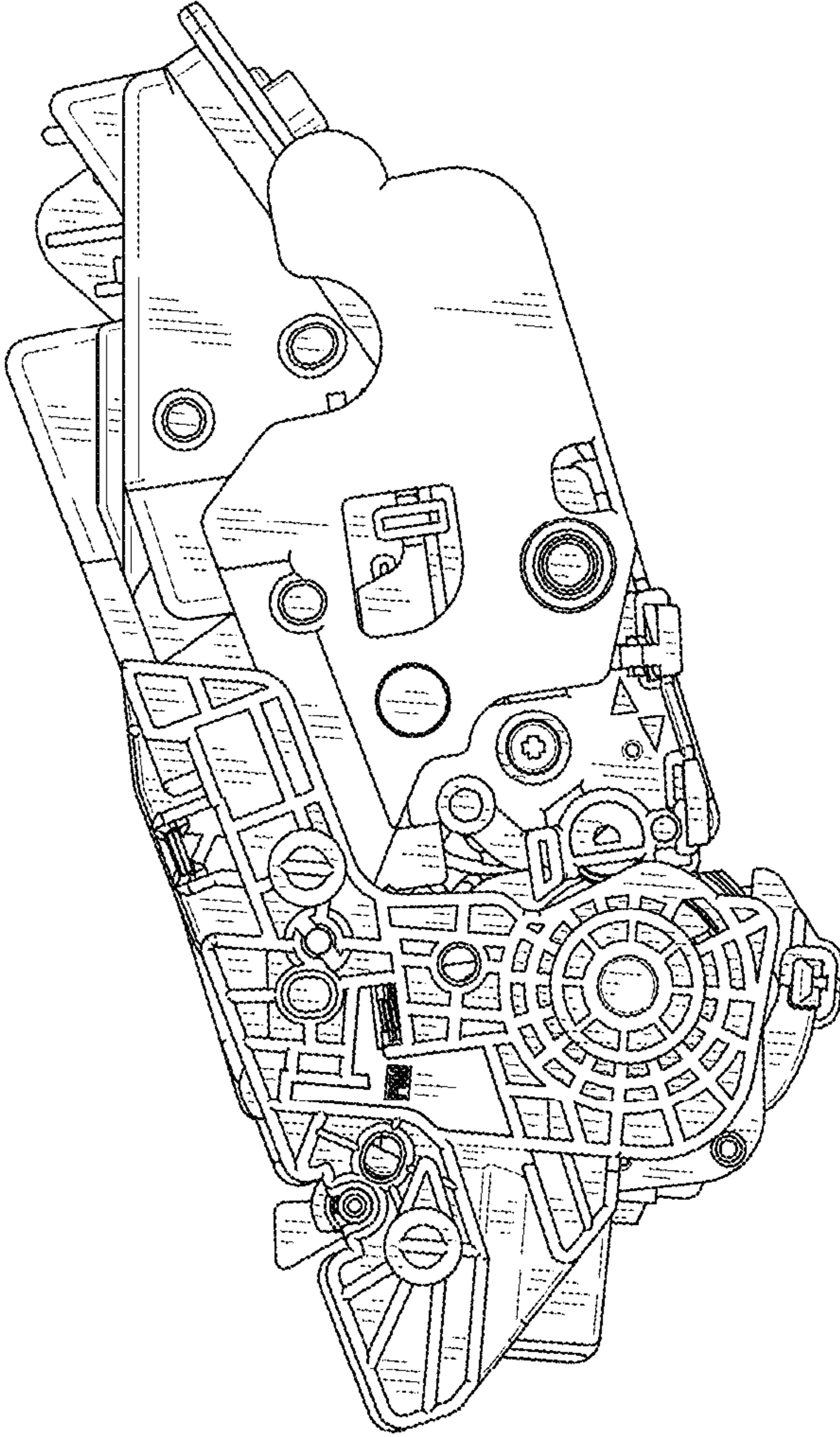


FIG. 22

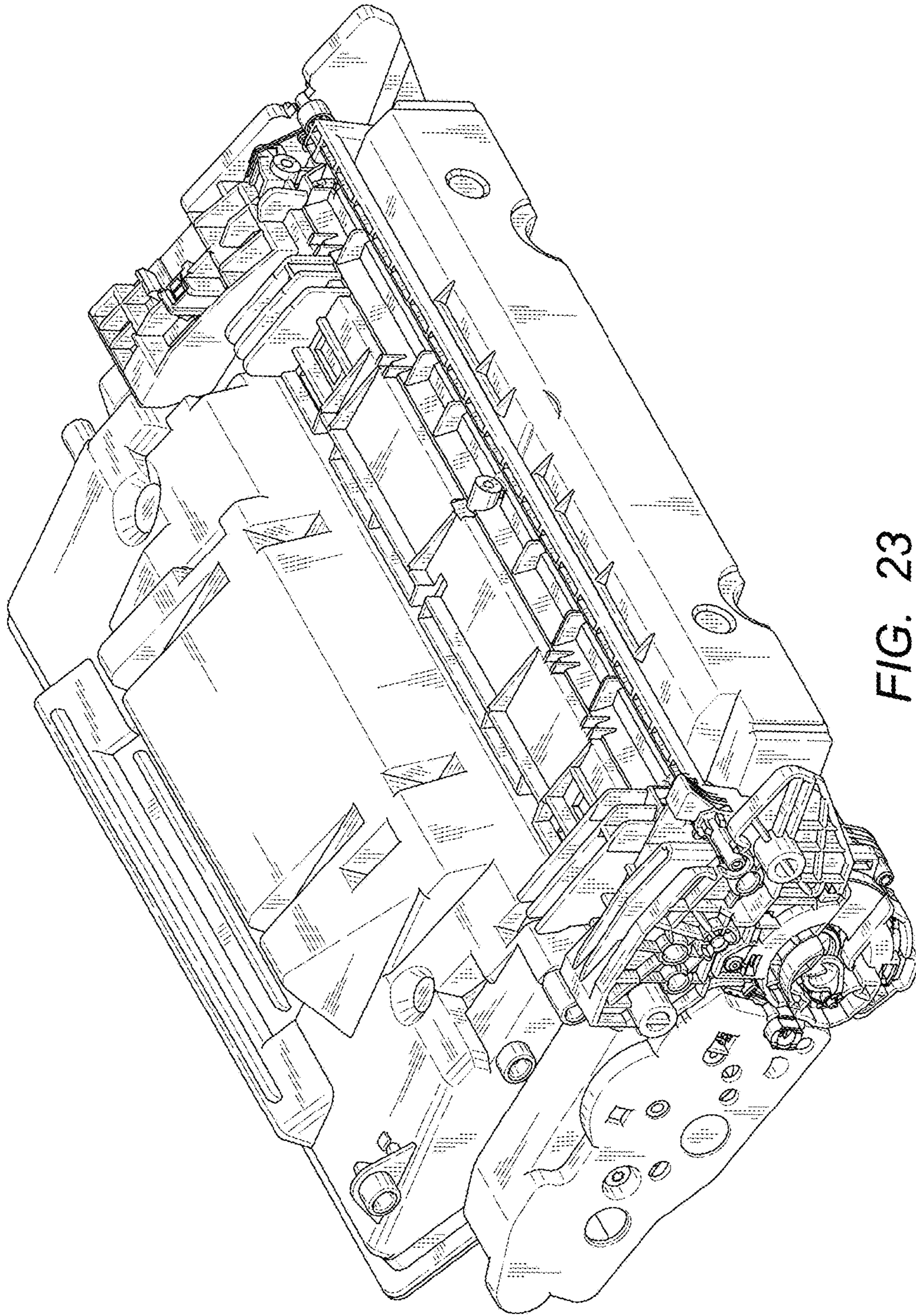


FIG. 23

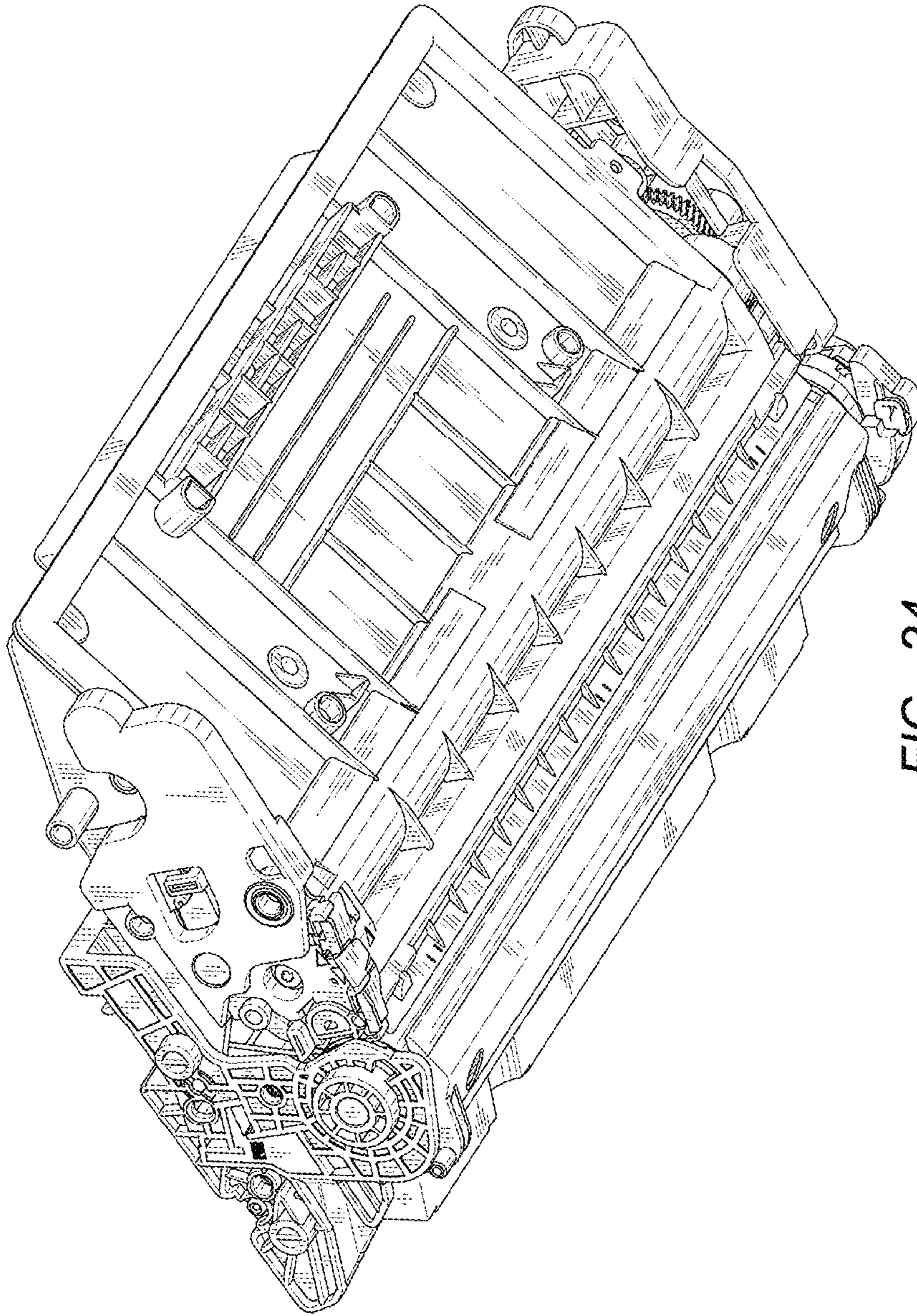


FIG. 24