



US00D786967S

(12) **United States Design Patent** (10) **Patent No.:** **US D786,967 S**  
**Tu et al.** (45) **Date of Patent:** **\*\* May 16, 2017**

(54) **MULTI-FUNCTION PRINTER**  
(71) Applicant: **AVISION INC.**, Hsinchu (TW)  
(72) Inventors: **Chin-Jung Tu**, Hsinchu (TW);  
**Te-Hsun Liou**, Hsinchu (TW);  
**Chao-Yu Peng**, Hsinchu (TW);  
**Shao-Lan Sheng**, Hsinchu (TW)  
(73) Assignee: **Avision Inc.** (TW)

D447,765 S \* 9/2001 Hatanaka ..... D18/39  
D468,762 S \* 1/2003 Kurita ..... D18/39  
D502,210 S \* 2/2005 Katori ..... D14/463  
D535,686 S \* 1/2007 Ishio ..... D18/39  
D536,372 S \* 2/2007 Lim ..... D14/463  
D549,770 S \* 8/2007 Clark, III ..... D18/39  
D554,649 S \* 11/2007 Yamagata ..... D14/463  
D664,591 S \* 7/2012 Ohta ..... D18/41  
D665,012 S \* 8/2012 Saito ..... D18/39  
D681,726 S \* 5/2013 Yonekawa ..... D14/421  
D685,414 S \* 7/2013 Jeong ..... D18/53  
D701,563 S \* 3/2014 Kim ..... D18/39

(Continued)

(\*\*) Term: **15 Years**

FOREIGN PATENT DOCUMENTS

(21) Appl. No.: **29/547,415**  
(22) Filed: **Dec. 3, 2015**  
(51) **LOC (10) Cl.** ..... **18-02**  
(52) **U.S. Cl.**  
USPC ..... **D18/56**  
(58) **Field of Classification Search**  
USPC .... D14/462, 463, 468, 471; D18/36, 37, 38,  
D18/39, 40, 41, 44, 45, 46, 47, 48, 49;  
271/3.14, 8.1, 226, 278; 355/97, 99;  
358/1.1; 399/1, 2, 3, 4, 5, 6, 7, 16, 75,  
399/81, 107, 130, 151, 361, 365, 367,  
399/381, 382, 383, 388  
CPC ..... G03G 21/00; G03G 15/00  
See application file for complete search history.

JP D1443156 6/2012  
JP D1475341 7/2013

*Primary Examiner* — Manpreet Matharu  
*Assistant Examiner* — Suzanne Tisdell

(57) **CLAIM**

The ornamental design for a multi-function printer, as shown and described.

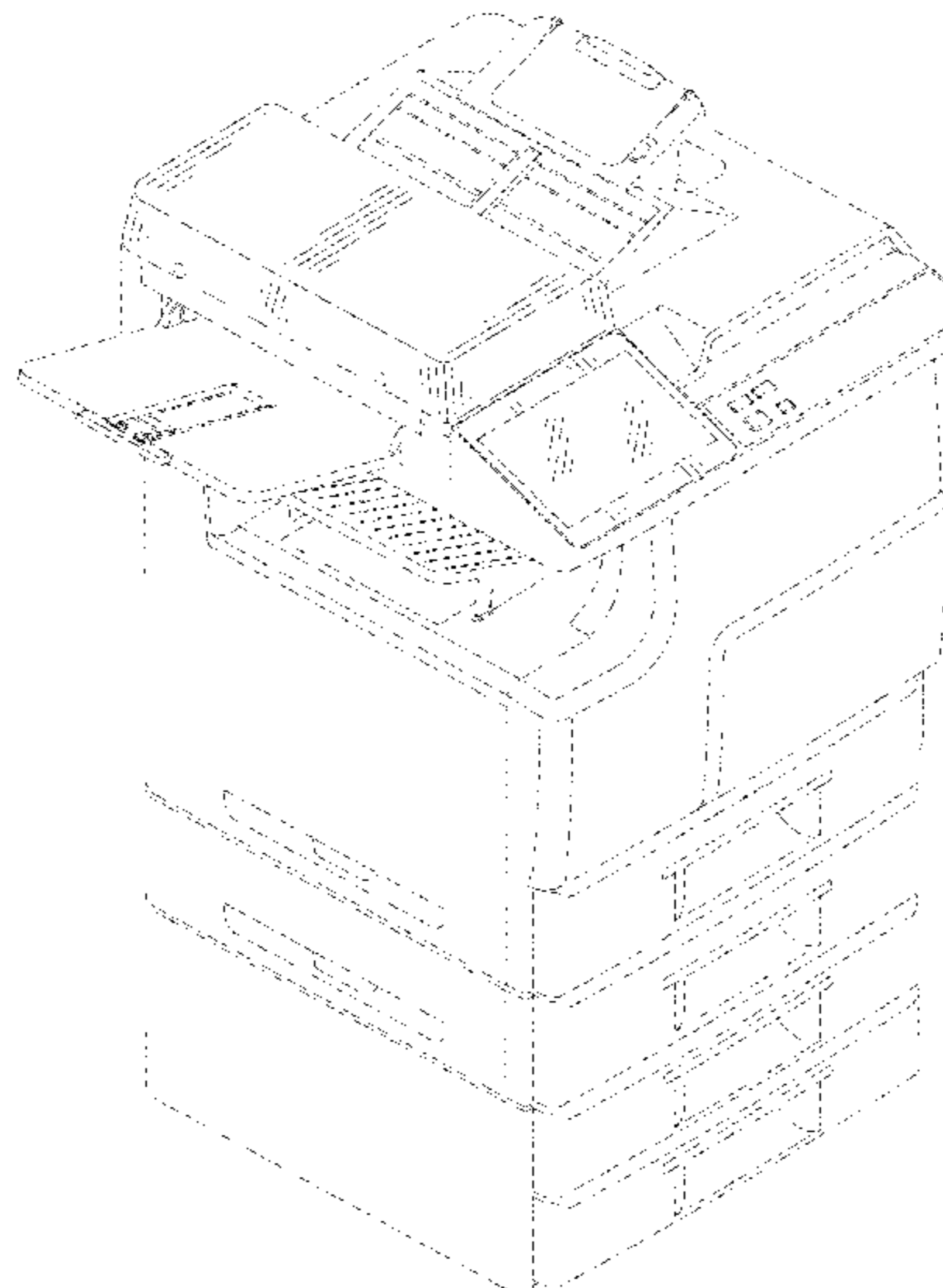
**DESCRIPTION**

FIG. 1 is a first perspective view of a multi-function printer showing our new design;  
FIG. 2 is a second perspective view thereof;  
FIG. 3 is a front view thereof;  
FIG. 4 is a rear view thereof;  
FIG. 5 is a left side view thereof;  
FIG. 6 is a right side view thereof;  
FIG. 7 is a top plan view thereof; and,  
FIG. 8 is a bottom plan view thereof.  
Portions of the design in evenly-spaced broken lines represent unclaimed portions of the multi-function printer. The dash-dot-dash broken lines represent the boundary between the claimed and unclaimed portions and also form no part of the claim.

(56) **References Cited**  
U.S. PATENT DOCUMENTS

D311,755 S \* 10/1990 Aoyama ..... D18/49  
D312,562 S \* 12/1990 Soderberg ..... D18/46  
D320,409 S \* 10/1991 Kosako ..... D18/39  
D328,095 S \* 7/1992 Sugihara ..... D18/38  
D339,152 S \* 9/1993 Hirose ..... D18/39  
D374,457 S \* 10/1996 Naruki ..... D18/49  
D390,256 S \* 2/1998 Shibata ..... D18/39  
D404,066 S \* 1/1999 Sakata ..... D18/36  
D433,439 S \* 11/2000 Yoshida ..... D14/421  
D443,635 S \* 6/2001 Ogawa ..... D18/39

**1 Claim, 8 Drawing Sheets**



(56)

References Cited

U.S. PATENT DOCUMENTS

8,994,997	B2 *	3/2015	Chen	.....	G06K 15/40 358/1.1
D727,415	S *	4/2015	Takeda	.....	D18/53
D735,805	S *	8/2015	Haller	.....	D18/46
D738,956	S *	9/2015	Larson	.....	D18/49
D750,701	S *	3/2016	Nagano	.....	D18/36
D761,901	S *	7/2016	Kim	.....	D14/371
D763,352	S *	8/2016	Kim	.....	D18/56
D765,771	S *	9/2016	Kim	.....	D18/49
2002/0038936	A1 *	4/2002	Fujisawa	.....	B41J 13/106 271/278
2008/0074710	A1 *	3/2008	Suzuki	.....	H04N 1/00342 358/443
2010/0157392	A1 *	6/2010	Tsuzuki	.....	G03G 21/046 358/498
2010/0196041	A1 *	8/2010	Otaki	.....	G03G 15/502 399/81
2010/0244355	A1 *	9/2010	Yoshida	.....	B65H 29/52 271/3.14
2011/0235254	A1 *	9/2011	Uchida	.....	G03G 15/5016 361/679.02
2013/0334759	A1 *	12/2013	Osaki	.....	B65H 29/00 271/3.14
2014/0334839	A1 *	11/2014	Ito	.....	H02G 11/00 399/75
2015/0172501	A1 *	6/2015	Wilsher	.....	H04N 1/1039 358/498
2016/0150110	A1 *	5/2016	Imoto	.....	H04N 1/1026 399/107
2016/0161910	A1 *	6/2016	Amano	.....	G03G 21/1817 399/107

\* cited by examiner

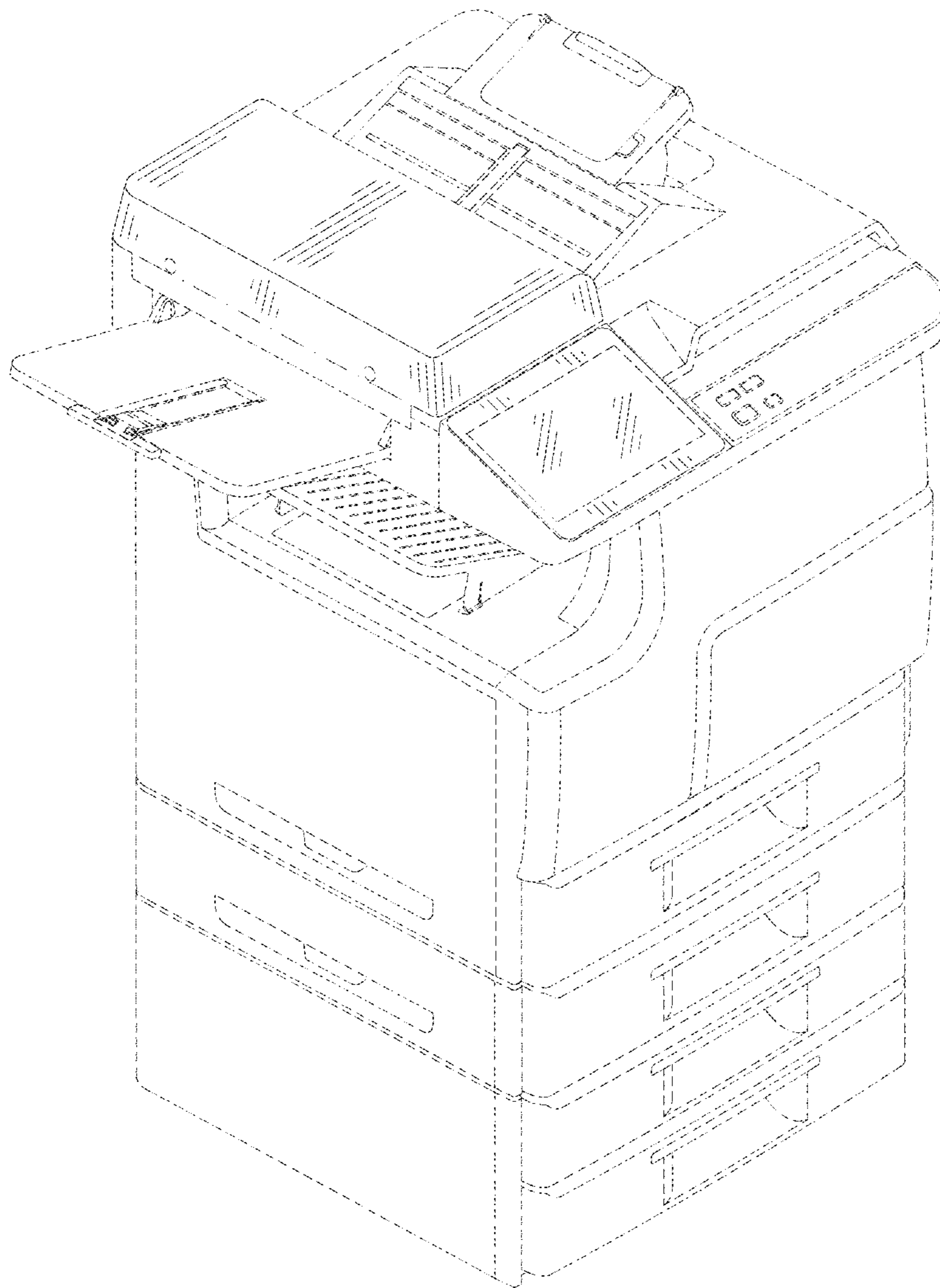


FIG. 1

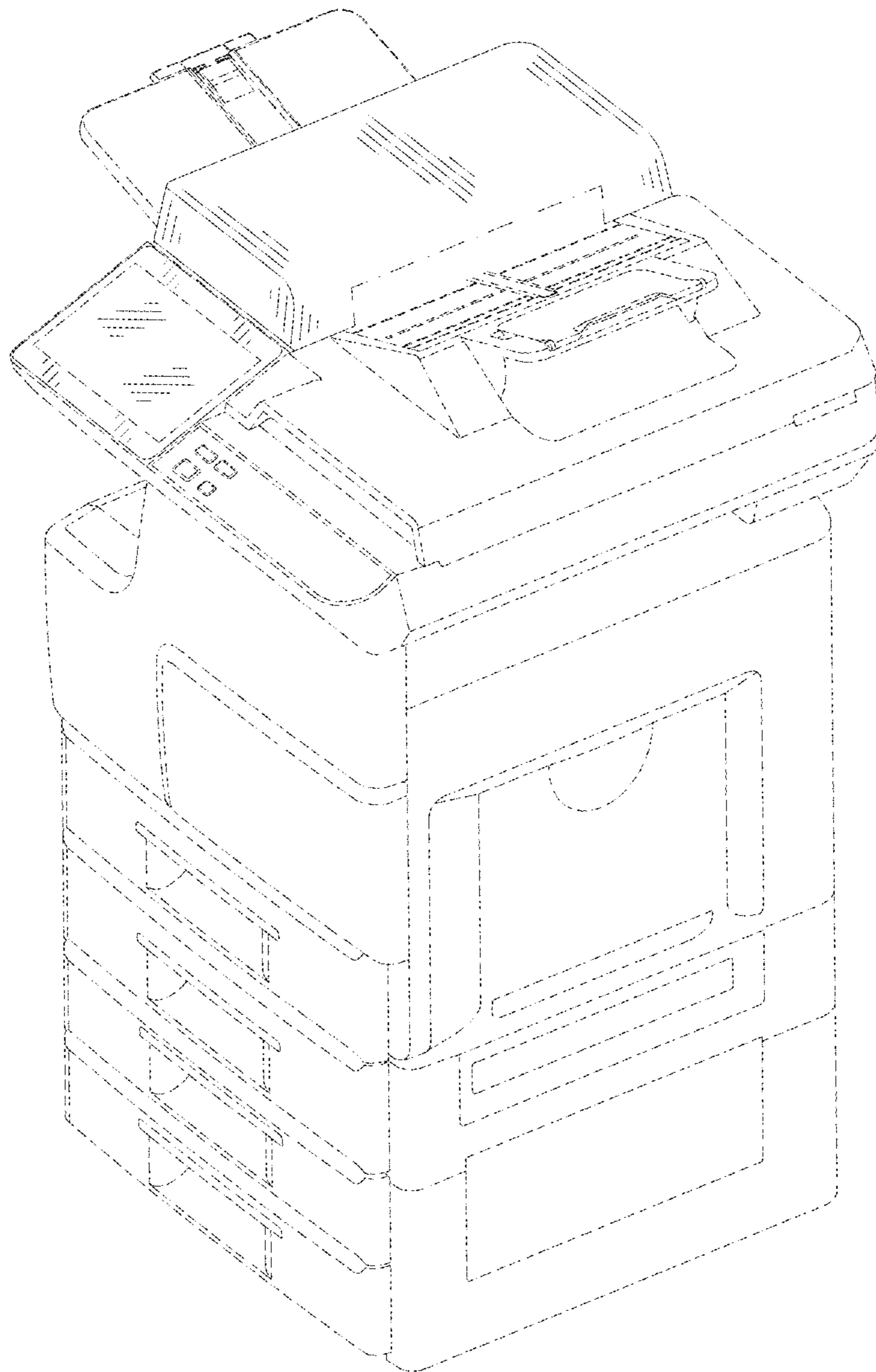


FIG. 2

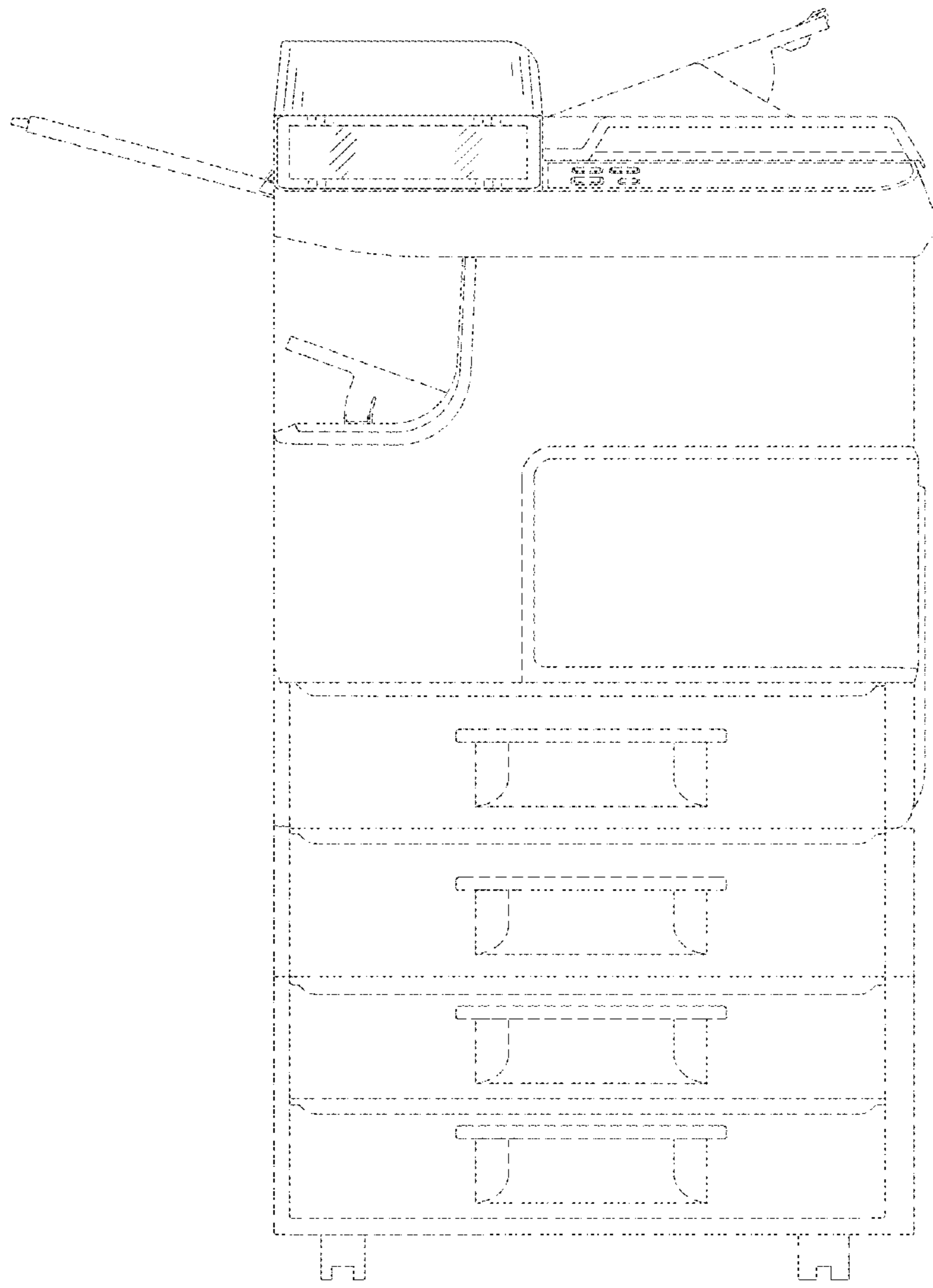


FIG. 3

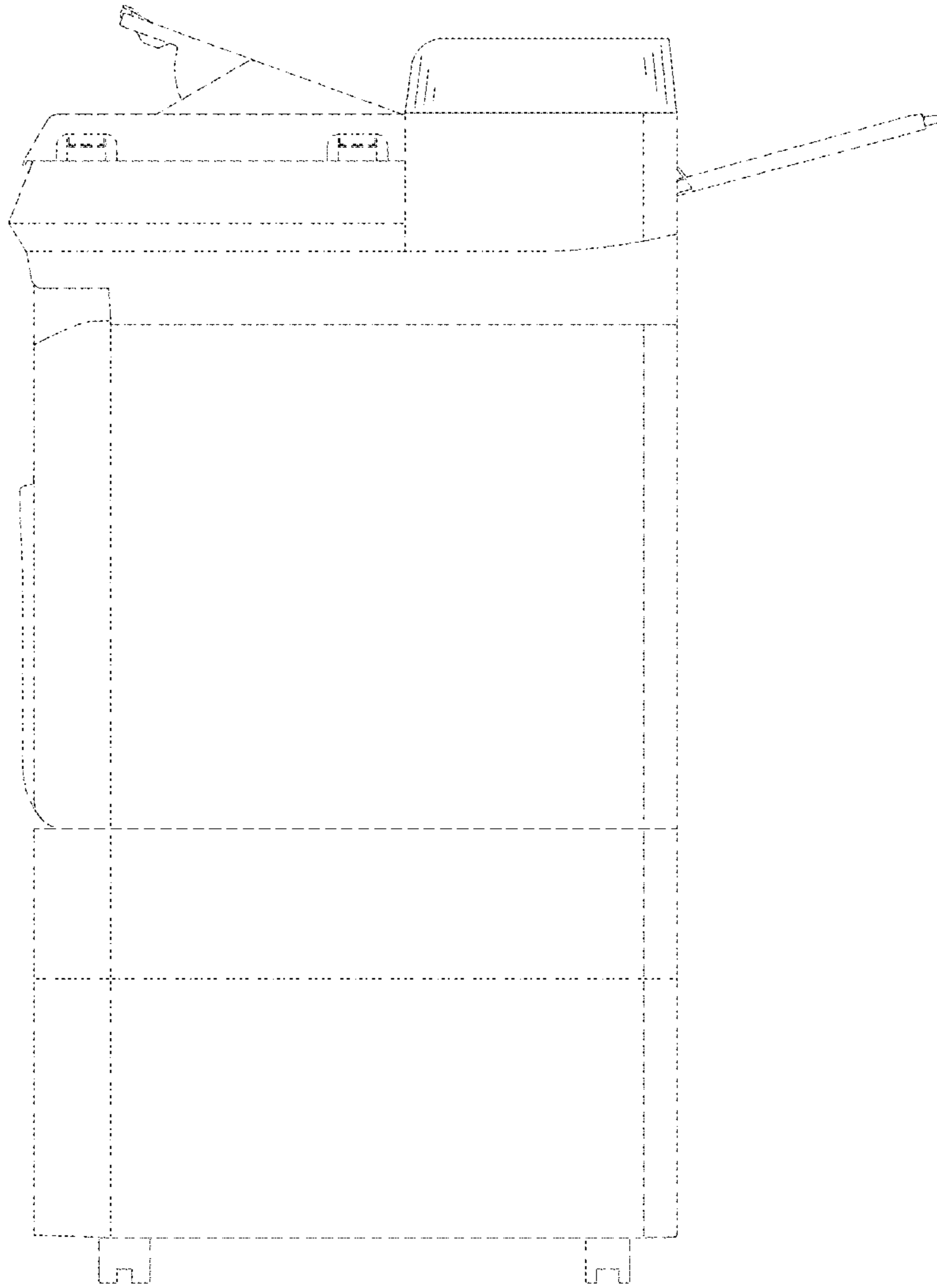


FIG. 4

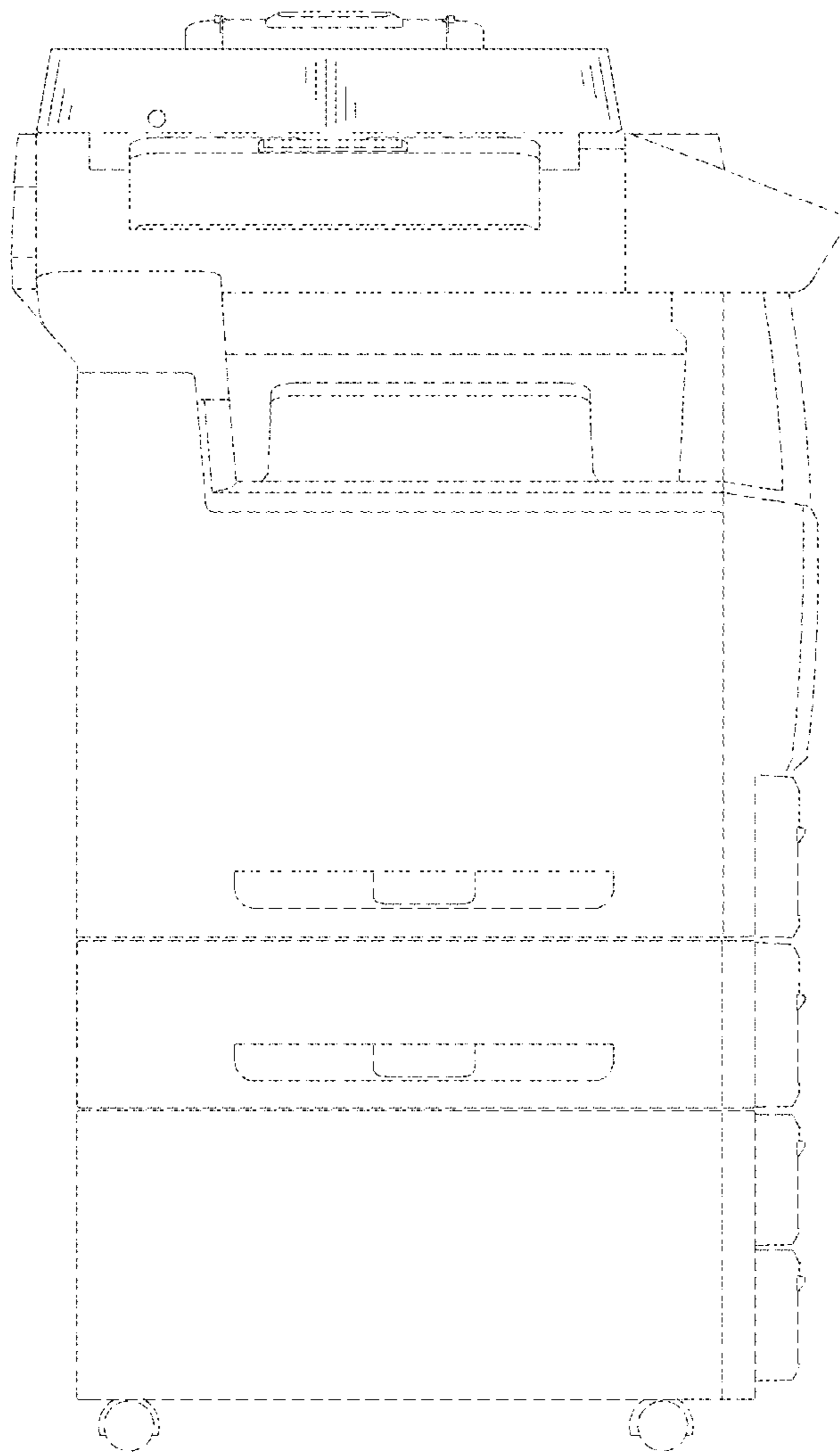


FIG. 5

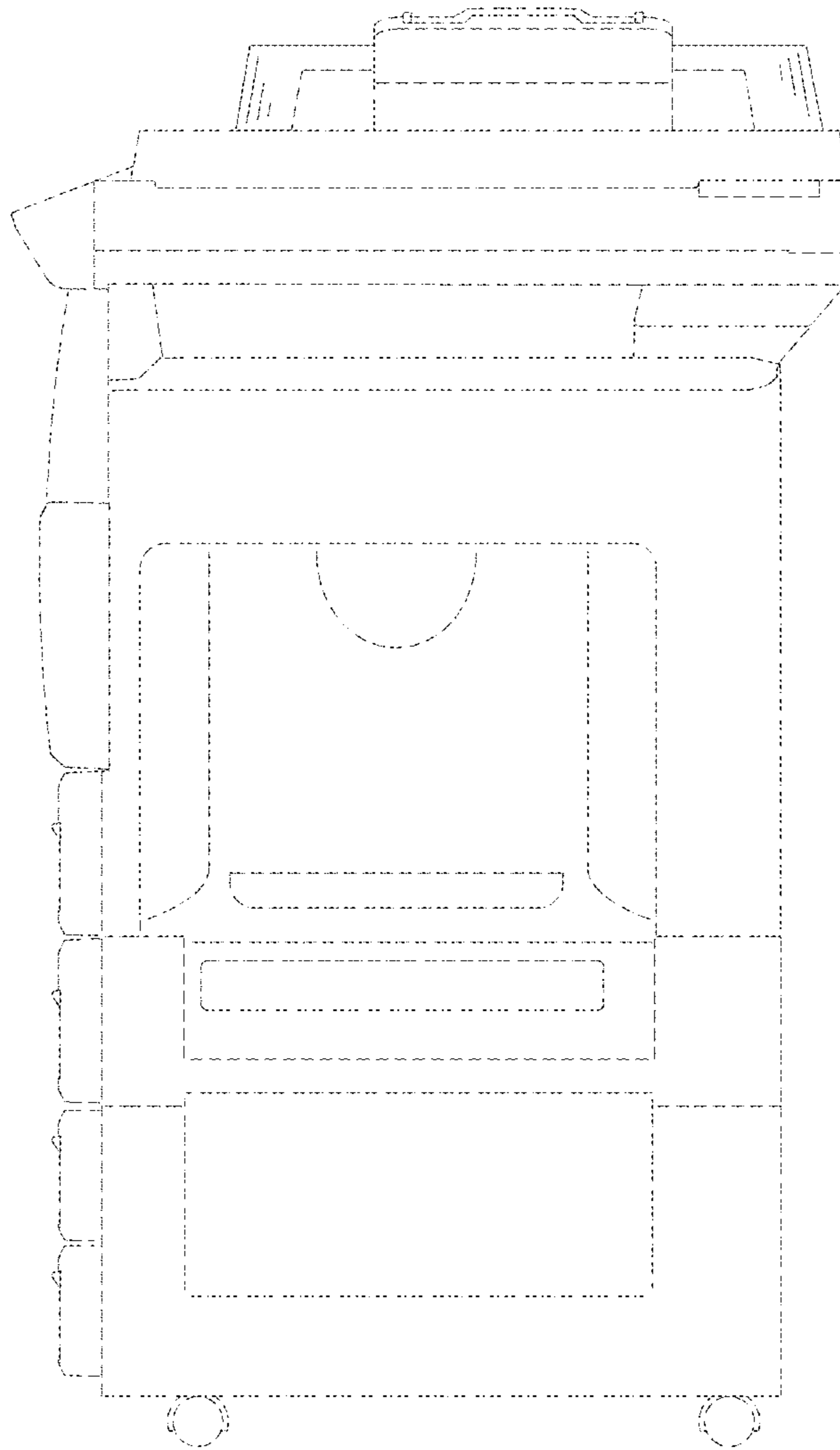


FIG. 6



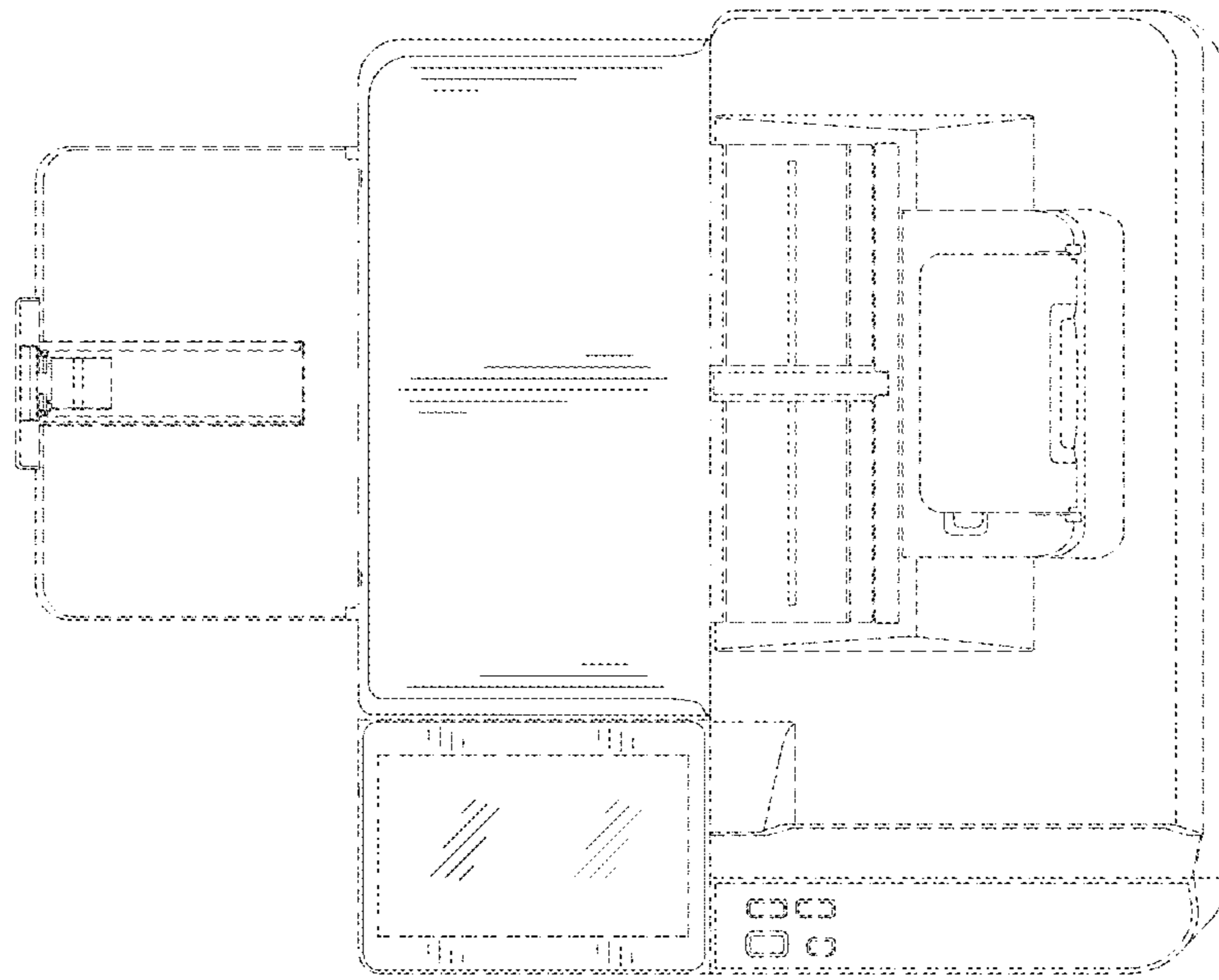


FIG. 7

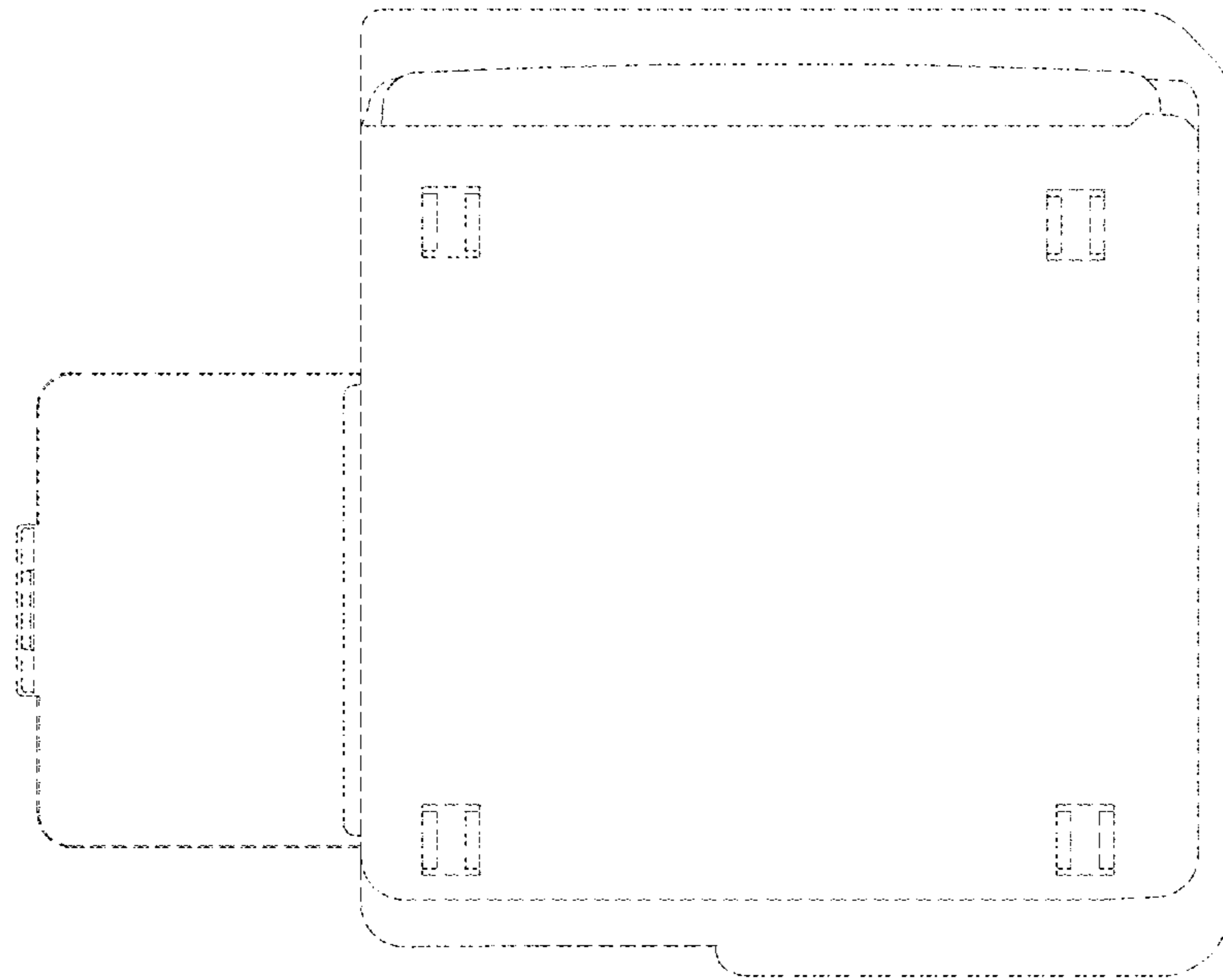


FIG. 8