



US00D786966S

(12) **United States Design Patent** (10) **Patent No.:** **US D786,966 S**
Matsushita et al. (45) **Date of Patent:** **** May 16, 2017**

(54) **CARTRIDGE FOR INK JET PRINTER**
(71) Applicant: **Hitachi Industrial Equipment Systems Co., Ltd.**, Tokyo (JP)
(72) Inventors: **Takehiko Matsushita**, Tokyo (JP); **Naomichi Yoshida**, Tokyo (JP)
(73) Assignee: **HITACHI INDUSTRIAL EQUIPMENT SYSTEMS CO., LTD.**, Tokyo (JP)

D399,048 S * 10/1998 Sayre D9/453
D419,071 S * 1/2000 Peters D9/449
D436,862 S * 1/2001 Witt D9/438
D479,296 S * 9/2003 McCall D21/789
D482,390 S * 11/2003 Ueno D18/56
D667,049 S * 9/2012 Park D18/43
D680,159 S * 4/2013 Huck D18/43
D681,462 S * 5/2013 Taylor D9/454
D687,709 S * 8/2013 Taylor D9/453
D702,286 S * 4/2014 Huck D18/43
9,004,658 B2 * 4/2015 Otsuka B41J 2/17546
347/86
2014/0253647 A1 * 9/2014 Otsuka B41J 2/17546
347/86

(**) Term: **14 Years**

* cited by examiner

(21) Appl. No.: **29/497,035**

Primary Examiner — Cathy Ann MacCormac

(22) Filed: **Jul. 21, 2014**

(74) *Attorney, Agent, or Firm* — Baker Botts L.L.P.

(30) **Foreign Application Priority Data**

(57) **CLAIM**

Jan. 29, 2014 (JP) 2014-001682

We claim the ornamental design for a cartridge for ink jet printer, as shown and described.

(51) **LOC (10) Cl.** **18-02**

(52) **U.S. Cl.**
USPC **D18/56**; D9/443; D9/453; D9/516

DESCRIPTION

(58) **Field of Classification Search**
USPC D18/12, 40, 43-44, 56; D9/443,
D9/453-454, 522, 551, 559-560, 571,
D9/574, 564, 516; 347/84-87, 214;
360/132

FIG. 1 is a top perspective view of a cartridge for ink jet printer showing my new design;
FIG. 2 is a front elevational view thereof;
FIG. 3 is a right side elevational view thereof;
FIG. 4 is a left side elevational view thereof;
FIG. 5 is a top plan view thereof;
FIG. 6 is a bottom plan view thereof; and,
FIG. 7 is a rear elevational view thereof.

CPC B41J 2/175; B41J 2/17513; B41J 2/17546;
B41J 17/32

See application file for complete search history.

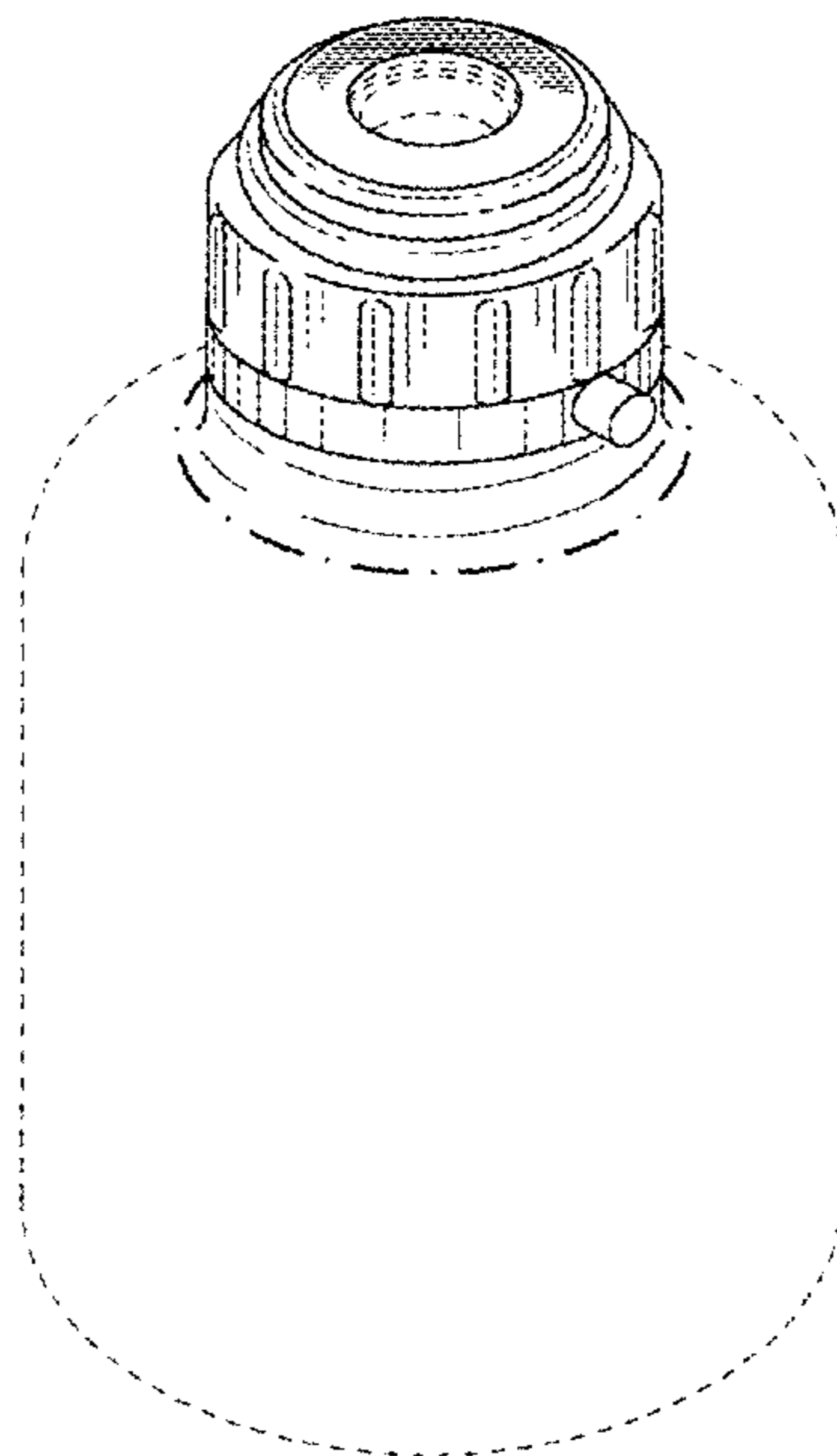
The equally spaced broken lines depict environmental subject matter and form no part of the claimed design. The chain line indicates the border between the claimed portion and the non-claimed portion, is for illustration only and forms no part of the claimed design.

(56) **References Cited**

U.S. PATENT DOCUMENTS

D124,384 S * 12/1940 Ehrlich D9/453
D195,372 S * 6/1963 Worsley D9/439
D355,606 S * 2/1995 Manera D9/559

1 Claim, 7 Drawing Sheets



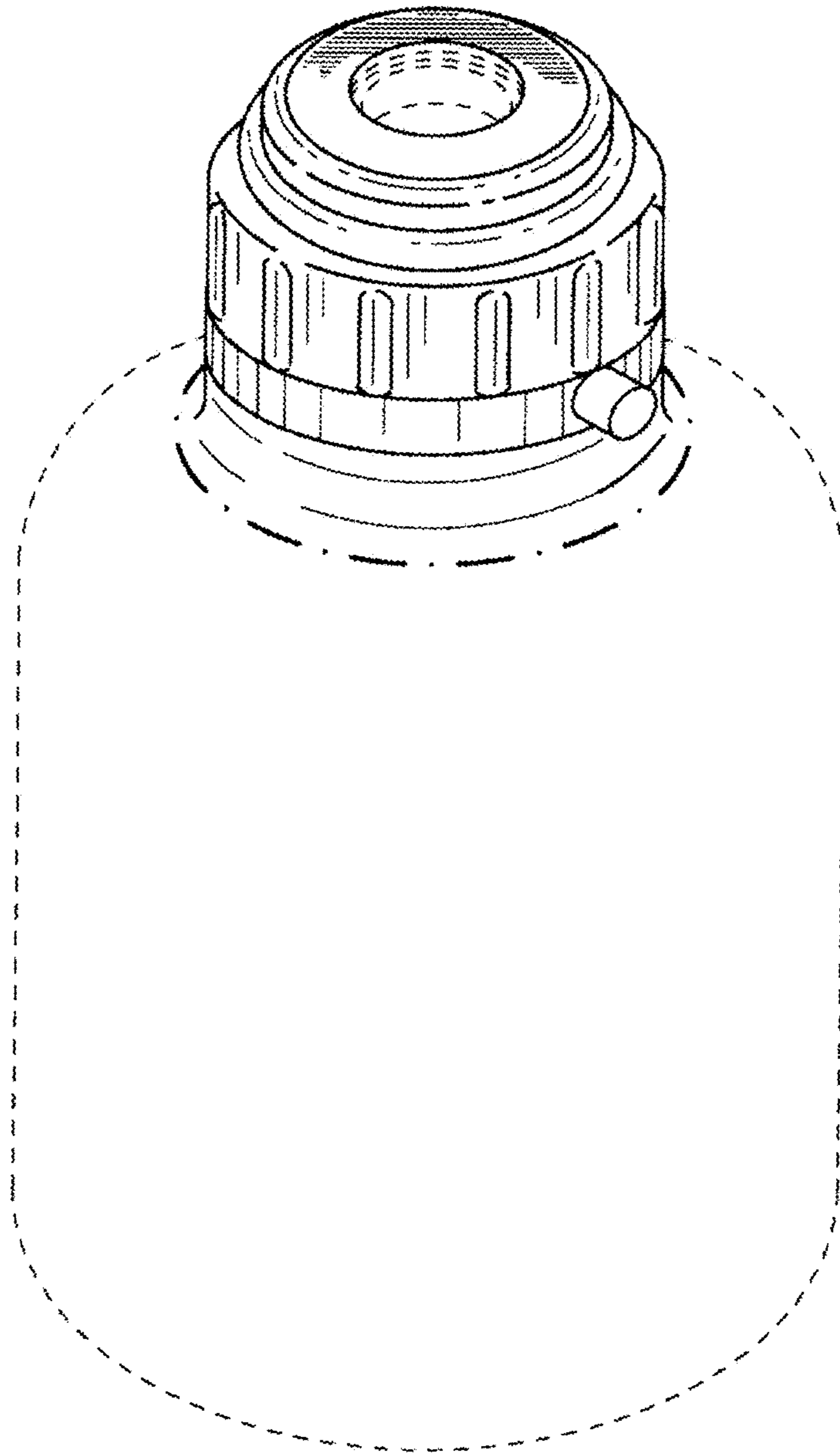


FIG. 1

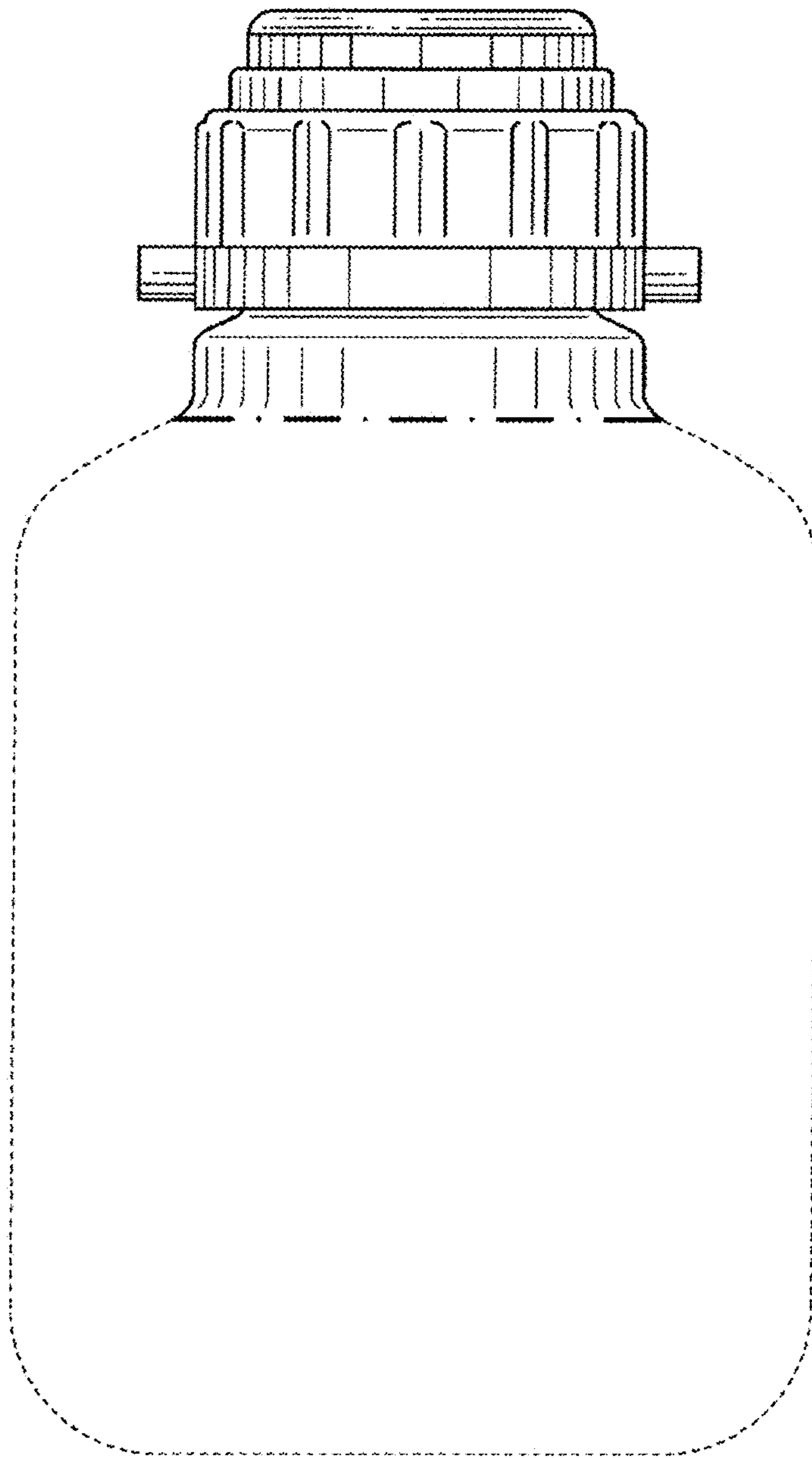


FIG. 2

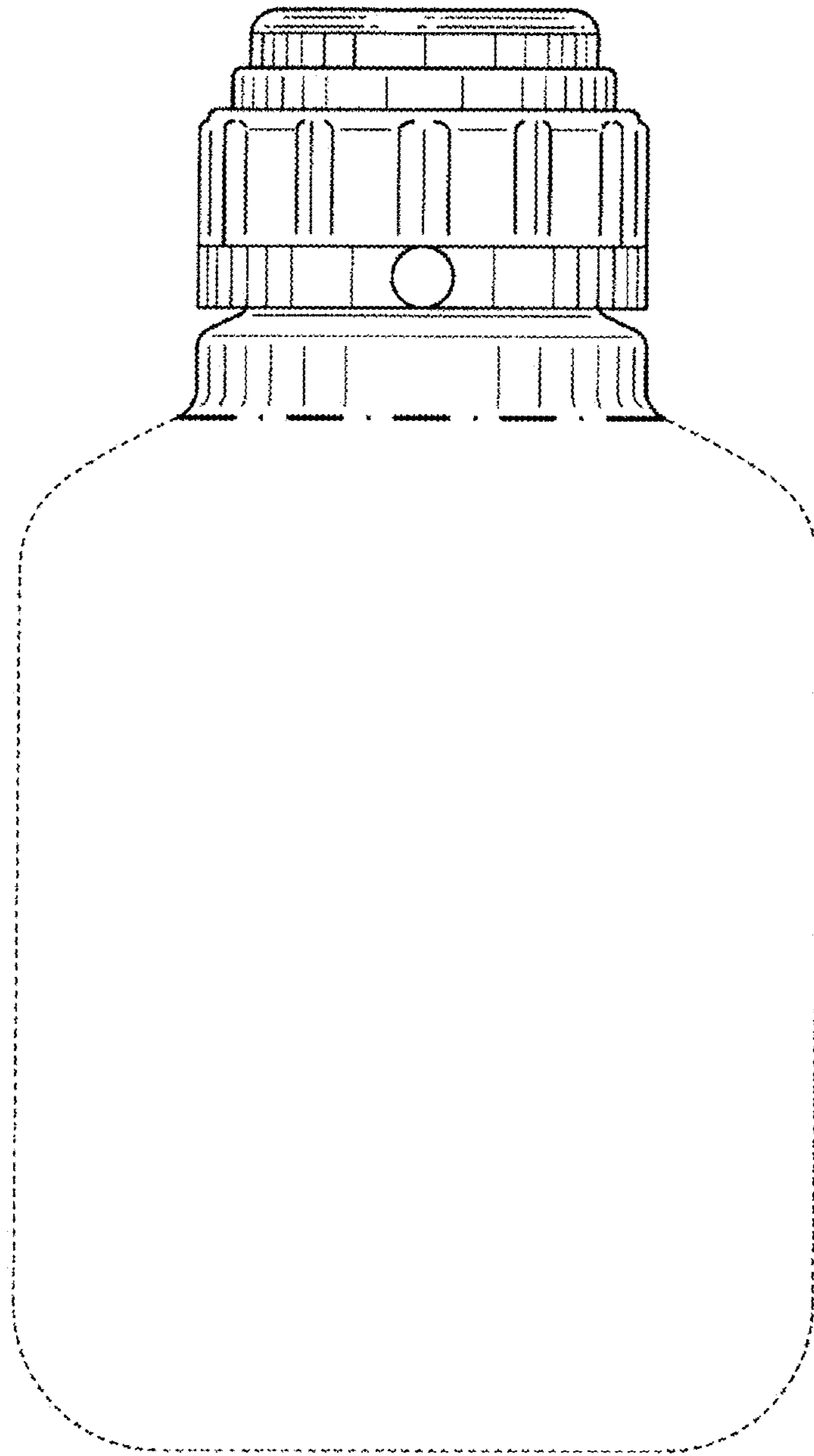


FIG. 3

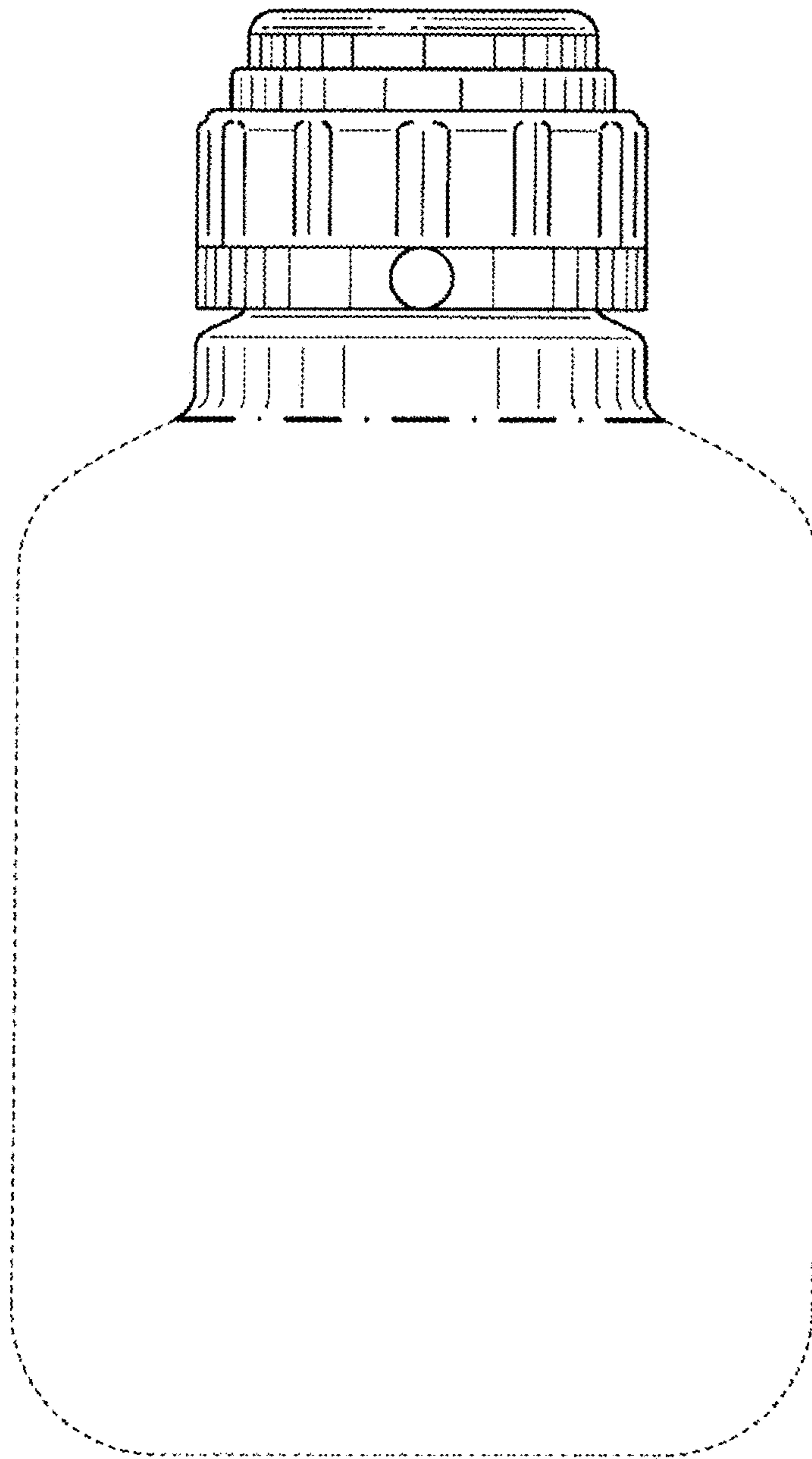


FIG. 4

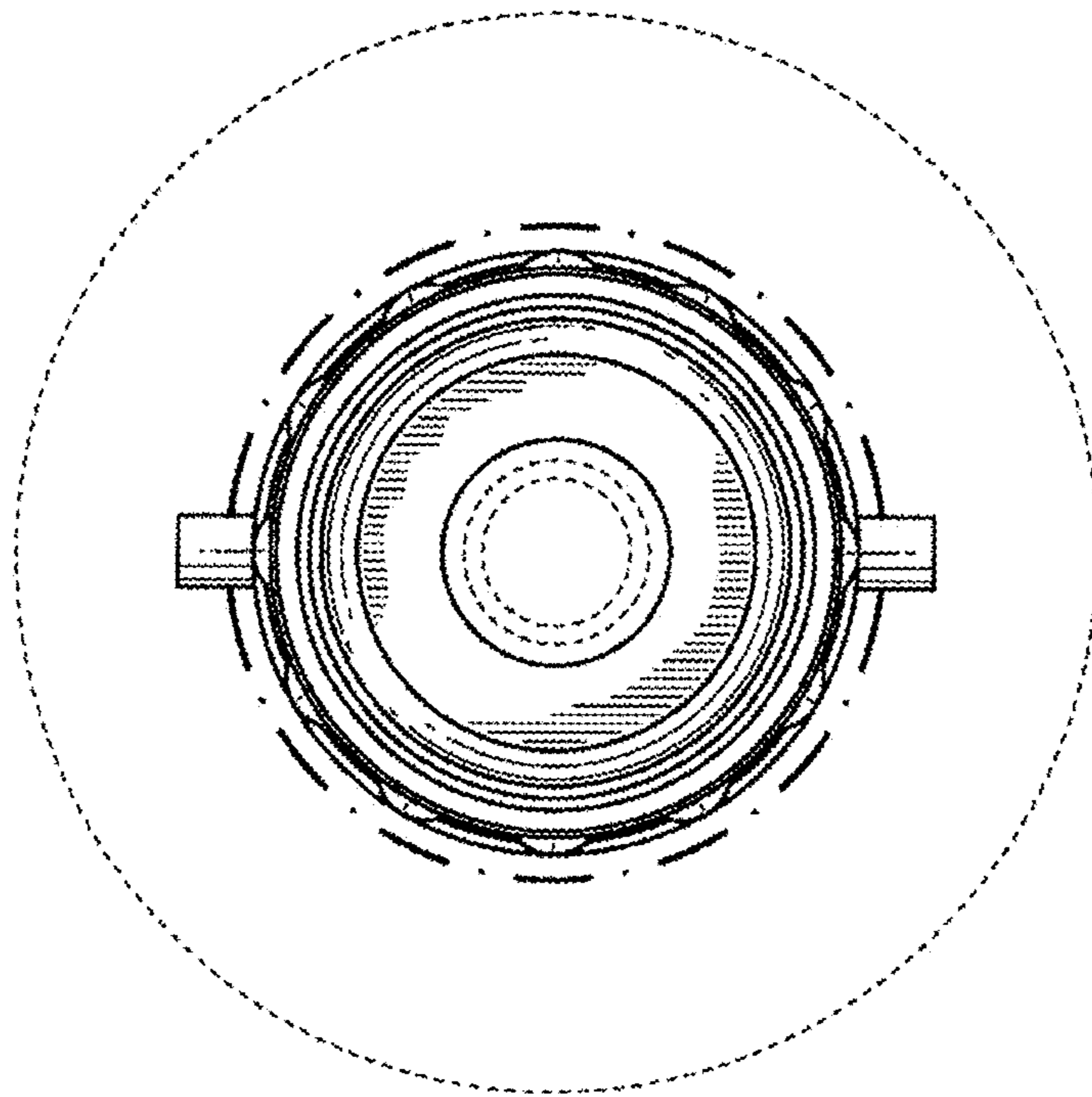


FIG. 5

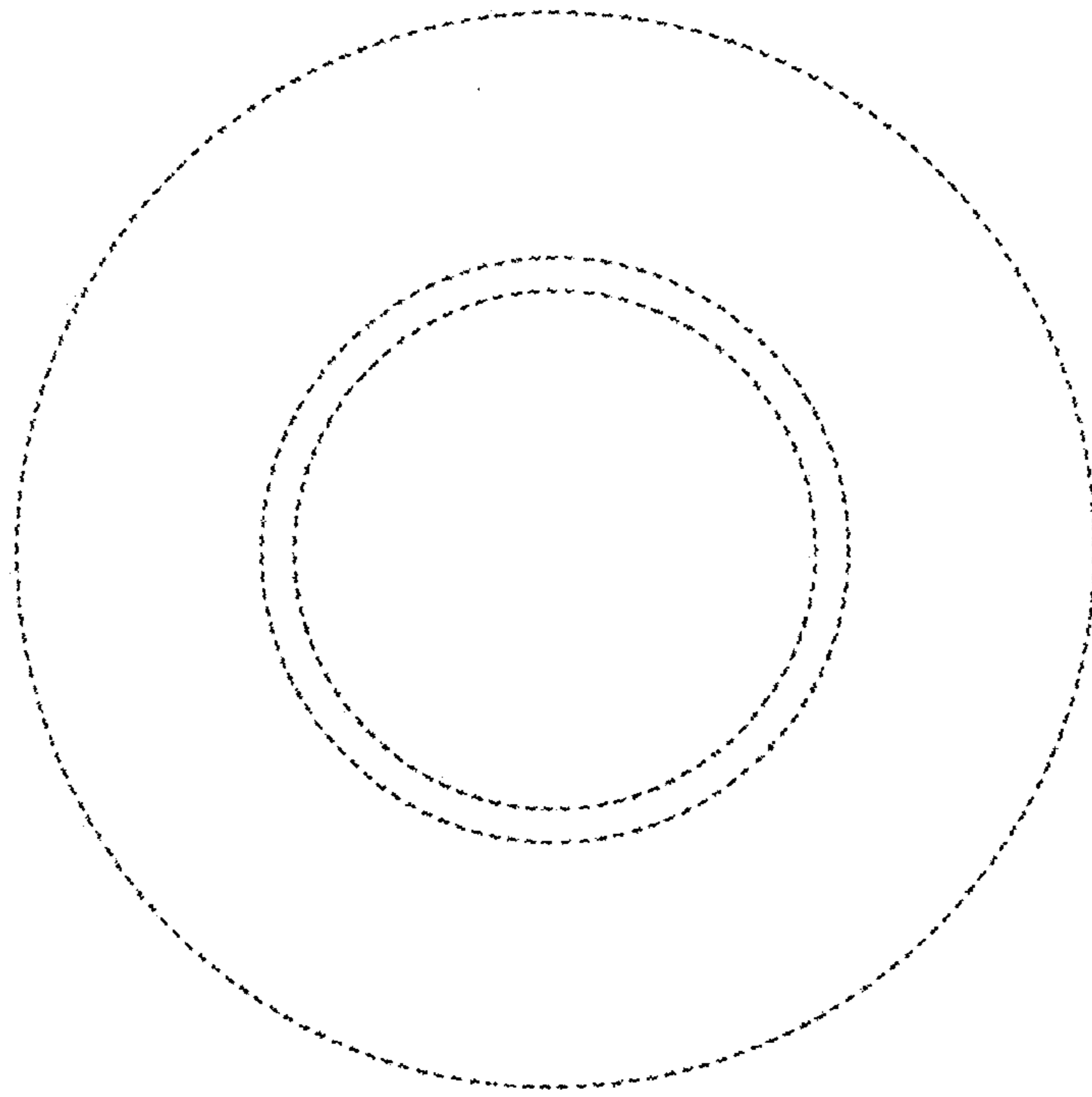


FIG. 6

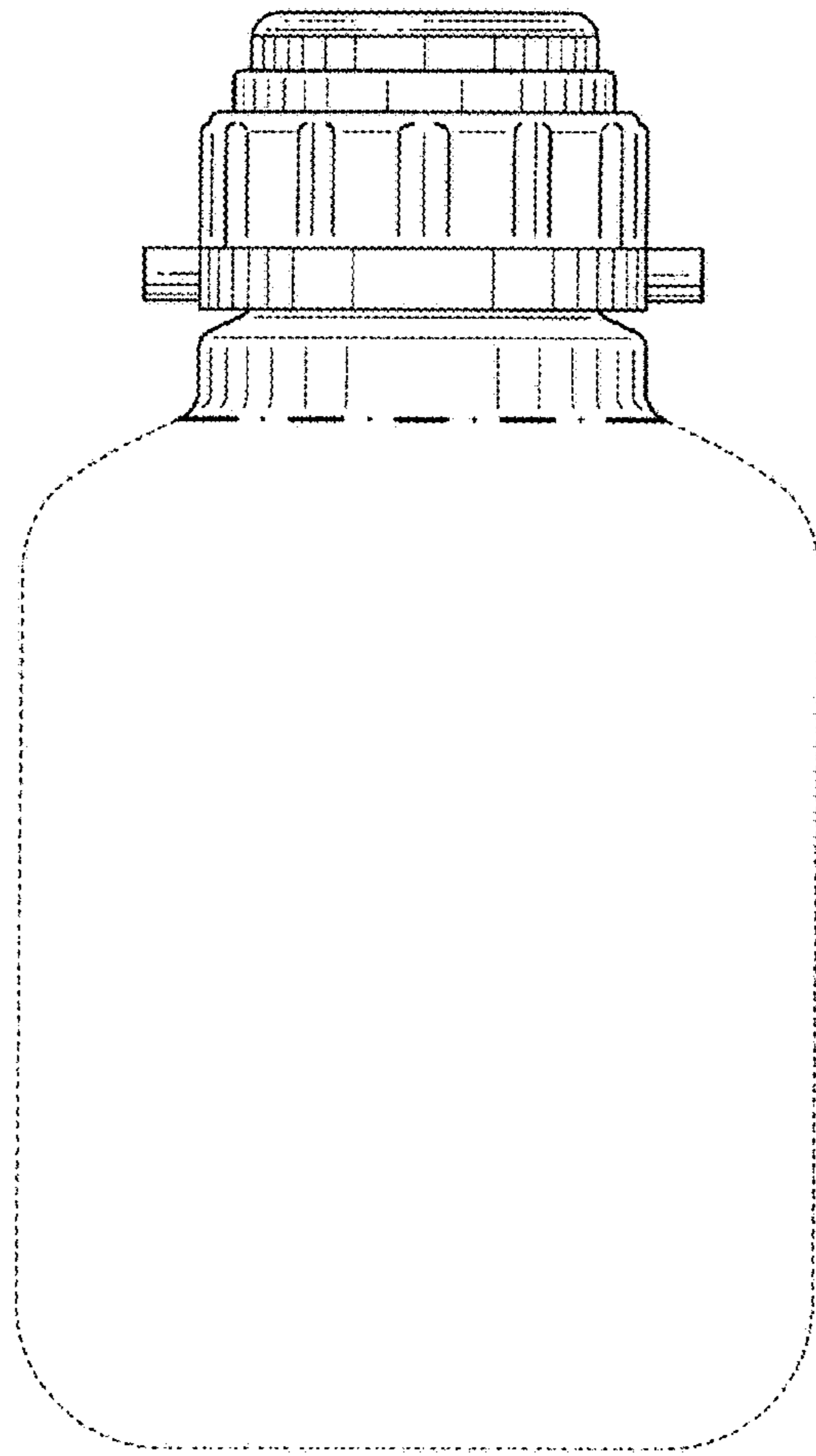


FIG. 7