



US00D786955S

(12) **United States Design Patent** (10) **Patent No.:** **US D786,955 S**  
**Taylor et al.** (45) **Date of Patent:** **\*\* May 16, 2017**

(54) **COMPONENT OF A MOUNT FOR A DIGITAL VIDEO CAMERA**

(71) Applicant: **TomTom International B.V.**,  
Amsterdam (NL)  
(72) Inventors: **Christopher James Taylor**, London  
(GB); **Martin Riddiford**, London (GB)  
(73) Assignee: **TomTom International B.V.**,  
Amsterdam (NL)  
(\*\*) Term: **15 Years**  
(21) Appl. No.: **29/543,965**  
(22) Filed: **Oct. 29, 2015**

(30) **Foreign Application Priority Data**

Apr. 29, 2015 (EM) ..... 002692343  
(51) **LOC (10) Cl.** ..... **16-05**  
(52) **U.S. Cl.**  
USPC ..... **D16/245**  
(58) **Field of Classification Search**  
USPC ..... D16/237, 242-245, 207, 241, 202, 203;  
D8/354, 355; D14/224, 224.1, 253;  
D13/108; 396/428, 419, 420; D12/114,  
D12/223  
CPC ..... F16M 11/14; F16M 11/041; F16M 11/04;  
F16M 11/2078; F16M 11/28; F16M  
11/2021; F16M 11/12; F16M 11/10;  
F16M 2200/022; F16M 2200/027; F16M  
13/00; F16M 13/02; F16M 13/022; A43C  
11/165; G03B 17/561; G03B 17/566;  
G03B 17/563; G03B 2215/056; B60R  
2011/0059; B60R 2011/008; B60R 11/02;  
Y10T 24/2187

See application file for complete search history.

(56) **References Cited**

U.S. PATENT DOCUMENTS

D387,791 S \* 12/1997 Wen ..... D16/242  
D607,038 S \* 12/2009 Carlesso ..... D16/245  
8,353,087 B2 \* 1/2013 Chen ..... A43C 11/165  
24/68 SK  
D723,091 S \* 2/2015 Hale ..... D16/244  
D735,557 S \* 8/2015 Leshem ..... D8/354  
9,097,379 B1 \* 8/2015 Strasser ..... F16M 11/04  
9,164,126 B1 \* 10/2015 Rodda ..... G01R 1/04  
2006/0255215 A1 \* 11/2006 Carnevali ..... F16M 11/14  
248/125.8  
2007/0036539 A1 \* 2/2007 Martinez ..... F16M 11/04  
396/419  
2010/0237206 A1 \* 9/2010 Barker ..... F16M 11/04  
248/206.5  
2014/0226963 A1 \* 8/2014 Ryan ..... F16M 11/041  
396/428

\* cited by examiner

*Primary Examiner* — Susan Bennett Hattan  
*Assistant Examiner* — Brett Miller

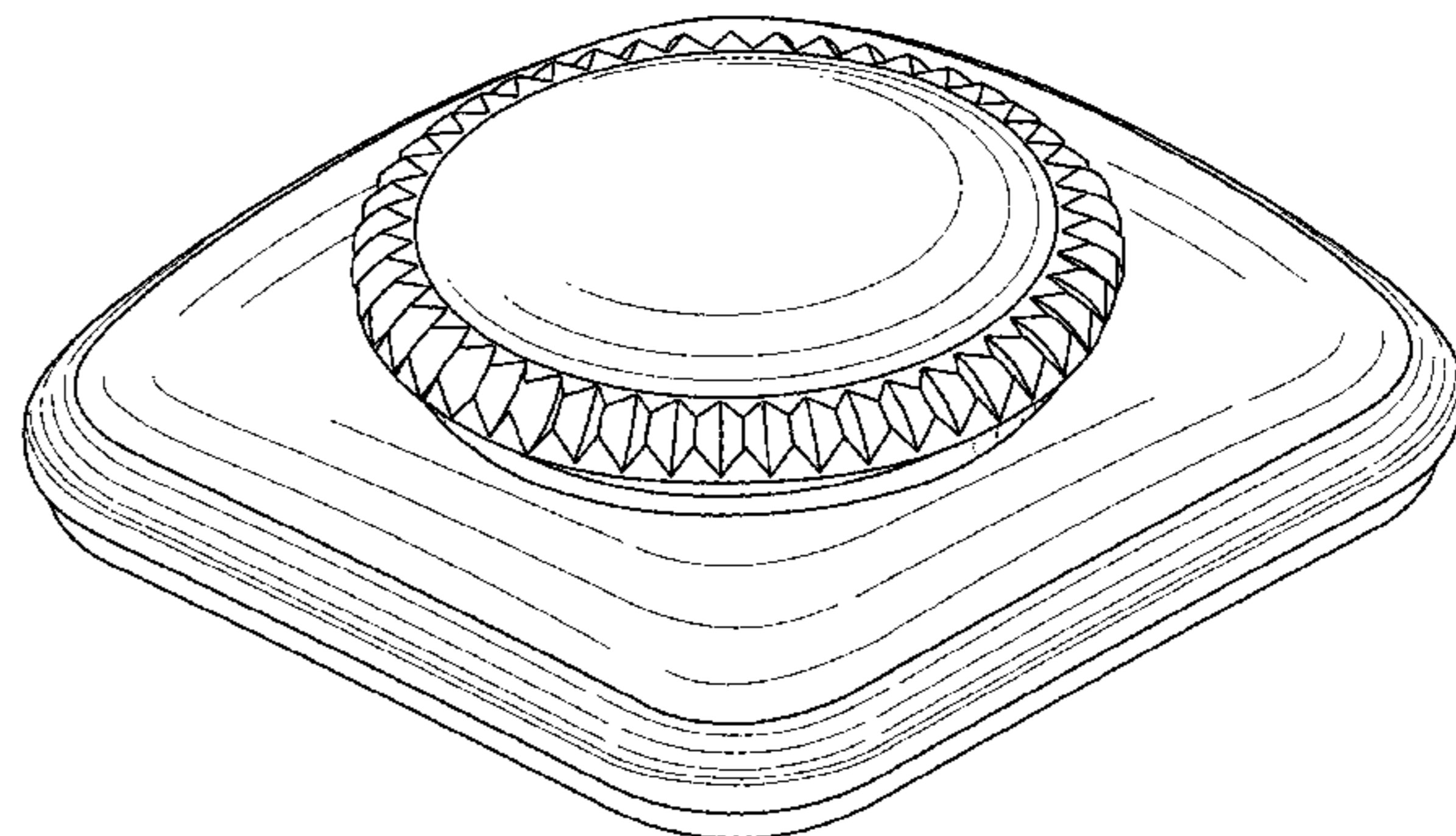
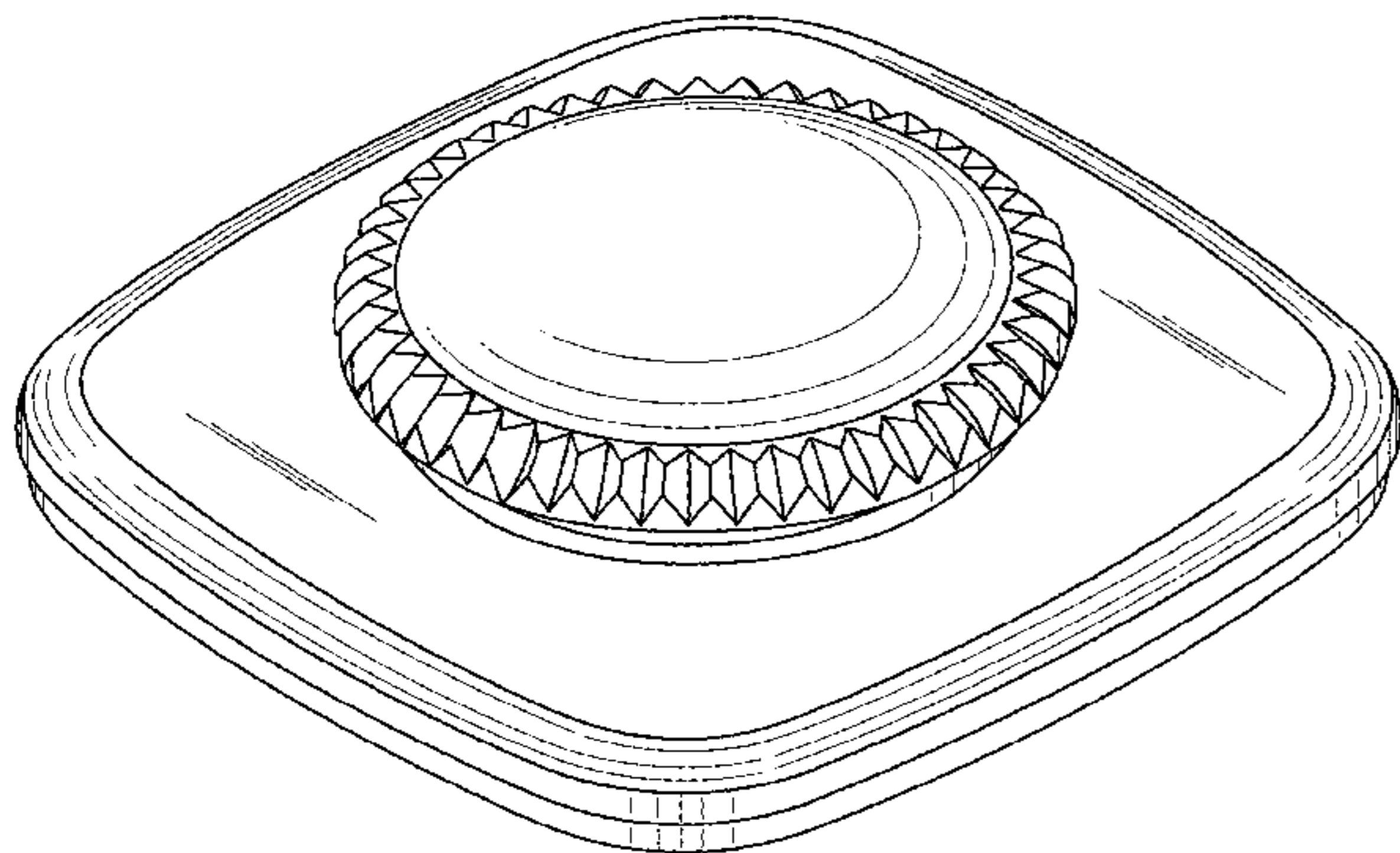
(57) **CLAIM**

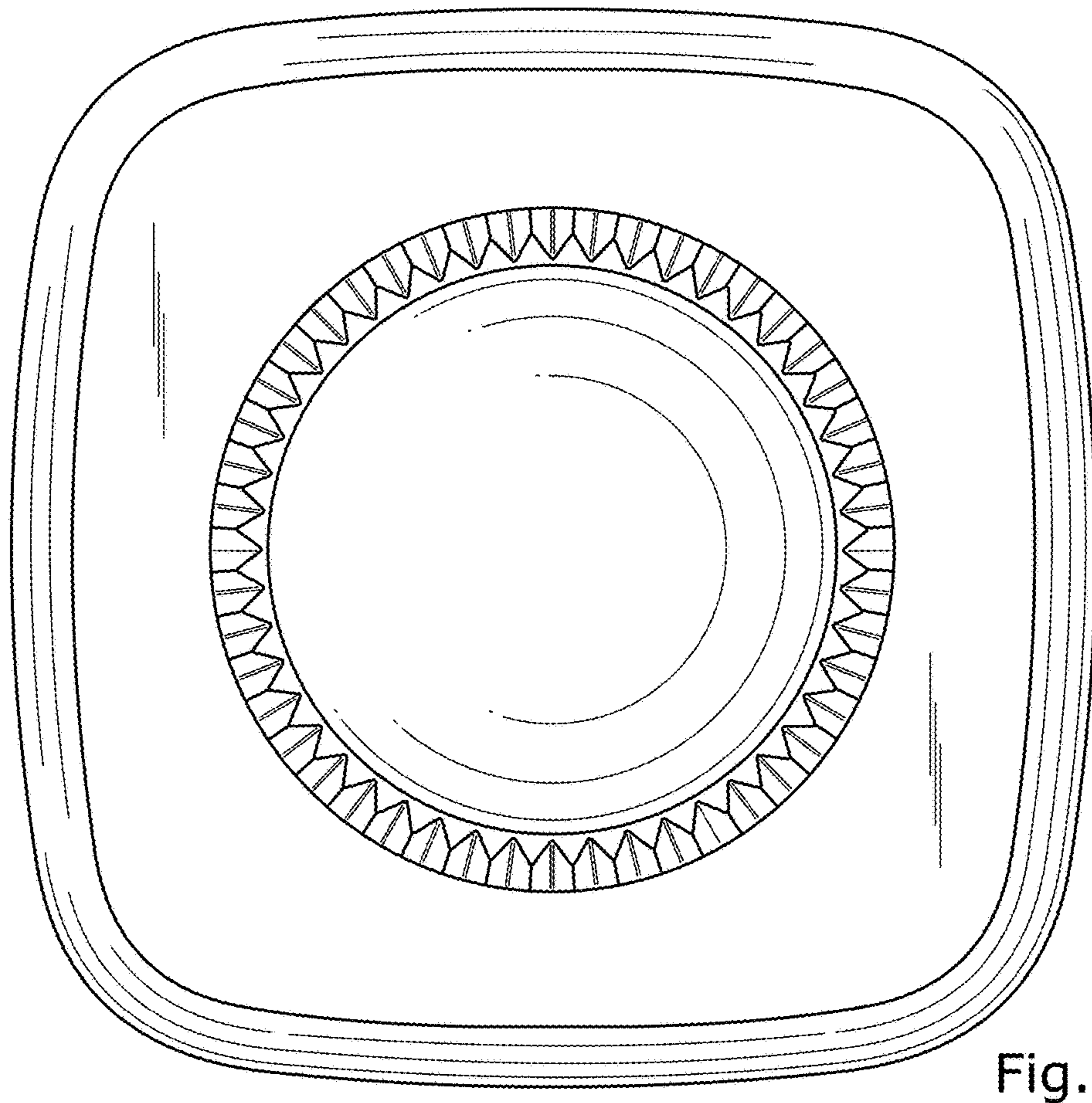
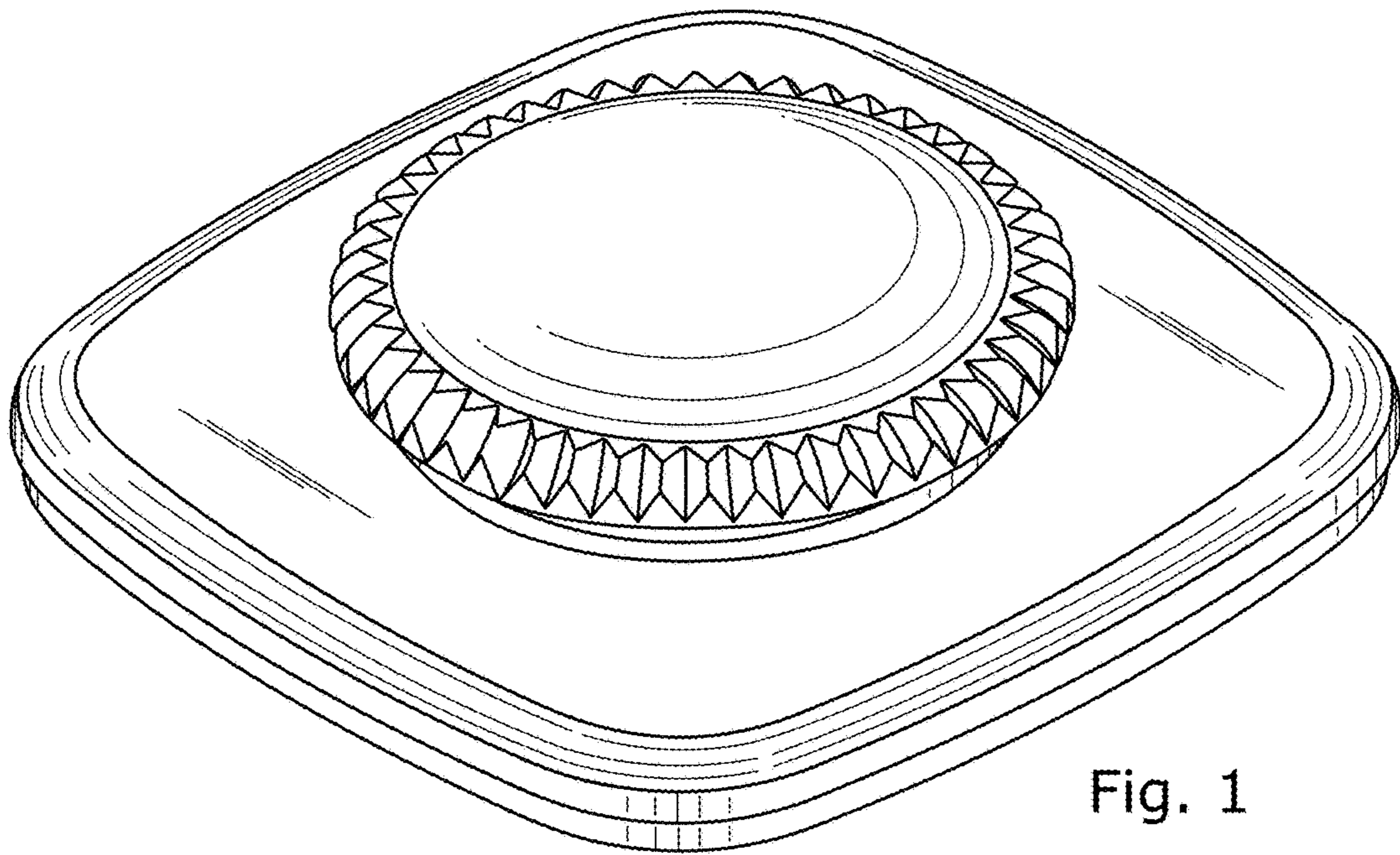
The ornamental design for a component of a mount for a digital video camera, as shown and described.

**DESCRIPTION**

FIG. 1 is a perspective view of a first embodiment of a component of a mount for a digital camera; said component being a flat mount disc.  
FIG. 2 is a top view of the first embodiment.  
FIG. 3 is a side view of the first embodiment.  
FIG. 4 is a perspective view of a second embodiment of a component of a mount for a digital camera; said component being a curved mount disc.  
FIG. 5 is a top view of the second embodiment; and,  
FIG. 6 is a side view of the second embodiment.

**1 Claim, 4 Drawing Sheets**





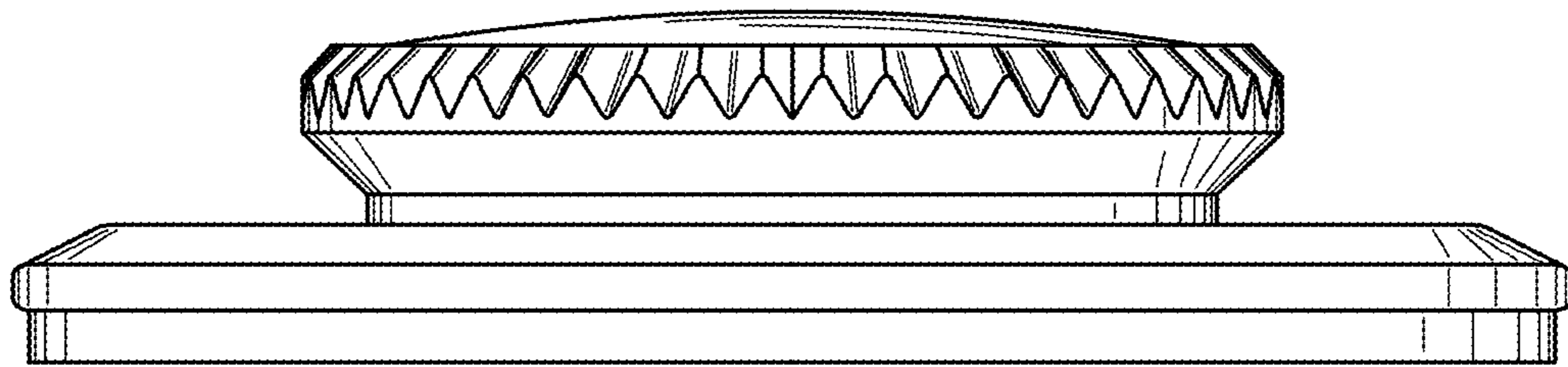


Fig. 3

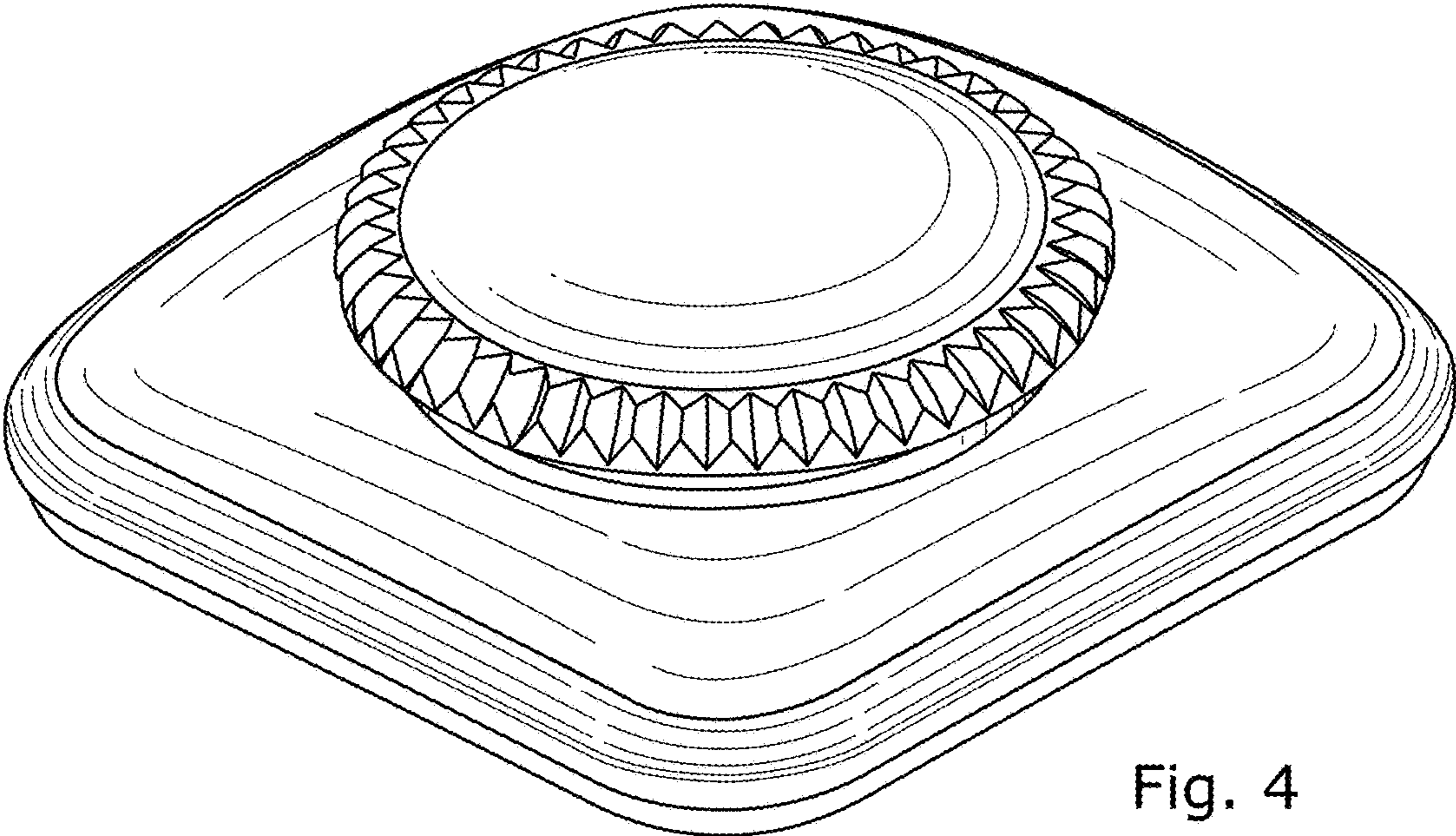


Fig. 4

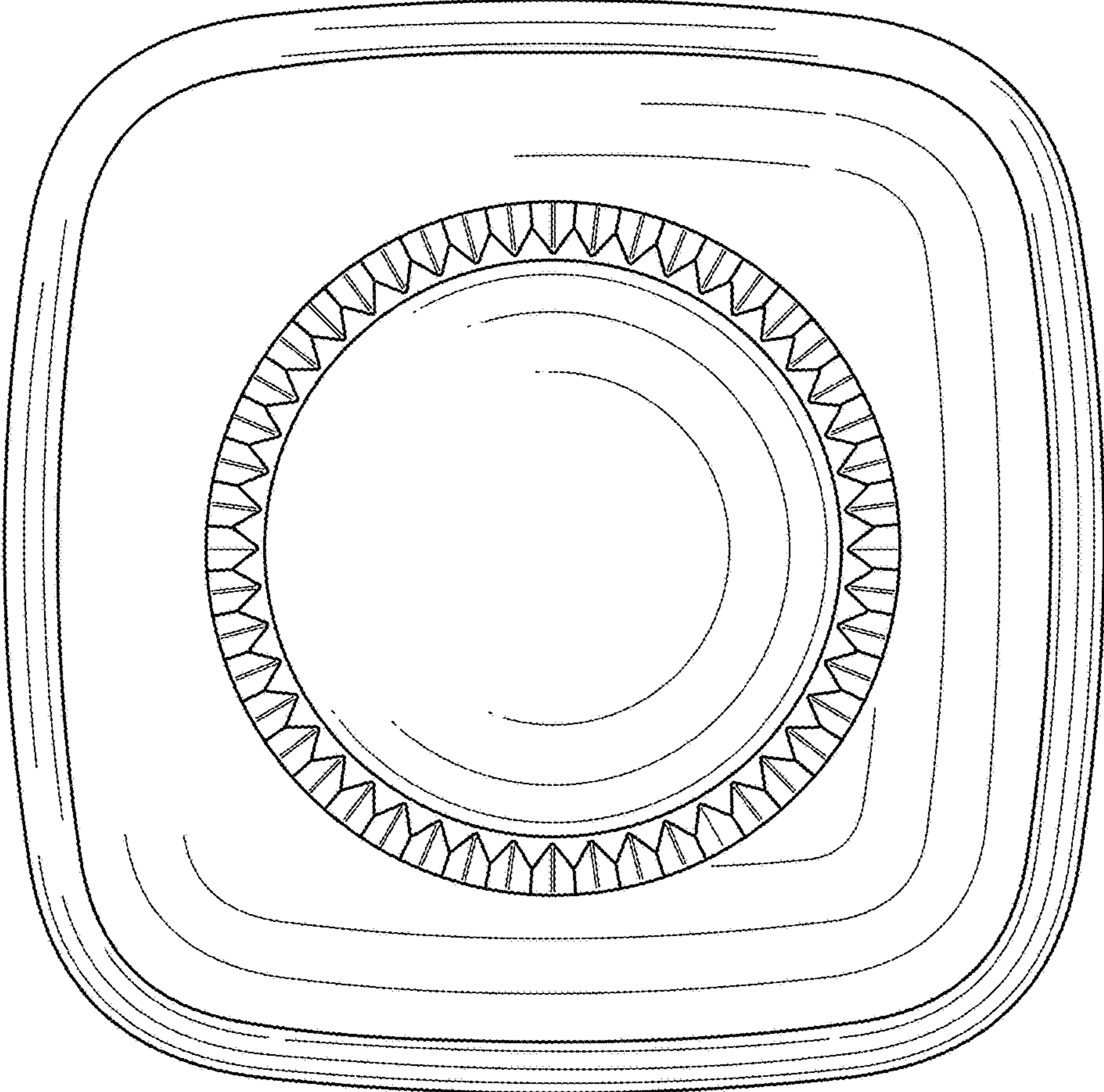


Fig. 5

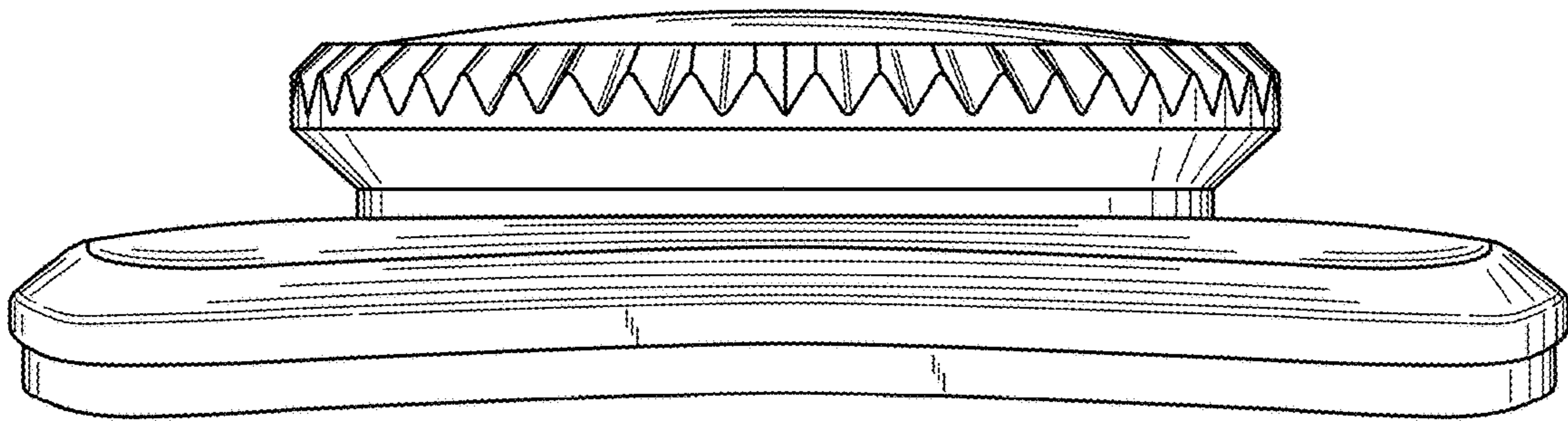


Fig. 6