



US00D786954S

(12) **United States Design Patent**  
**Tagawa et al.**

(10) **Patent No.:** **US D786,954 S**

(45) **Date of Patent:** **\*\* May 16, 2017**

- (54) **CAMERA LENS**
- (71) Applicant: **TAMRON CO., LTD.**, Saitama-shi, Saitama (JP)
- (72) Inventors: **Kinya Tagawa**, Tokyo (JP); **Shota Matsuda**, Tokyo (JP)
- (73) Assignee: **TAMRON CO., LTD.**, Saitama-shi (JP)
- (\*\*) Term: **15 Years**
- (21) Appl. No.: **29/537,989**
- (22) Filed: **Aug. 31, 2015**
- (30) **Foreign Application Priority Data**

- Jul. 29, 2015 (JP) ..... 2015-016903
- (51) **LOC (10) Cl.** ..... **16-05**
- (52) **U.S. Cl.**  
USPC ..... **D16/219**
- (58) **Field of Classification Search**  
USPC ..... D16/200, 210, 211, 218, 219, 202–206,  
D16/208, 201, 217; D9/414, 418, 427,  
D9/430, 432; D6/517, 524, 527, 528,  
D6/531, 535, 559; D14/174, 194, 204,  
D14/221; 348/148, 372–376; 396/529,  
396/535, 539–541  
CPC ..... G03B 15/03; G03B 17/02; G03B 17/04;  
G03B 17/56; G03B 19/04; G03B 1/00;  
G03B 7/00; G03B 13/02; G03B 13/04;  
G03B 13/1963; H04N 5/2251; H04N  
5/2252; H04N 5/2253; H04N 5/2254  
See application file for complete search history.

(56) **References Cited**

**U.S. PATENT DOCUMENTS**

- D119,256 S \* 3/1940 Darling ..... D16/134
- 2,926,576 A \* 3/1960 Gunther ..... G03B 17/02  
396/91

- 2,926,579 A \* 3/1960 Gebele ..... G03B 17/02  
396/144
- 2,935,920 A \* 5/1960 Rentschler ..... G03B 7/04  
396/298
- 3,906,534 A \* 9/1975 Shirasaki ..... G02B 7/14  
359/828
- D376,286 S \* 12/1996 Duarte ..... D6/559
- D433,044 S \* 10/2000 Nagaoka ..... D16/134
- D441,382 S \* 5/2001 Konno ..... D16/134
- D449,322 S \* 10/2001 Ono ..... D16/134
- D529,065 S \* 9/2006 Watanabe ..... D16/134
- D552,147 S \* 10/2007 Tajima ..... D16/134

(Continued)

*Primary Examiner* — Robin V Webster  
*Assistant Examiner* — Rachel Voorhies  
 (74) *Attorney, Agent, or Firm* — Westerman, Hattori,  
 Daniels & Adrian, LLP

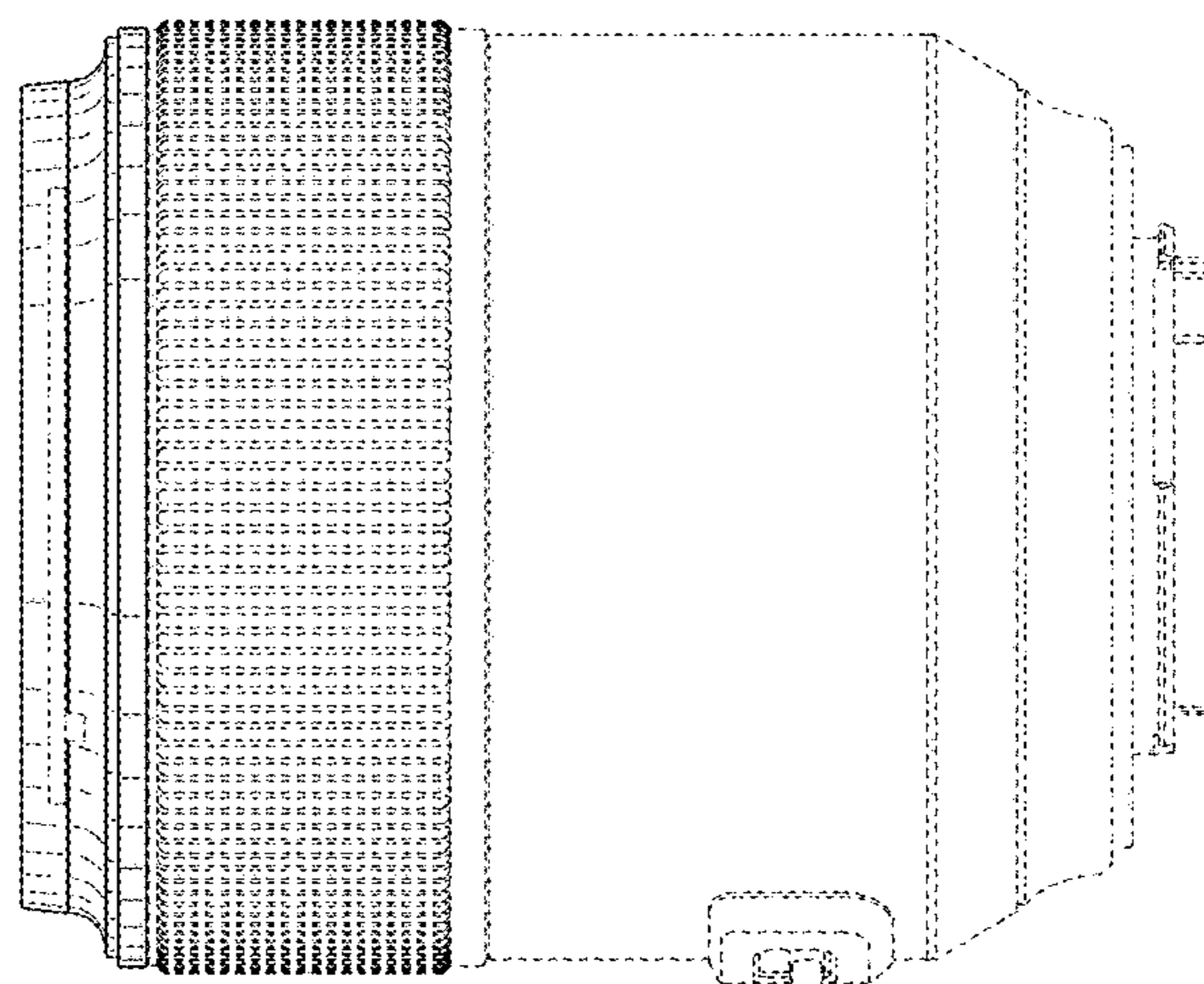
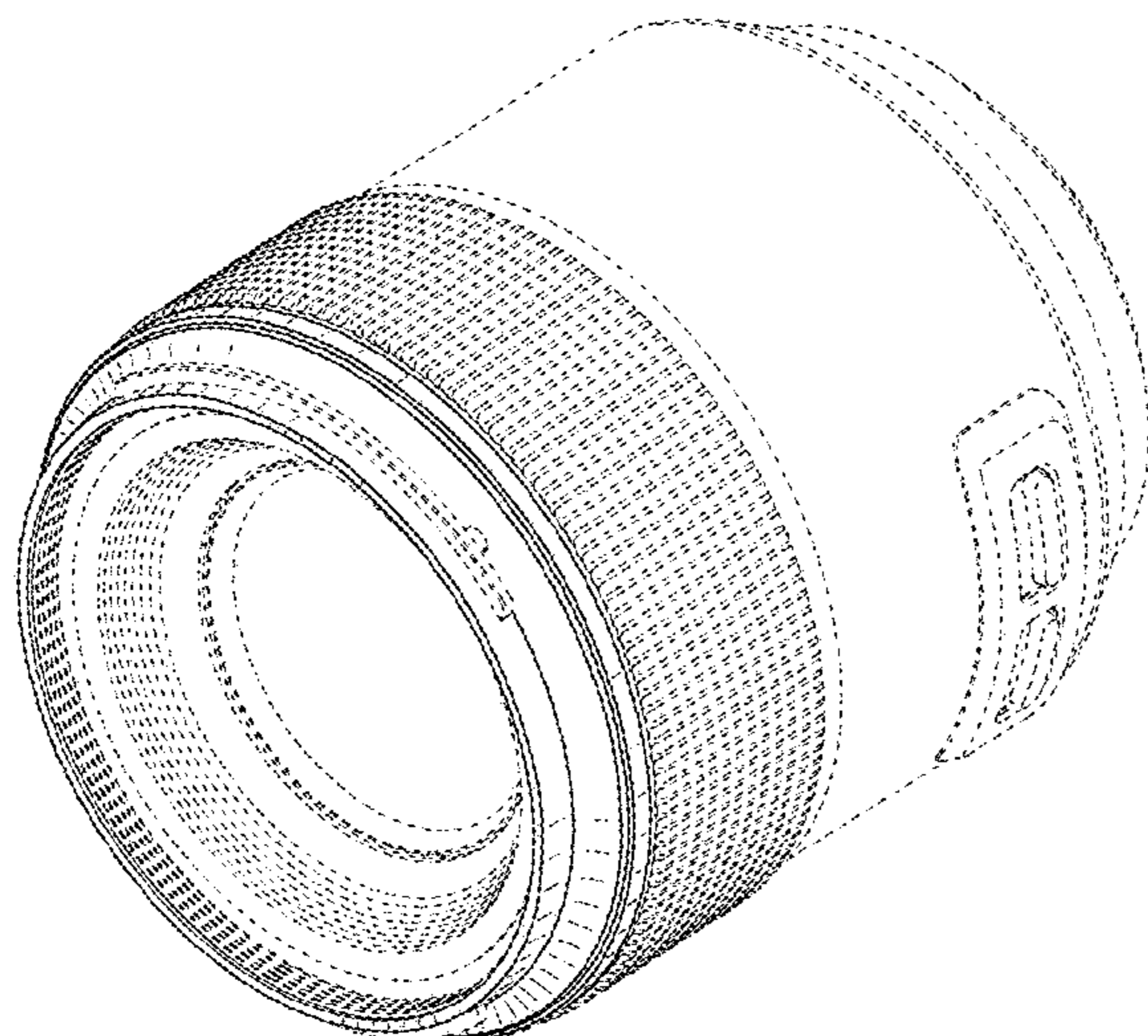
(57) **CLAIM**

The ornamental design for a camera lens, as shown and described.

**DESCRIPTION**

FIG. 1 is a front, left, bottom perspective view of a camera lens, showing our new design,  
 FIG. 2 is a rear, right, top perspective view plan side thereof,  
 FIG. 3 is a front elevation view thereof,  
 FIG. 4 is a rear elevation thereof,  
 FIG. 5 is a left side elevation view thereof,  
 FIG. 6 is a right side elevation view thereof,  
 FIG. 7 is a top plan view thereof,  
 FIG. 8 is a bottom plan view thereof,  
 FIG. 9 is another left side elevation view thereof; and,  
 FIG. 10 is a cross section thereof taken along a line 10-10 in FIG. 9, in which the inside mechanism of the camera lens, which is not claimed, is omitted.  
 The broken lines in the drawings illustrate portions of the camera lens which form no part of the claimed design.

**1 Claim, 5 Drawing Sheets**



(56)

**References Cited**

U.S. PATENT DOCUMENTS

D562,865	S *	2/2008	Yasutomi .....	D16/134
D566,158	S *	4/2008	Yasutomi .....	D16/134
D583,847	S *	12/2008	Watanabe .....	D16/134
D665,837	S *	8/2012	Tainaka .....	D16/134
D682,911	S *	5/2013	Ohashi .....	D16/219
D688,292	S *	8/2013	Koyama .....	D16/219
D696,709	S *	12/2013	Sato .....	D16/219
D697,542	S *	1/2014	Kim .....	D16/219
D697,543	S *	1/2014	Kim .....	D16/219
D698,847	S *	2/2014	Tainaka .....	D16/219
D713,870	S *	9/2014	Li .....	D16/219
D718,362	S *	11/2014	Noh .....	D16/219
D724,644	S *	3/2015	Tainaka .....	D16/219
D736,847	S *	8/2015	Kobayashi .....	D16/134
D737,360	S *	8/2015	Jung .....	D16/219
D741,937	S *	10/2015	Park .....	D16/219
D744,024	S *	11/2015	Oh .....	D16/219
D756,441	S *	5/2016	Kobayashi .....	D16/134
2014/0112653	A1 *	4/2014	Cheng .....	G03B 11/041 396/448
2015/0326788	A1 *	11/2015	Tsuge .....	G03B 17/14 348/211.1

\* cited by examiner

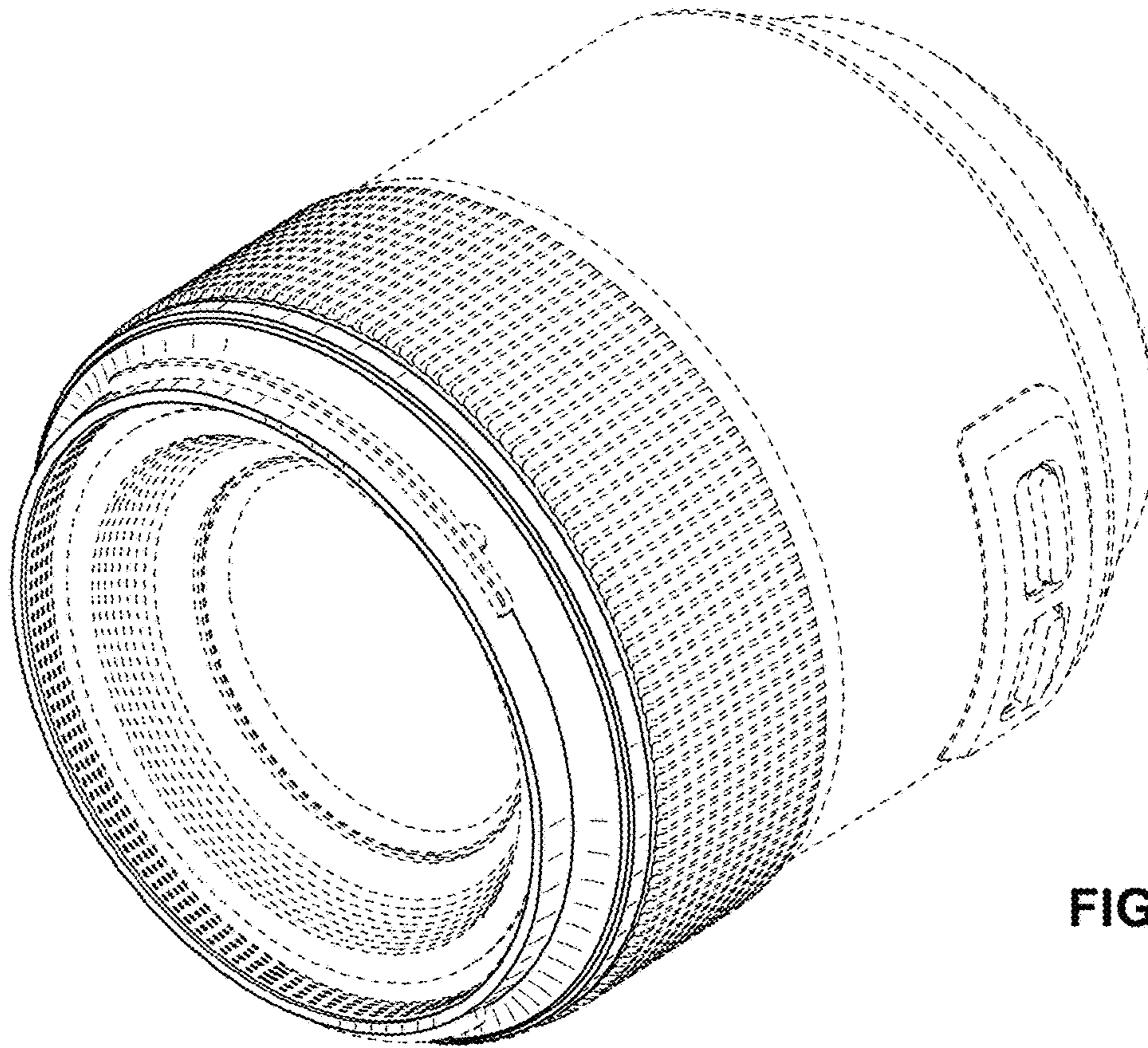


FIG. 1

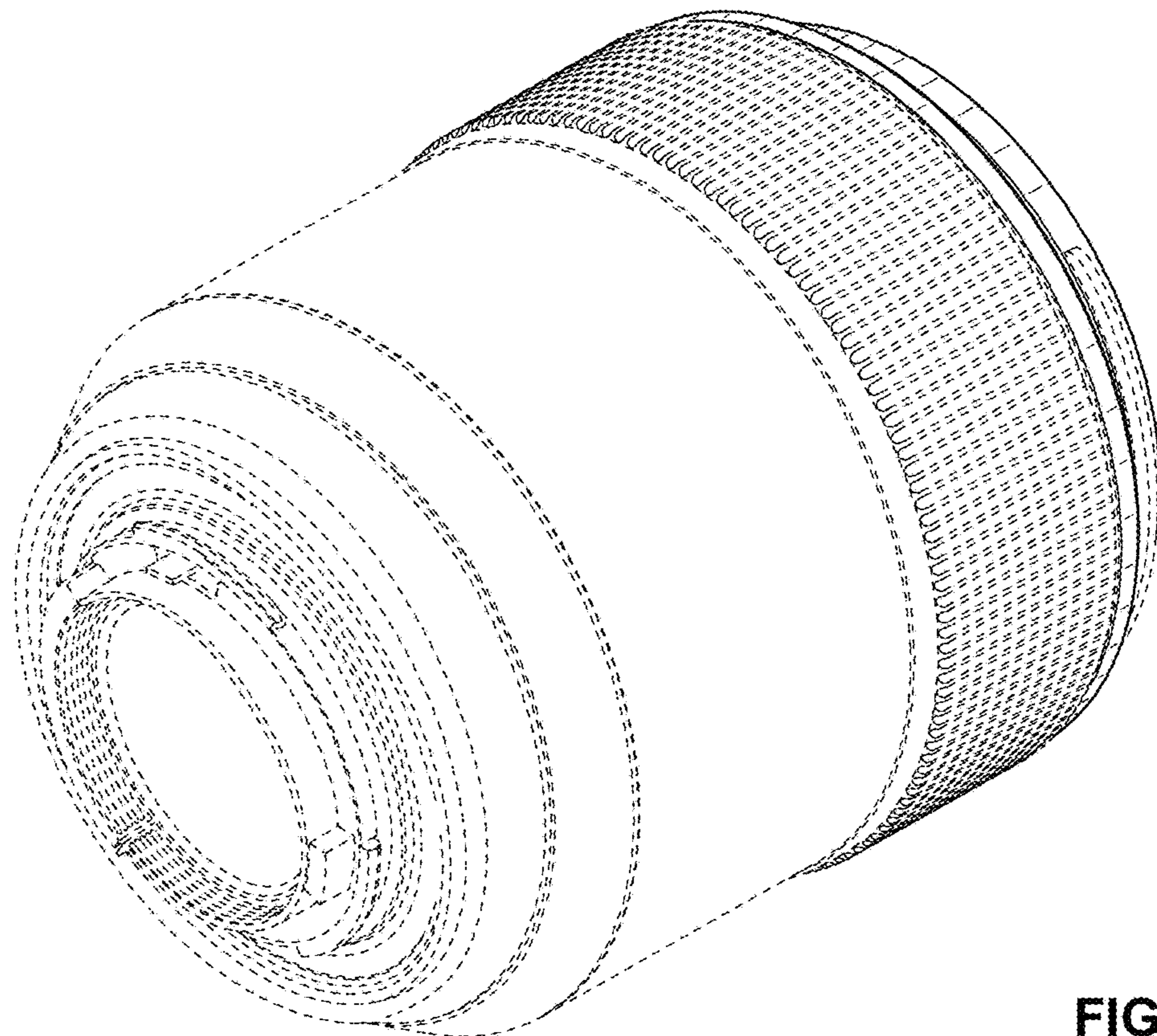


FIG. 2

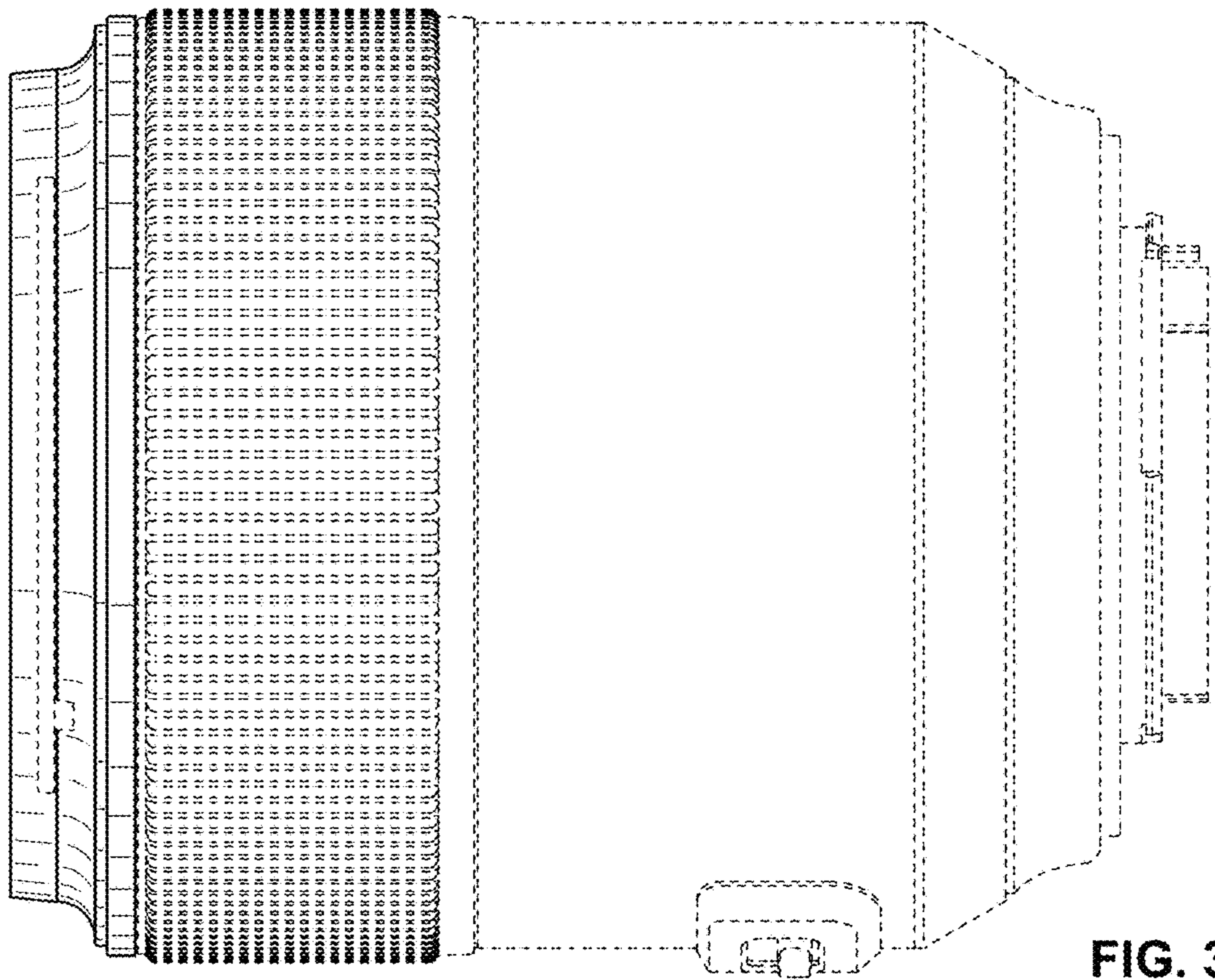


FIG. 3

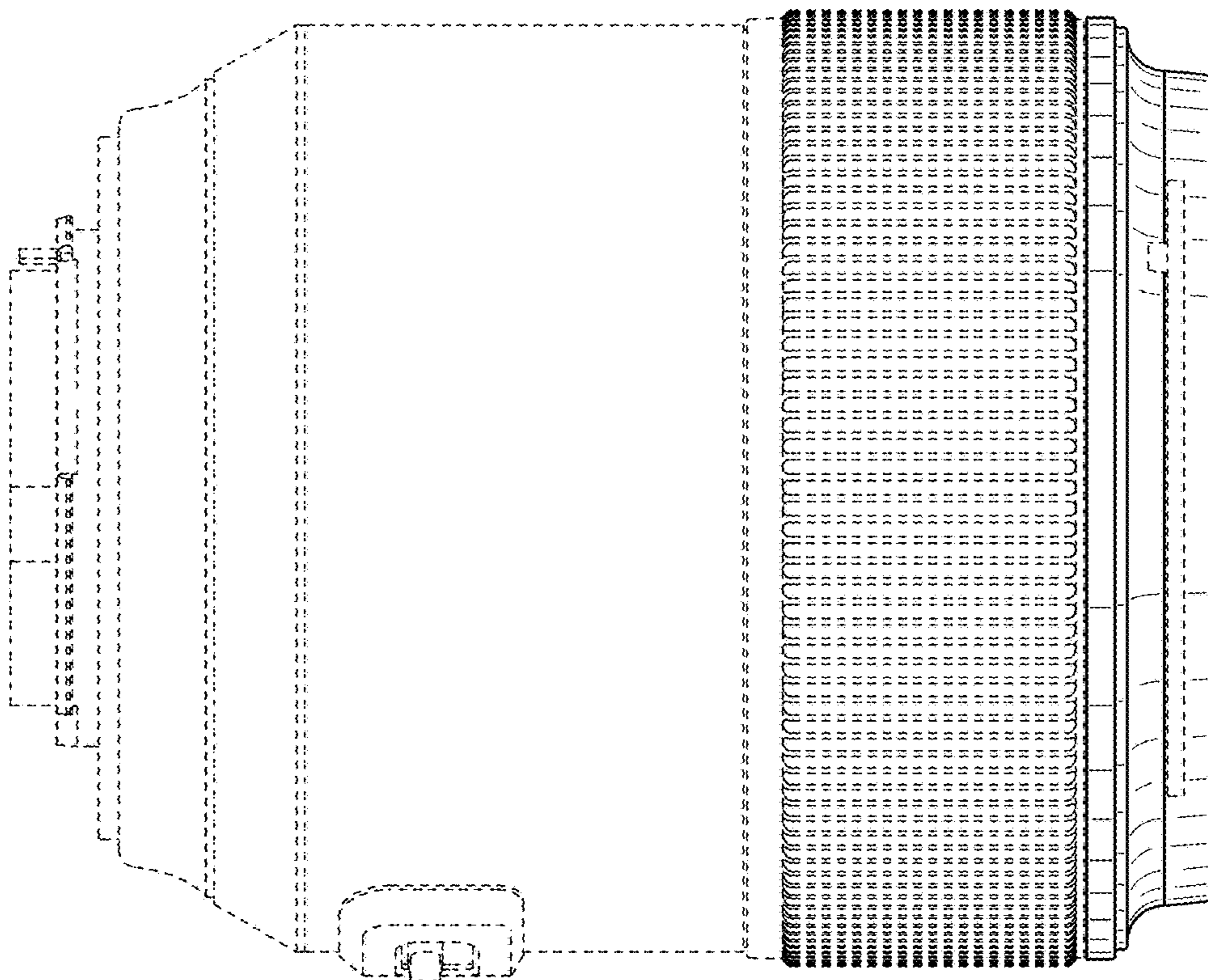


FIG. 4

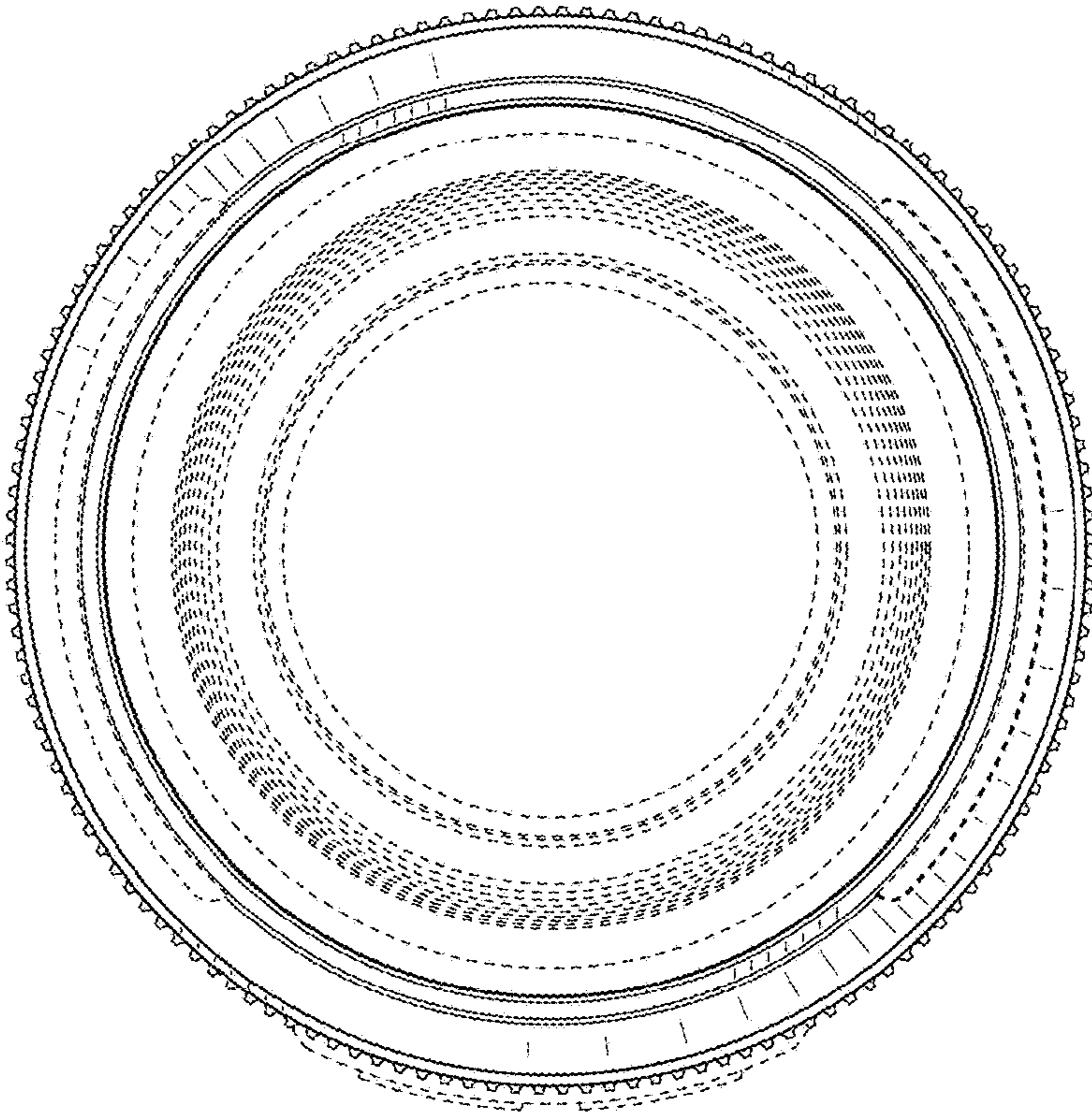


FIG. 5

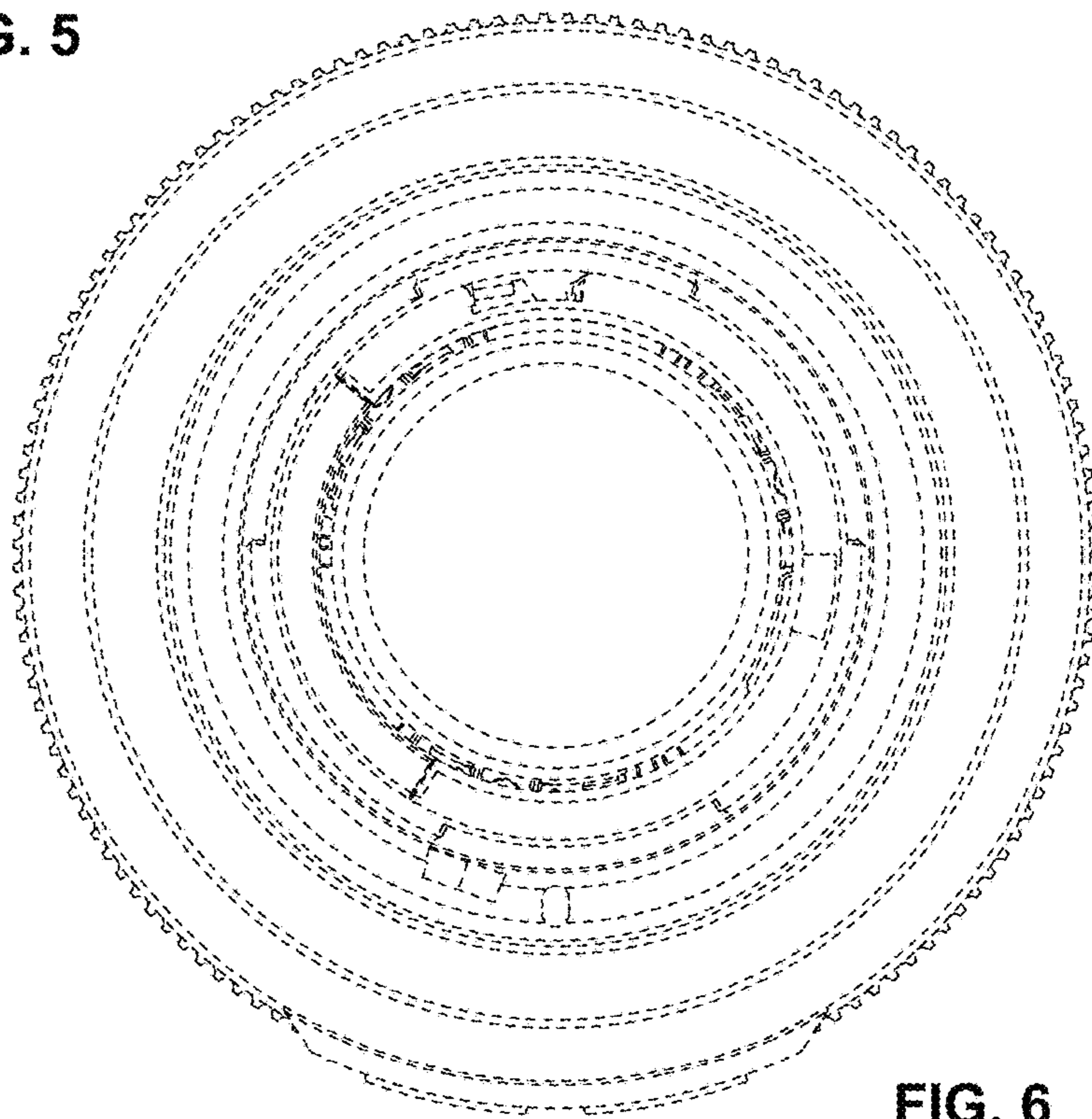


FIG. 6

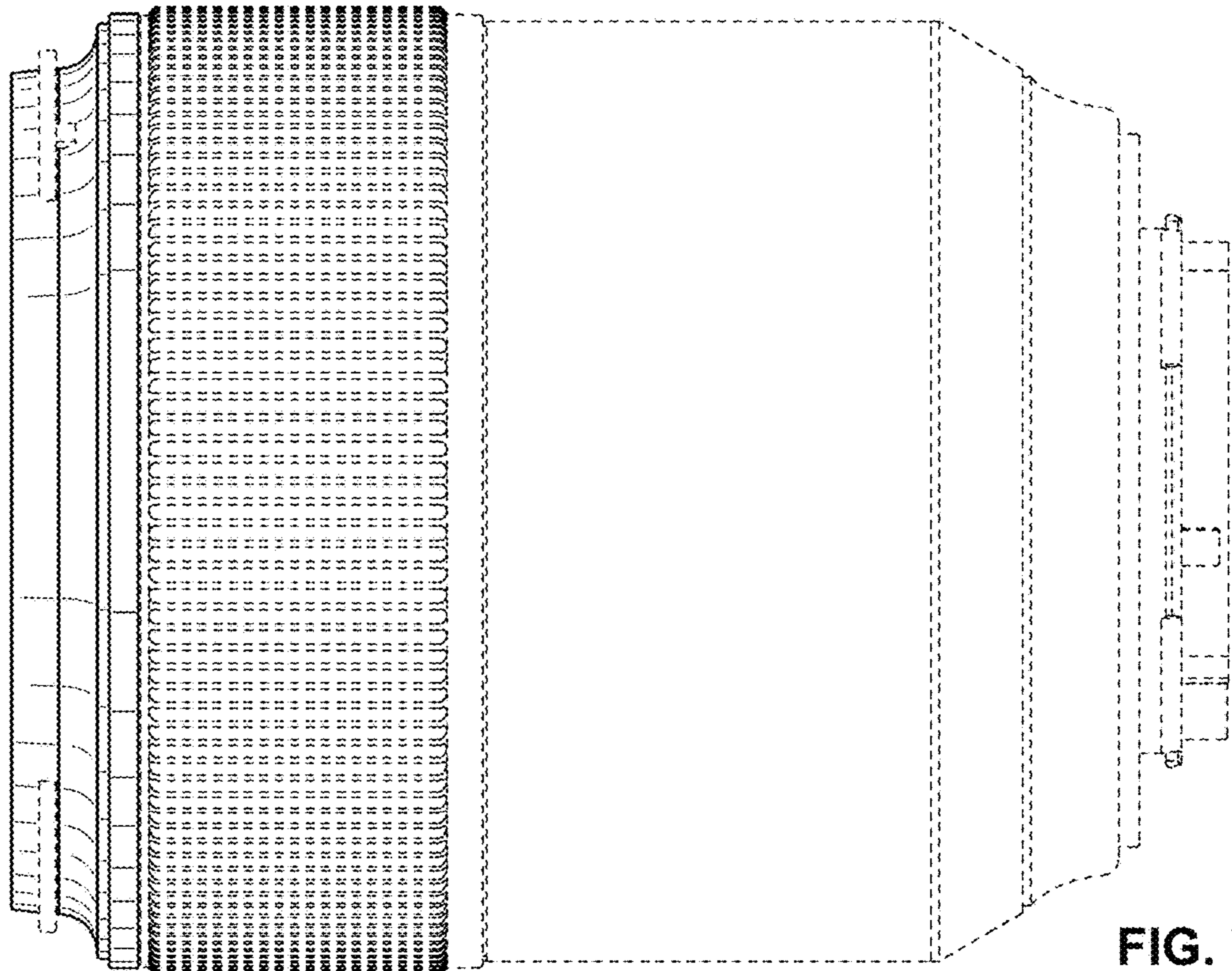


FIG. 7

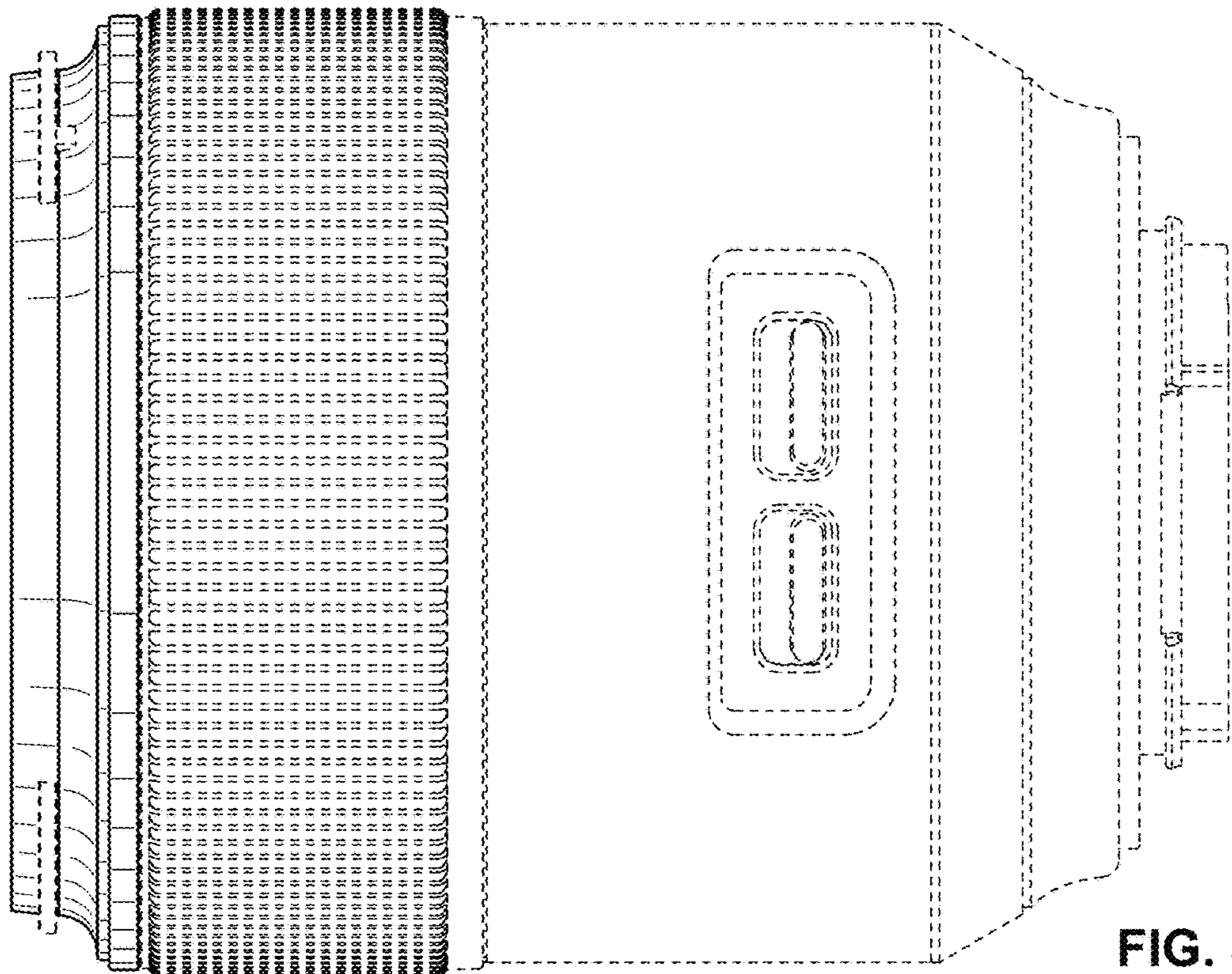


FIG. 8

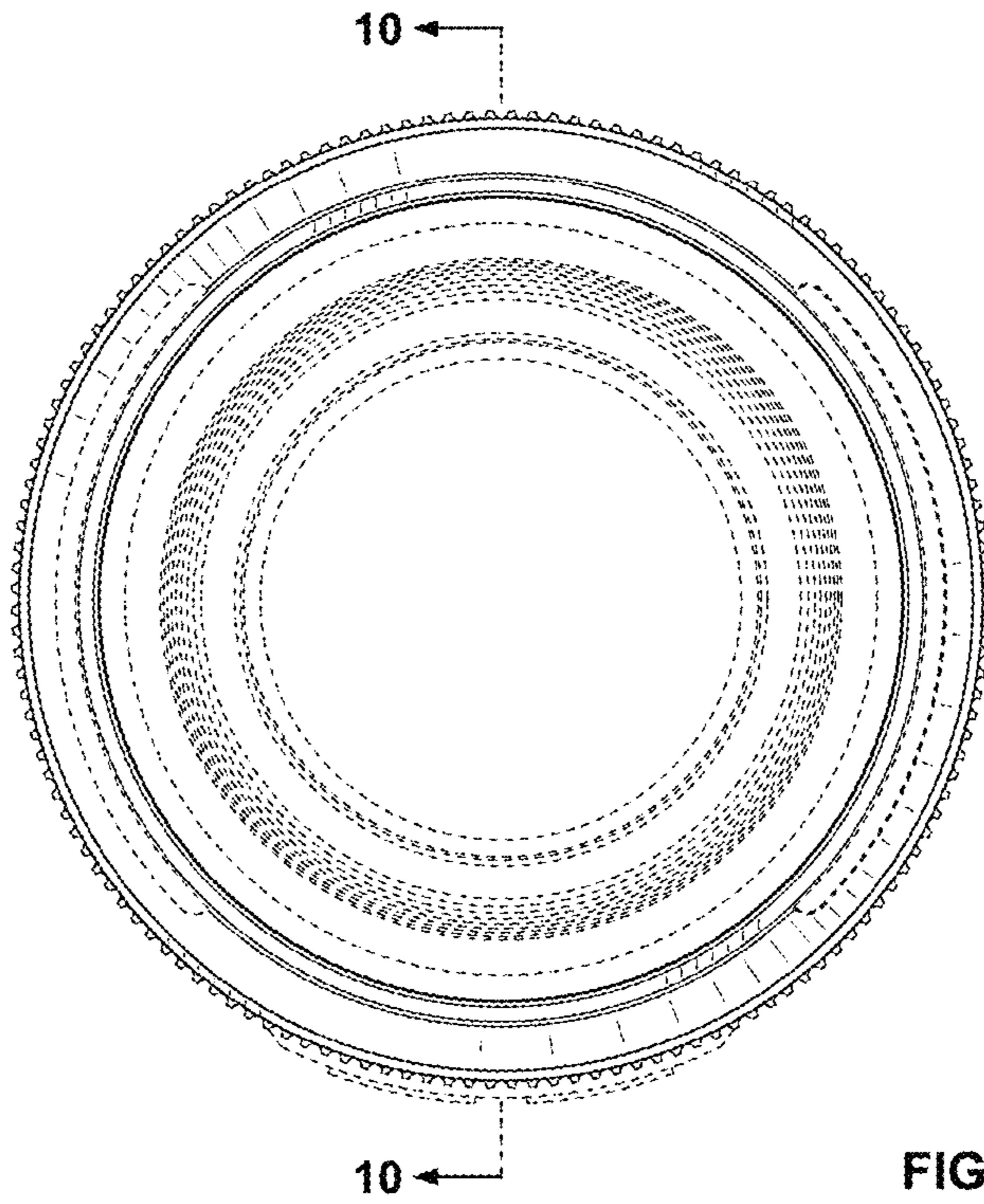


FIG. 9

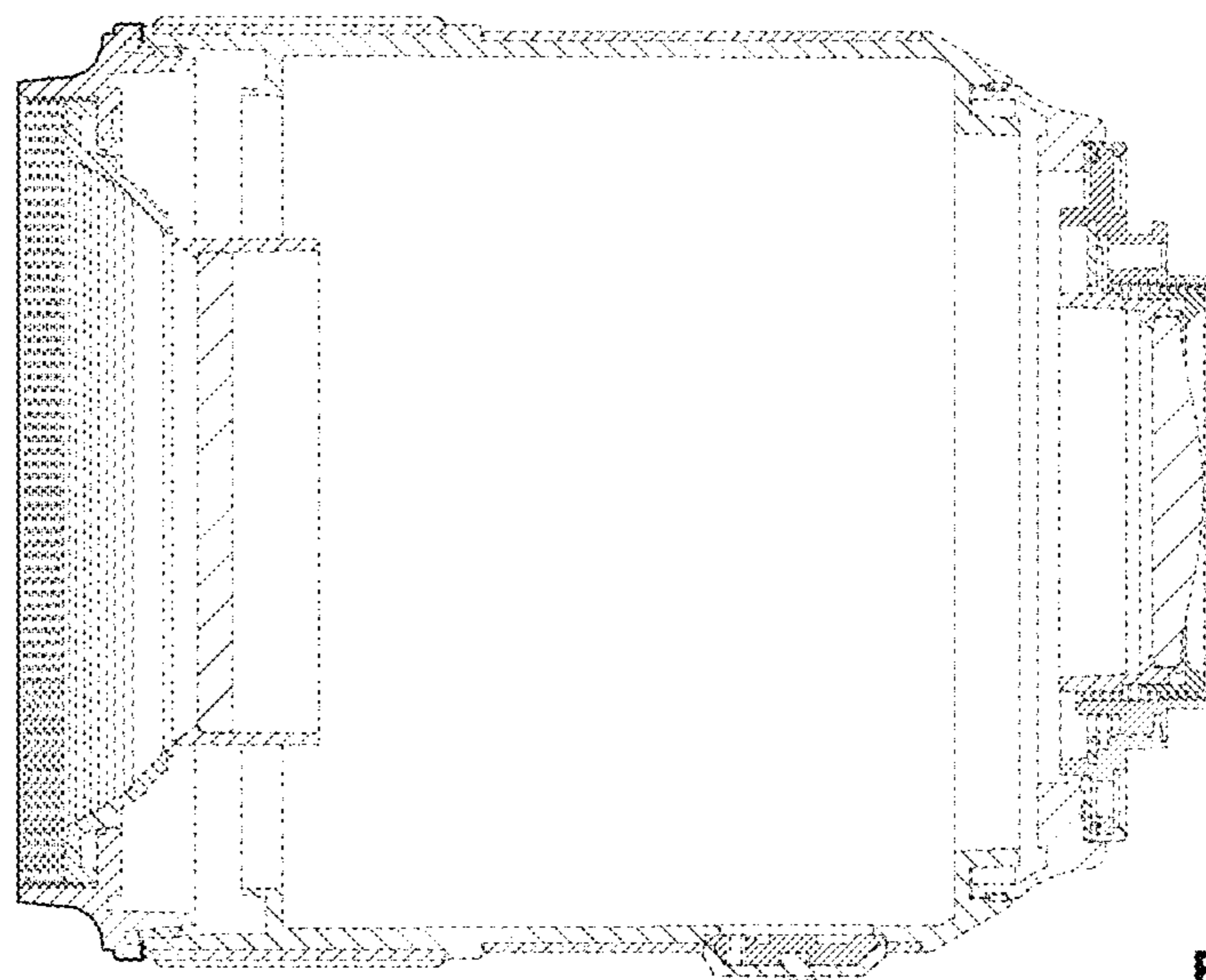


FIG. 10