



US00D786951S

(12) **United States Design Patent** (10) **Patent No.:** **US D786,951 S**
Osaka et al. (45) **Date of Patent:** **** May 16, 2017**

(54) **REACTION TUBE**

(56) **References Cited**

(71) Applicant: **Hitachi Kokusai Electric Inc.**, Tokyo (JP)

U.S. PATENT DOCUMENTS

5,743,967 A * 4/1998 Kobori C23C 16/4585
 118/500
 9,054,046 B2 * 6/2015 Hirose H01L 21/31

(72) Inventors: **Akihiro Osaka**, Toyama (JP); **Hideto Yamaguchi**, Toyama (JP); **Motoya Takewaki**, Toyama (JP)

* cited by examiner

Primary Examiner — Antoine D Davis
(74) *Attorney, Agent, or Firm* — Fitch, Even, Tabin & Flannery, LLP

(73) Assignee: **HITACHI KOKUSAI ELECTRIC INC.**, Tokyo (JP)

(57) **CLAIM**

We claim the ornamental design for a reaction tube, as shown (and described).

DESCRIPTION

(**) Term: **15 Years**

FIG. 1 is a perspective view of a reaction tube showing my new design;
 FIG. 2 is a front elevational view thereof;
 FIG. 3 is a rear elevational view thereof;
 FIG. 4 is a left side elevational view thereof;
 FIG. 5 is a right side elevational view thereof;
 FIG. 6 is a top plan view thereof; and
 FIG. 7 is a bottom plan view thereof.
 FIG. 8 is a cross sectional view taken along line 8-8 in FIG. 2 thereof;
 FIG. 9 is a cross sectional view taken along line 9-9 in FIG. 2 thereof;
 FIG. 10 is a cross sectional view taken along line 10-10 in FIG. 4 thereof; and,
 FIG. 11 is a cross sectional view taken along line 11-11 in FIG. 4 thereof.

(21) Appl. No.: **29/536,780**

(22) Filed: **Aug. 19, 2015**

(30) **Foreign Application Priority Data**

Feb. 25, 2015 (JP) 2015-003958

(51) **LOC (10) Cl.** **15-09**

(52) **U.S. Cl.**
USPC **D15/122**

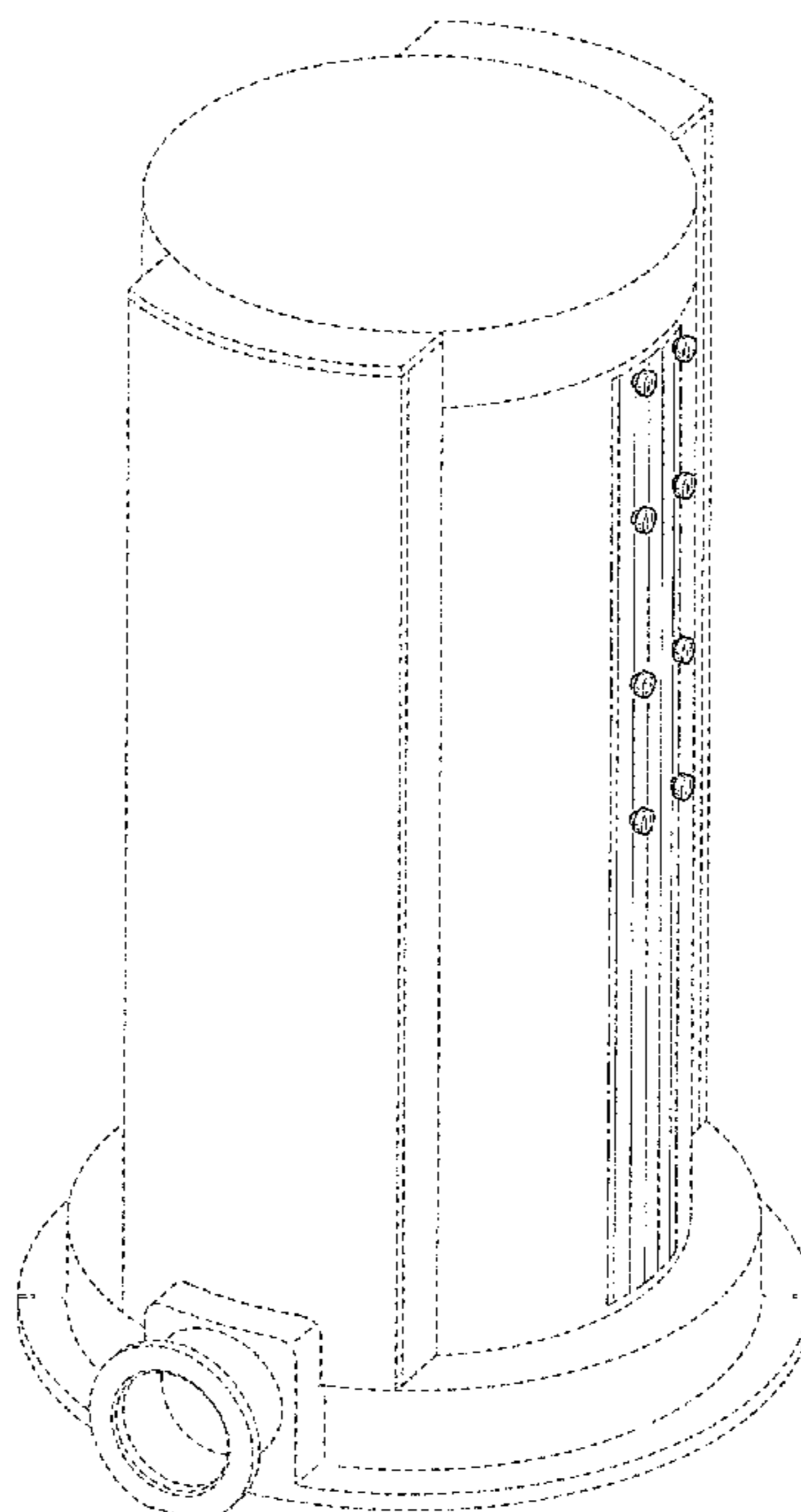
(58) **Field of Classification Search**
USPC D10/46; D15/122
CPC H01L 21/02186; H01L 21/0234; H01L 21/02274; H01L 21/02329; C23C 16/4584; C23C 16/4585; C23C 16/455

See application file for complete search history.

The dashed-dot-dashed lines represent the boundary lines of the claimed design.

The broken lines shown in the drawings represent portions of the reaction tube that form no part of the claimed design.

1 Claim, 11 Drawing Sheets



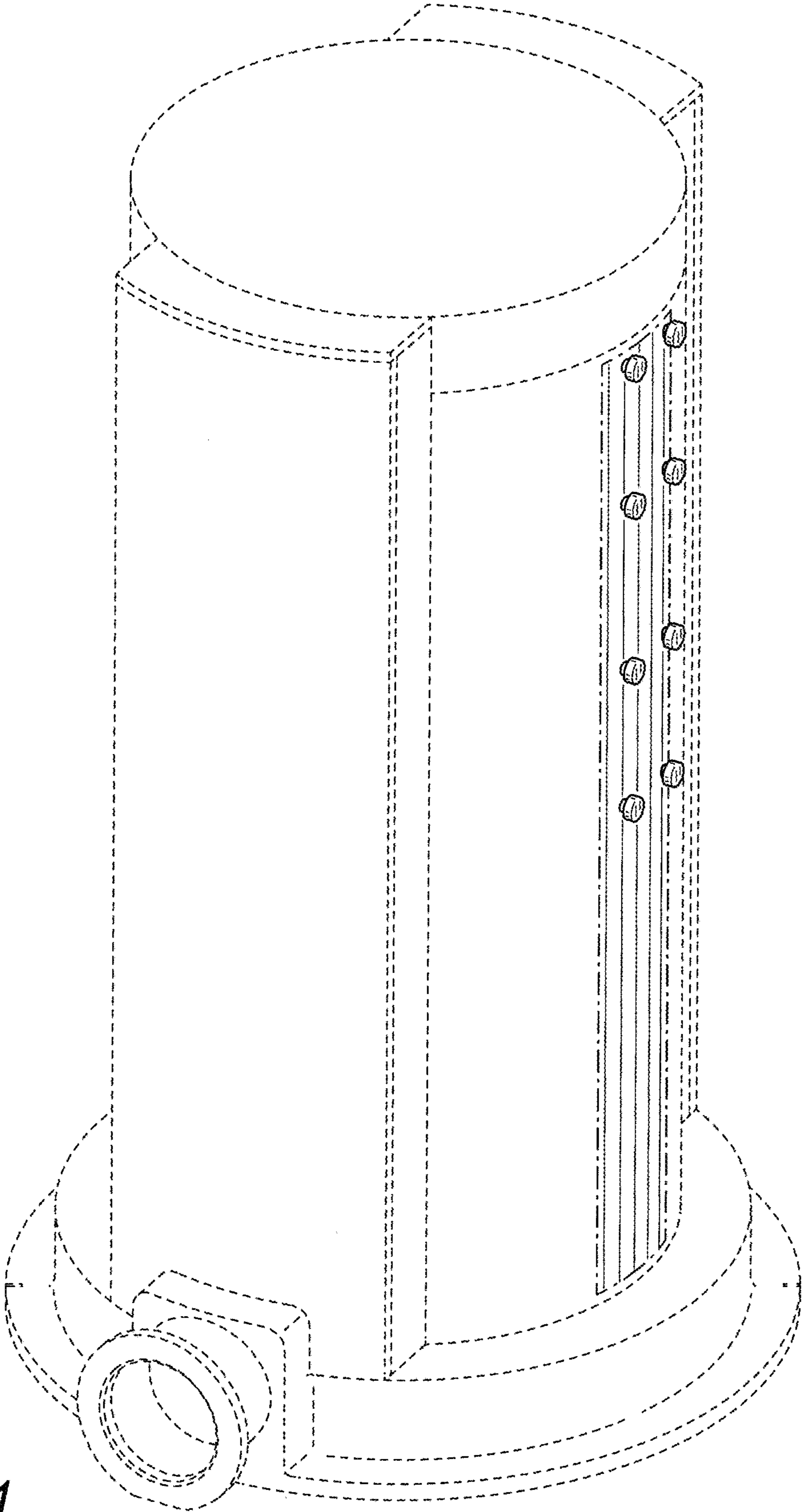


FIG. 1

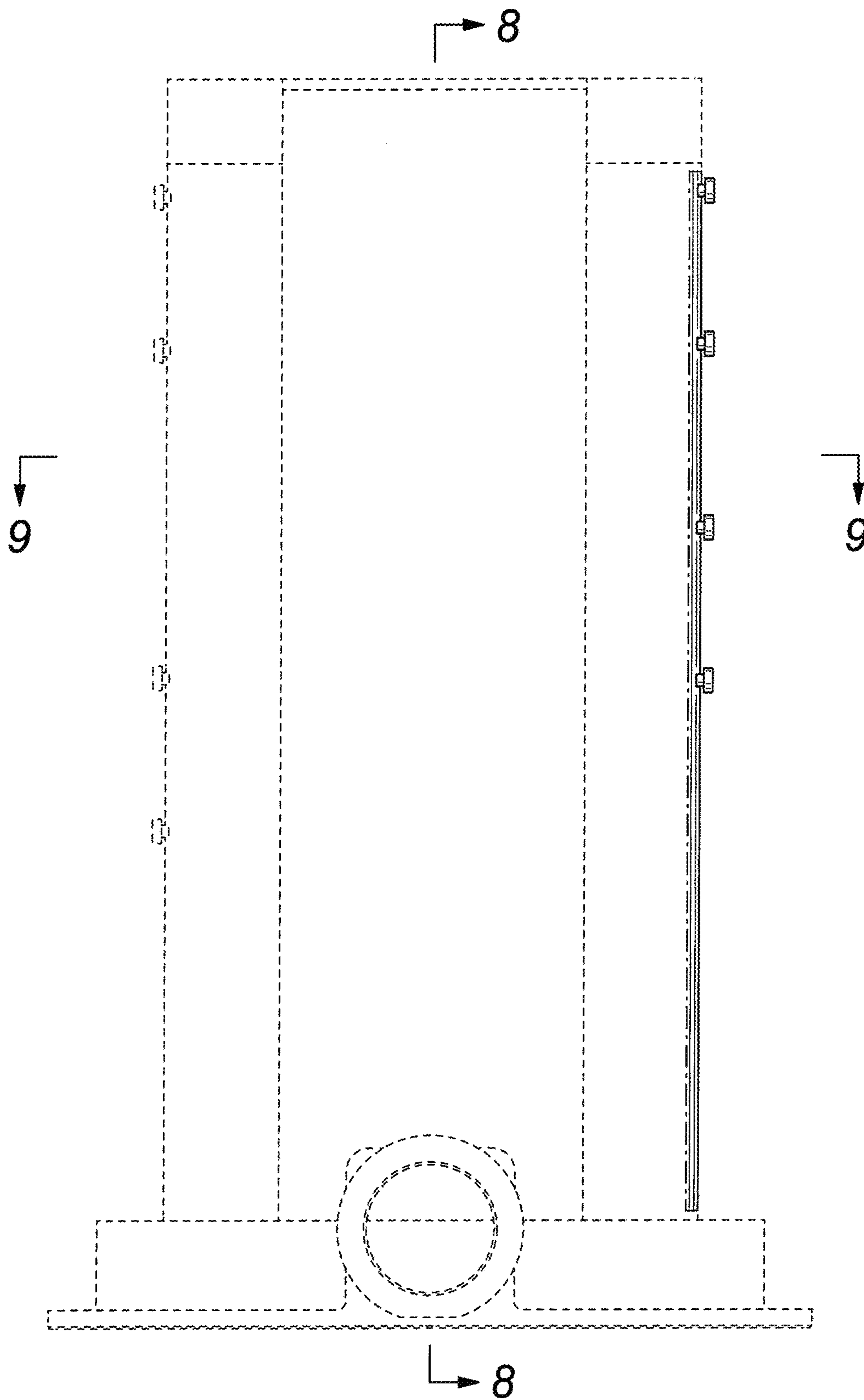


FIG. 2

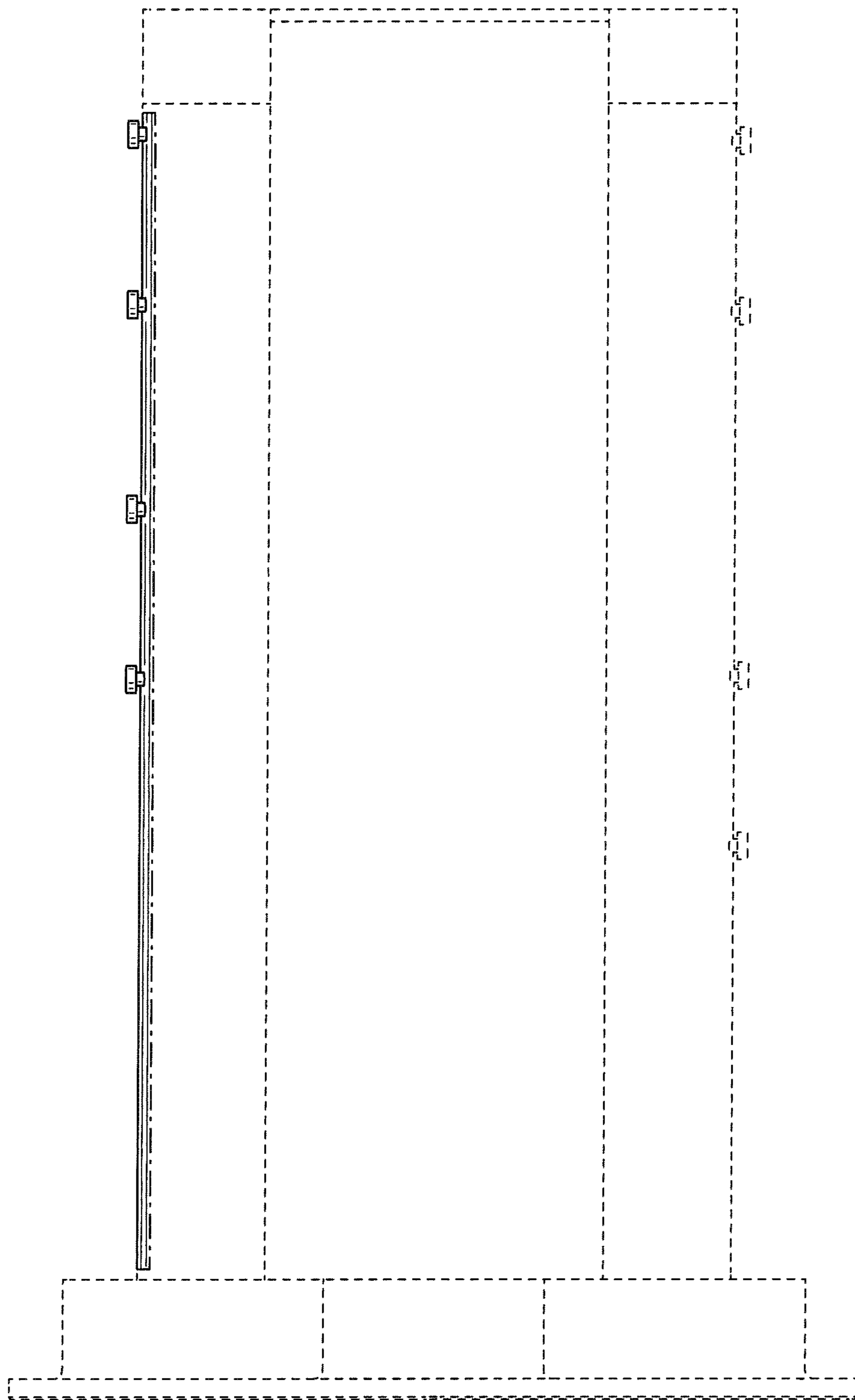
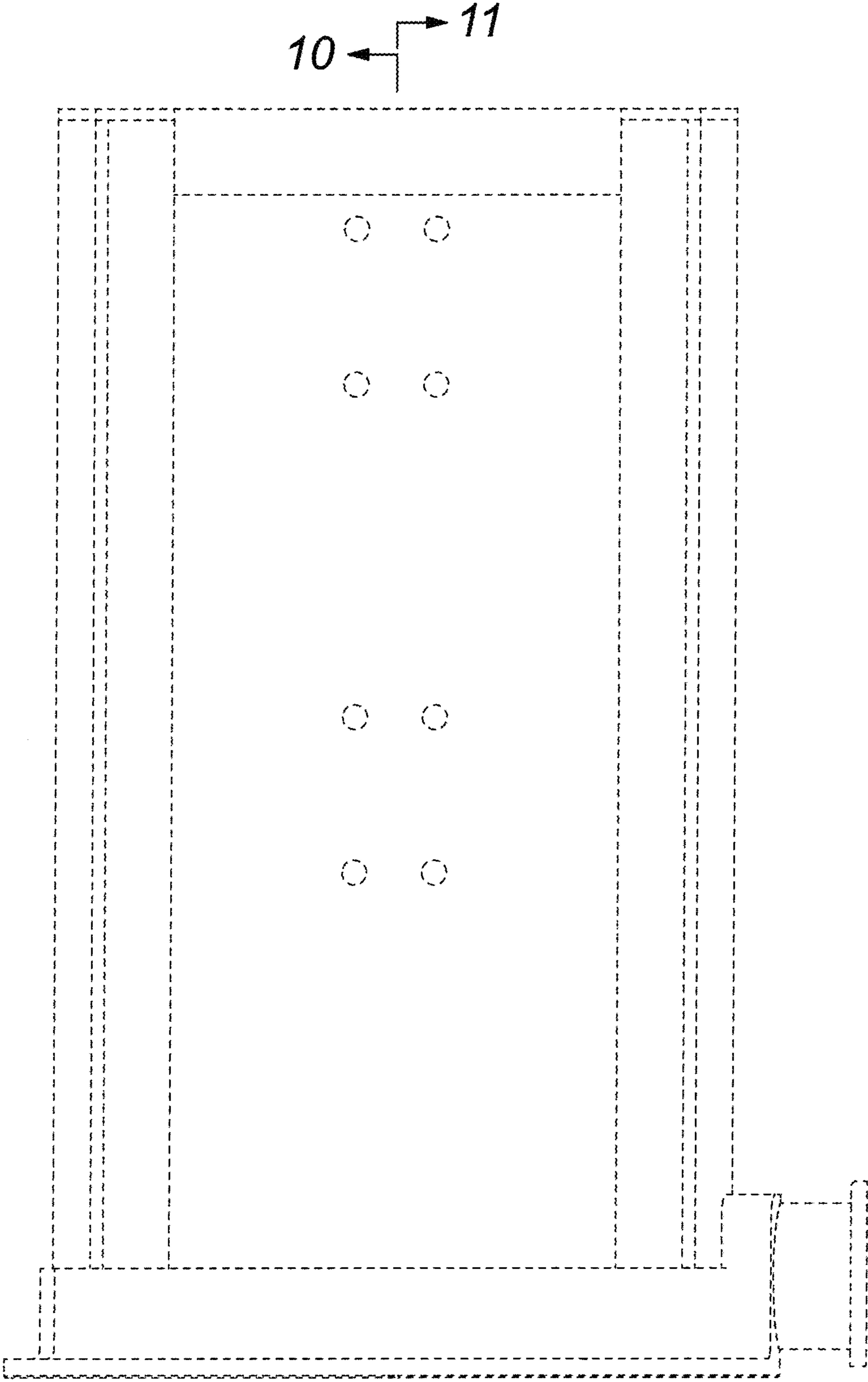


FIG. 3



10 ← | → 11

10 ← | → 11

FIG. 4

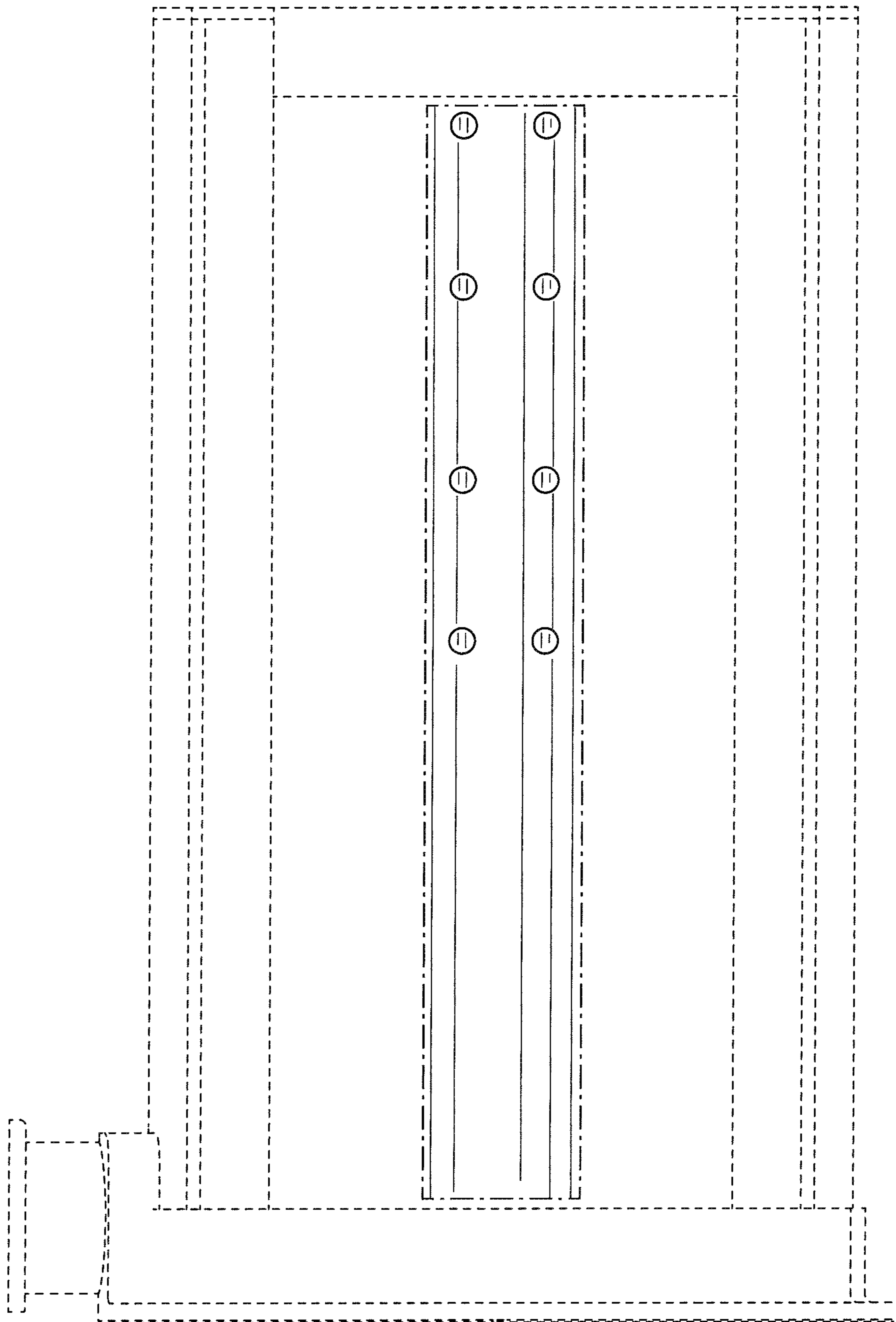


FIG. 5

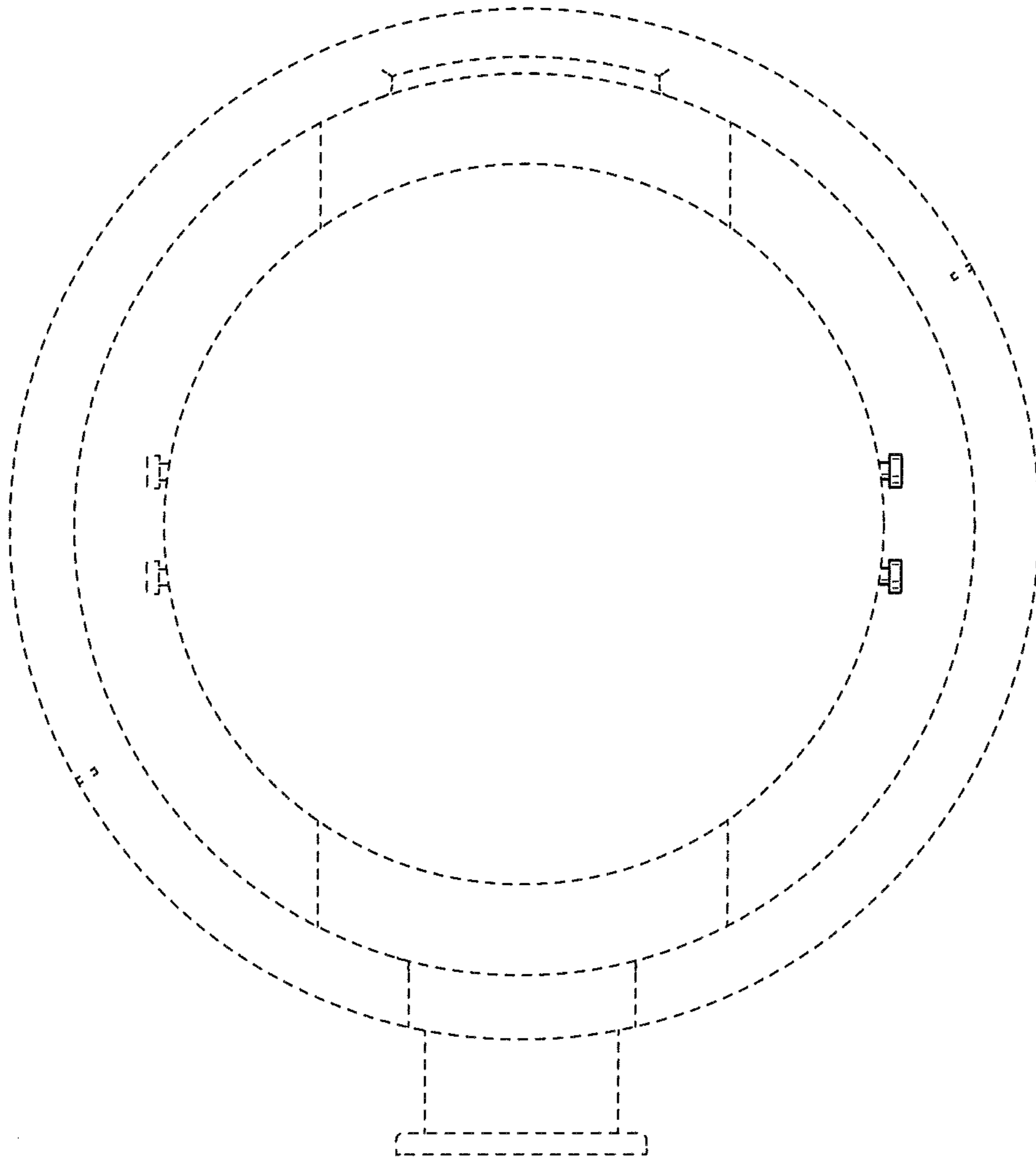


FIG. 6

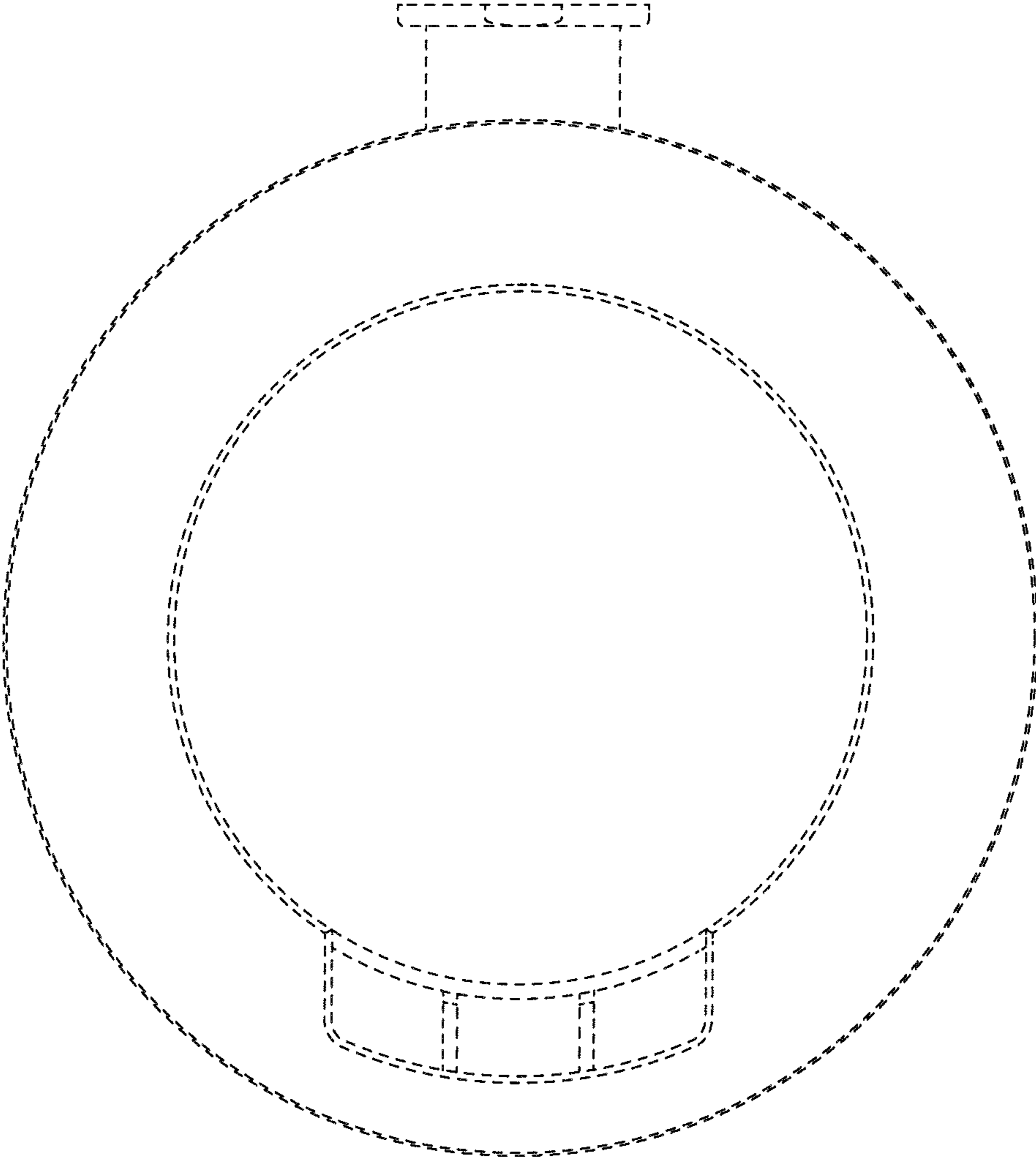


FIG. 7

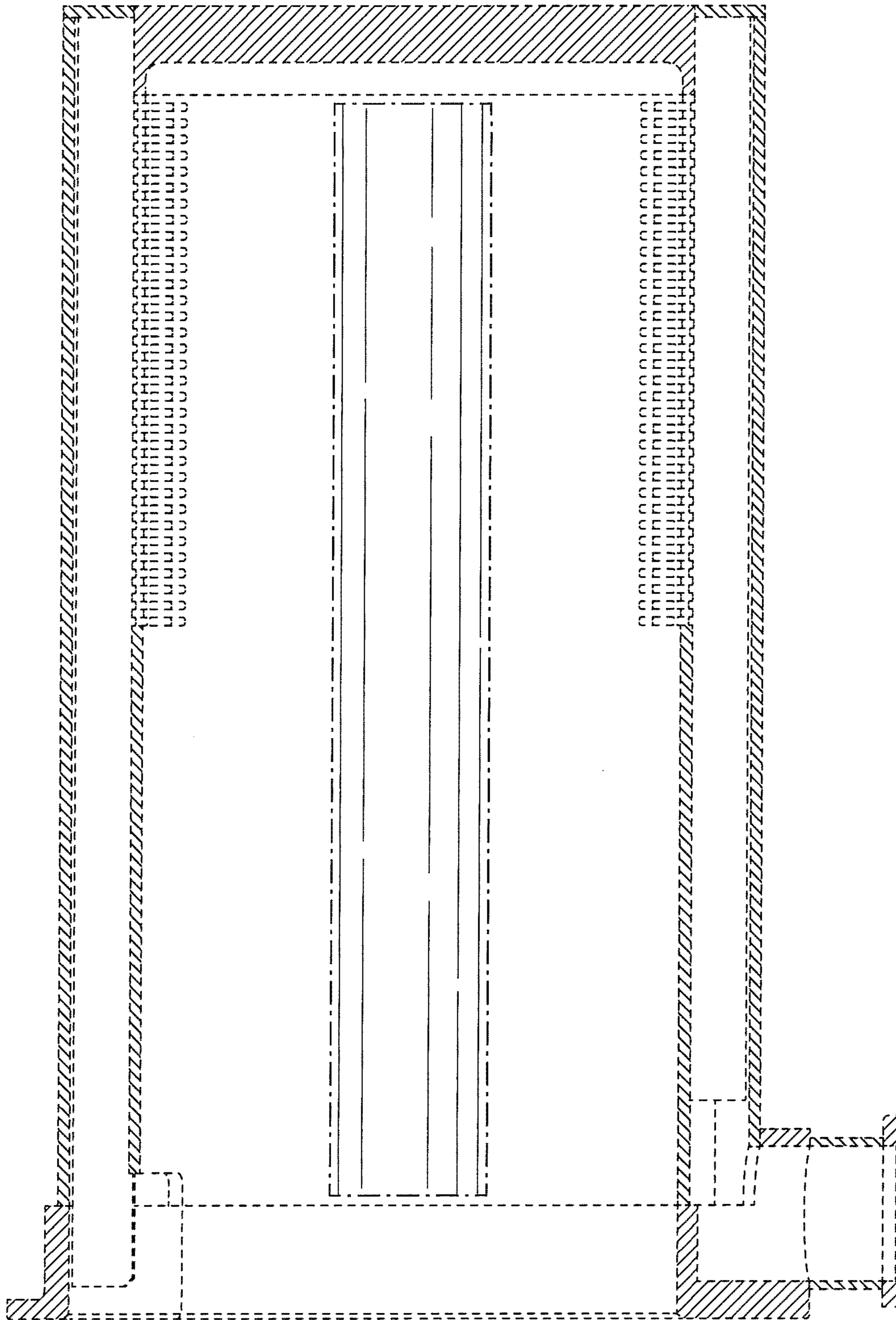


FIG. 8

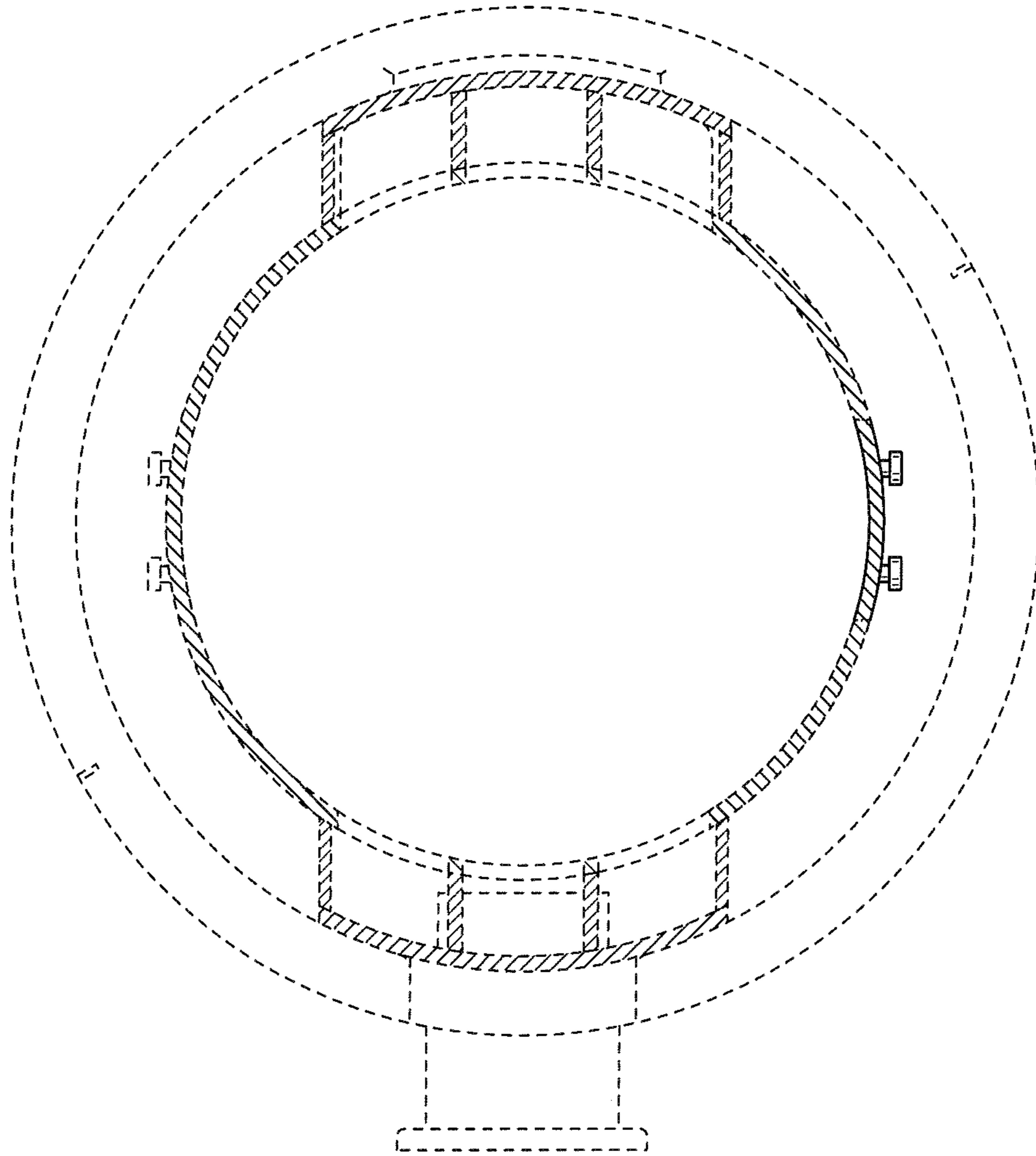


FIG. 9

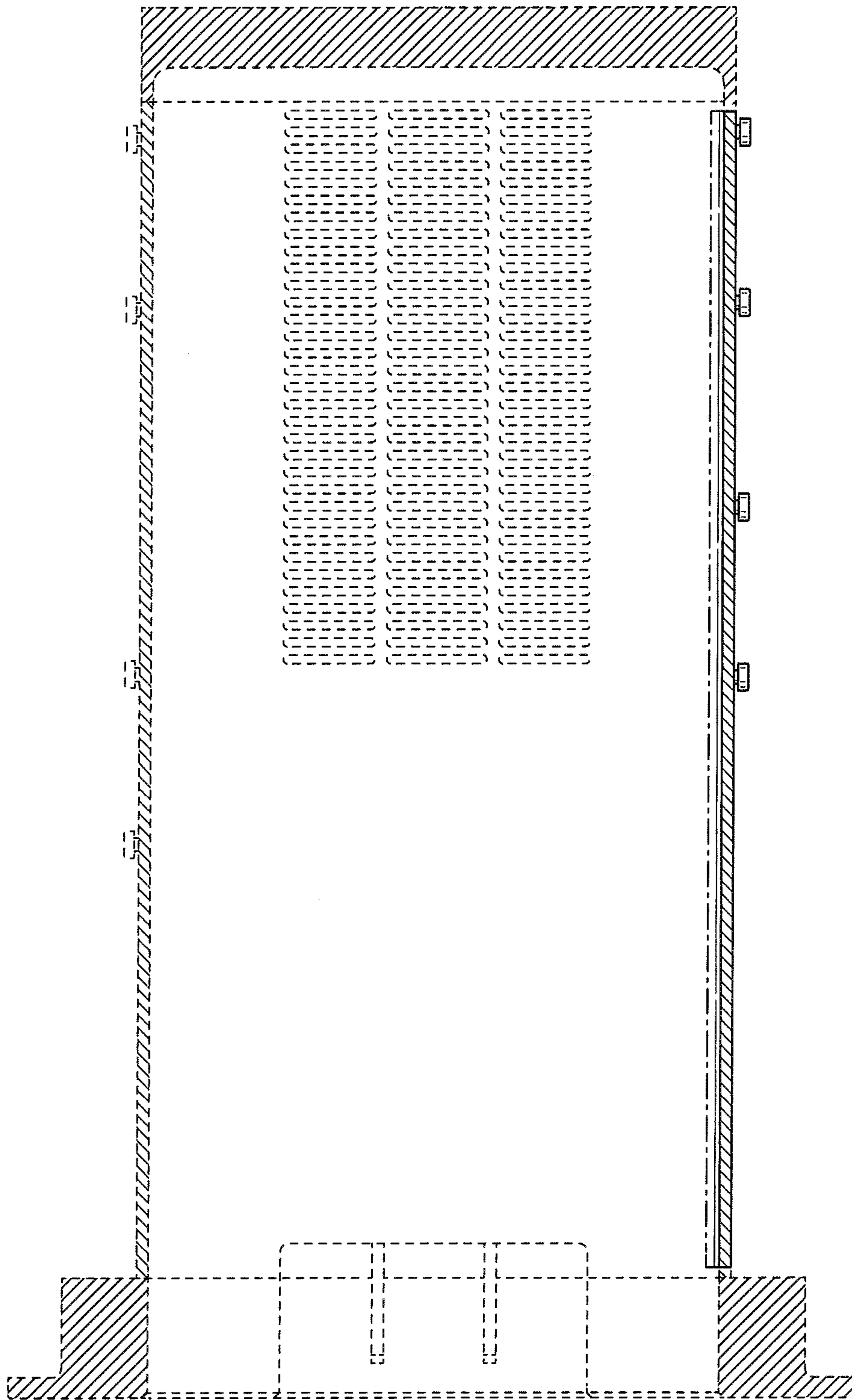


FIG. 10

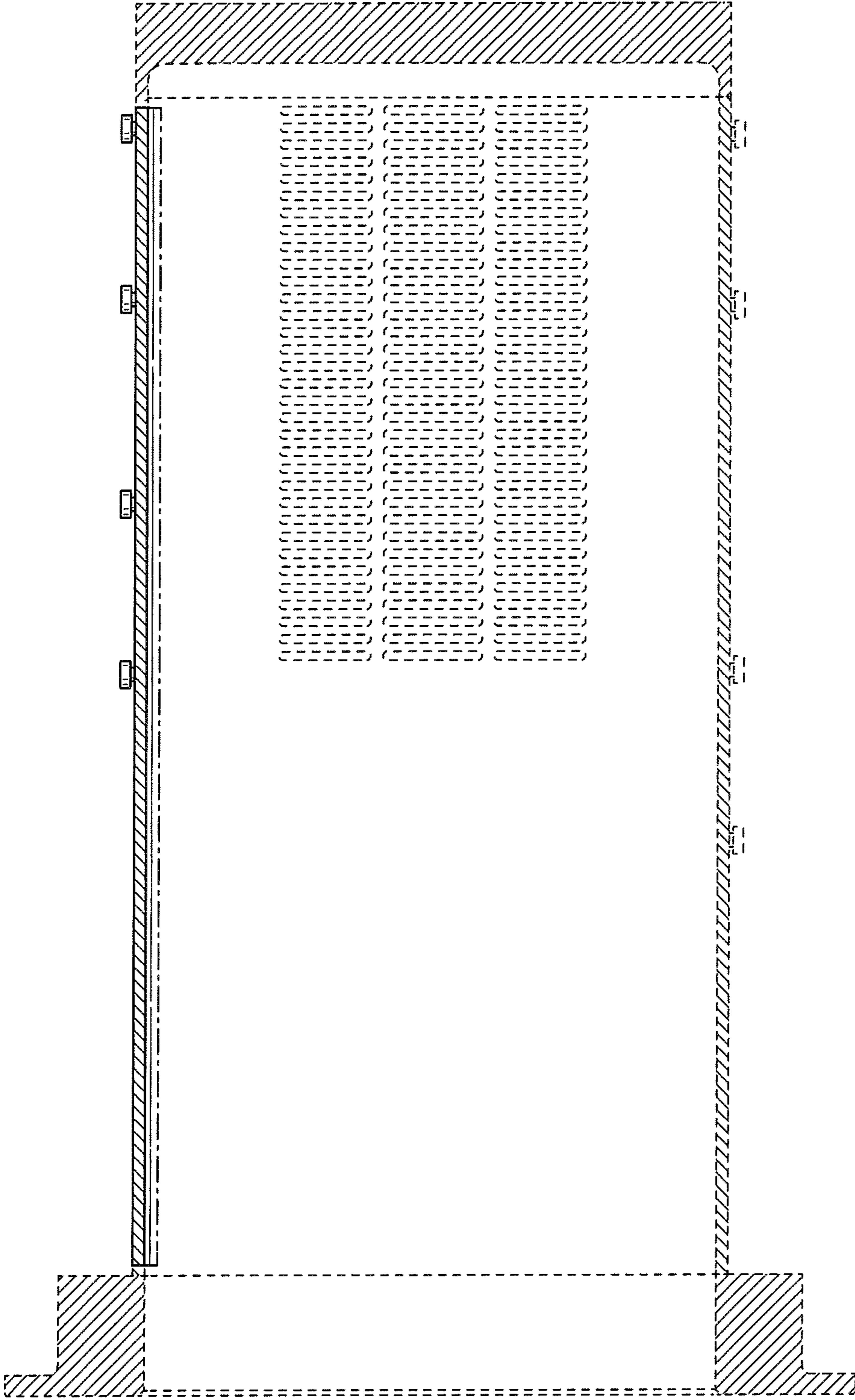


FIG. 11