



US00D786950S

(12) **United States Design Patent**  
**Armani et al.**

(10) **Patent No.:** **US D786,950 S**

(45) **Date of Patent:** **\*\* May 16, 2017**

(54) **GANTRY AND EXTRUDER ASSEMBLY**

(71) Applicants: **Michael Daniel Armani**, Dayto, MD (US); **David Souza Jones**, Beltsville, MD (US)

(72) Inventors: **Michael Daniel Armani**, Dayto, MD (US); **David Souza Jones**, Beltsville, MD (US)

(\*\*) Term: **14 Years**

(21) Appl. No.: **29/501,038**

(22) Filed: **Aug. 29, 2014**

(51) **LOC (10) Cl.** ..... **15-09**

(52) **U.S. Cl.**  
USPC ..... **D15/122**

(58) **Field of Classification Search**  
USPC ..... D15/122-138; D34/33; D21/325;  
273/447

CPC ..... B33Y 30/00; B29C 67/0085; A63F 9/30  
See application file for complete search history.

(56) **References Cited**

U.S. PATENT DOCUMENTS

D376,888 S *	12/1996	Mohrlang	.....	D34/33
6,598,881 B1 *	7/2003	Shoemaker, Jr.	.....	A63F 9/30 273/447
D479,724 S *	9/2003	Wang	.....	D15/127
D681,699 S *	5/2013	Lin	.....	D15/122

2003/0151202 A1 *	8/2003	Fisher	.....	A63F 9/30 273/447
2006/0255544 A1 *	11/2006	Halliburton	.....	A63F 9/00 273/447
2014/0363532 A1 *	12/2014	Wolfgram	.....	B29C 67/0085 425/113
2015/0147424 A1 *	5/2015	Bibas	.....	B33Y 30/00 425/150
2015/0147427 A1 *	5/2015	Lundwall	.....	B29C 67/0085 425/375
2015/0276119 A1 *	10/2015	Booker	.....	B33Y 30/00 248/561

\* cited by examiner

*Primary Examiner* — Susan Bennett Hattan

*Assistant Examiner* — Brett Miller

(74) *Attorney, Agent, or Firm* — Michael J. Foycik, Jr.

(57) **CLAIM**

The ornamental design for a gantry and extruder assembly, as shown.

**DESCRIPTION**

FIG. 1 is a perspective environmental view, showing our new design;

FIG. 2 is a front elevational view thereof;

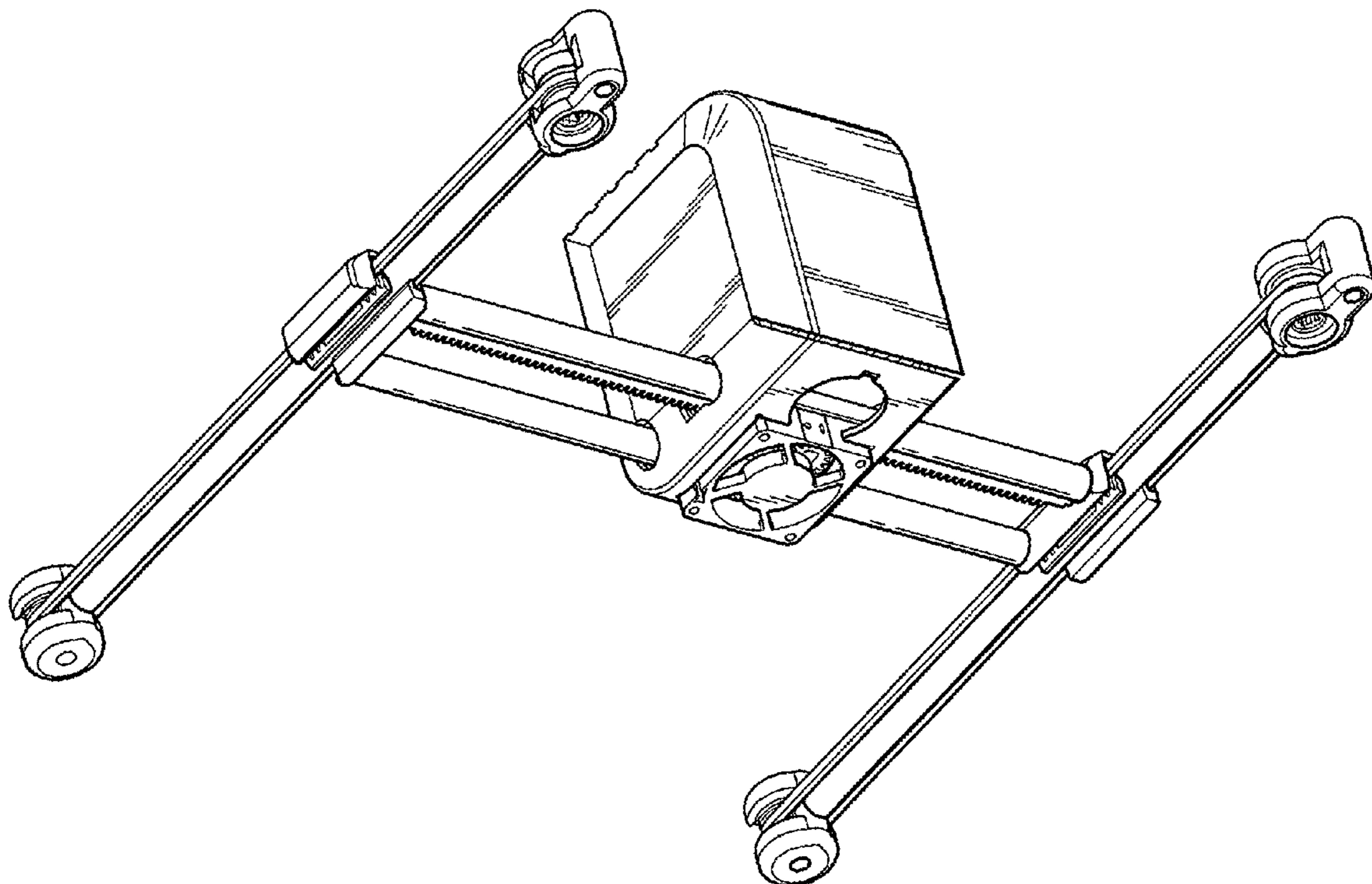
FIG. 3 is a rear elevational view thereof;

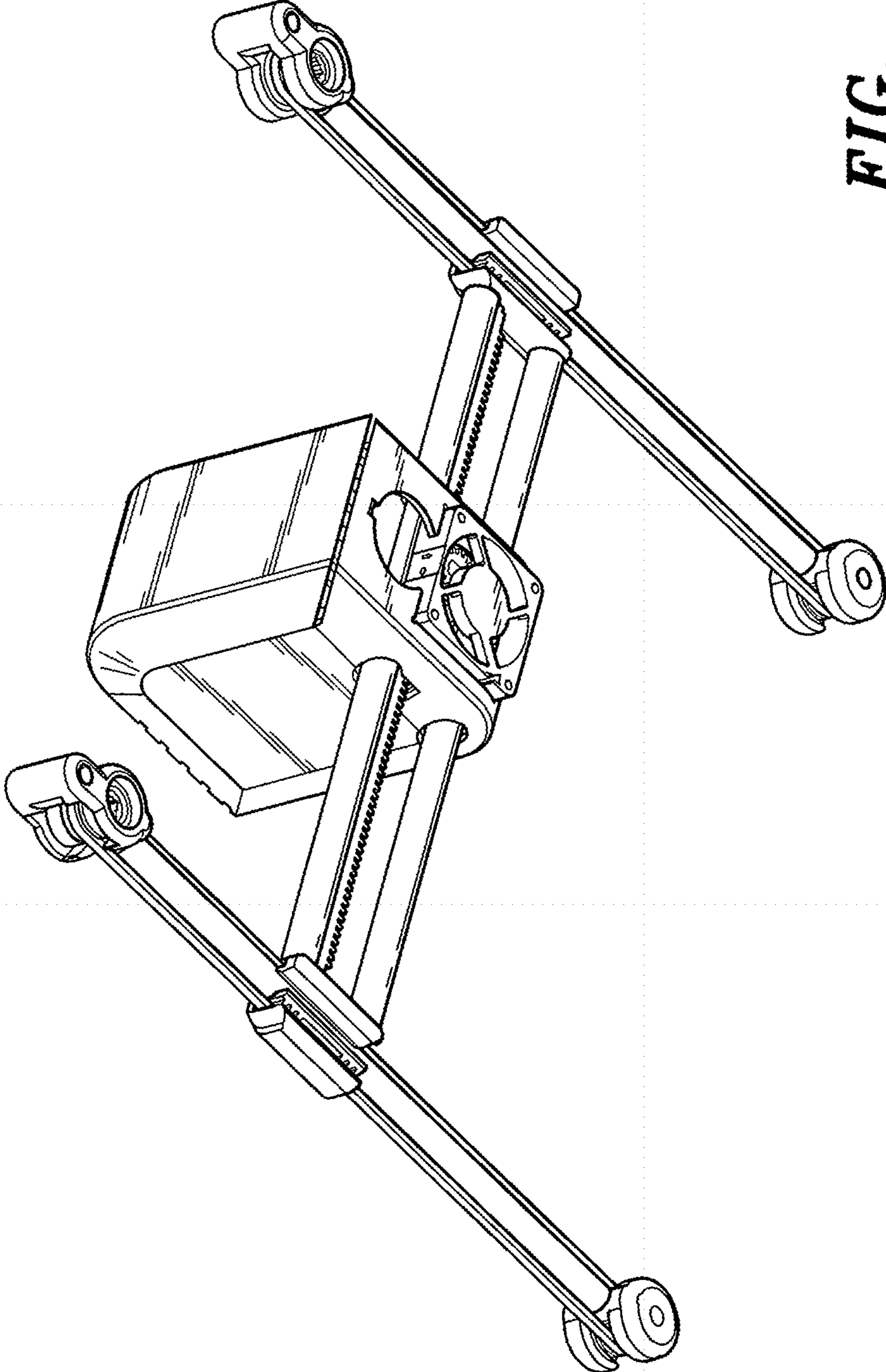
FIG. 4 is a left side elevational view thereof, the right side being a mirror image of the left side;

FIG. 5 is a top elevational view thereof; and,

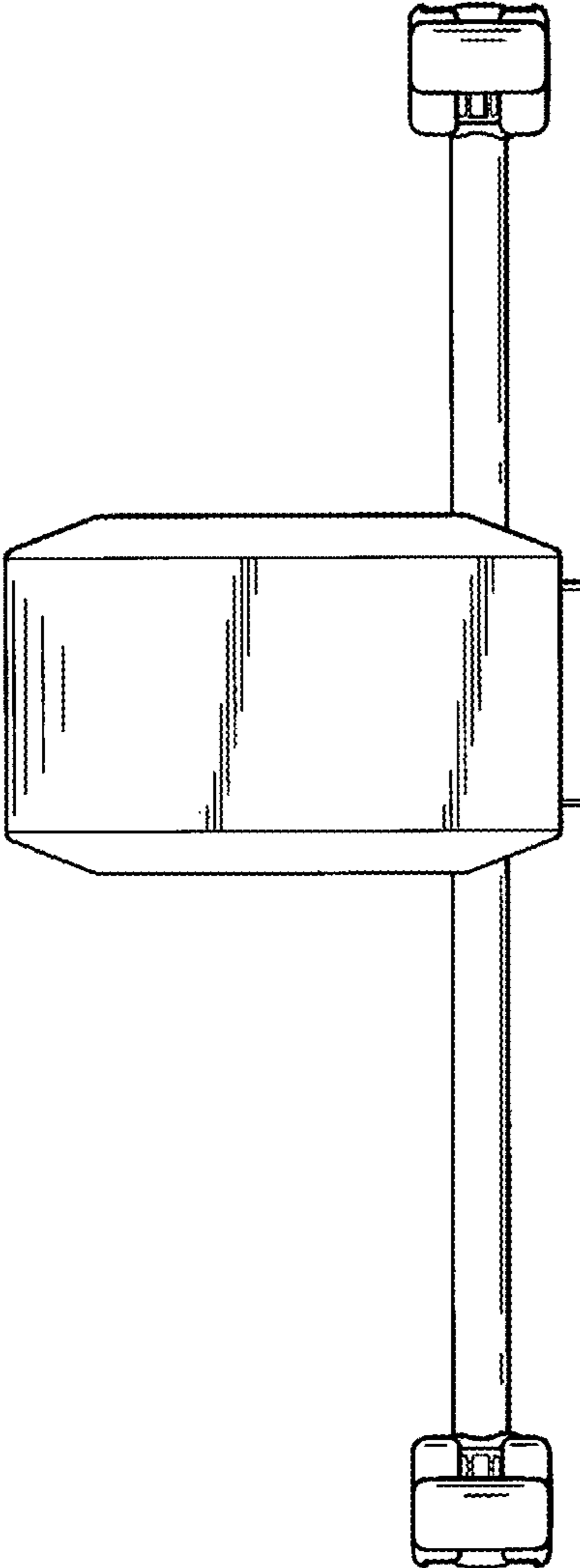
FIG. 6 is a bottom elevational view thereof.

**1 Claim, 6 Drawing Sheets**

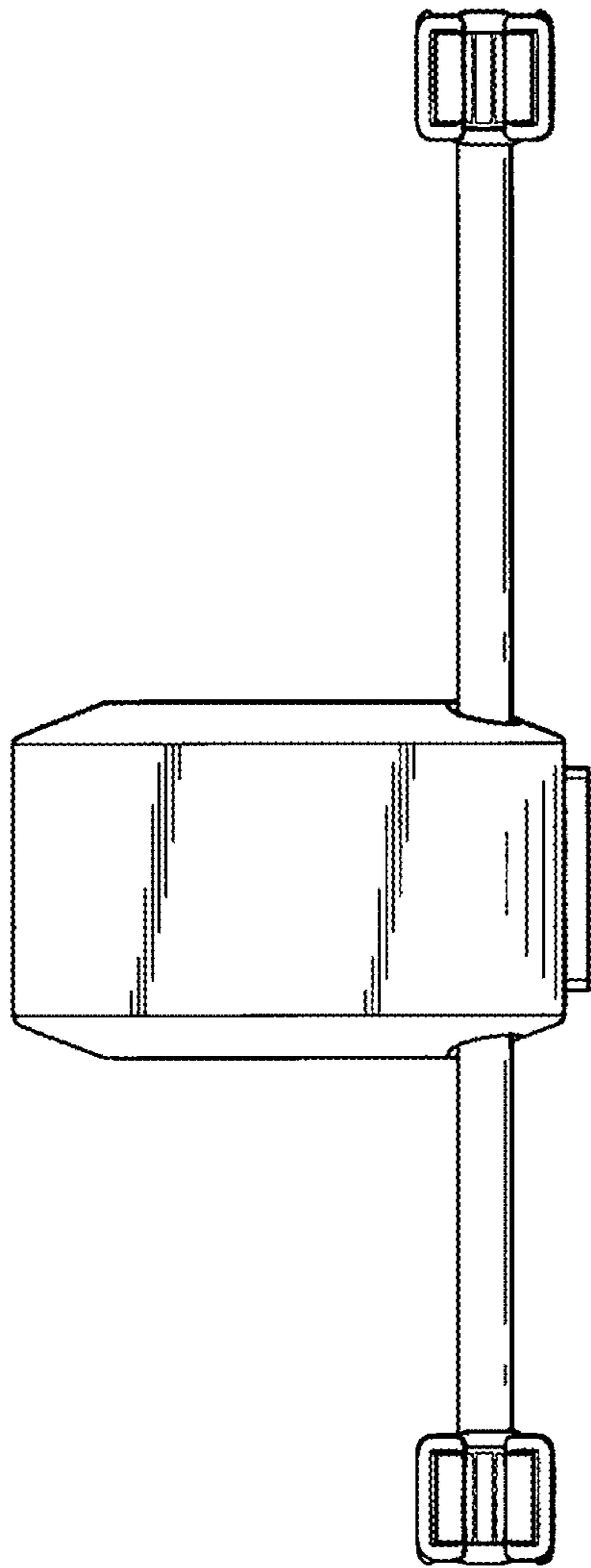




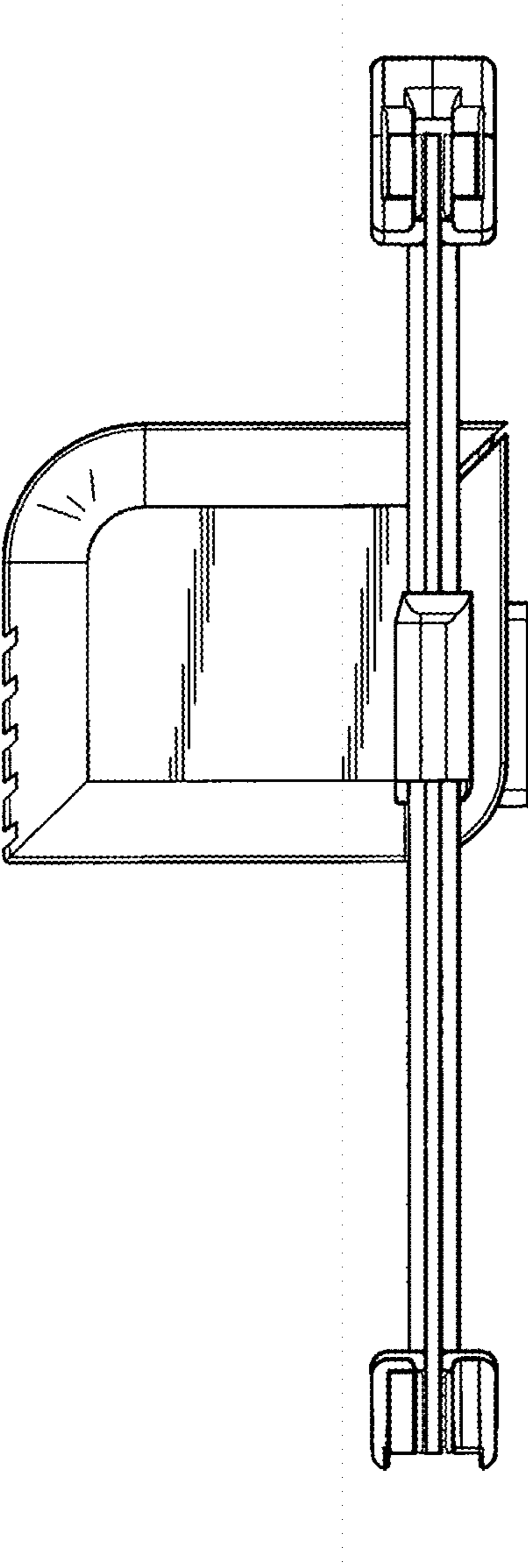
**FIG. 1**



*FIG. 2*

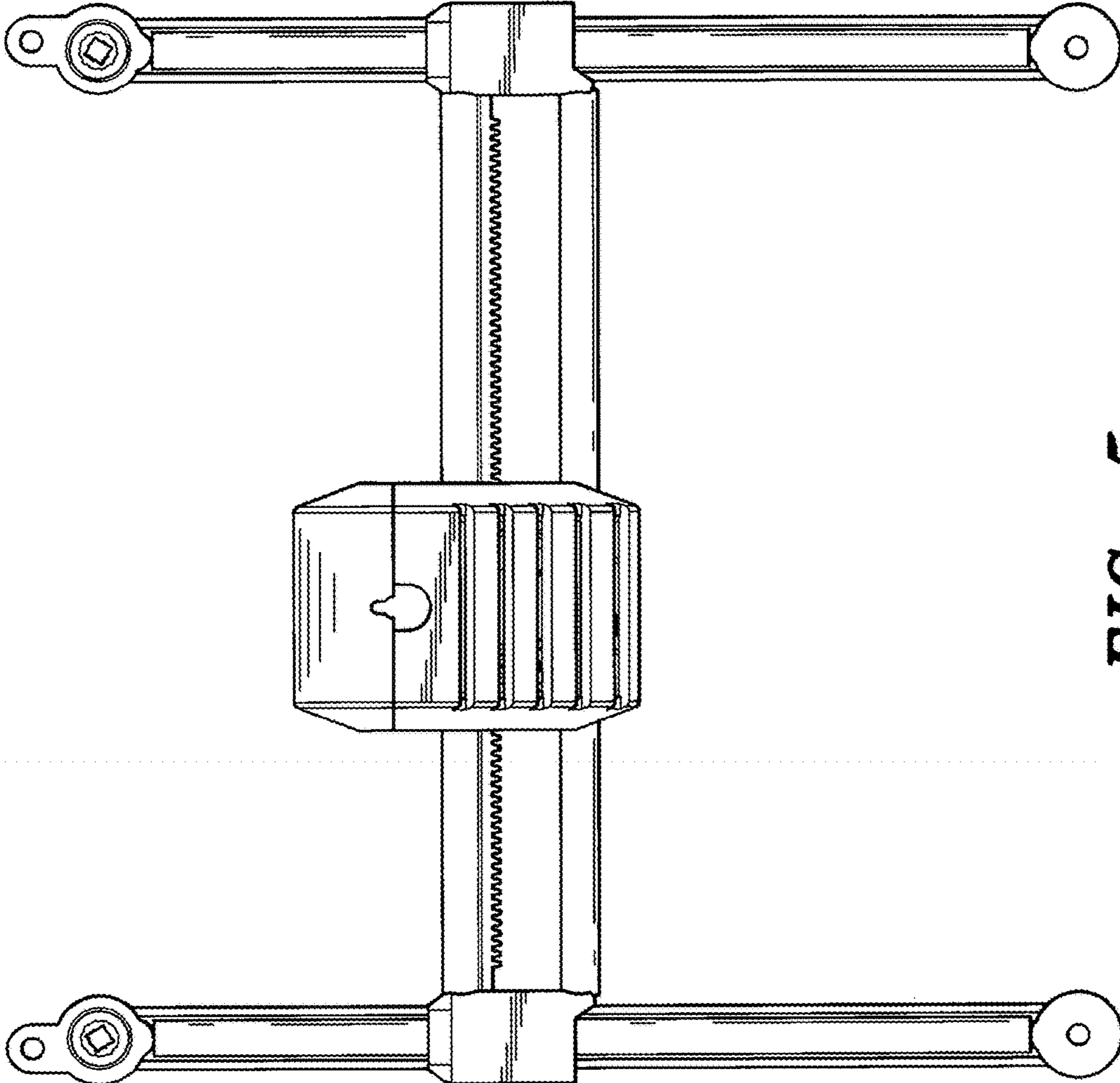


**FIG. 3**

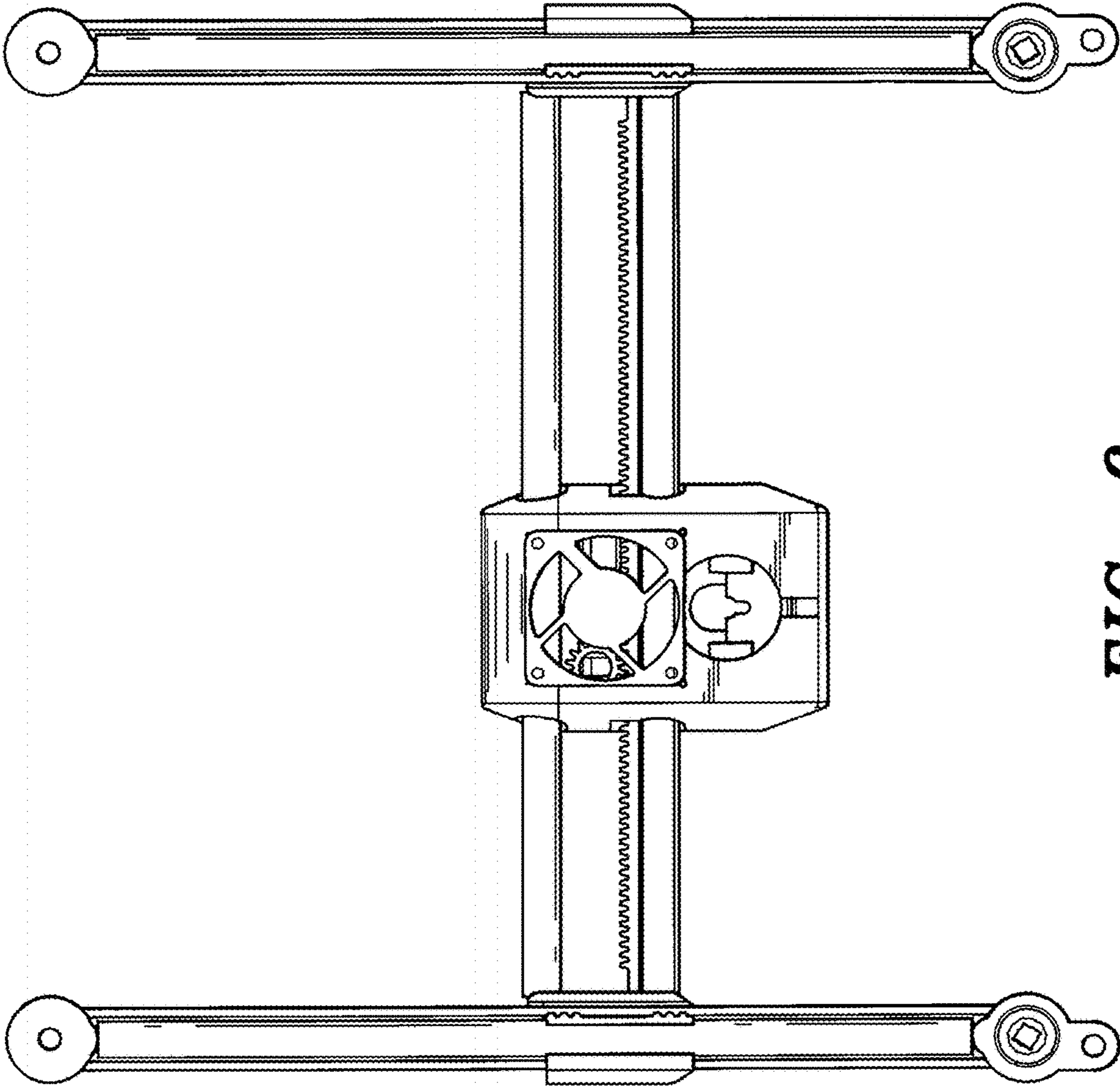


**FIG. 4**





*FIG. 5*



**FIG. 6**