



US00D786947S

(12) **United States Design Patent** (10) **Patent No.:** **US D786,947 S**
Kim et al. (45) **Date of Patent:** **** May 16, 2017**

(54) **REFRIGERATOR**

25/021; F25D 11/00; F25D 11/025; F25D 17/02;

(71) Applicant: **Samsung Electronics Co., Ltd.**,
Suwon-si (KR)

(Continued)

(72) Inventors: **Ki-Soo Kim**, Gunpo-Si (KR);
Da-Jeong Kim, Seoul (KR); **Yeon-Jin Jo**,
Suwon-si (KR)

(56) **References Cited**

U.S. PATENT DOCUMENTS

D674,823 S * 1/2013 Jidam D15/86
D676,467 S * 2/2013 Kim D15/86

(Continued)

(73) Assignee: **Samsung Electronics Co., Ltd.**,
Suwon-si (KR)

FOREIGN PATENT DOCUMENTS

CN 200830348877.5 12/2009
CN 201130086553.0 11/2011

(Continued)

(**) Term: **15 Years**

(21) Appl. No.: **29/560,585**

OTHER PUBLICATIONS

(22) Filed: **Apr. 8, 2016**

World Wide Voltage. "Haier HNDE03VS 3.3 Cu. Ft. 2 Door Refrigerator Freezer Factory Refurbished (for USA)" [2015] www.worldwidevoltage.com Oct. 7, 2015 <http://www.worldwidevoltage.com haier-hnde03vs-3-3-cu--ft--2-door-refrigerator.html.

(30) **Foreign Application Priority Data**

Nov. 5, 2015 (KR) 30-2015-0055873

Primary Examiner — Ian Simmons

(51) **LOC (10) Cl.** **15-07**

Assistant Examiner — Khawaja Anwar

(52) **U.S. Cl.**

(74) *Attorney, Agent, or Firm* — NSIP Law

USPC **D15/86**

(57) **CLAIM**

(58) **Field of Classification Search**

We claim the ornamental design for a refrigerator, as shown and described.

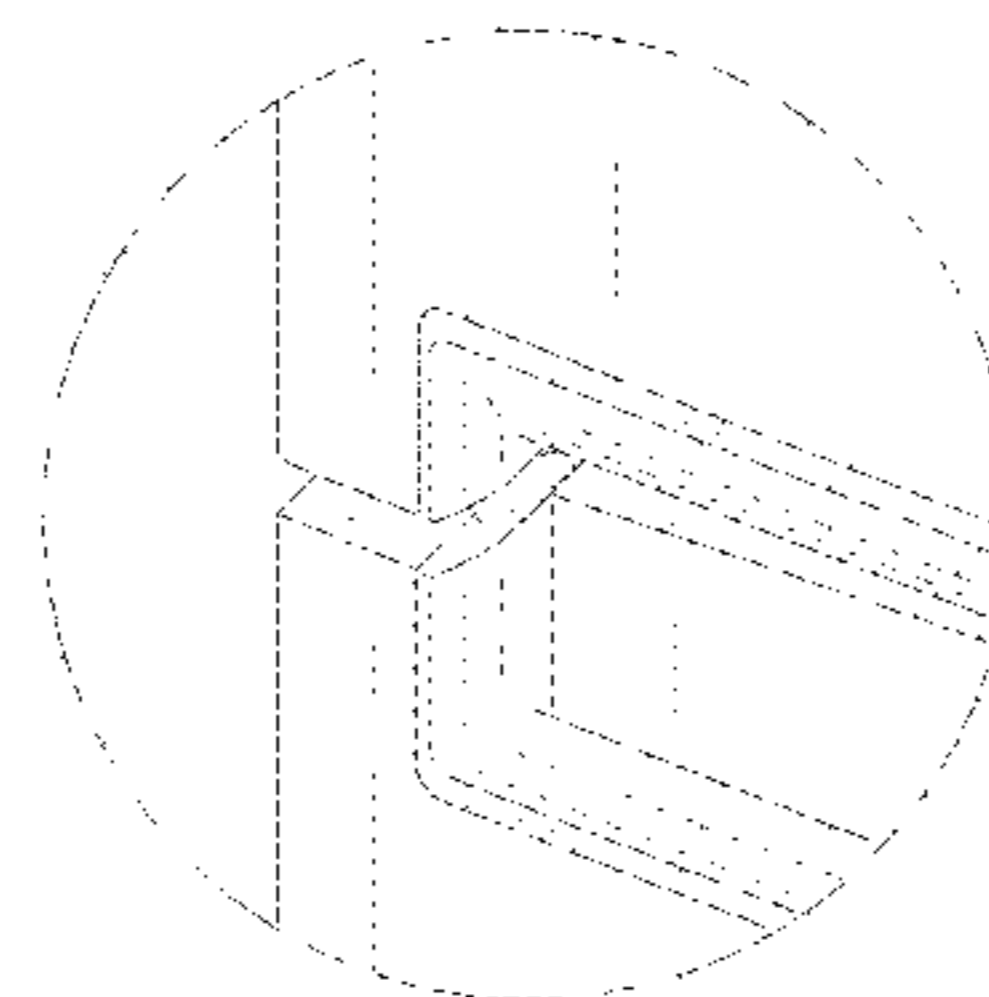
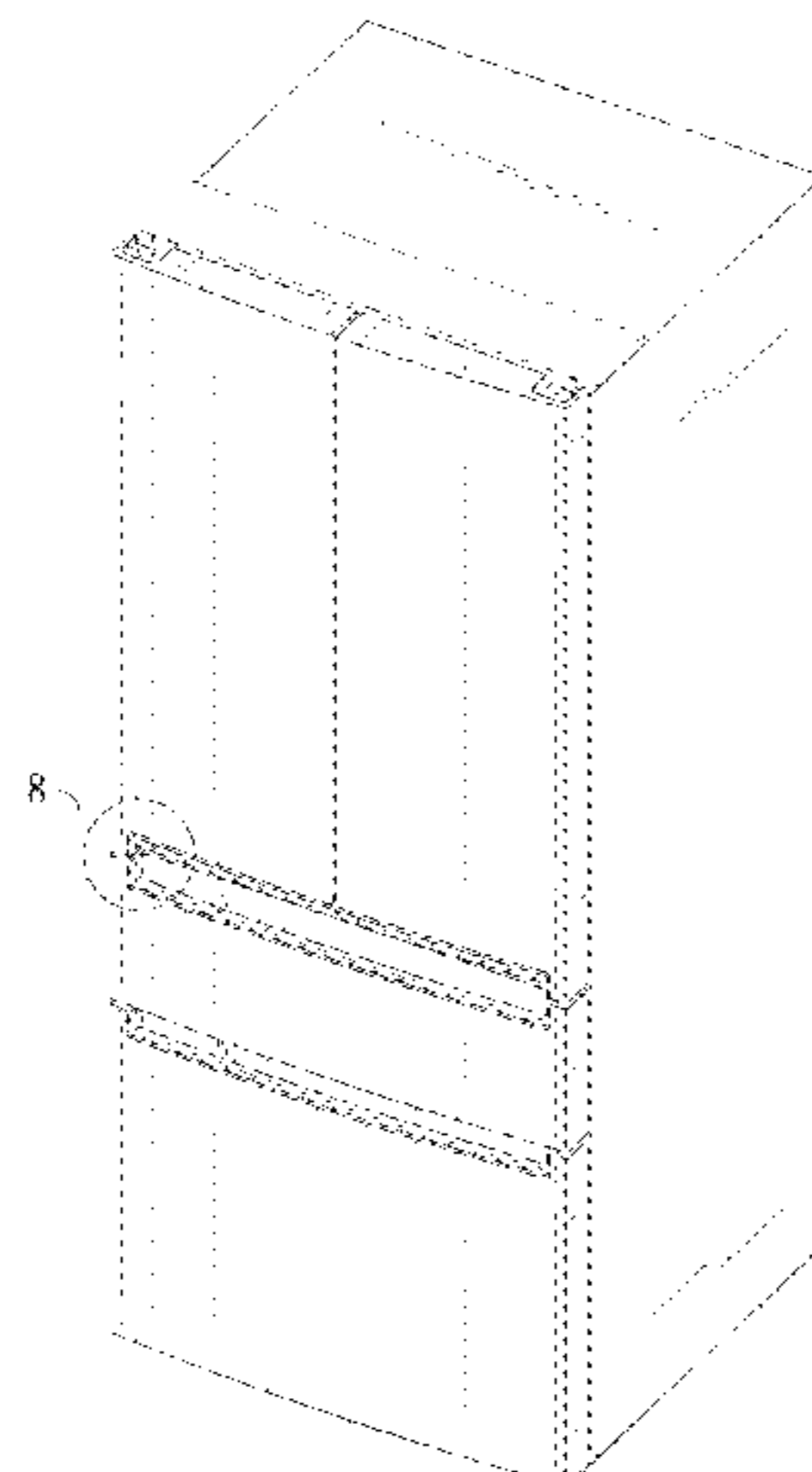
USPC D15/79-91

DESCRIPTION

CPC F25D 23/028; F25D 23/00; F25D 23/04;
F25D 23/126; F25D 11/02; F25D 23/02;
F25D 25/025; F25D 27/00; F25D 23/025;
F25D 2400/361; F25D 29/00; F25D
2317/061; F25D 2323/021; F25D 23/065;
F25D 29/005; F25D 2201/14; F25D
2400/02; F25D 2700/02; F25D 2323/024;
F25D 2323/121; F25D 23/061; F25D
23/067; F25D 23/08; F25D 2400/18;
F25D 2500/02; F25D 2500/06; F25D

FIG. 1 is a front perspective view of a refrigerator showing our new design;
FIG. 2 is a front view thereof;
FIG. 3 is a rear view thereof;
FIG. 4 is a left-side view thereof;
FIG. 5 is a right-side view thereof;
FIG. 6 is a top view thereof;
FIG. 7 is a bottom view thereof; and,
FIG. 8 is an enlarged view of the encircled portion in FIG. 1.

(Continued)



The broken lines in the figures depict environmental subject matter and form no part of the claimed design. The dot-dash broken line encircling portions of the claimed design that are illustrated in enlargements form no part of the claimed design.

1 Claim, 7 Drawing Sheets

(58) **Field of Classification Search**

CPC .. F25D 17/045; F25D 21/14; F25D 2317/043;
F25D 2317/063; F25D 2321/1442; F25D
2321/146; F25D 2325/021; F25D
2327/001; F25D 2331/803; F25D
2331/806; F25D 2331/809; F25D
2400/04; F25D 2400/06; F25D 2400/28;
F25D 2400/36; F25D 25/00; F25D
25/022

See application file for complete search history.

(56)

References Cited

U.S. PATENT DOCUMENTS

D686,644 S * 7/2013 Lee D15/86
D729,284 S * 5/2015 Kwak D15/85
D729,286 S * 5/2015 Kwak D15/85
D742,432 S * 11/2015 Jeon D15/86
D742,433 S * 11/2015 Jeon D15/86
D742,434 S * 11/2015 Yeo D15/86
D742,438 S * 11/2015 Jeon D15/91
D771,724 S * 11/2016 Jeon D15/86
D773,538 S * 12/2016 Jeon D15/86

FOREIGN PATENT DOCUMENTS

CN 201230072714.5 8/2012
CN 201230527850.9 5/2013

* cited by examiner

FIG. 1

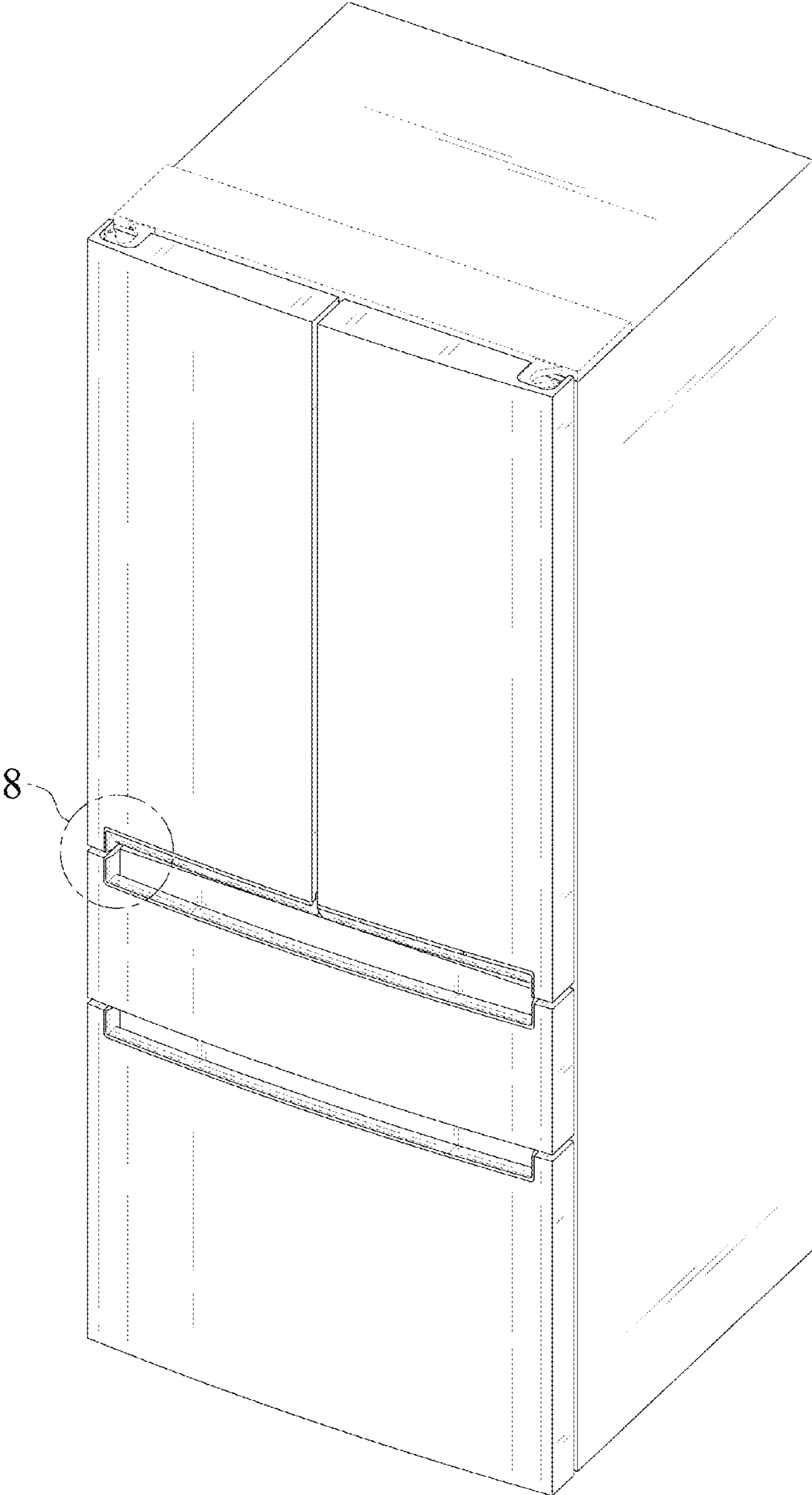


FIG. 2

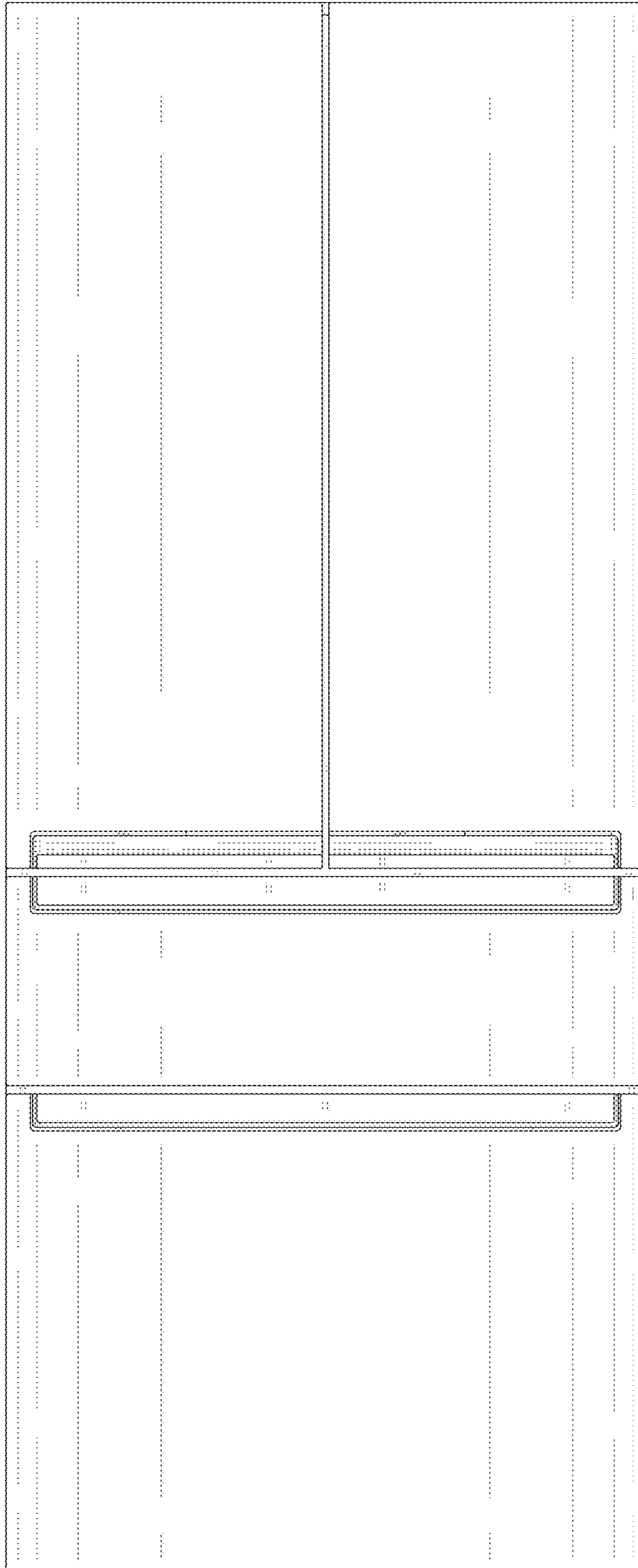


FIG. 3

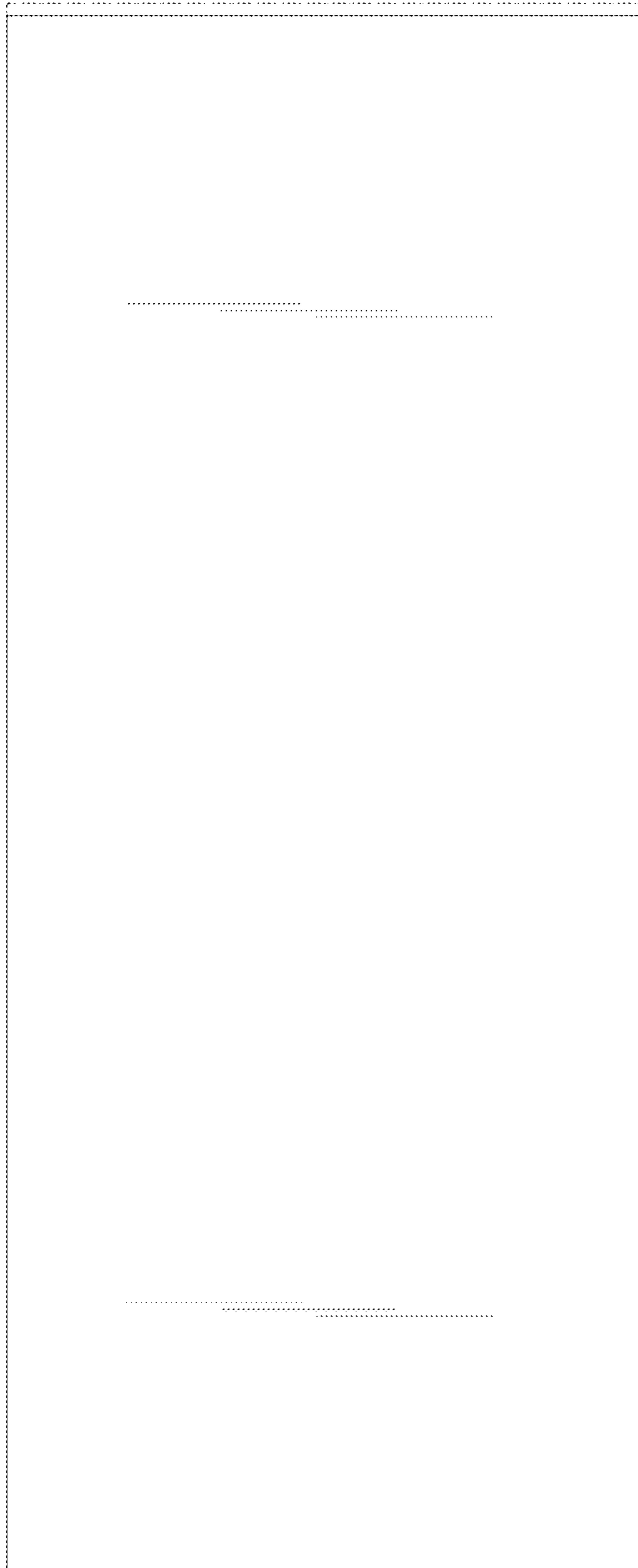


FIG. 4

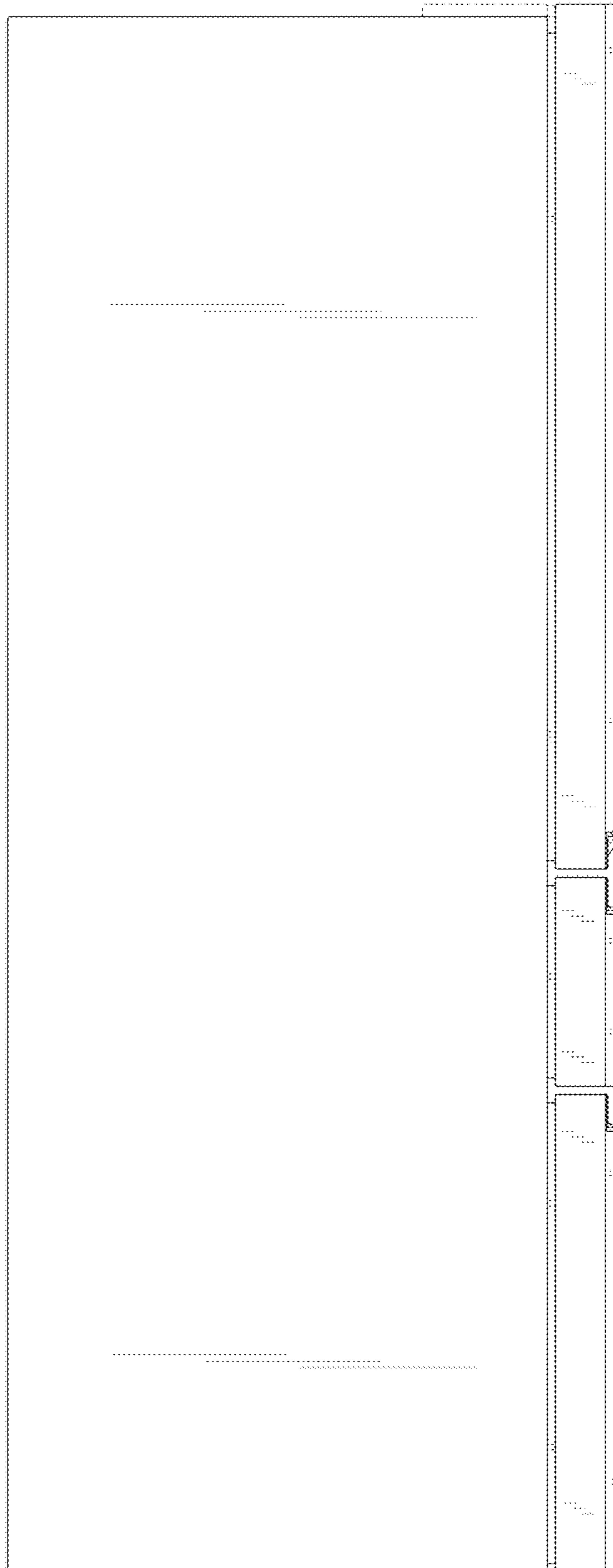


FIG. 5

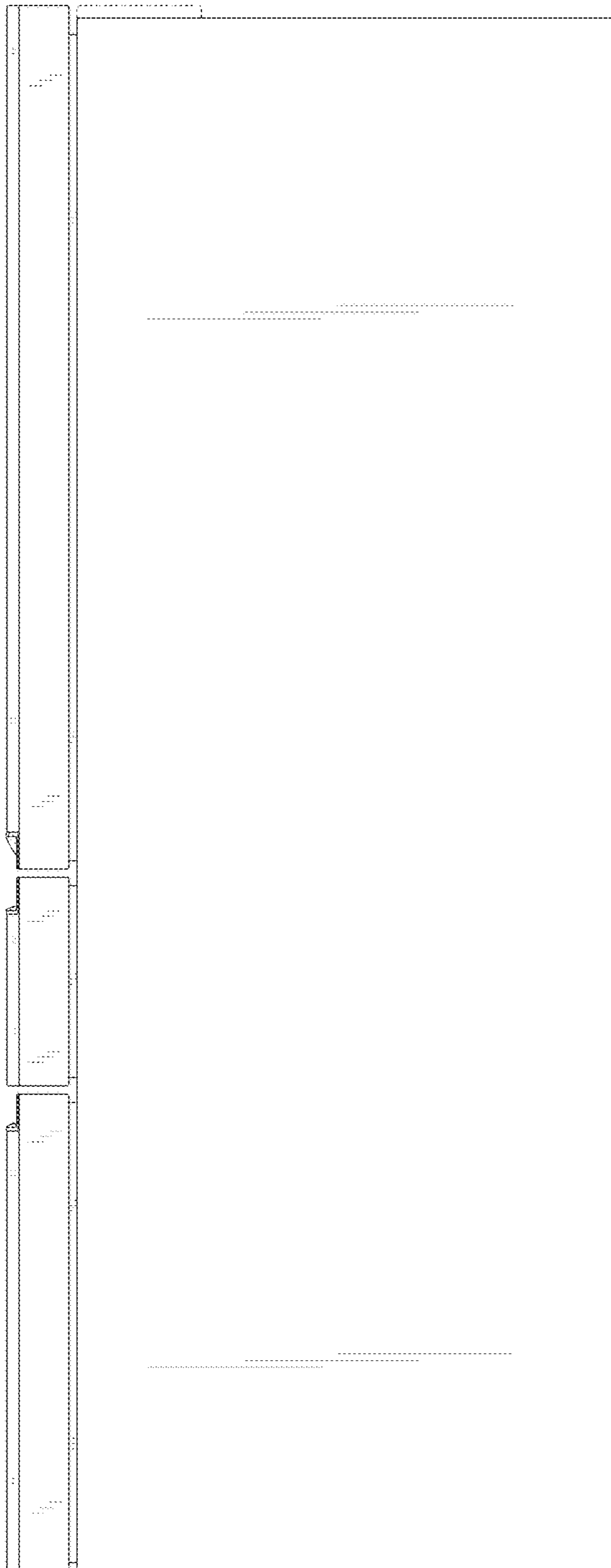


FIG. 6

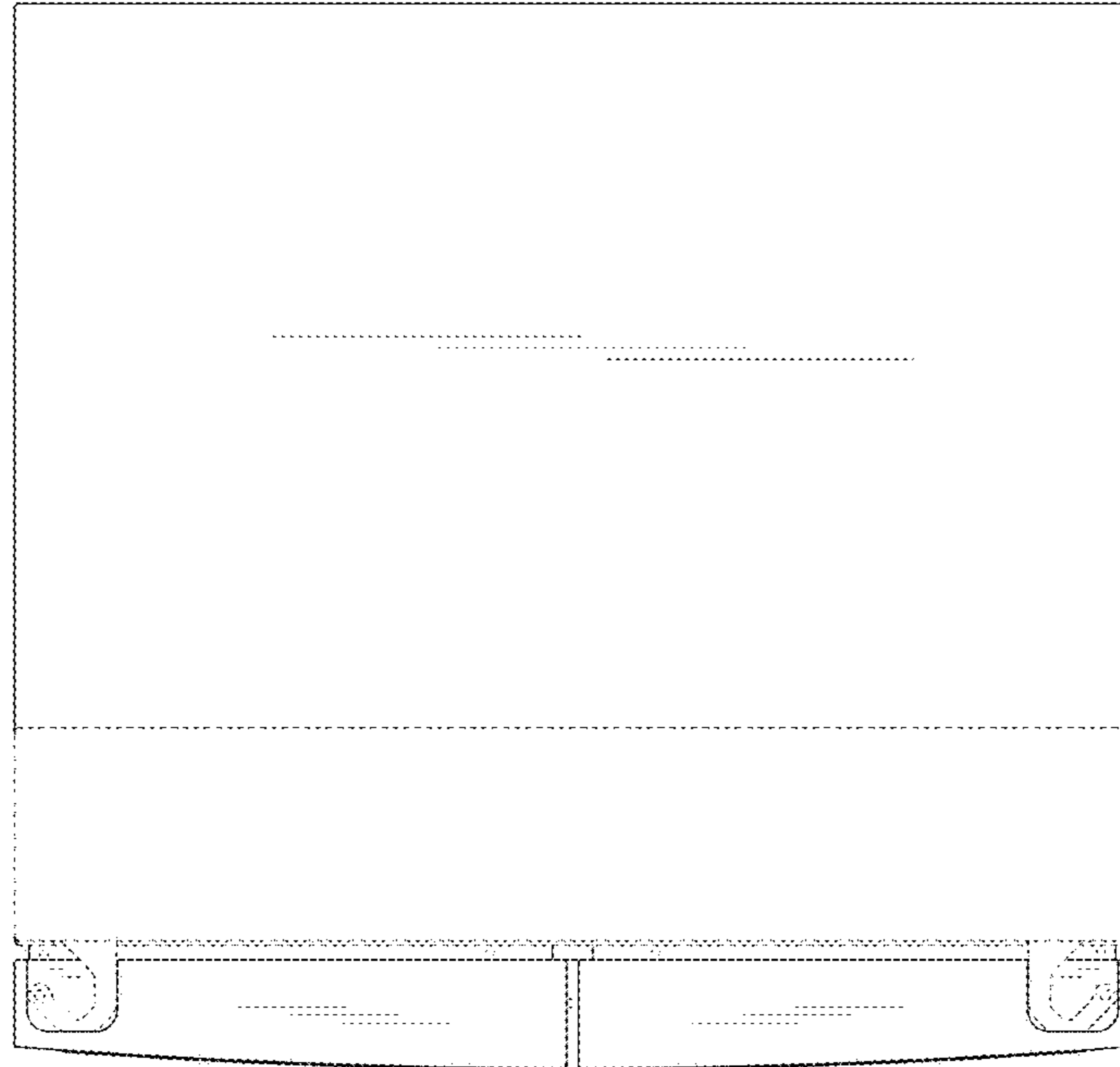


FIG. 7

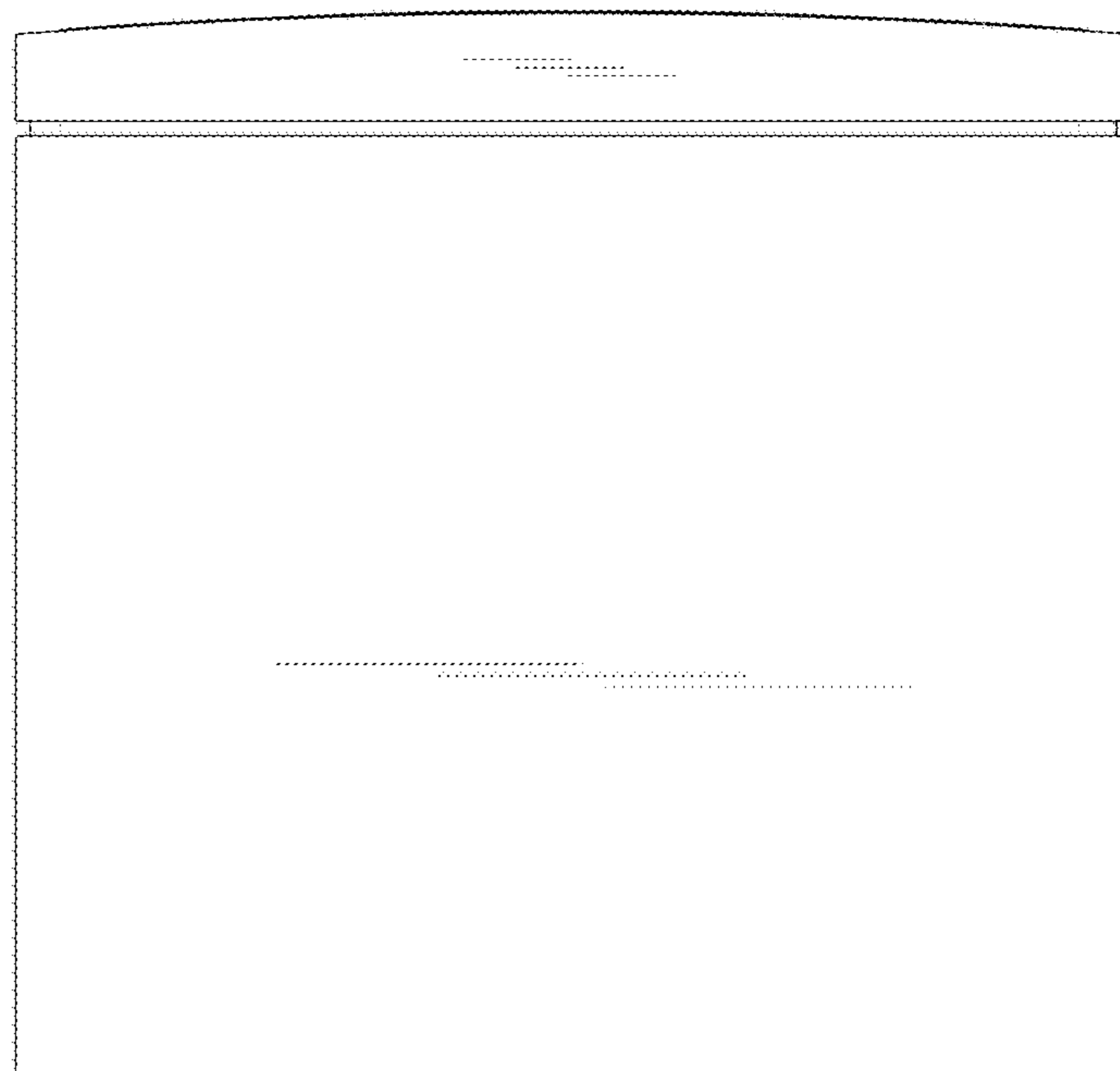


FIG. 8

