



US00D786943S

(12) **United States Design Patent** (10) **Patent No.:** **US D786,943 S**  
**Gardner** (45) **Date of Patent:** **\*\* May 16, 2017**

(54) **DUAL HAY SPEAR**

(71) Applicant: **James Gardner**, Wagoner, OK (US)

(72) Inventor: **James Gardner**, Wagoner, OK (US)

(\*\*) Term: **15 Years**

(21) Appl. No.: **29/563,185**

(22) Filed: **May 3, 2016**

(51) **LOC (10) Cl.** ..... **15-03**

(52) **U.S. Cl.**  
USPC ..... **D15/27; D15/28**

(58) **Field of Classification Search**  
USPC .... D15/10, 28, 32; 414/24.5, 703, 722, 911,  
414/920, 724, 912, 721, 685; 294/61  
CPC .... A01D 87/122; A01D 87/12; A01D 87/127;  
A01D 87/00; A01D 90/00; B66F 9/12;  
B66F 9/065; B66C 1/00; Y10S 414/133;  
B60P 1/44

See application file for complete search history.

(56) **References Cited**

**U.S. PATENT DOCUMENTS**

2,727,640 A \* 12/1955 McClenny ..... A01D 76/006  
414/703  
4,032,184 A \* 6/1977 Blair ..... A01D 87/127  
294/119.1

(Continued)

**OTHER PUBLICATIONS**

Internet Printout; Skidsteer Dual Hay Spear bale spike skid steer case kubota 3,000 capacity; <http://www.rakuten.com/prod/276793693.html>; US.

(Continued)

*Primary Examiner* — Mark Goodwin

(74) *Attorney, Agent, or Firm* — Dennis D. Brown;  
Brown Patent Law, P.L.L.C.

(57) **CLAIM**

The ornamental design of the dual hay spear, as shown and described.

**DESCRIPTION**

FIG. 1 is a top perspective view illustrating my new design having dual hay spear elements thereof in a lowered position.

FIG. 2 is a front elevational view of my new design with the dual hay spear elements thereof in the lowered position.

FIG. 3 is a rear elevational view of my new design with the dual hay spear elements thereof in the lowered position.

FIG. 4 is a left side elevational view of my new design with the dual hay spear elements thereof in the lowered position.

FIG. 5 is a right side elevational view of my new design with the dual hay spear elements thereof in the lowered position.

FIG. 6 is a top plan view of my new design with the dual hay spear elements thereof in the lowered position.

FIG. 7 is a bottom view of my new design with the dual hay spear elements thereof in the lowered position.

FIG. 8 is a top perspective view of my new design with the dual hay spear elements thereof in a raised position.

FIG. 9 is a front elevational view of my new design with the dual hay spear elements thereof in the raised position.

FIG. 10 is a rear elevational view of my new design with the dual hay spear elements thereof in the raised position.

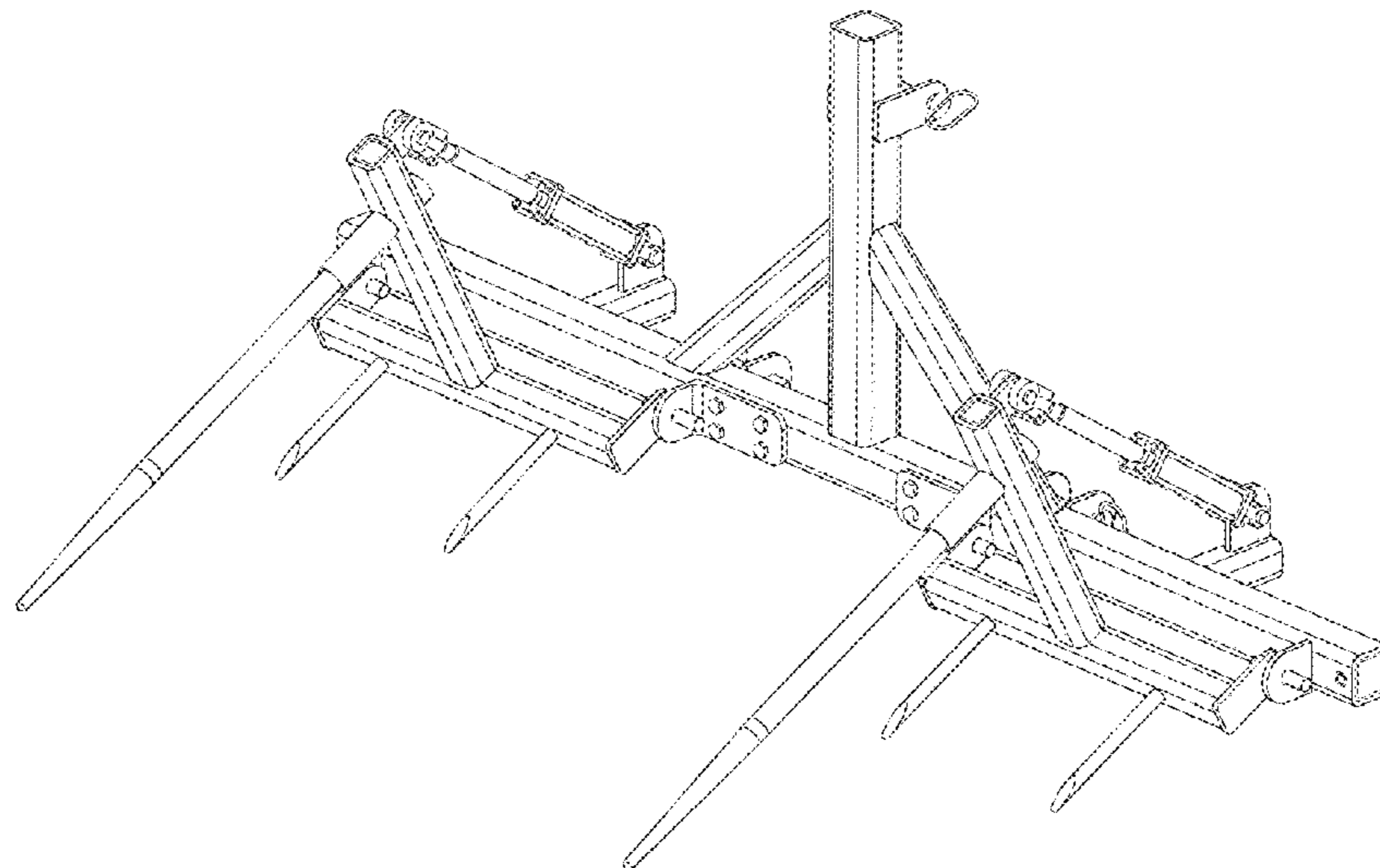
FIG. 11 is a left side elevational view of my new design with the dual hay spear elements thereof in the raised position.

FIG. 12 is a right side elevational view of my new design with the dual hay spear elements thereof in the raised position.

FIG. 13 is a top plan view of my new design with the dual hay spear elements thereof in the raised position; and,

FIG. 14 is a bottom view of my new design with the dual hay spear elements thereof in the raised position.

**1 Claim, 12 Drawing Sheets**



(56)

References Cited

U.S. PATENT DOCUMENTS

4,044,963 A \* 8/1977 Hostetler ..... A01D 87/127  
242/391.1  
4,299,522 A 11/1981 Barton et al.  
4,306,825 A 12/1981 Yilit  
4,411,571 A 10/1983 Gildon  
4,412,768 A 11/1983 Bauer et al.  
4,537,549 A \* 8/1985 Knels ..... A01D 87/08  
414/24.5  
5,106,253 A 4/1992 Wedin  
5,129,775 A \* 7/1992 Coats ..... A01D 87/127  
294/120  
5,150,999 A 9/1992 Dugan  
7,182,568 B2 \* 2/2007 McGinnes ..... A01D 87/127  
414/24.5  
7,753,636 B2 7/2010 Hennig  
7,963,734 B2 \* 6/2011 Bruha ..... A01D 87/122  
414/24.5  
8,444,362 B2 \* 5/2013 Hennig ..... A01D 87/127  
414/24.5  
D700,918 S \* 3/2014 Small ..... A01D 87/122  
D15/28  
8,764,369 B2 7/2014 Bowne  
9,210,843 B1 12/2015 Collom

9,232,695 B1 \* 1/2016 Hennig ..... A01D 87/127  
D749,648 S \* 2/2016 Jones, Sr. .... D15/28  
2003/0123956 A1 \* 7/2003 Noualy ..... A01D 87/127  
414/24.5  
2005/0074311 A1 \* 4/2005 Byrd ..... A01D 87/127  
414/24.5  
2010/0040436 A1 \* 2/2010 Bruha ..... A01D 87/122  
414/24.5  
2013/0236271 A1 \* 9/2013 Lehmann ..... A01D 87/127  
414/24.5  
2014/0212244 A1 7/2014 Meyer  
2016/0198633 A1 \* 7/2016 Machado ..... A01D 87/127  
414/24.5

OTHER PUBLICATIONS

Internet Printout; Bucket Spear; <http://www.swdistributing.com/product.aspx?id=1117>; 2015; US.  
Internet Printout; Titan Attachments John Deere Hay Spear Attachment bale spike tractor loader 200 300 400 500 series; Titan Distributors; <http://www.sears.com/titan-attachments-john-deere-hay-spear-attachment-bale/p-SPM8068936529?prdNo=8&blockNo=8&blockType=G8>; US.

\* cited by examiner

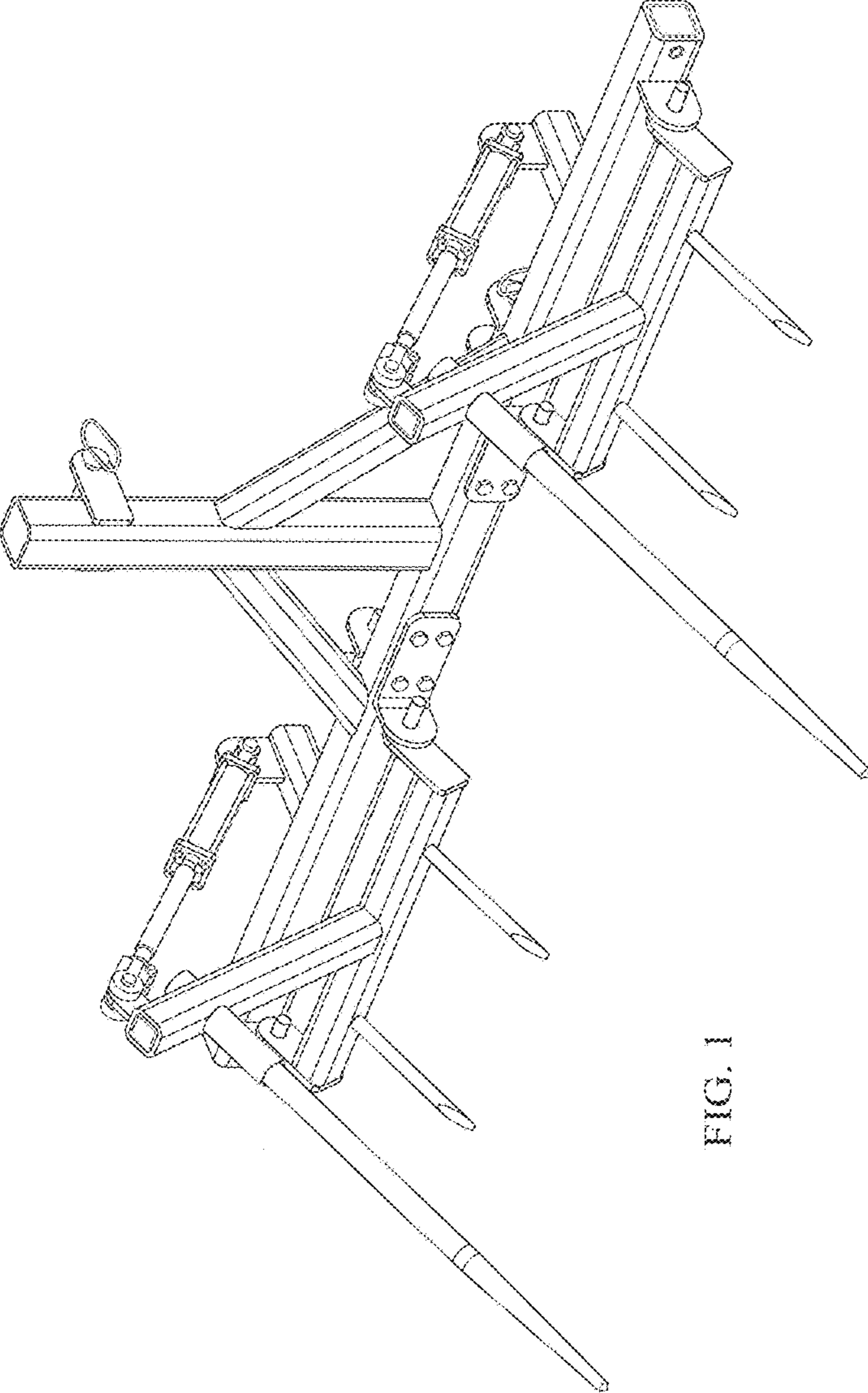


FIG. 1

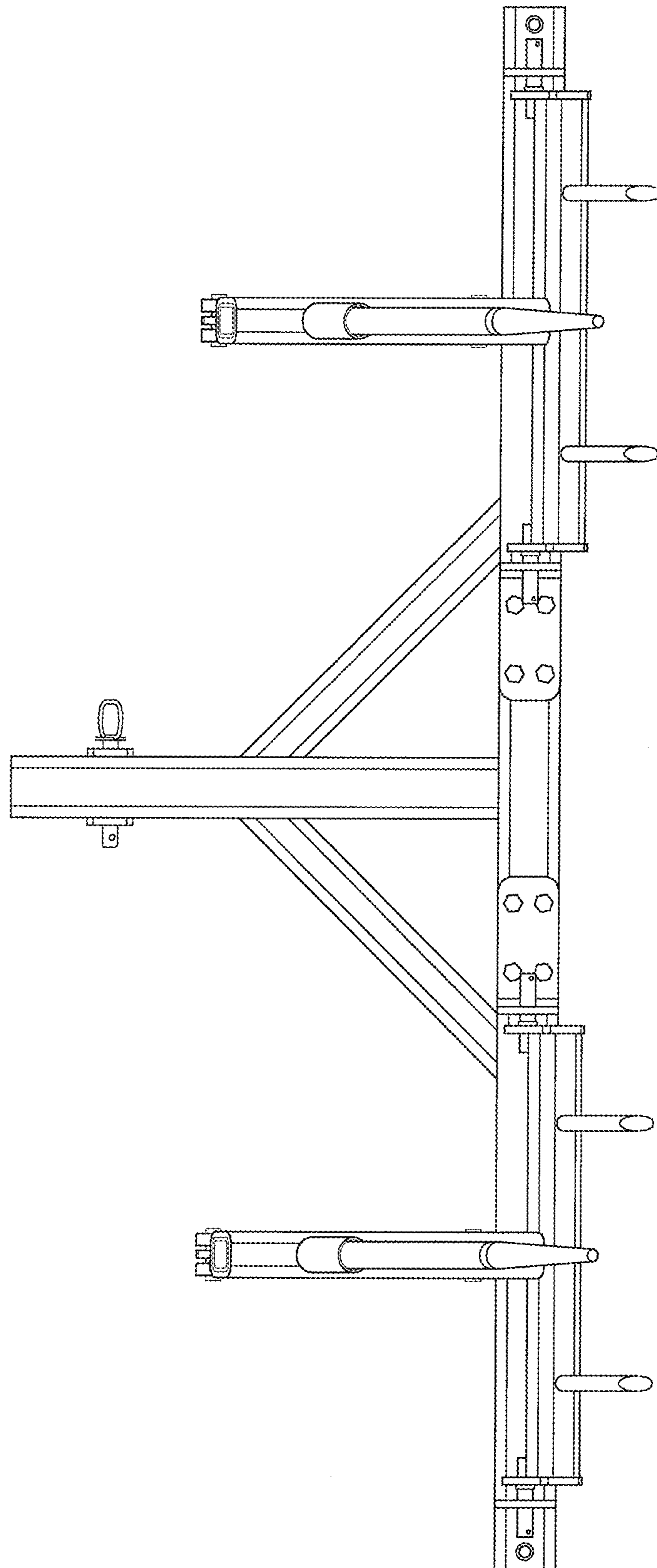
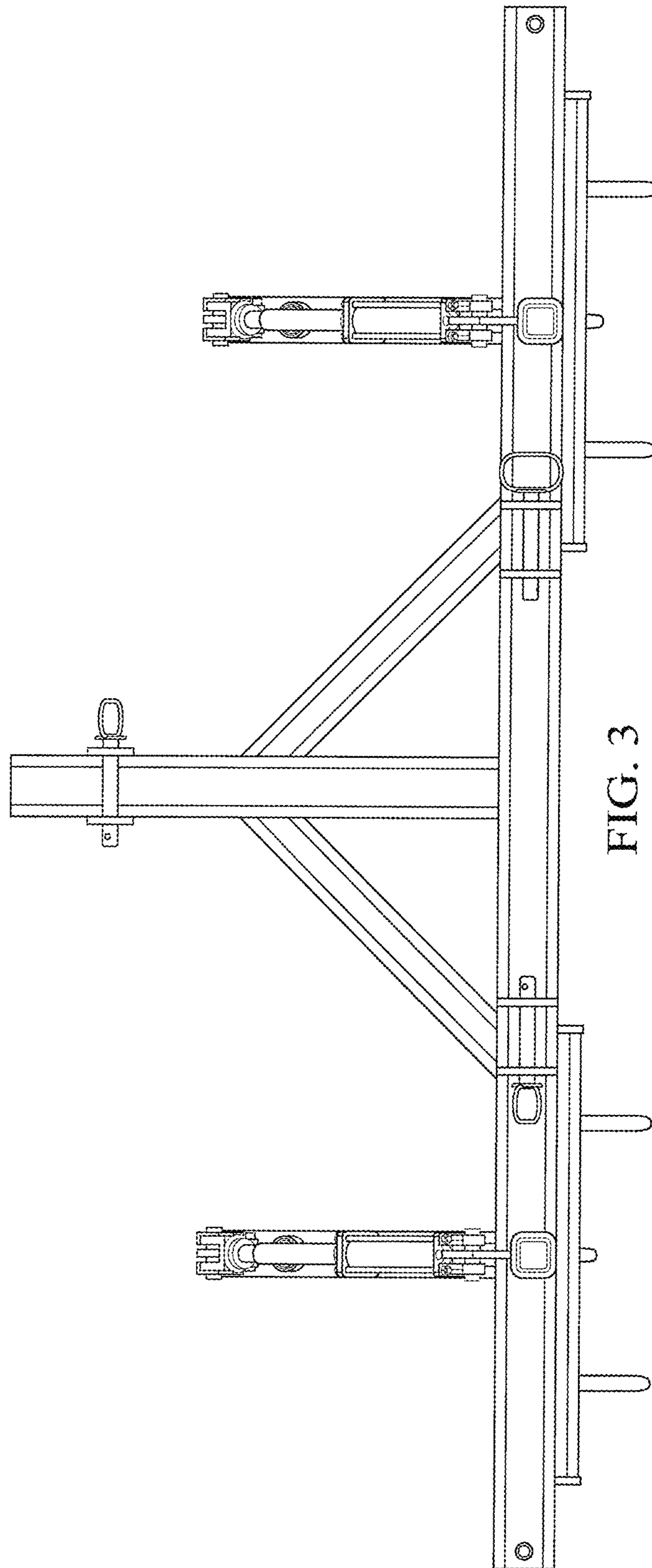


FIG. 2



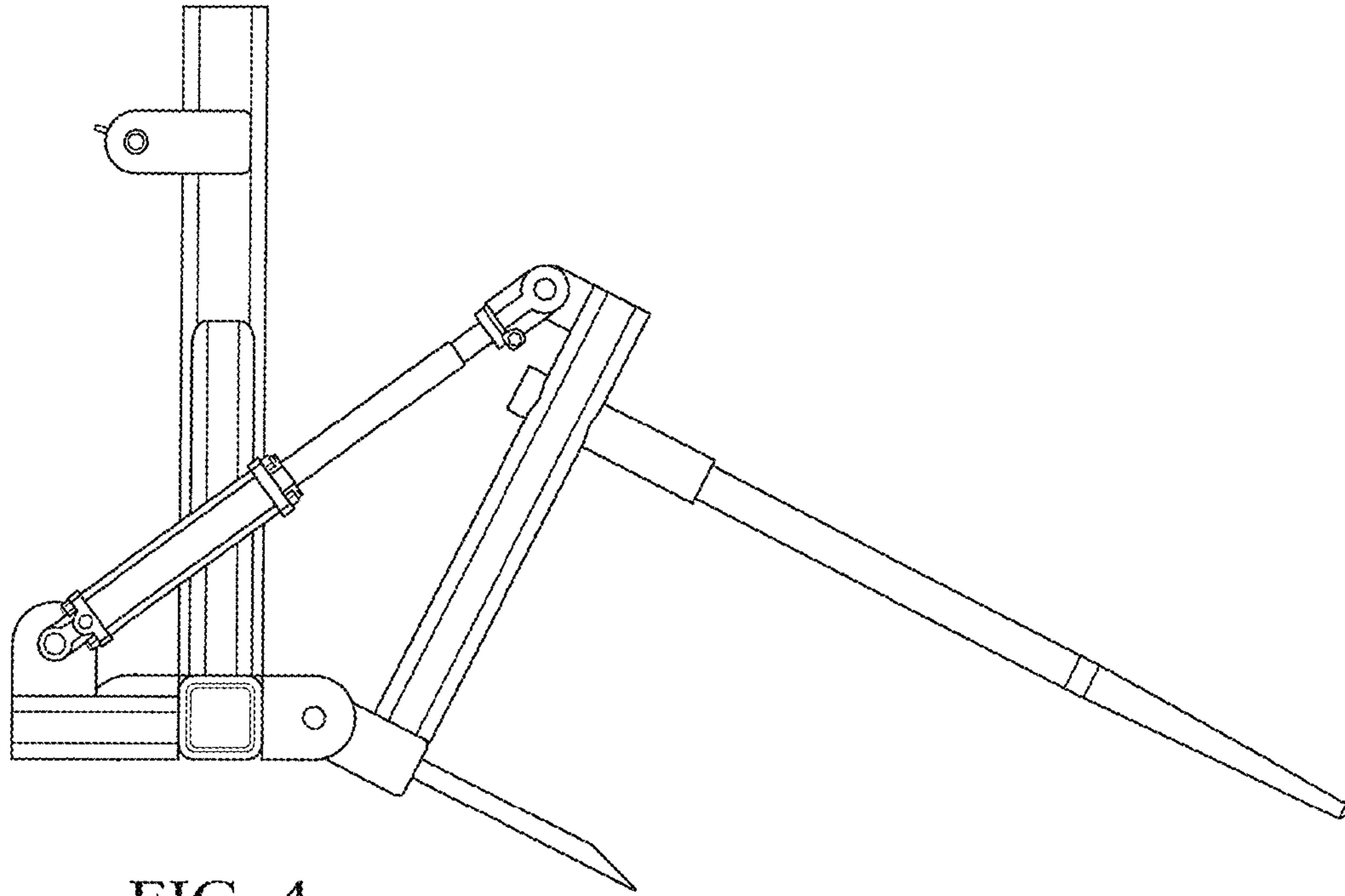


FIG. 4

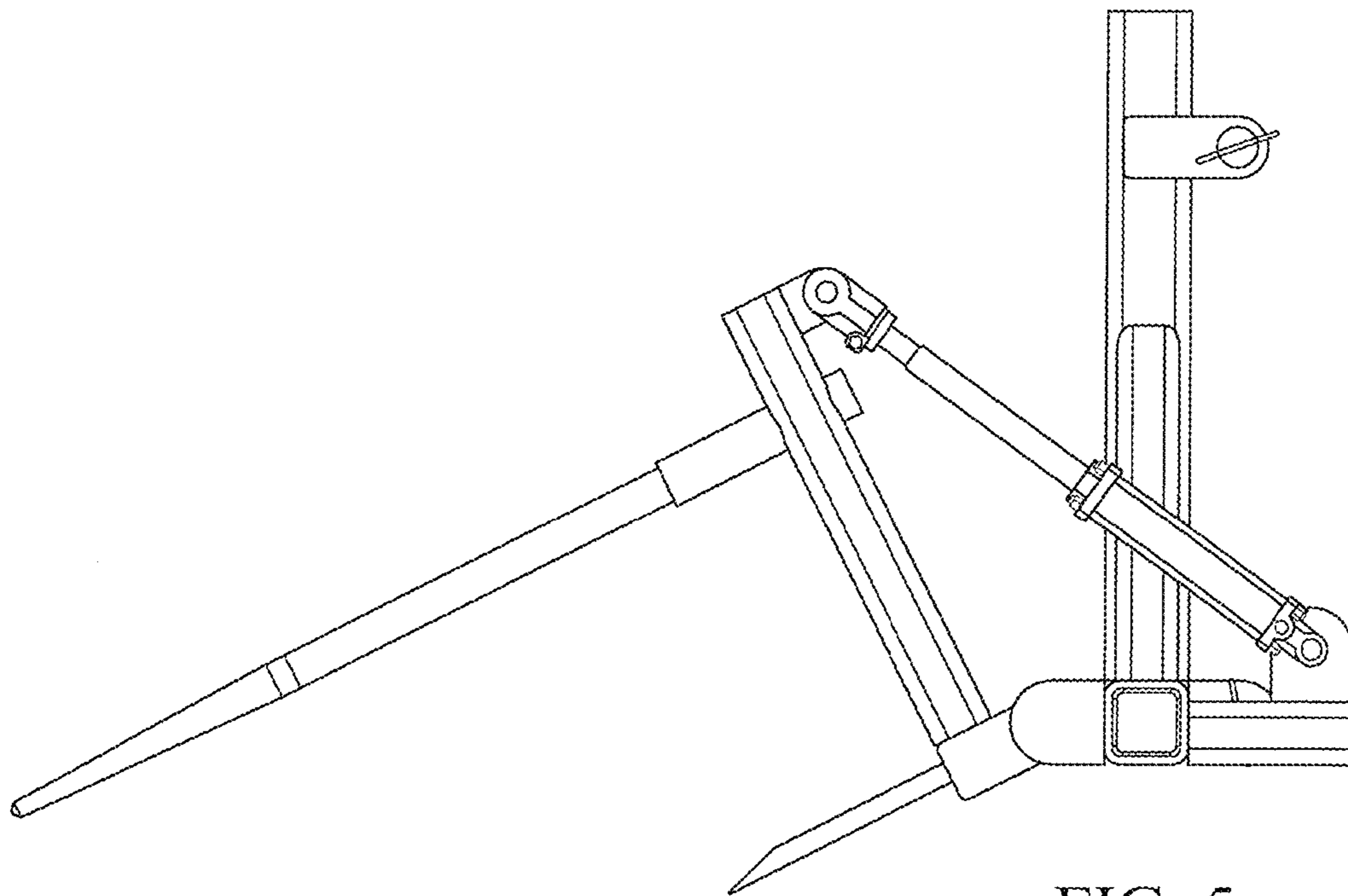


FIG. 5

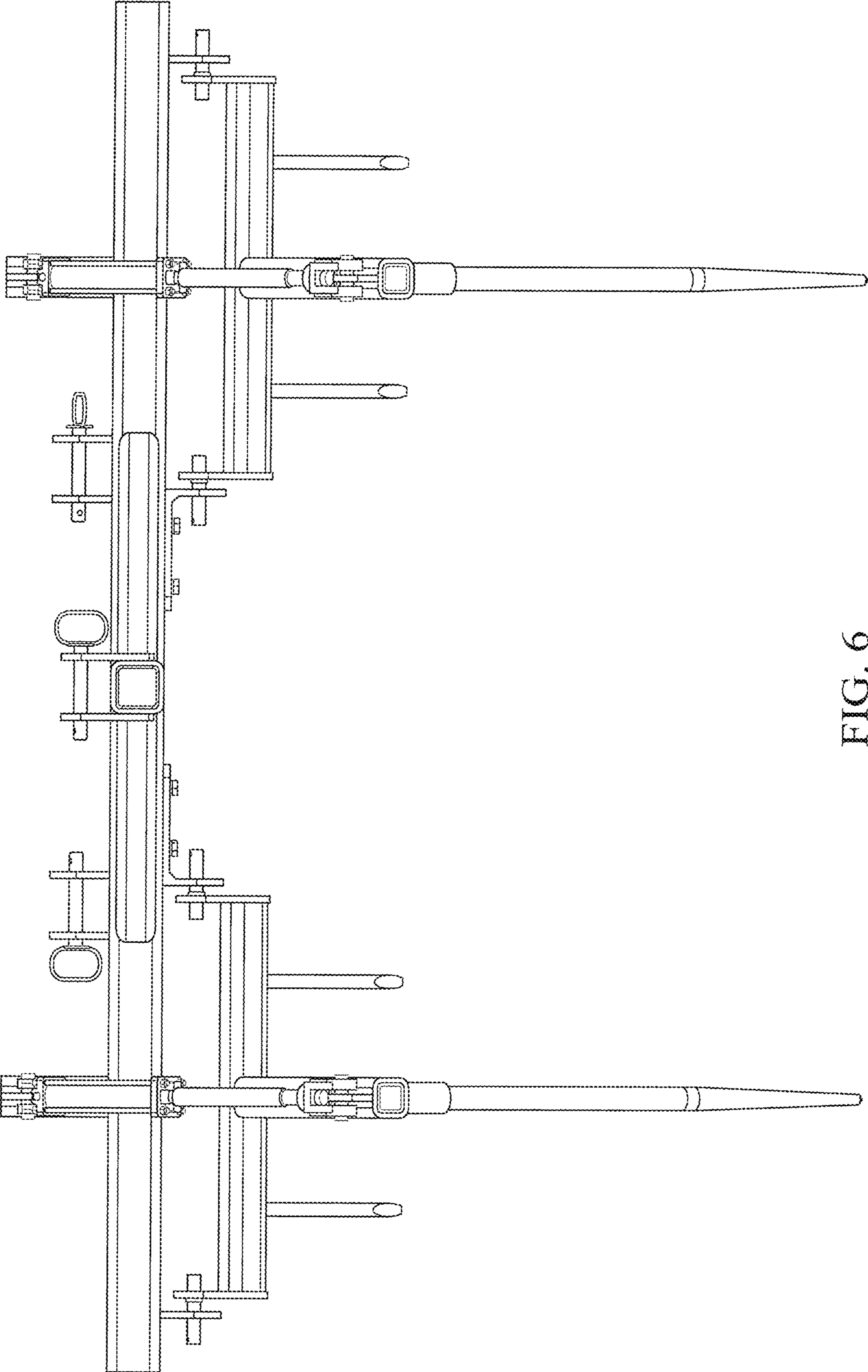


FIG. 6

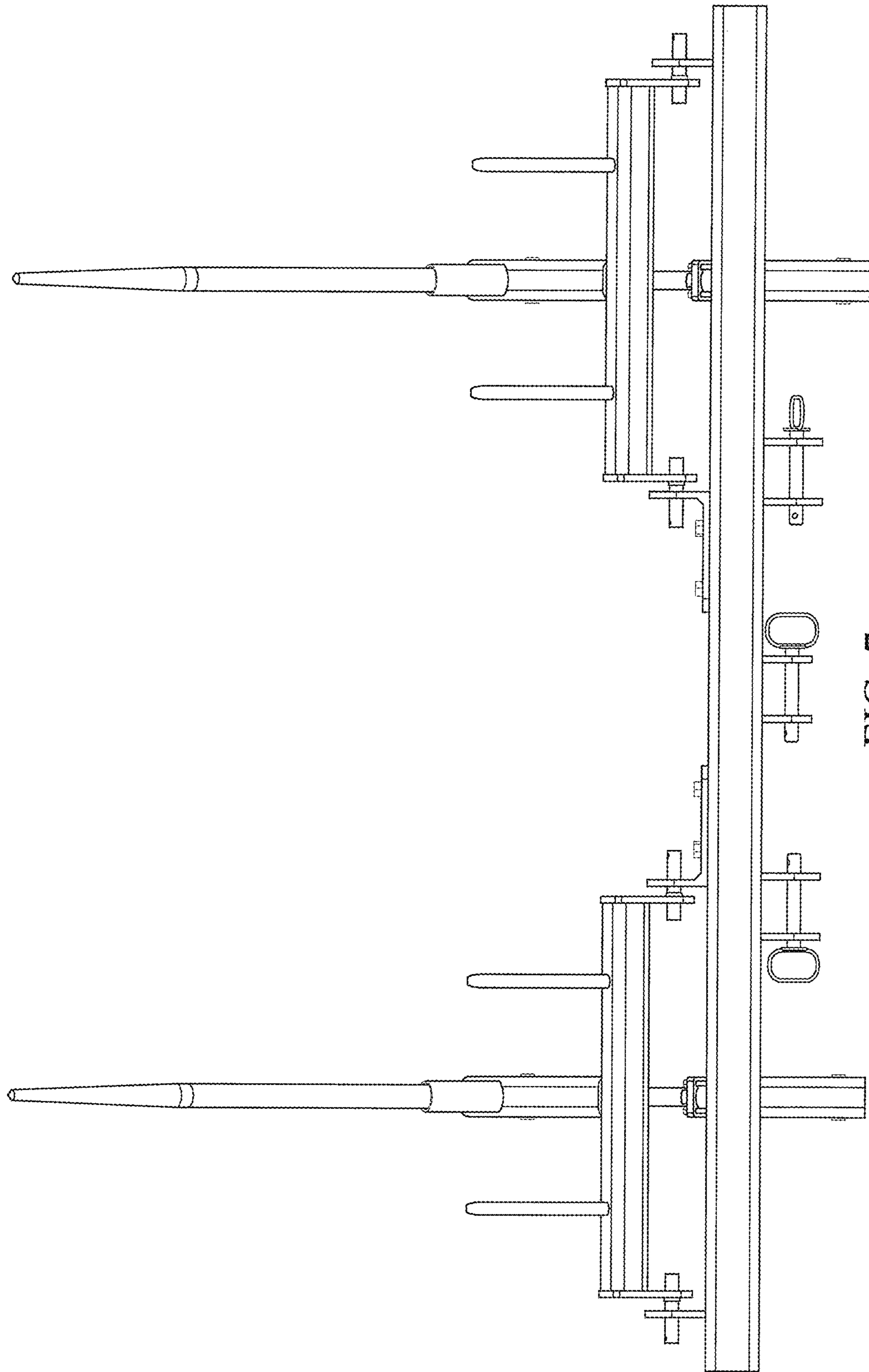


FIG. 7



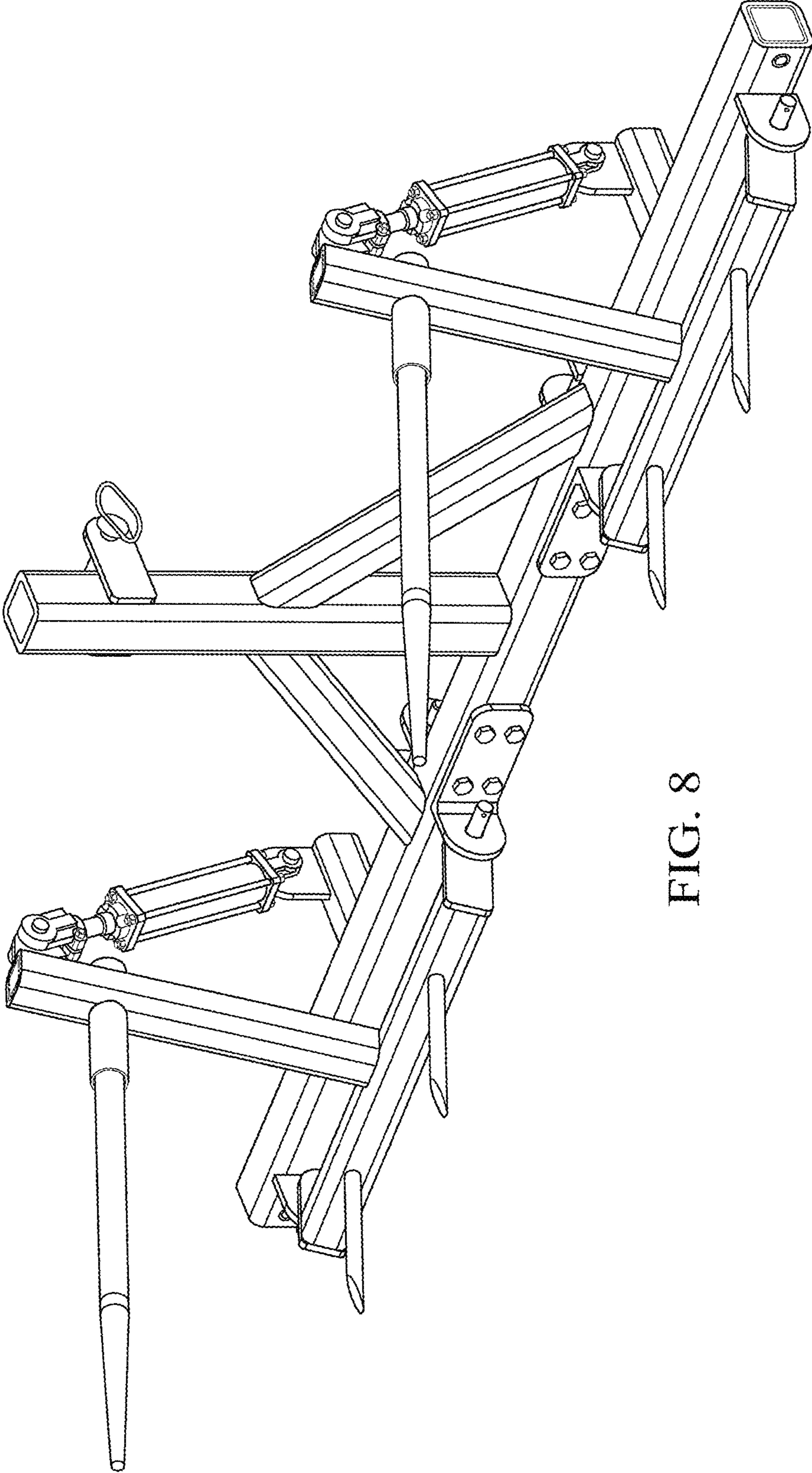


FIG. 8

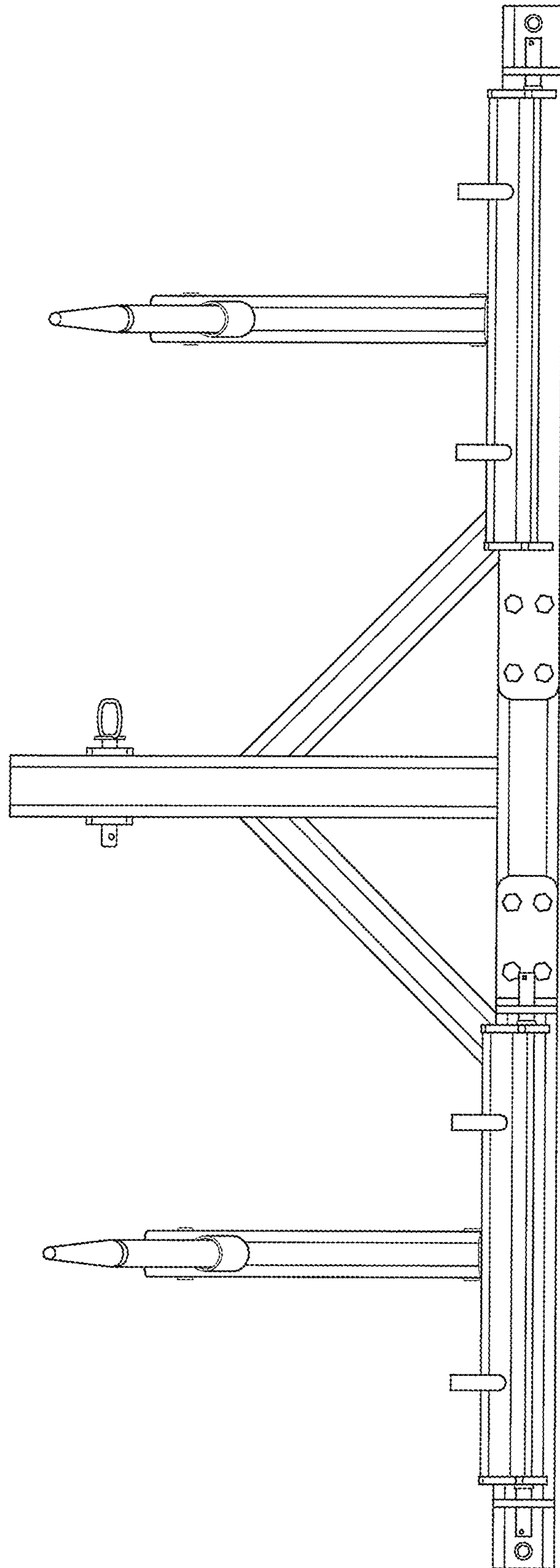


FIG. 9

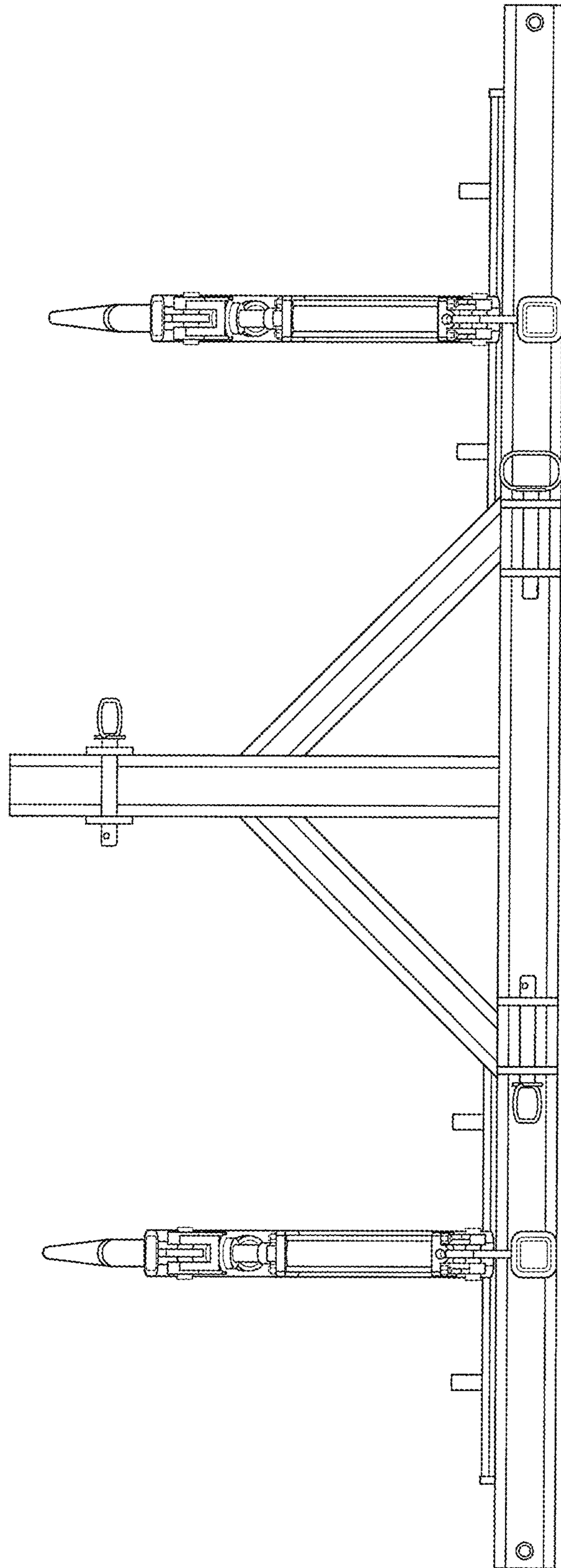


FIG. 10

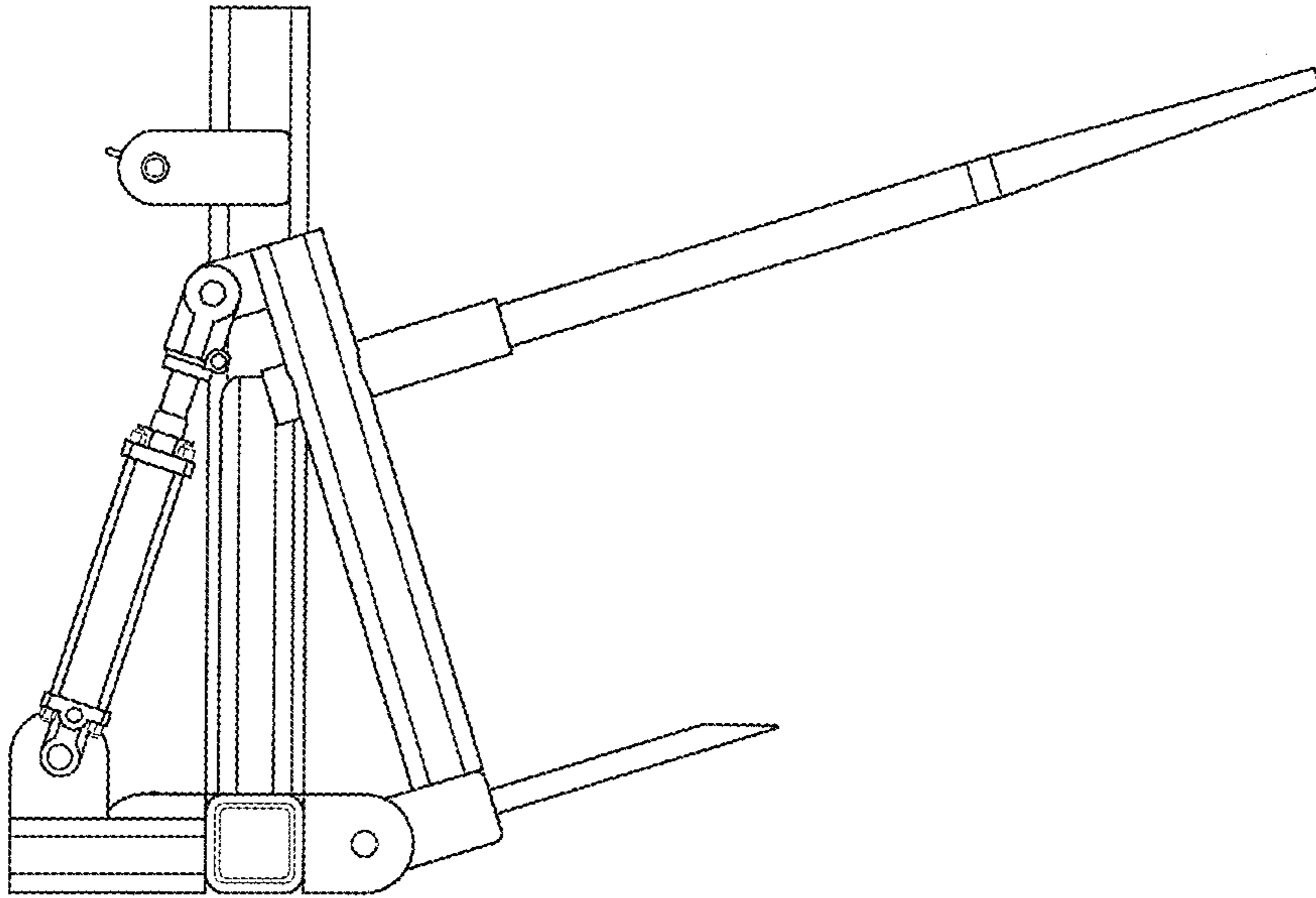


FIG. 11

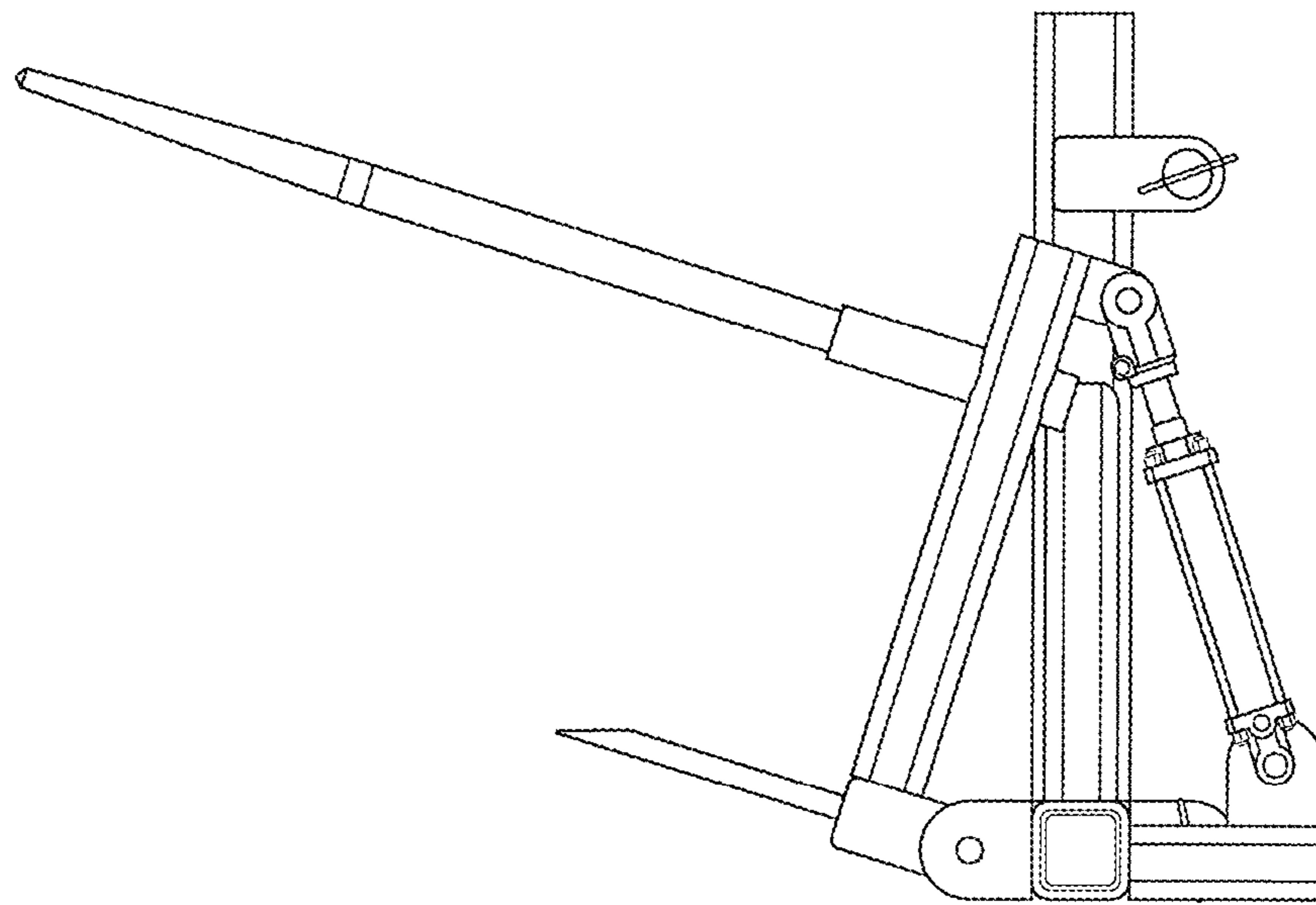


FIG. 12

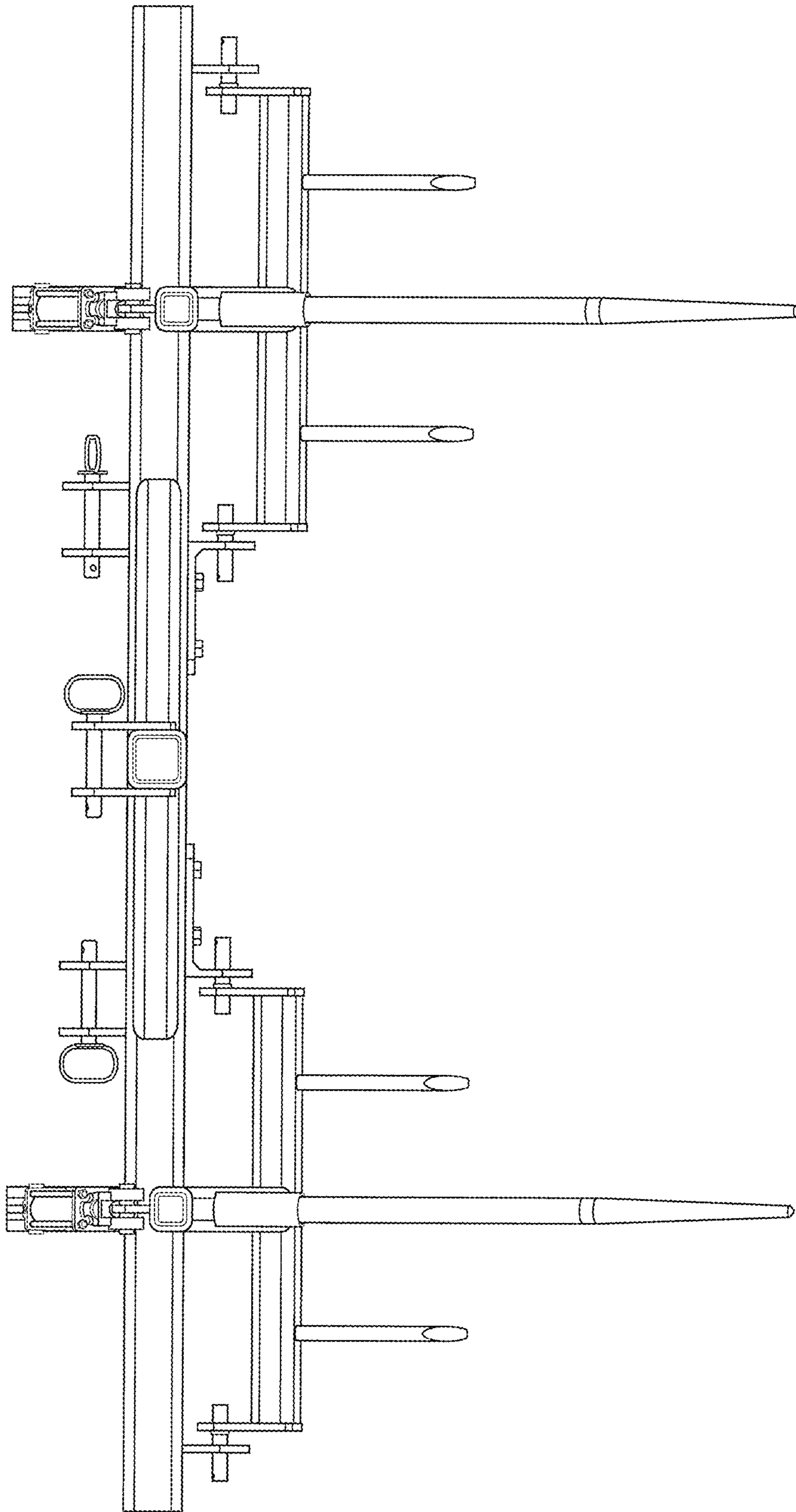


FIG. 13

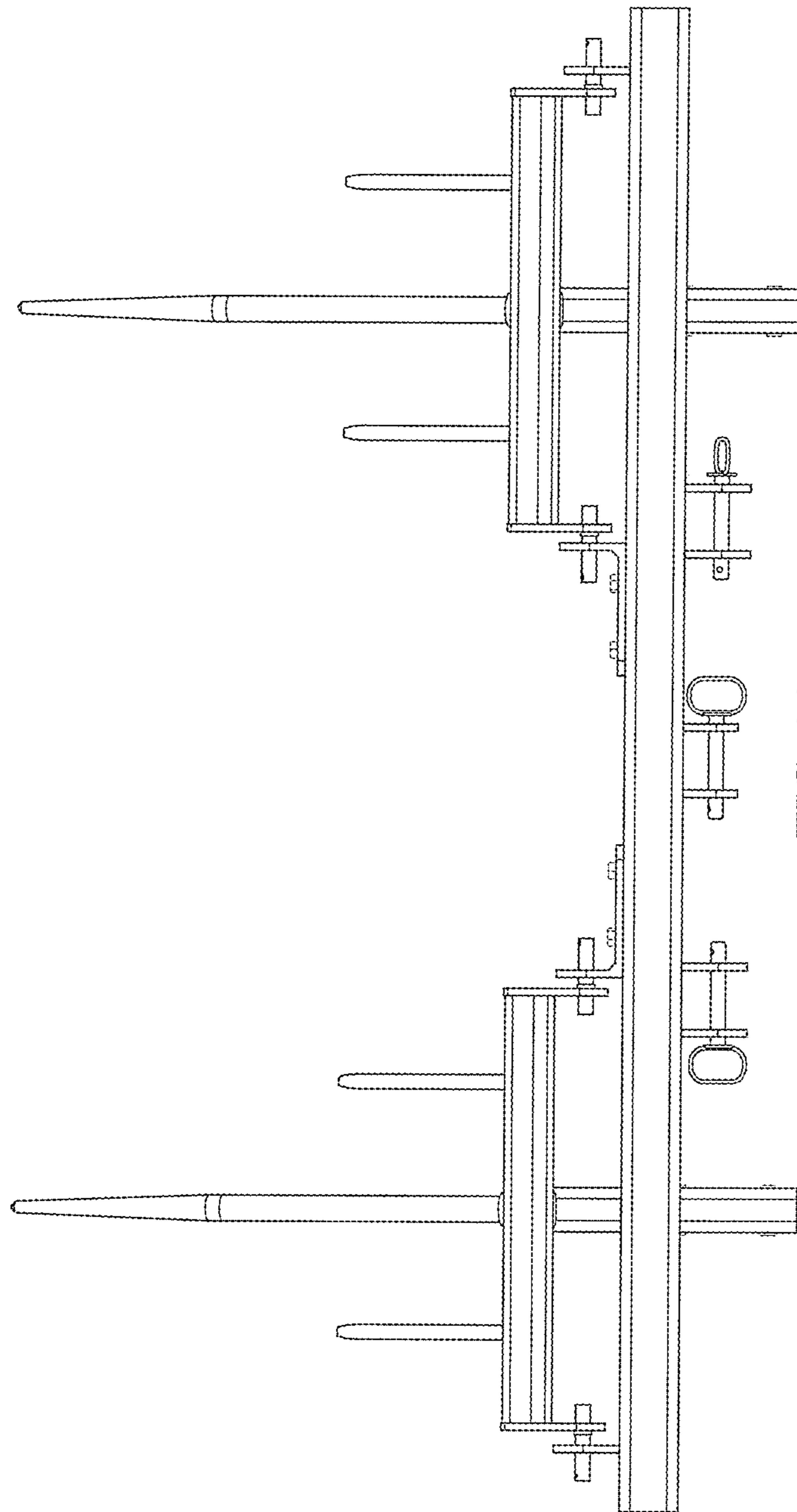


FIG. 14