



US00D786940S

(12) **United States Design Patent** (10) **Patent No.:** **US D786,940 S**
Dretzka et al. (45) **Date of Patent:** **** May 16, 2017**

(54) **SNOWTHROWER POWER HEAD**

FOREIGN PATENT DOCUMENTS

(71) Applicant: **THE TORO COMPANY**,
Bloomington, MN (US)

WO WO 2010/095234 A1 8/2010
WO WO 2013/173338 A1 11/2013

(72) Inventors: **Philip C. Dretzka**, Woodbury, MN (US); **David J. Martin**, Eden Prairie, MN (US); **Nathan J. Friberg**, Bloomington, MN (US); **Nicholas J. Wersal**, St. Louis Park, MN (US); **Derek S. Duchscherer**, Bloomington, MN (US)

OTHER PUBLICATIONS

U.S. Appl. No. 14/457,740, filed Nov. 19, 2014, Friberg et al.
(Continued)

(73) Assignee: **The Toro Company**, Bloomington, MN (US)

Primary Examiner — Ian Simmons
Assistant Examiner — Khawaja Anwar
(74) *Attorney, Agent, or Firm* — Mueting, Raasch & Gebhardt, P.A.

(**) Term: **15 Years**

(57) **CLAIM**

The ornamental design for a snowthrower power head, as shown and described.

(21) Appl. No.: **29/539,493**

(22) Filed: **Sep. 15, 2015**

DESCRIPTION

(51) **LOC (10) Cl.** **15-03**

(52) **U.S. Cl.**
USPC **D15/11**

(58) **Field of Classification Search**
USPC D15/10, 11, 12, 17, 18, 27, 28
CPC E01H 5/06; E01H 5/061; E01H 5/066;
E01H 5/02; E01H 5/065; E01H 5/062;
E01H 5/045; E01H 5/063; E01H 1/0818;
E01H 1/101; E01H 5/076; E01H 1/00;
E01H 1/056; E01H 5/04; E01H 5/067;
E01H 1/05; E01H 1/0809
See application file for complete search history.

FIG. 1 is a left front perspective view of a snowthrower power head showing our new design; FIG. 2 is right rear perspective view of the design of FIG. 1; FIG. 3 is a right rear perspective view of the design of FIG. 1, with unclaimed environment removed; FIG. 4 is a right side elevation view of the design of FIG. 1; FIG. 5 is a left side elevation view of the design of FIG. 1; FIG. 6 is a front elevation view of the design of FIG. 1; FIG. 7 is a rear elevation view of the design of FIG. 1; FIG. 8 is a rear elevation view of the design of FIG. 1, with unclaimed environment removed; and, FIG. 9 is a top plan view of the design of FIG. 1.

(56) **References Cited**

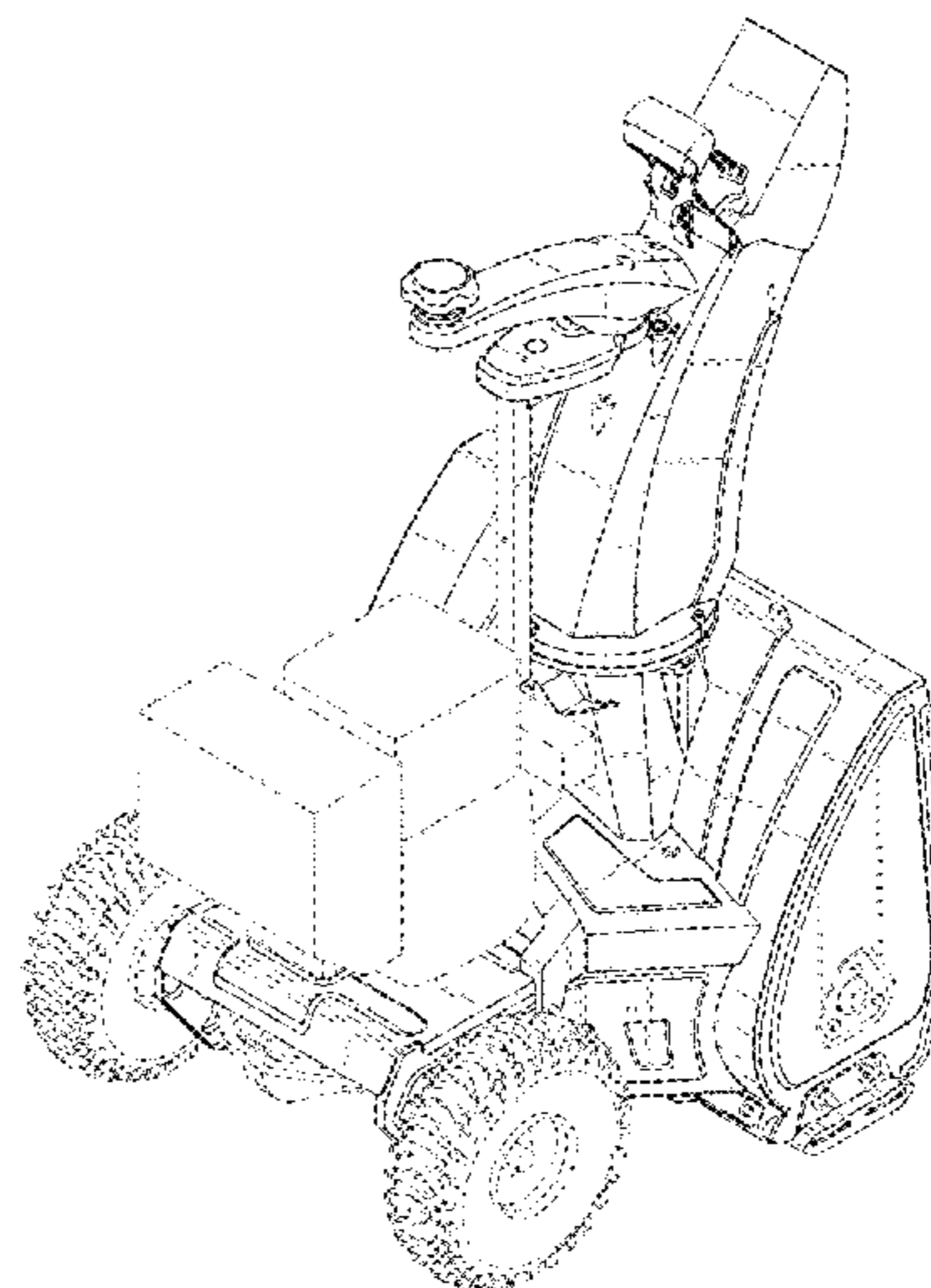
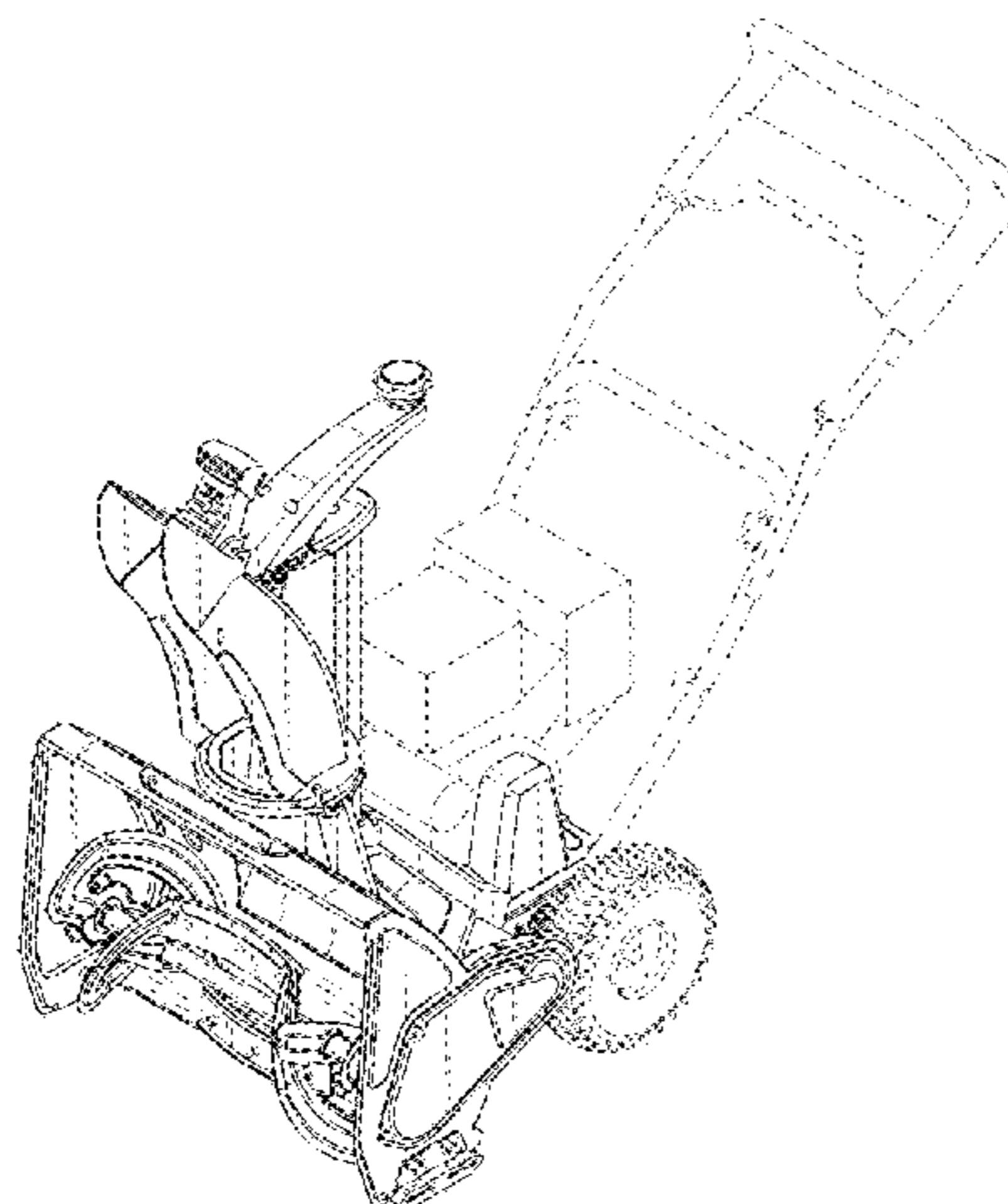
U.S. PATENT DOCUMENTS

1,601,718 A 10/1926 Buttweiler
2,103,510 A 12/1937 Brown
2,735,199 A 2/1956 Wanner et al.
2,768,453 A 10/1956 Adams, Jr.

The dash-dash broken lines shown in the drawings represent unclaimed environment and form no part of the claimed design.

The dot-dash broken lines shown in FIGS. 3 and 8 represent boundaries between claimed and unclaimed subject matter and form no part of the claimed design.

1 Claim, 9 Drawing Sheets



(56)

References Cited

U.S. PATENT DOCUMENTS

3,115,714 A 12/1963 Johann
 3,213,552 A 10/1965 Vanvick
 3,239,954 A 3/1966 Brier
 3,253,356 A 5/1966 Haban
 3,359,661 A 12/1967 Speiser et al.
 3,363,345 A 1/1968 Ober
 3,423,857 A 1/1969 Ibisch
 3,452,460 A 7/1969 Cope et al.
 3,468,041 A 9/1969 Mattson et al.
 3,488,869 A 1/1970 Heth et al.
 3,548,522 A 12/1970 Roper
 3,603,008 A 9/1971 Heth
 3,774,321 A 11/1973 David
 D229,848 S * 1/1974 Mittelstadt et al. D15/12
 3,913,247 A 10/1975 Ruhl
 4,068,397 A 1/1978 Bacon
 D251,786 S 5/1979 Wildgen
 4,190,972 A 3/1980 Berner
 4,203,237 A 5/1980 Enters et al.
 D260,898 S 9/1981 Chieda et al.
 4,294,027 A 10/1981 Edwards
 4,295,285 A 10/1981 Stevens
 4,300,295 A 11/1981 Heismann
 D262,797 S 1/1982 Arthur et al.
 4,322,896 A 4/1982 Miyazawa et al.
 4,325,195 A 4/1982 Comer
 4,346,526 A 8/1982 Mattson et al.
 4,360,983 A 11/1982 Krug
 D267,953 S 2/1983 Berner
 4,378,644 A 4/1983 Tuggle et al.
 D269,092 S 5/1983 Davies, III
 D270,057 S 8/1983 Nakamura
 4,397,088 A 8/1983 Hampel
 4,476,643 A 10/1984 Hilchey et al.
 D278,537 S 4/1985 Krapowicz et al.
 4,694,594 A 9/1987 Thorud et al.
 4,756,101 A 7/1988 Friberg et al.
 4,862,607 A 9/1989 Wacker
 D305,125 S 12/1989 Hinklin
 4,899,471 A 2/1990 Sasaki et al.
 4,908,968 A 3/1990 Thorud et al.
 D307,912 S 5/1990 Yoshida et al.
 4,951,403 A 8/1990 Olmr
 D314,775 S 2/1991 Yoshida et al.
 RE33,726 E 10/1991 Thorud et al.
 D320,993 S 10/1991 Pink et al.
 5,052,135 A 10/1991 Fontaine
 5,083,387 A 1/1992 Tillotson et al.
 D324,524 S 3/1992 Beihoffer
 D326,457 S 5/1992 Pink et al.
 5,127,174 A 7/1992 Takeshita
 5,177,888 A 1/1993 Thorud et al.
 5,315,771 A 5/1994 White, III et al.
 5,398,431 A 3/1995 Beihoffer et al.
 5,758,436 A 6/1998 Harms
 5,966,846 A 10/1999 Harms et al.
 6,170,179 B1 1/2001 Paytas et al.
 D448,389 S 9/2001 Katoh et al.

6,327,798 B1 12/2001 Sakai et al.
 D457,171 S 5/2002 Fowler
 6,470,602 B2 10/2002 White, III et al.
 6,745,548 B1 6/2004 Phillip et al.
 D494,193 S 8/2004 Martin et al.
 D498,770 S 11/2004 Yuzuriha
 D500,053 S 12/2004 Yuzuriha et al.
 6,865,826 B1 3/2005 Lakin
 D519,127 S 4/2006 Shaffer et al.
 7,032,333 B2 4/2006 Friberg et al.
 D521,530 S * 5/2006 Cohen D15/12
 D524,824 S 7/2006 Shaffer et al.
 7,257,909 B2 8/2007 Shaffer et al.
 D554,155 S 10/2007 Yuzuriha
 7,305,777 B2 12/2007 Kettering et al.
 7,401,425 B2 7/2008 Friberg et al.
 7,472,500 B2 1/2009 White, III
 D603,428 S 11/2009 Tashiro et al.
 7,624,521 B2 12/2009 White, III et al.
 D642,595 S 8/2011 Martin et al.
 D642,596 S 8/2011 Hinklin et al.
 8,011,120 B1 9/2011 Hipple
 D675,232 S 1/2013 Martin et al.
 D676,876 S 2/2013 Martin et al.
 D700,629 S 3/2014 Fujiki
 D705,272 S * 5/2014 Cmich D15/11
 9,096,980 B2 8/2015 Ricketts
 9,096,981 B2 8/2015 Wians et al.
 D743,445 S * 11/2015 Cohen D15/12
 2002/0020083 A1 2/2002 White, III et al.
 2002/0170209 A1 11/2002 Ruebusch et al.
 2003/0159317 A1 8/2003 Dowe et al.
 2003/0226738 A1 12/2003 Eakins et al.
 2004/0255492 A1 12/2004 White, III et al.
 2008/0209771 A1 9/2008 Jerger
 2013/0312566 A1 11/2013 Shaffer
 2014/0068976 A1 3/2014 Mast et al.
 2014/0157633 A1 6/2014 Hansen et al.
 2014/0237864 A1 8/2014 Gilpatrick et al.

OTHER PUBLICATIONS

U.S. Appl. No. 14/547,812, filed Nov. 19, 2014, Friberg.
 U.S. Appl. No. 14/547,653, filed Nov. 19, 2014, Duchscherer et al.
 U.S. Appl. No. 29/539,495, filed Sep. 15, 2015, Martin et al.
 U.S. Appl. No. 29/541,333, filed Oct. 2, 2015, Martin et al.
 “Snowhound® 20” Snow Thrower: Reference Drawing and Parts List, Serial Nos. 31300-500001 & Up, 31300-600001 & Up, and 31300-700001 & Up; Toro Manufacturing Corporation, Minneapolis, MN. 1963; 8 pages.
 “Power Clear 721 R Snowthrower, Model No. 38741—Serial No. 315000001 and Up;” The Toro Company, Bloomington, MN. Form #3385-217 Rev A. 2014; 28 pages.
 “Toro® Electric Snowthrowers: 1800 Power Curve®, 1200 Power Curve®, Electric Power Shovel™,” The Toro Company, Bloomington, MN. Form #490-5760-C. 1995; 2 pages.
 “Electric Snow Thrower—Model 050,” MTD LLC, Cleveland, OH. Operator’s Manual, Form #769-07058. Apr. 1, 2011, 20 pages.

* cited by examiner

Fig. 1

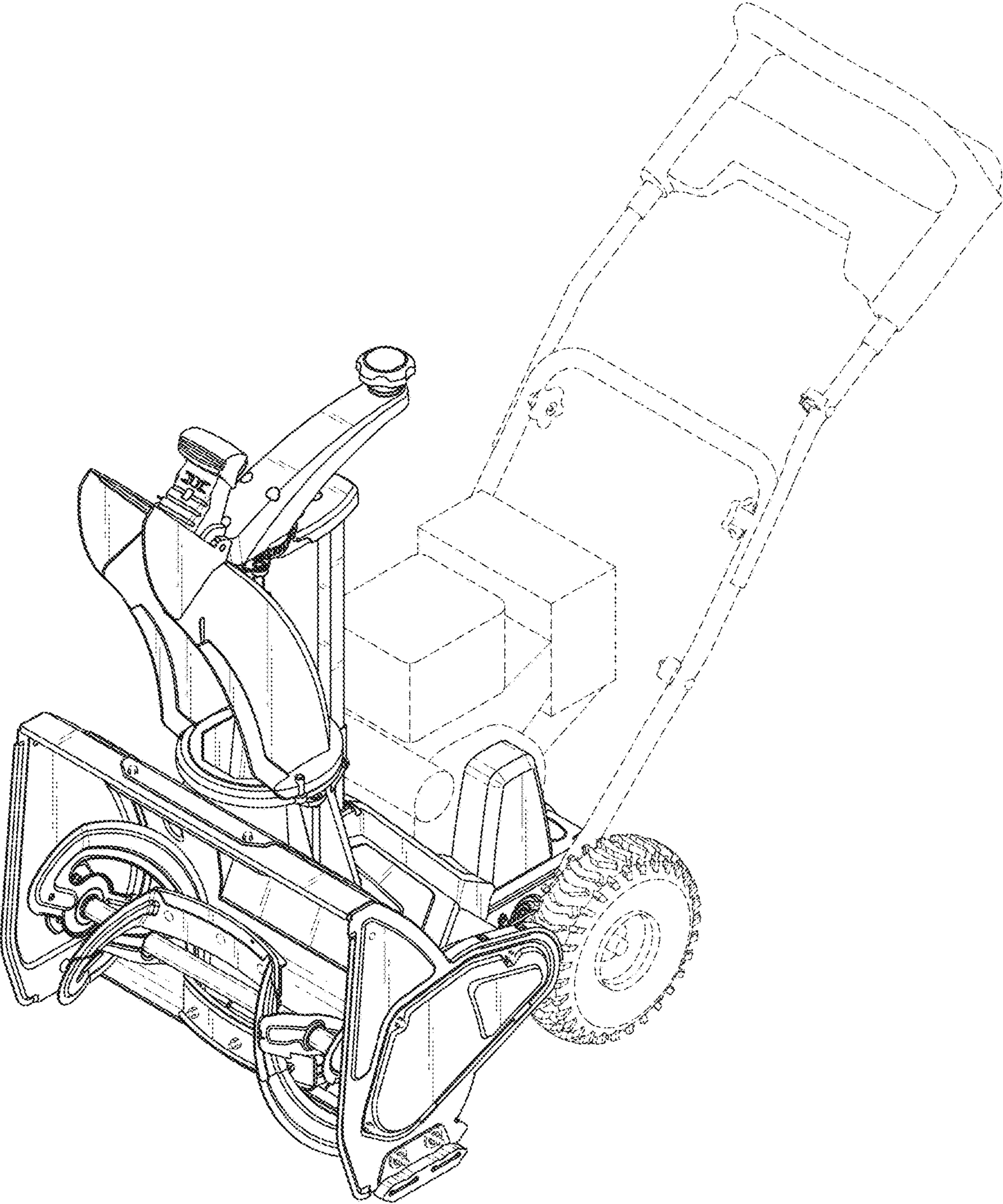


Fig. 2

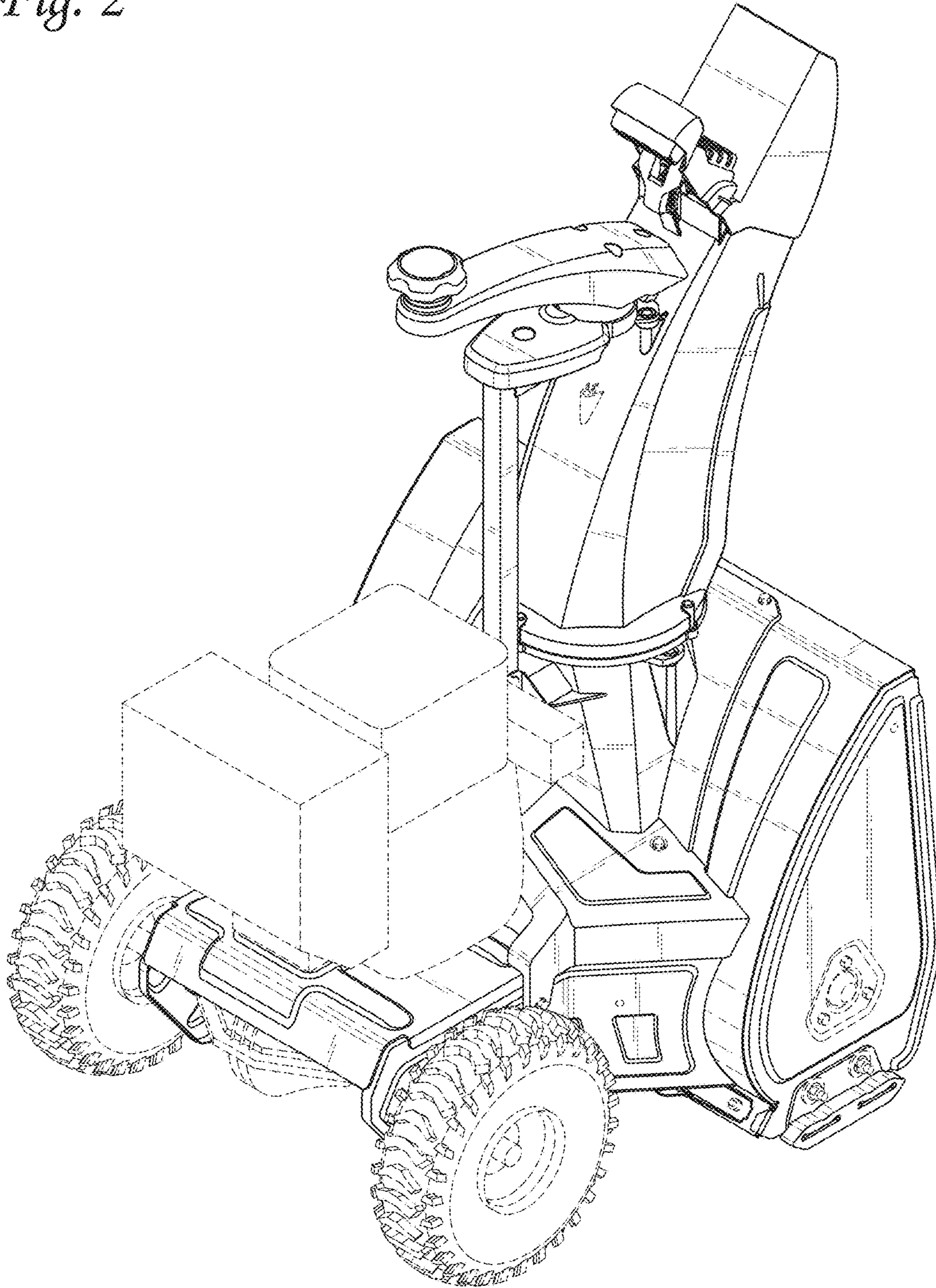


Fig. 3



Fig. 4

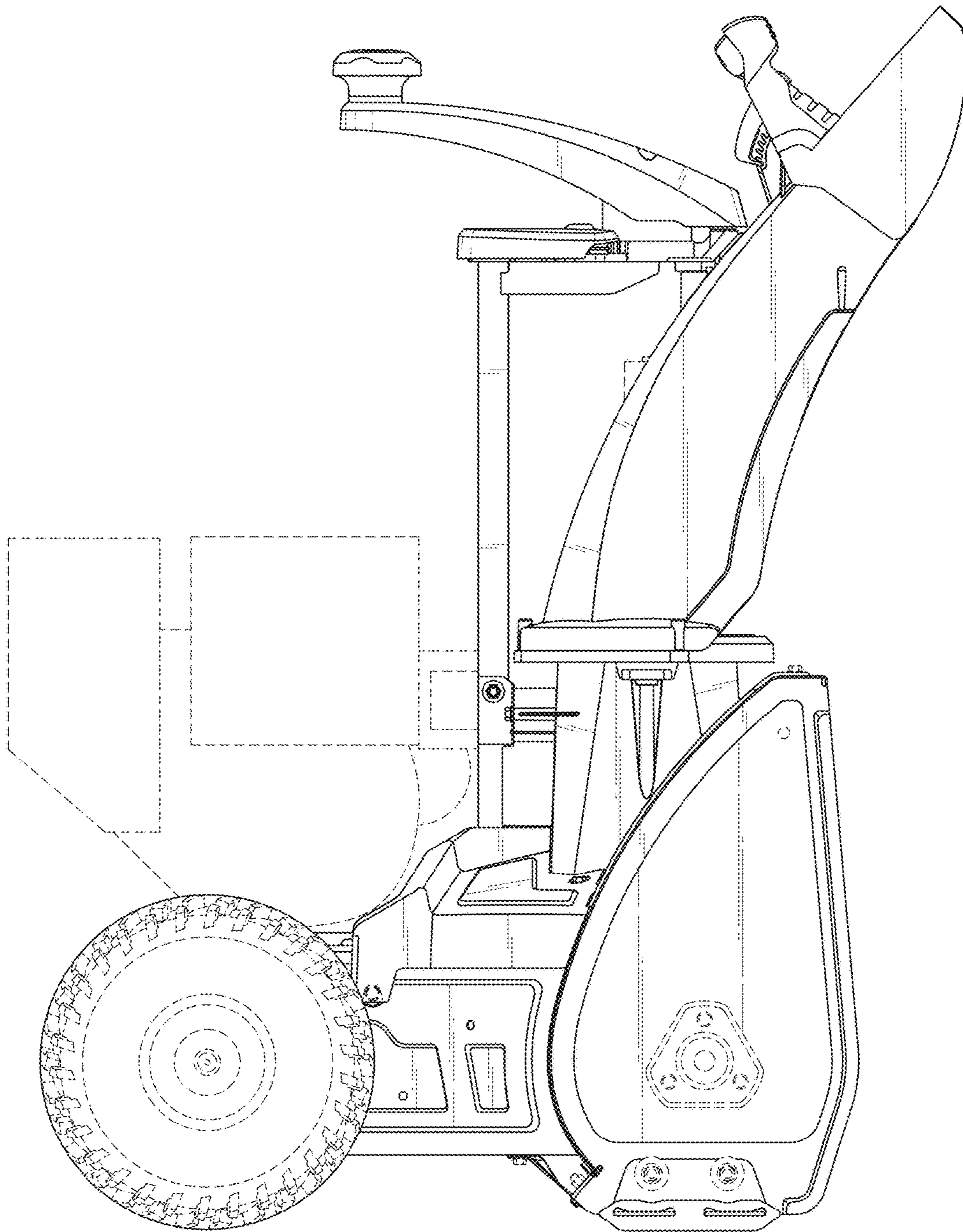


Fig. 5

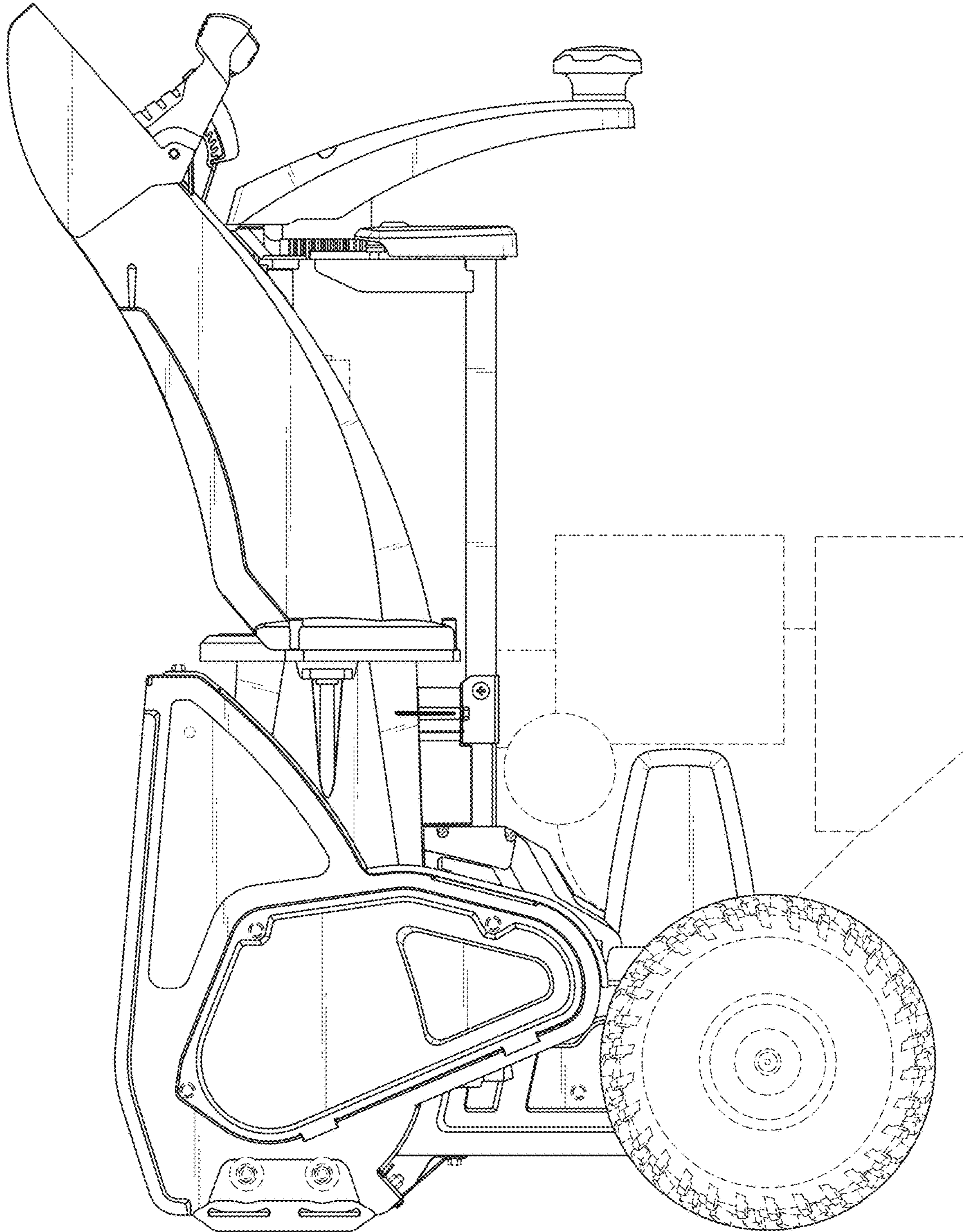


Fig. 6

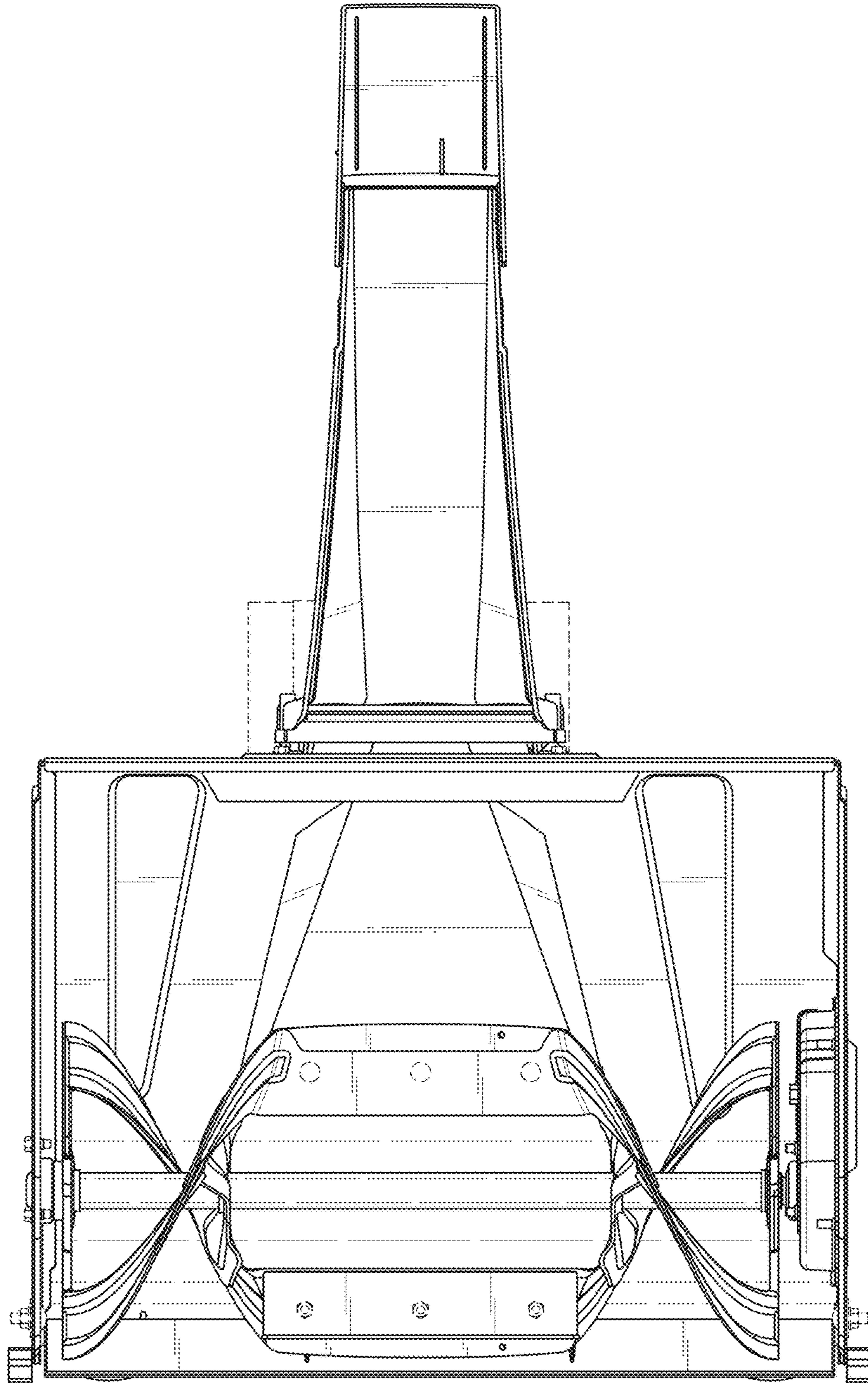


Fig. 7

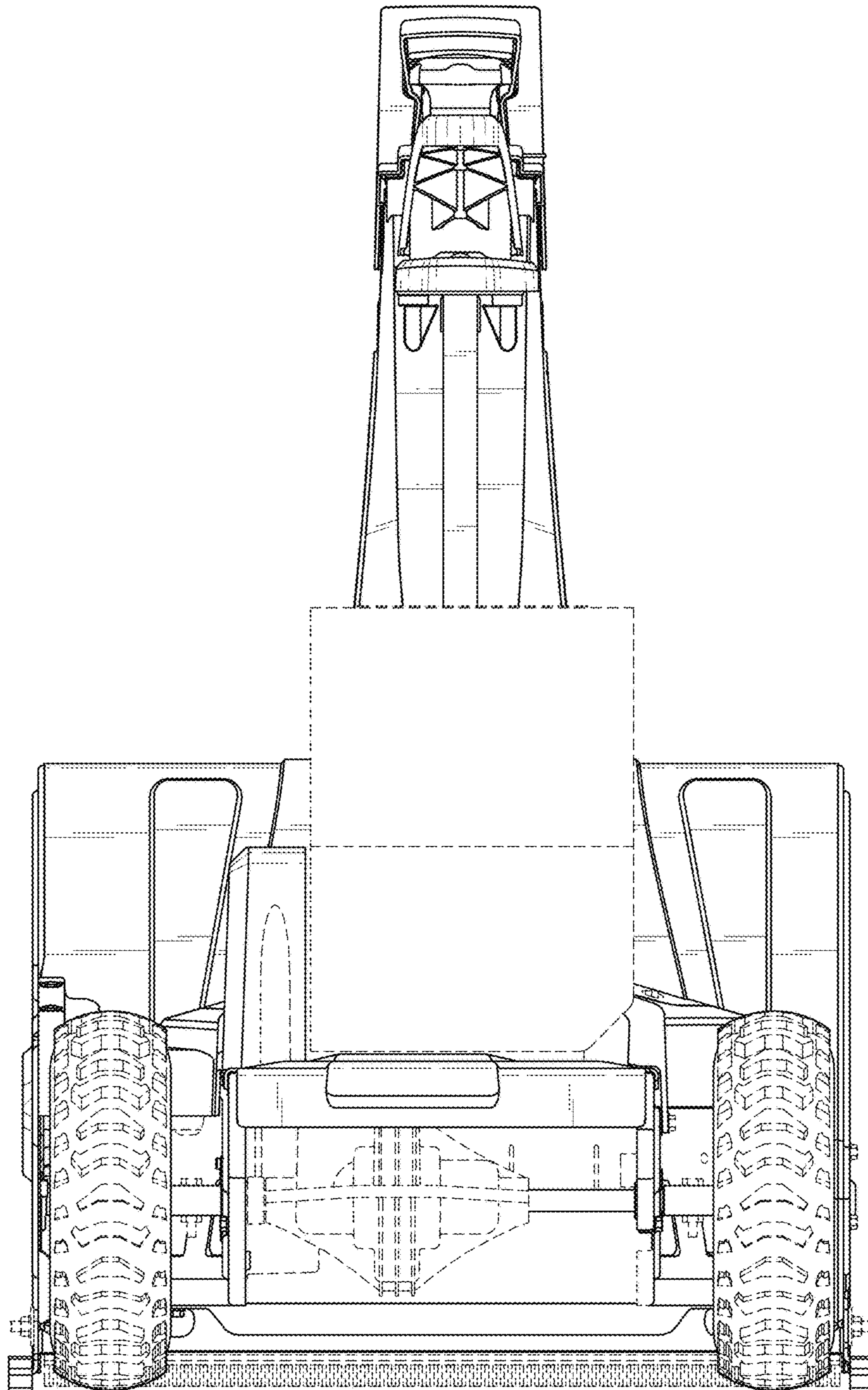


Fig. 8

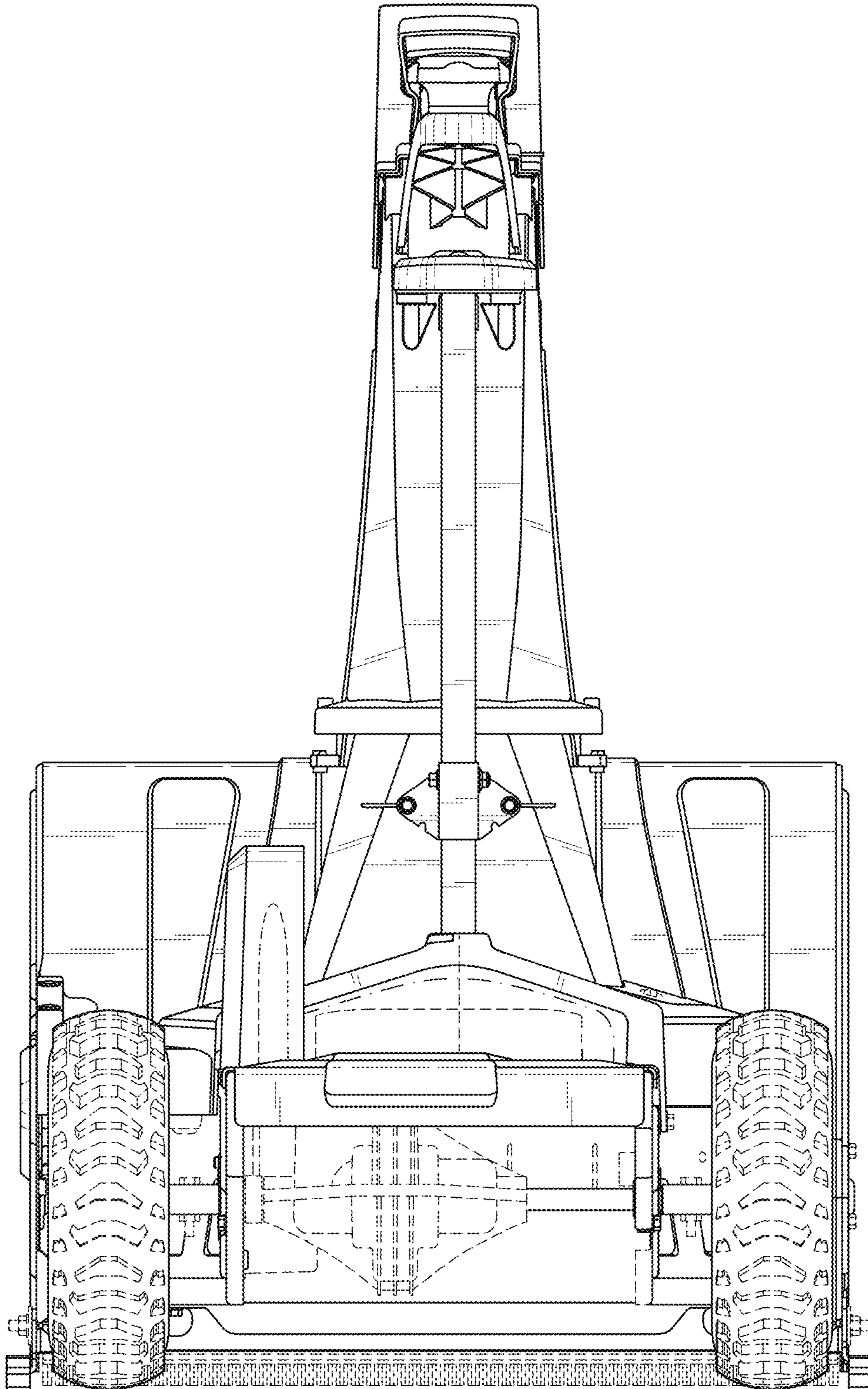
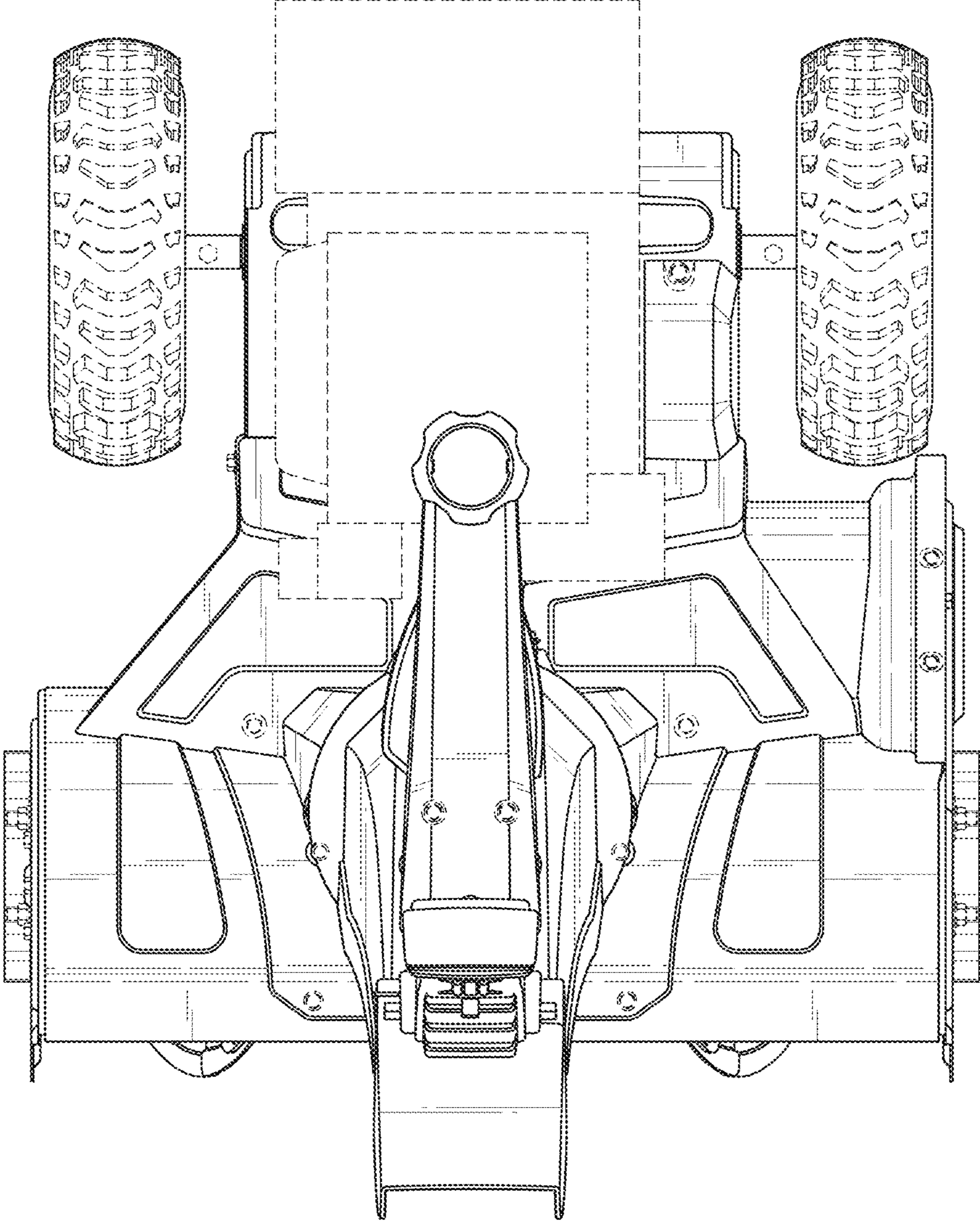


Fig. 9



UNITED STATES PATENT AND TRADEMARK OFFICE
CERTIFICATE OF CORRECTION

PATENT NO. : D786,940 S
APPLICATION NO. : 29/539493
DATED : May 16, 2017
INVENTOR(S) : Dretzka et al.

Page 1 of 1

It is certified that error appears in the above-identified patent and that said Letters Patent is hereby corrected as shown below:

On the Title Page

OTHER PUBLICATIONS, -U.S. Appl. No. 14/457,740- should read -U.S. Appl. No. 14/547,740-

Signed and Sealed this
Twenty-sixth Day of December, 2017



Joseph Matal

*Performing the Functions and Duties of the
Under Secretary of Commerce for Intellectual Property and
Director of the United States Patent and Trademark Office*